



US00D516329S

(12) **United States Design Patent**  
**Baeriswyl**

(10) **Patent No.:** **US D516,329 S**  
(45) **Date of Patent:** **\*\* Mar. 7, 2006**

(54) **CHAIR**

(75) Inventor: **Florin Baeriswyl, Zurich (CH)**

(73) Assignee: **I.S.E.A. Baggio SPA, Zane (IT)**

(\*\*) Term: **14 Years**

(21) Appl. No.: **29/181,414**

(22) Filed: **May 12, 2003**

(30) **Foreign Application Priority Data**

Nov. 20, 2002 (WO) ..... DM/062 001

(51) **LOC (8) Cl.** ..... **06-01**

(52) **U.S. Cl.** ..... **D6/366**

(58) **Field of Classification Search** ..... D6/334,  
D6/364, 365, 366, 367, 379, 380, 500-502;  
297/411.2

See application file for complete search history.

(56) **References Cited**

**U.S. PATENT DOCUMENTS**

D188,656 S \* 8/1960 Wagner ..... D6/366

D194,741 S \* 3/1963 Deaton ..... D6/366  
D394,962 S \* 6/1998 Diramarian ..... D6/366  
D395,172 S \* 6/1998 Pate ..... D6/366  
D395,173 S \* 6/1998 Pate ..... D6/366

\* cited by examiner

*Primary Examiner*—Mimosa De

(74) *Attorney, Agent, or Firm*—Dykema Gossett, PLLC.

(57) **CLAIM**

The ornamental design for a chair, as shown and described.

**DESCRIPTION**

FIG. 1 is a front view of the chair according to the invention.

FIG. 2 is a rear view of the chair.

FIG. 3 is a right side view of the chair.

FIG. 4 is a left side view of the chair.

FIG. 5 is a top plan view of the chair.

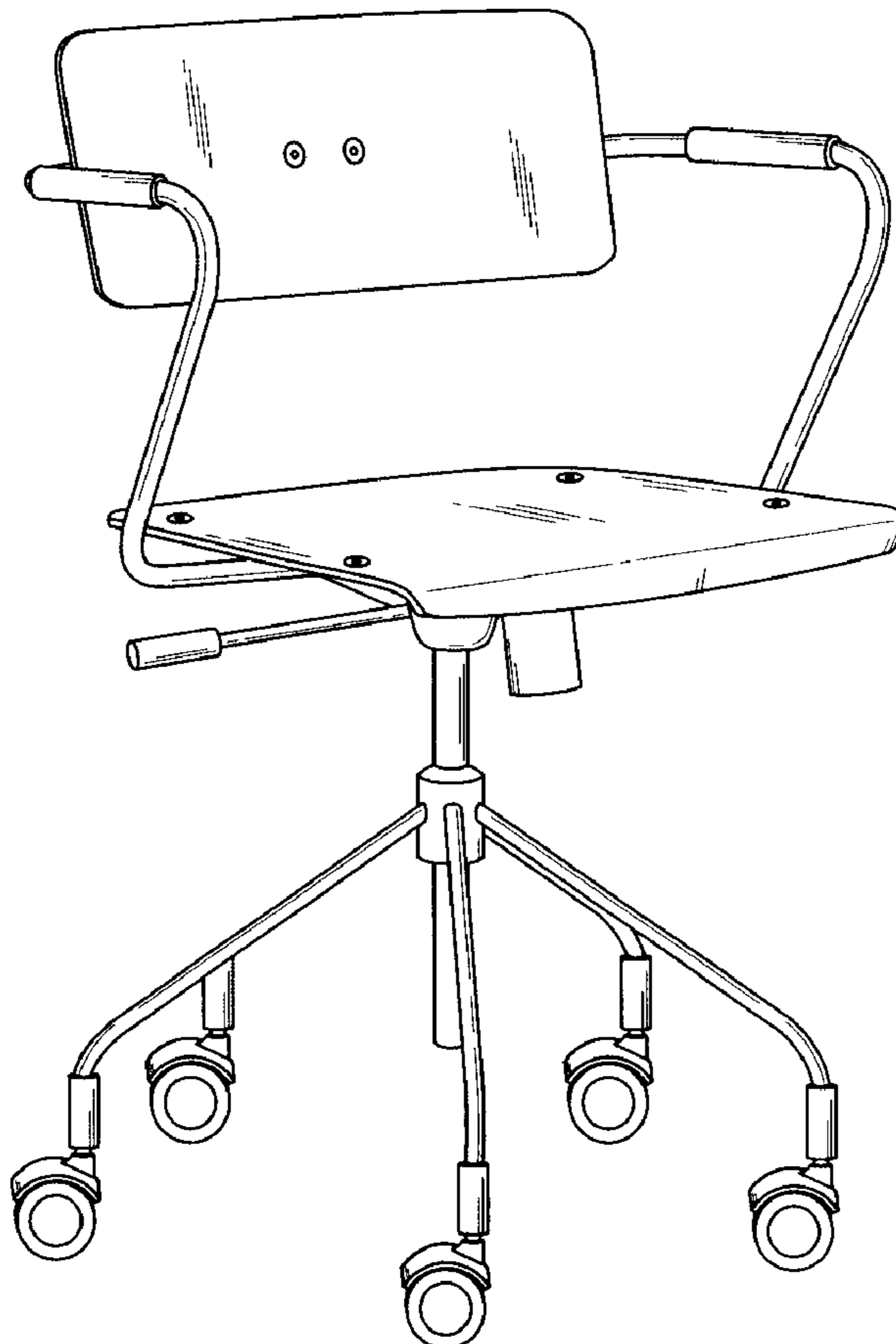
FIG. 6 is a bottom view of the chair.

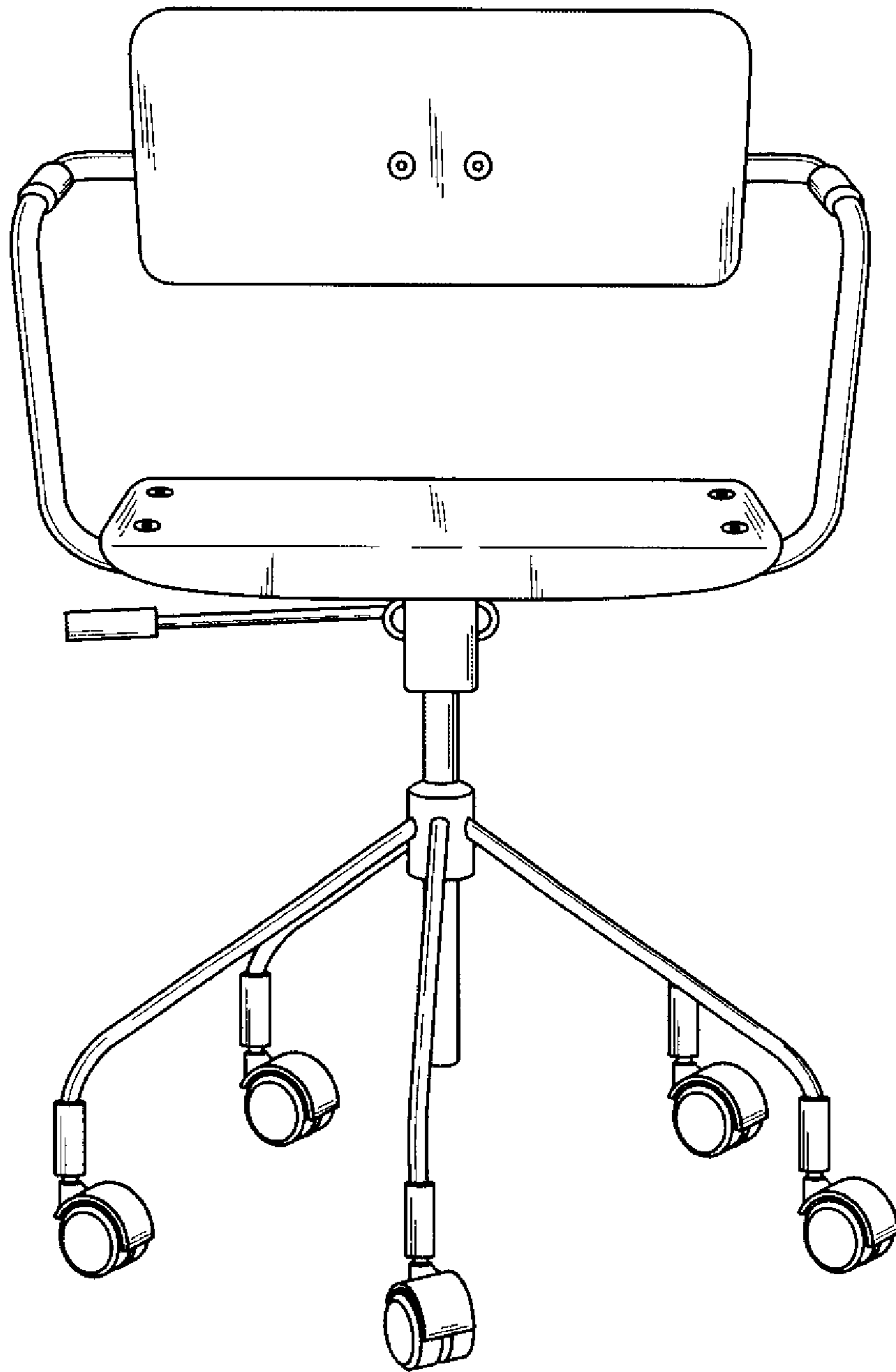
FIG. 7 is a front perspective view of the chair.

FIG. 8 is a rear perspective view of the chair; and,

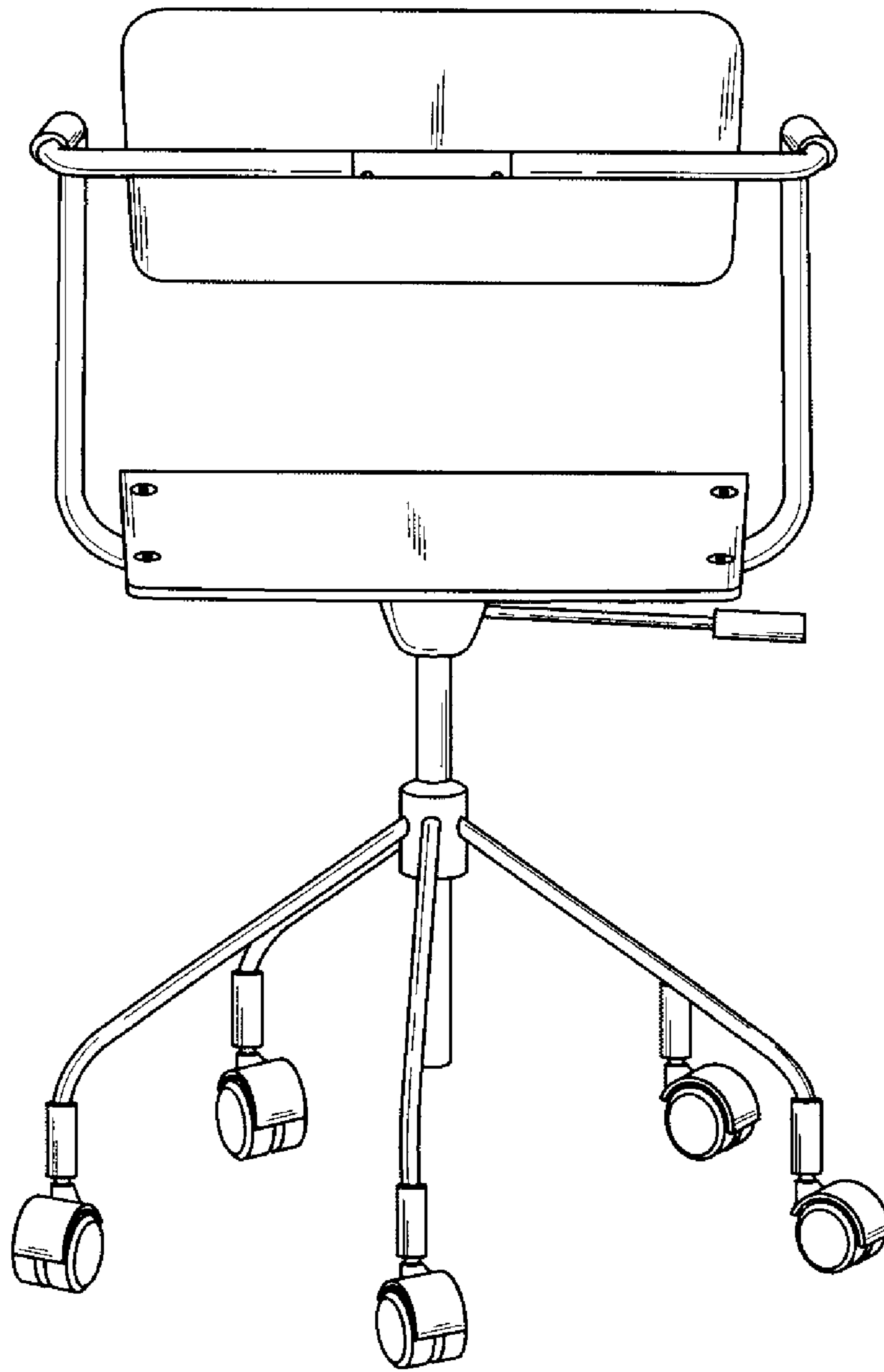
FIG. 9 is an enlarged fragmentary perspective view of the upper rear of the chair.

**1 Claim, 8 Drawing Sheets**

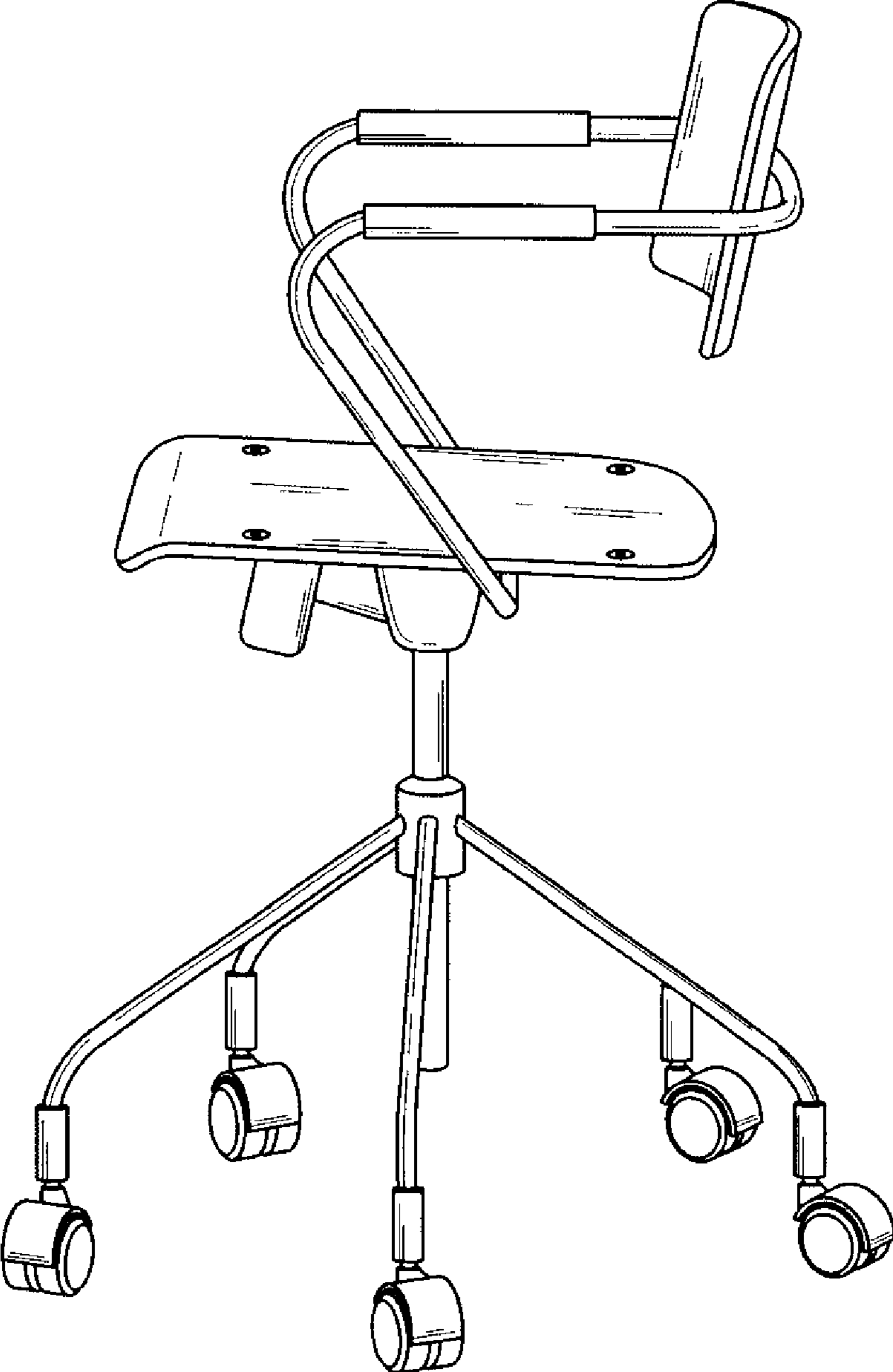




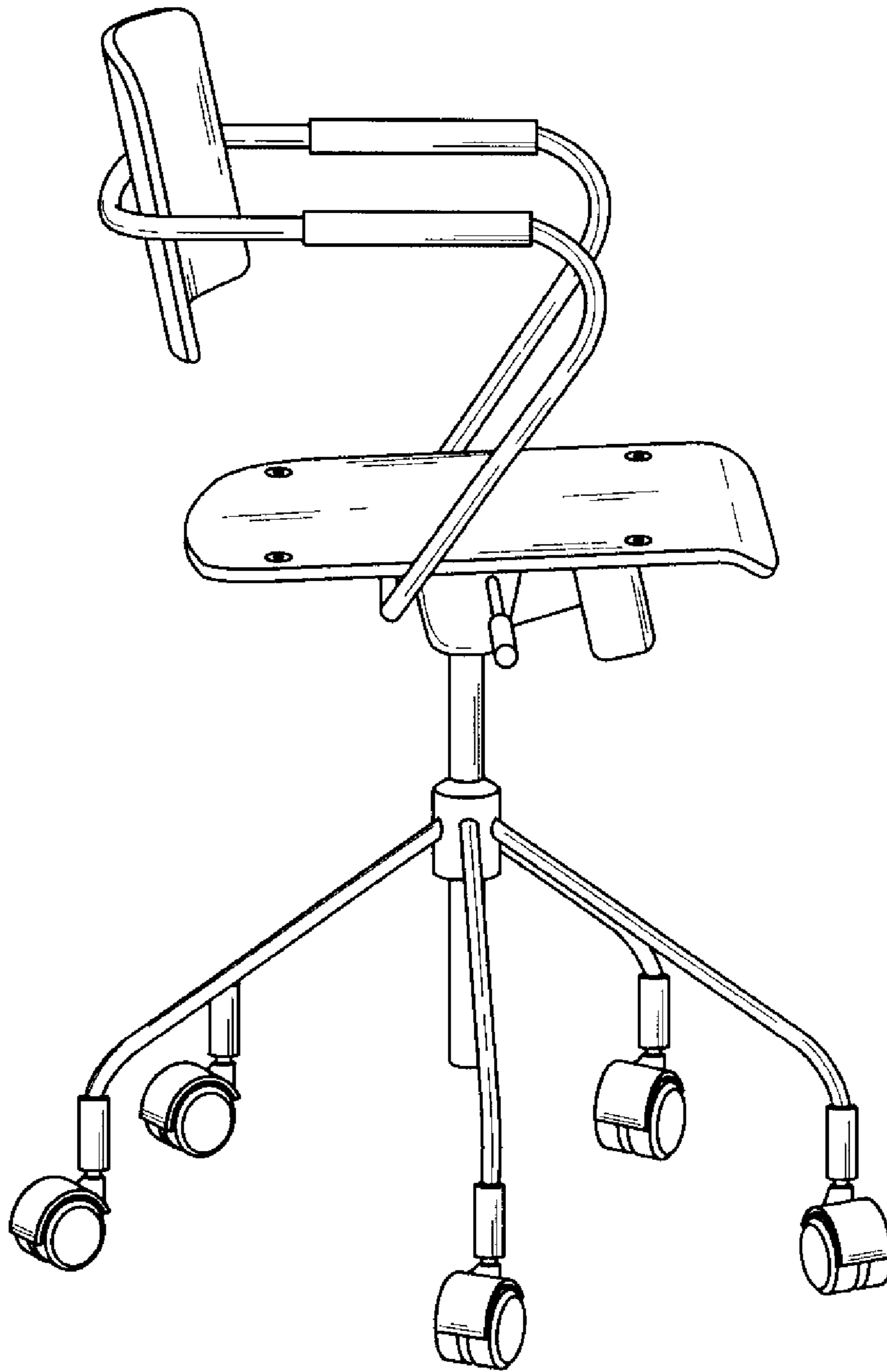
**FIG. 1**



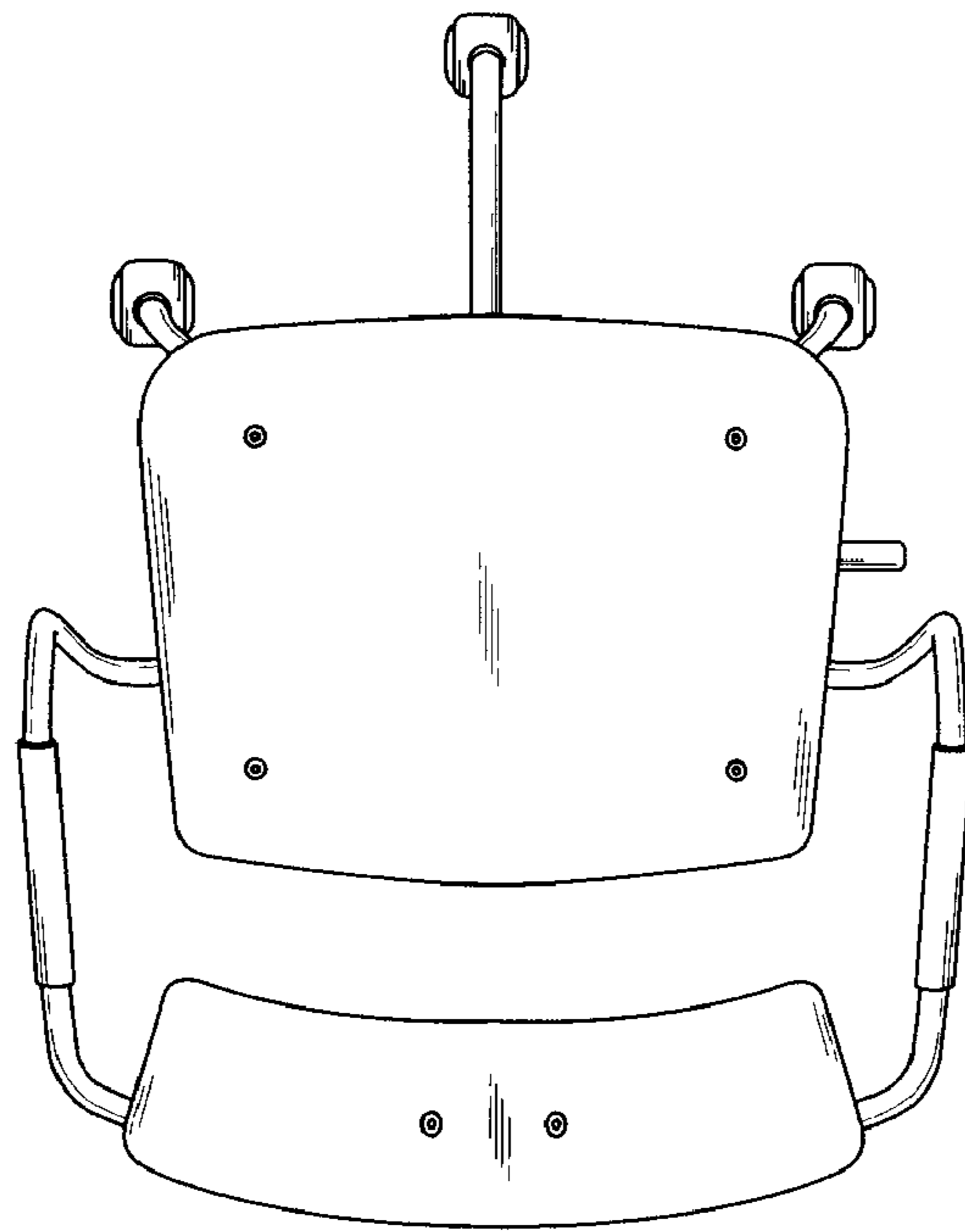
**FIG. 2**



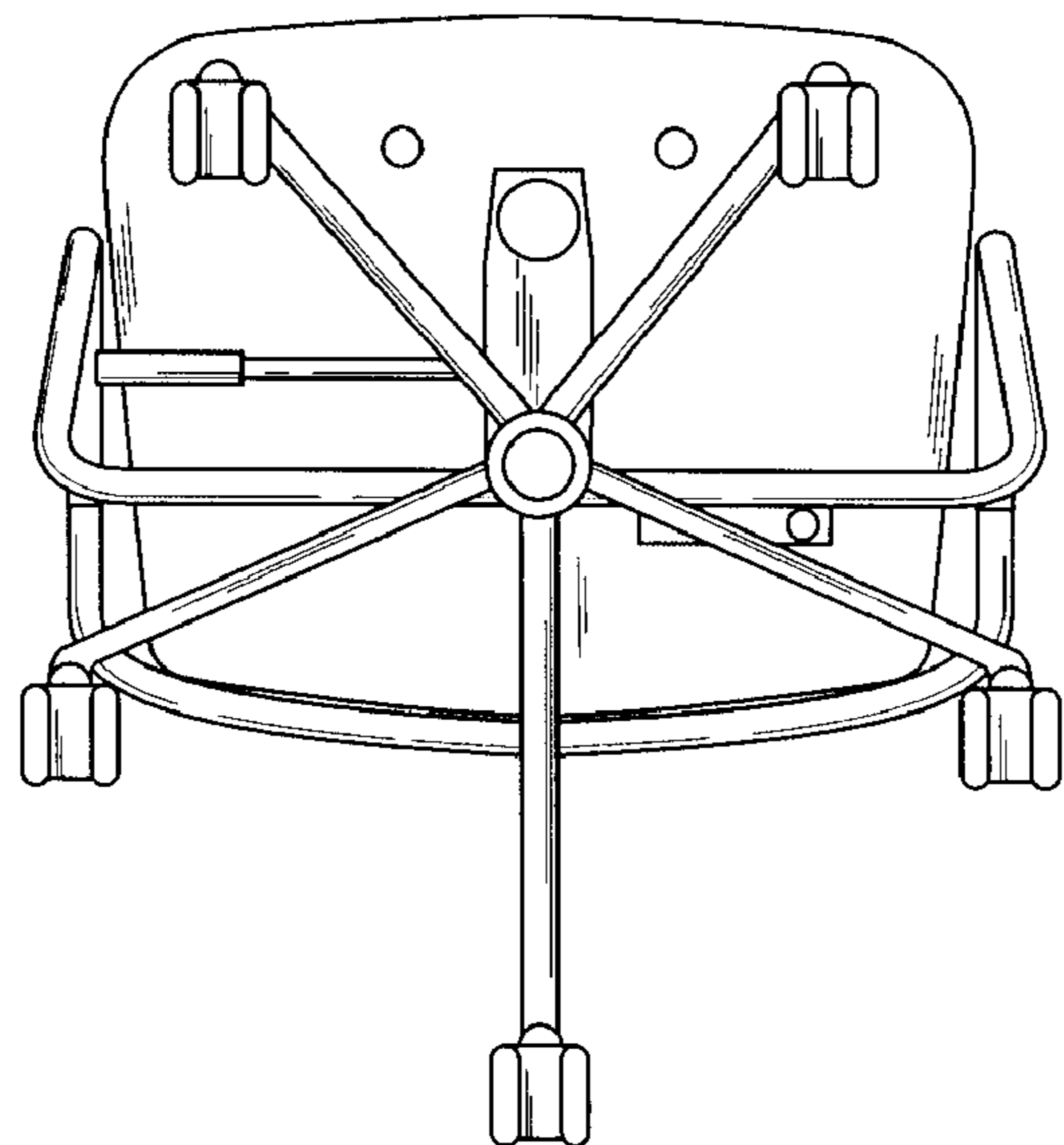
**FIG. 3**



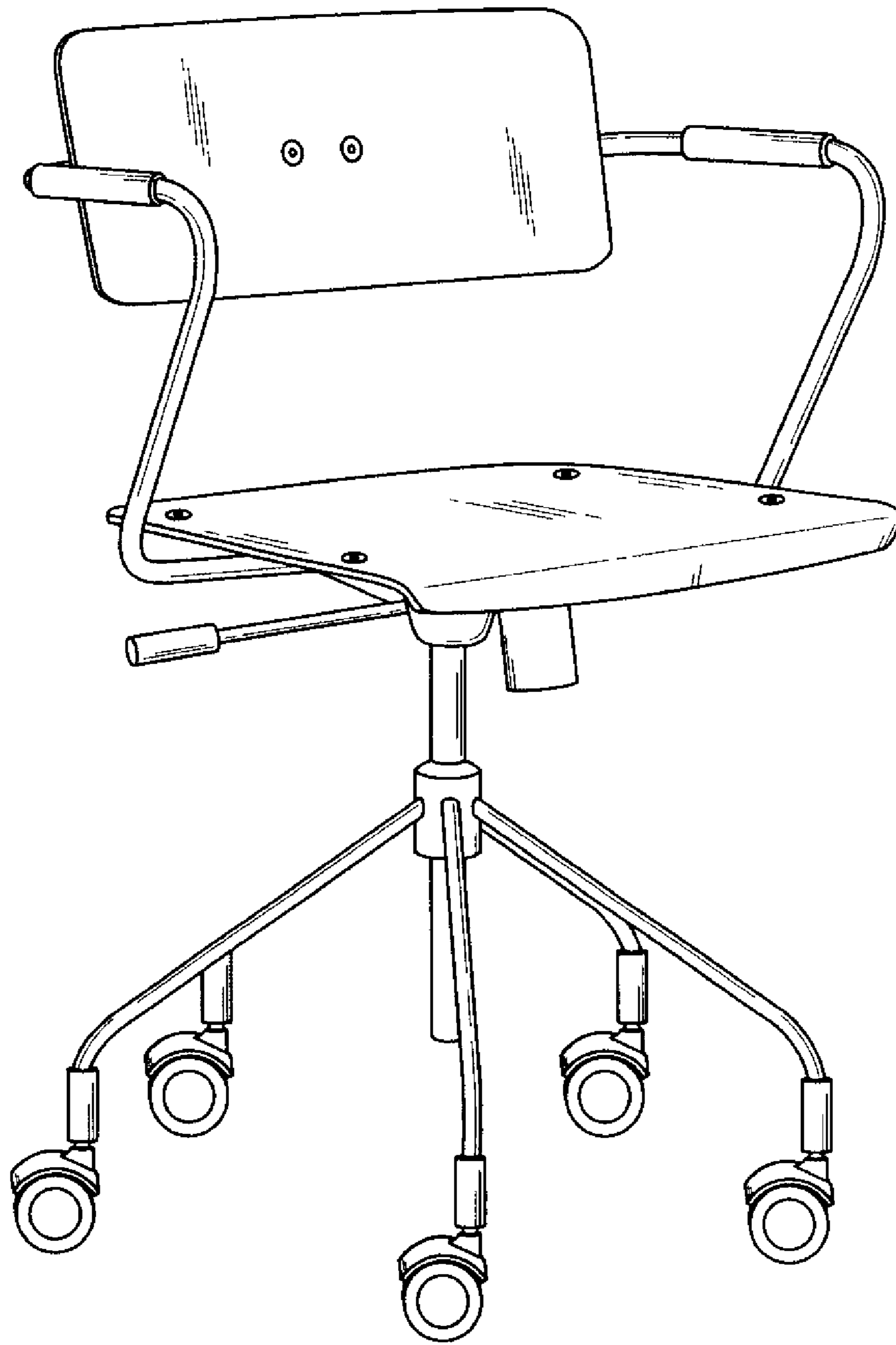
**FIG. 4**



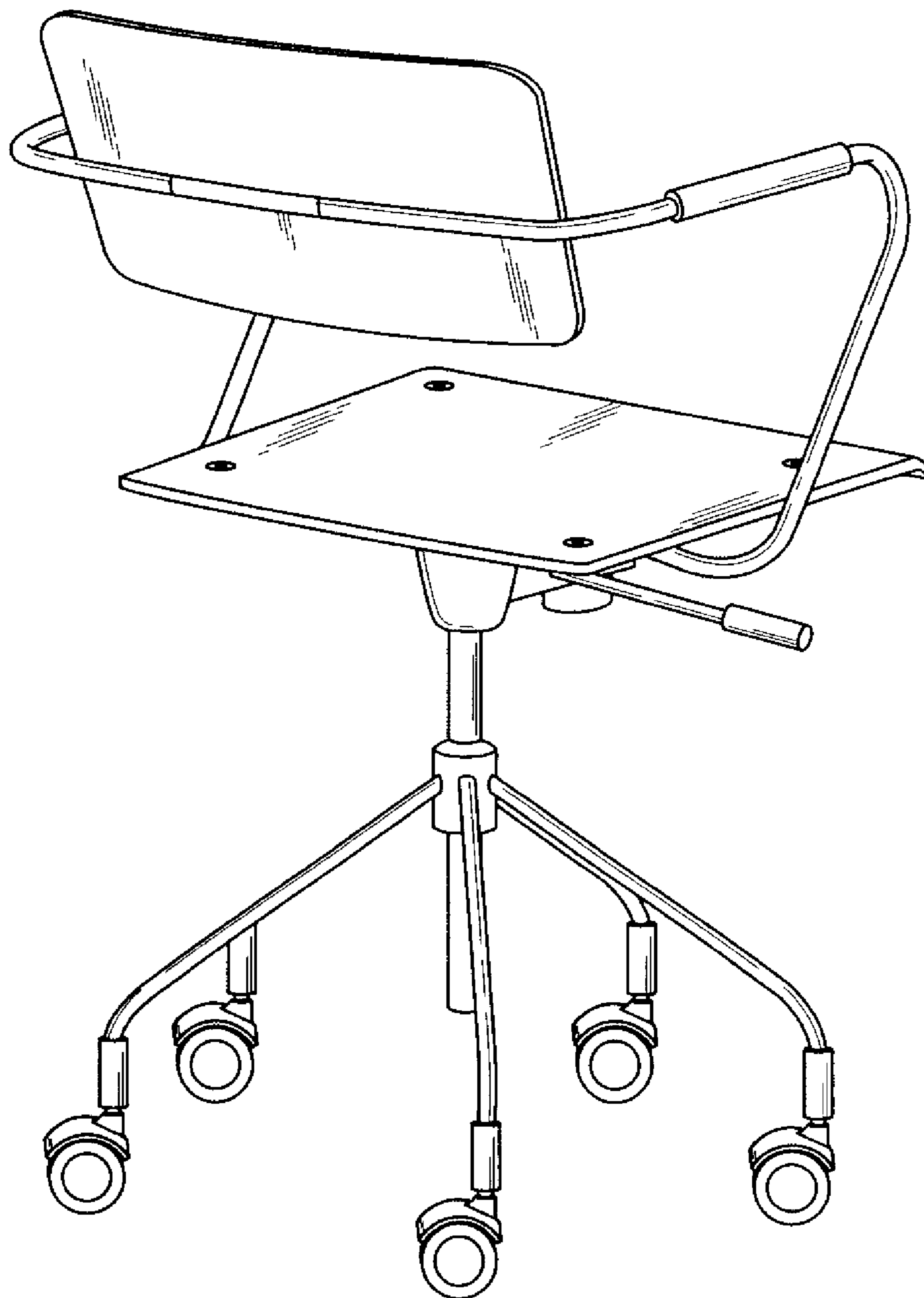
**FIG. 5**



**FIG. 6**

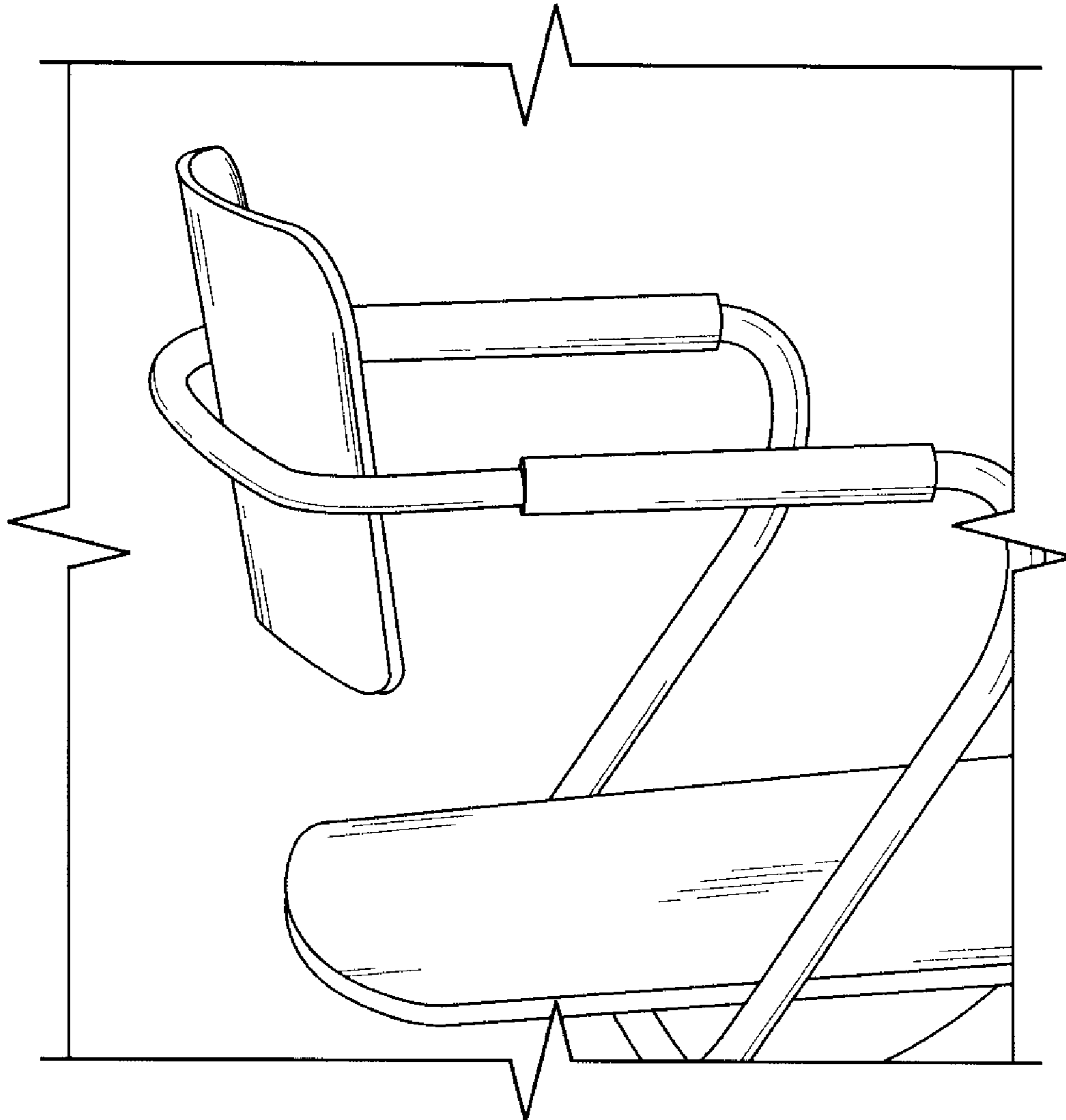


**FIG. 7**



**FIG. 8**





**FIG. 9**