



US00D516328S

(12) **United States Design Patent**  
**Stalmate et al.**

(10) **Patent No.:** **US D516,328 S**  
(45) **Date of Patent:** **\*\* Mar. 7, 2006**

(54) **VEHICLE SEAT**

(75) Inventors: **Robert L. Stalmate**, Chillicothe, IL (US); **Lyle E. York**, Peoria, IL (US); **Vijayakumar Ramasamy**, Peoria, IL (US)

(73) Assignee: **Caterpillar Inc.**, Peoria, IL (US)

(\*\*) Term: **14 Years**

(21) Appl. No.: **29/233,067**

(22) Filed: **Jun. 28, 2005**

**Related U.S. Application Data**

(62) Division of application No. 29/188,910, filed on Aug. 27, 2003, now Pat. No. Des. 508,337.

(51) **LOC (8) Cl.** ..... **06-01**

(52) **U.S. Cl.** ..... **D6/356**

(58) **Field of Classification Search** ..... D6/334,  
D6/356, 367, 368, 374, 375, 381, 500-502;  
297/232, 284.3, 353, 452.24, 452.26, 452.34,  
297/452.35

See application file for complete search history.

(56) **References Cited**

**U.S. PATENT DOCUMENTS**

3,924,893 A \* 12/1975 Ferrara ..... 297/452.34

D315,255 S \* 3/1991 Beermann ..... D6/356  
D330,118 S \* 10/1992 Lanius et al. .... D6/356  
D371,465 S \* 7/1996 Stulik ..... D6/356  
D383,320 S \* 9/1997 Gilbertson ..... D6/356  
D385,709 S \* 11/1997 Gryp ..... D6/356  
5,803,544 A \* 9/1998 Block et al. .... 297/284.3  
D419,317 S \* 1/2000 Pond et al. .... D6/356  
D453,078 S \* 1/2002 Yamazaki et al. .... D6/356

\* cited by examiner

*Primary Examiner*—Mimosa De

(74) *Attorney, Agent, or Firm*—Finnegan, Henderson, Farabow, Garrett & Dunner

(57) **CLAIM**

The ornamental design for a vehicle seat, as shown and described.

**DESCRIPTION**

FIG. 1 is front-left perspective view of a vehicle seat of our new design;

FIG. 2 is a front view thereof;

FIG. 3 is a rear view thereof;

FIG. 4 is a left-side view thereof;

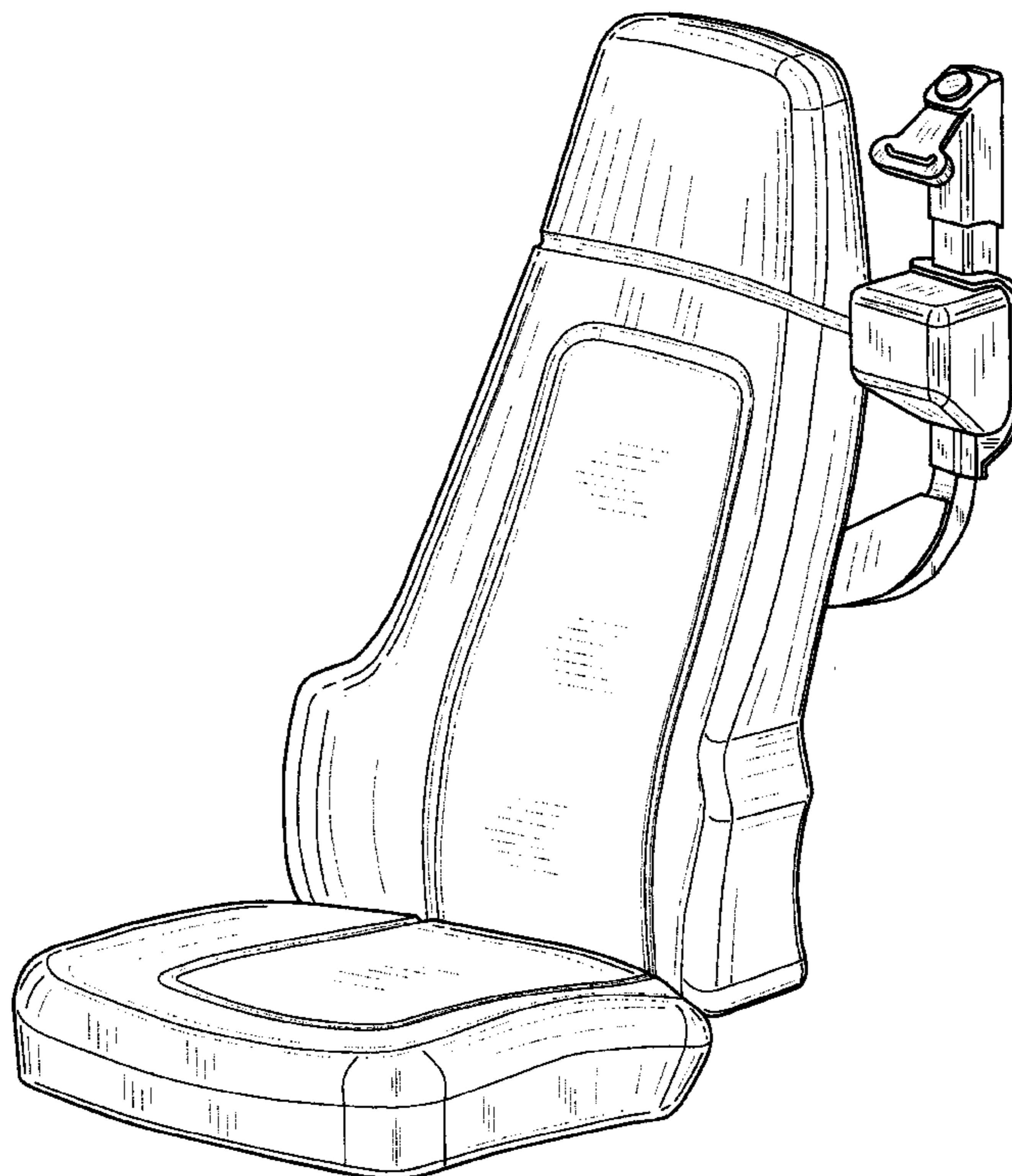
FIG. 5 is a right-side view thereof;

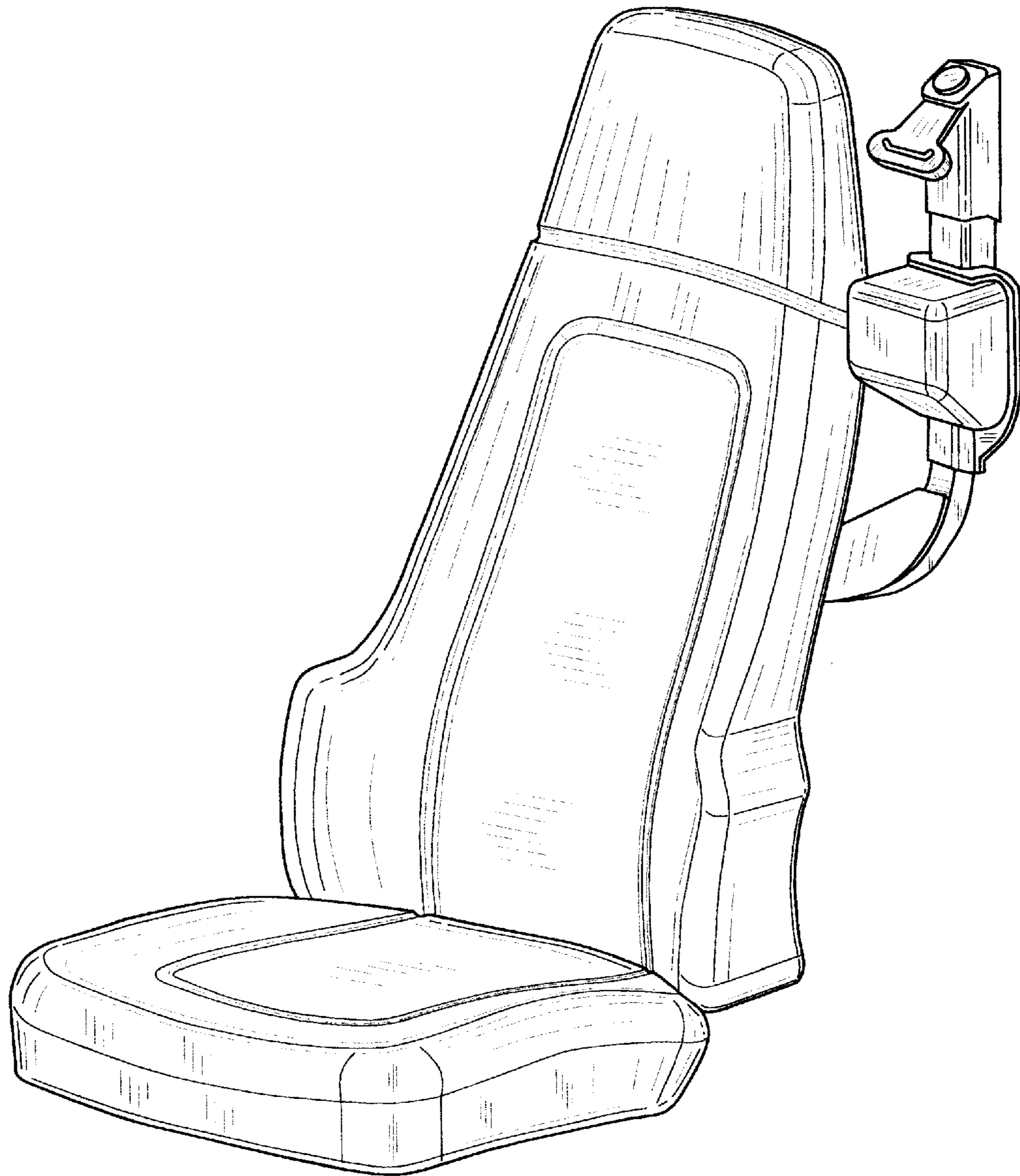
FIG. 6 is a top view thereof; and,

FIG. 7 is a bottom view thereof.

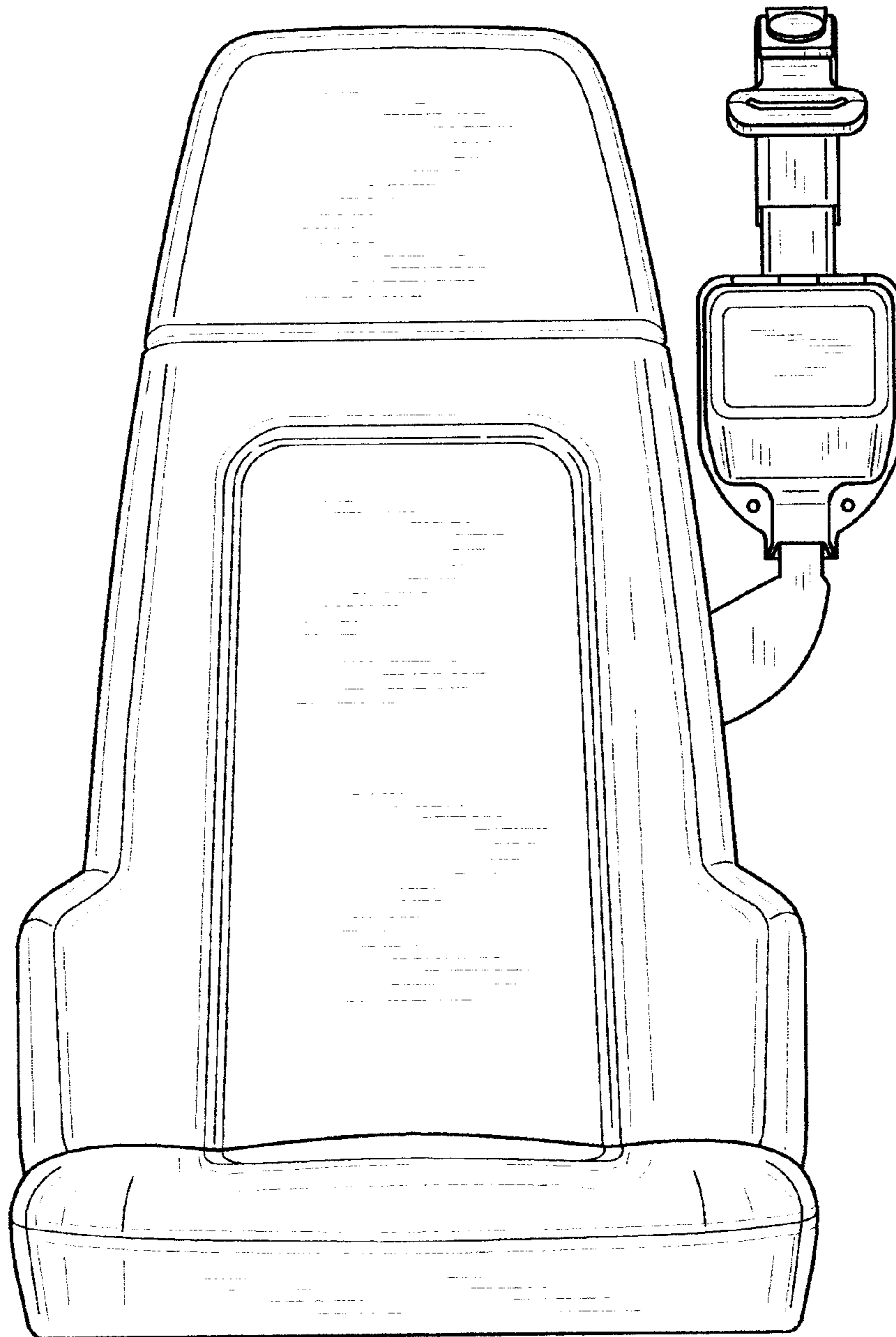
The bottom of the vehicle seat is not visible during normal use and does not form part of the claimed design.

**1 Claim, 7 Drawing Sheets**

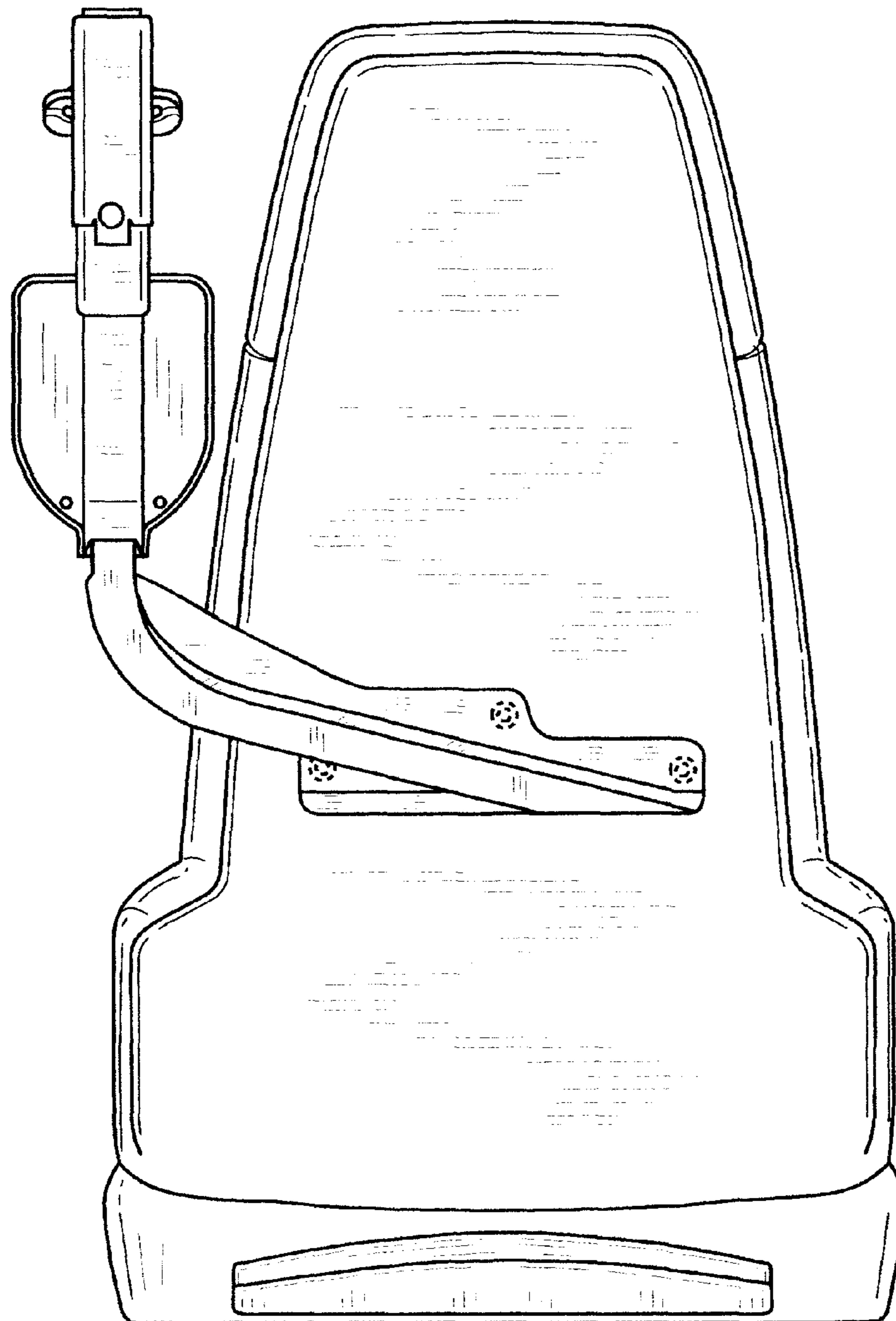




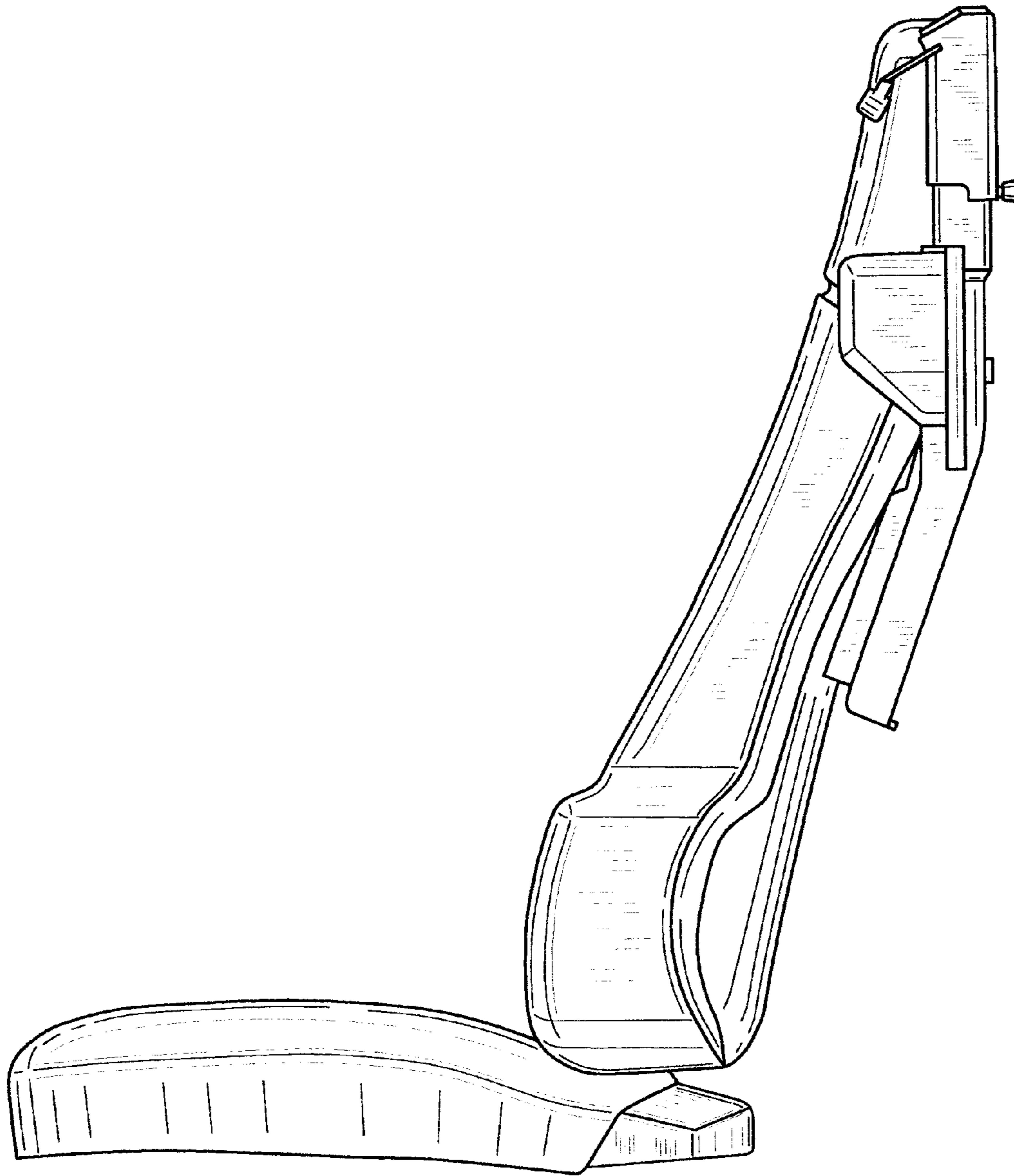
**FIG. 1**



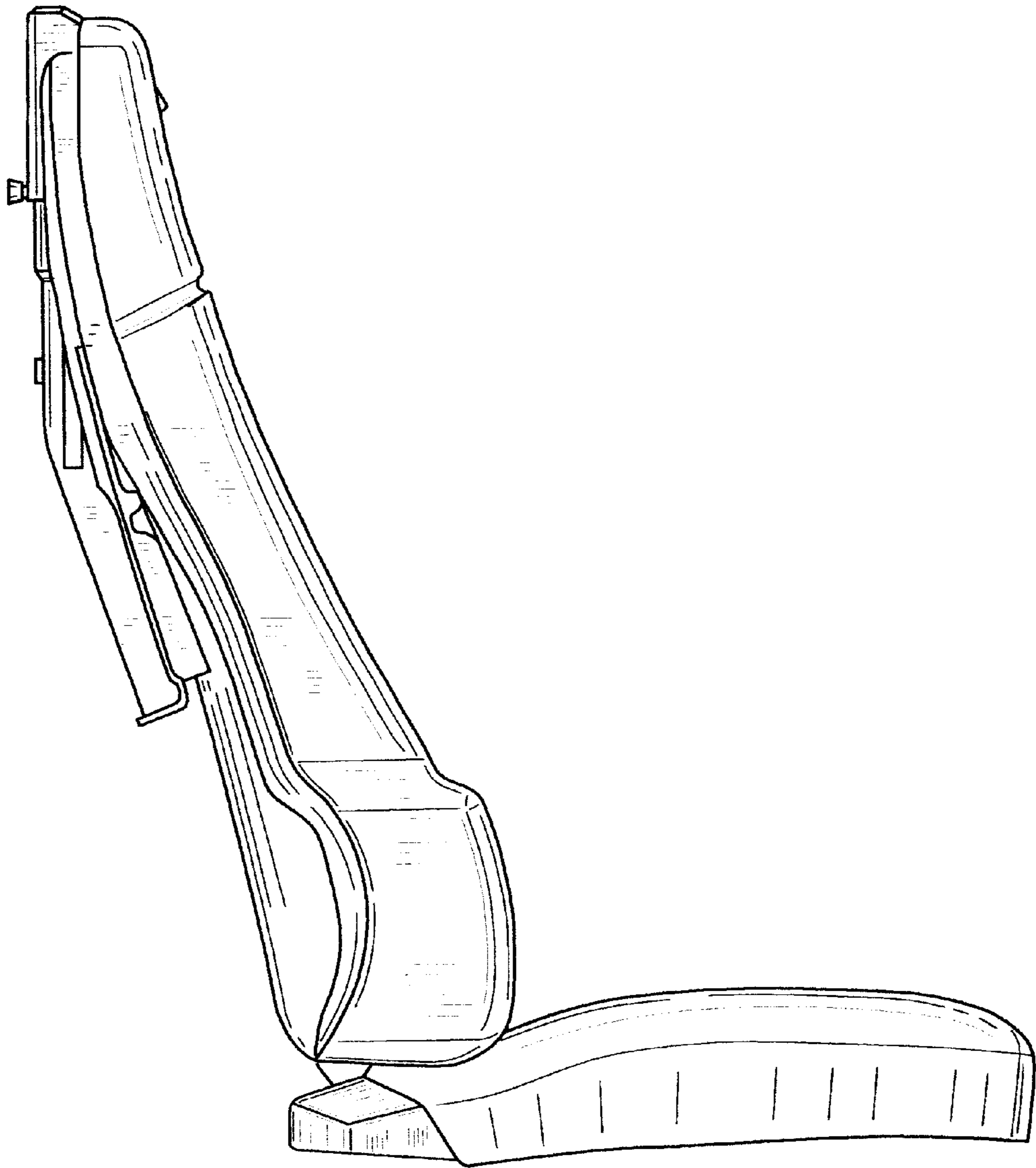
**FIG. 2**



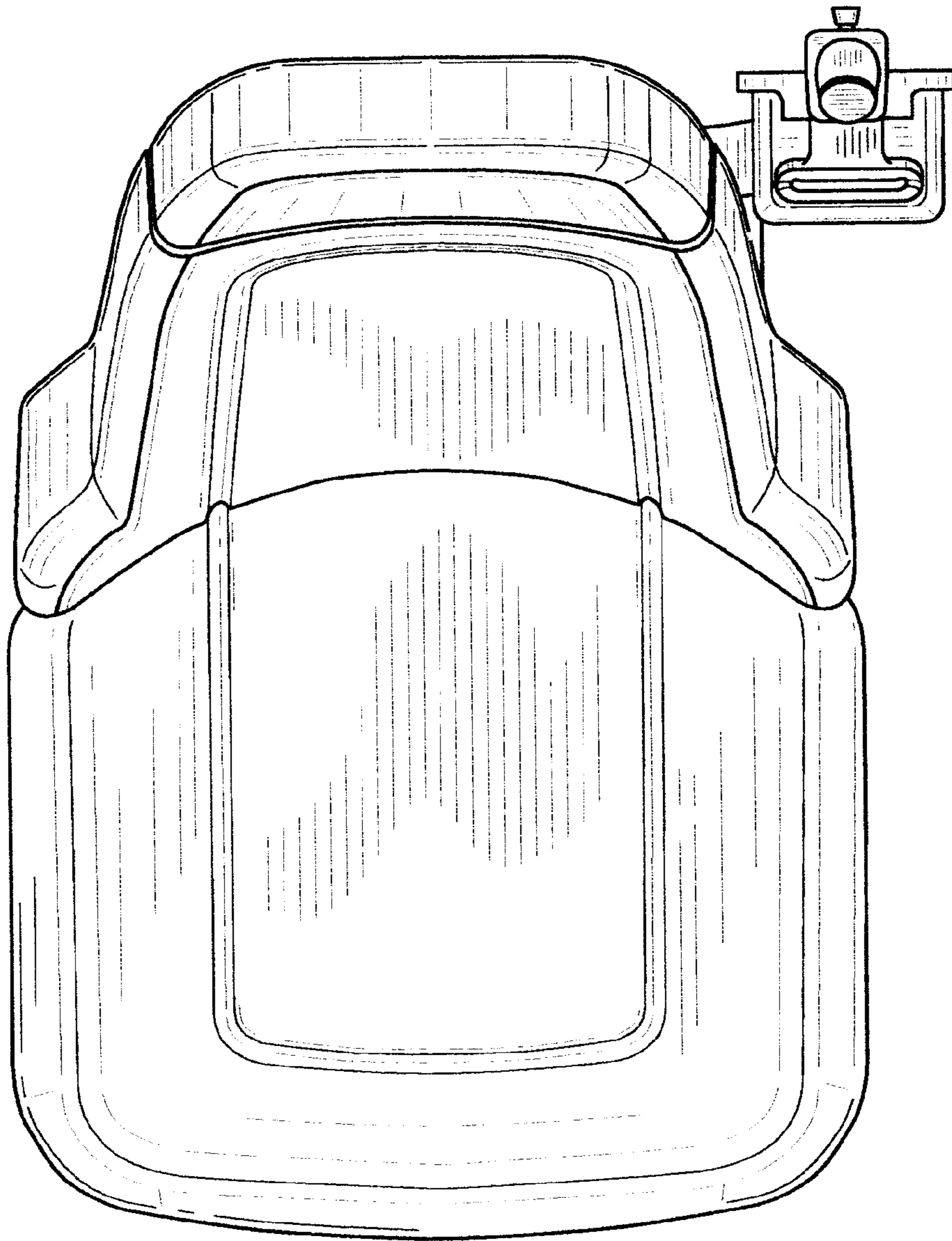
**FIG. 3**



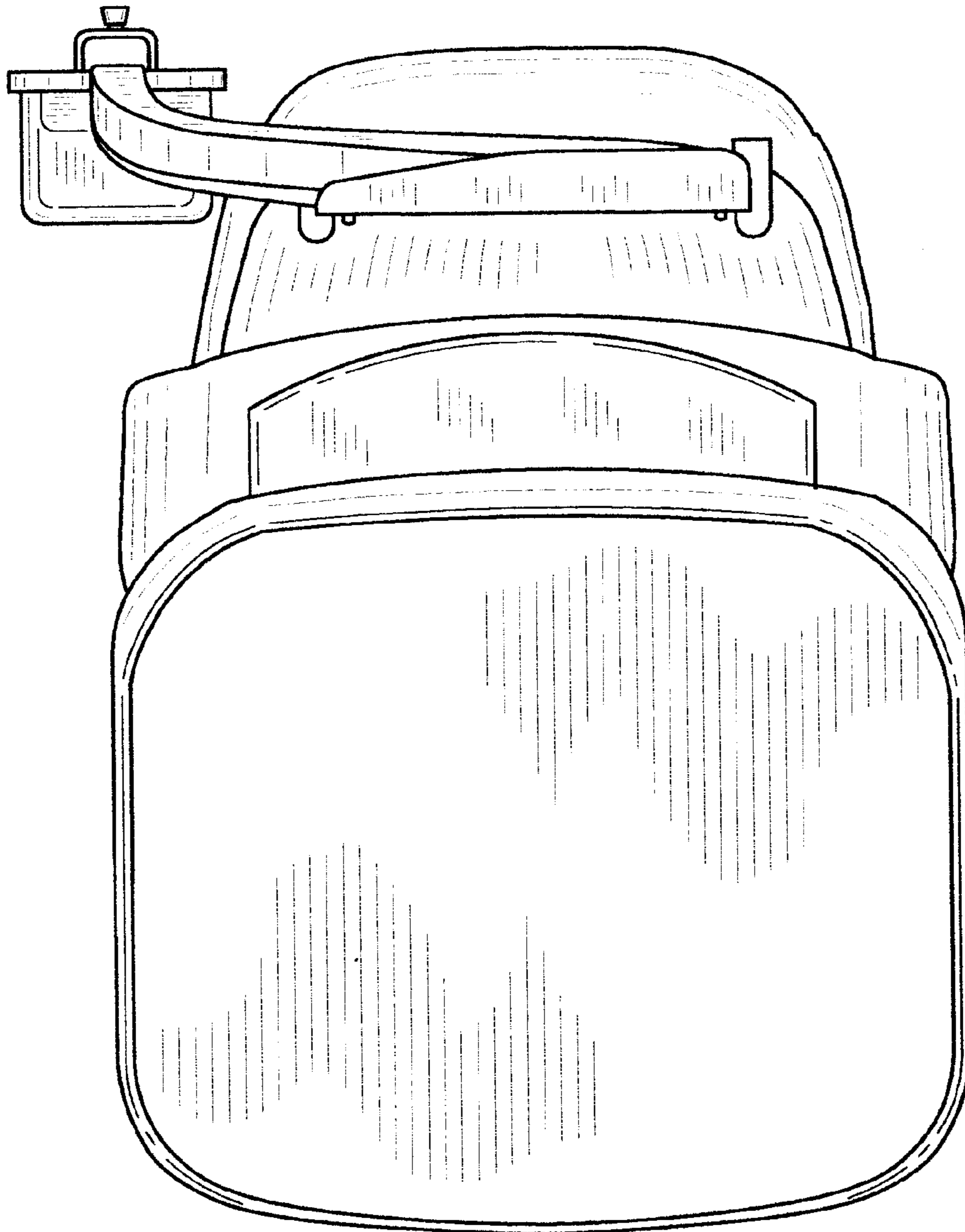
**FIG. 4**



**FIG. 5**



**FIG. 6**



**FIG. 7**



UNITED STATES PATENT AND TRADEMARK OFFICE  
**CERTIFICATE OF CORRECTION**

PATENT NO. : Des. 516,328 S  
APPLICATION NO. : 29/233067  
DATED : March 7, 2006  
INVENTOR(S) : Robert L. Stamate et al.

Page 1 of 1

It is certified that error appears in the above-identified patent and that said Letters Patent is hereby corrected as shown below:

TITLE PAGE, ITEM (75) INVENTORS:

In the inventor section on the front of the patent, please delete "Robert L. Stalmate" and insert -- Robert L. Stamate --

Signed and Sealed this

Twenty-second Day of August, 2006

A handwritten signature in black ink on a dotted background. The signature reads "Jon W. Dudas" in a cursive style.

JON W. DUDAS

*Director of the United States Patent and Trademark Office*