



US00D516325S

(12) **United States Design Patent**
Goodman et al.

(10) **Patent No.: US D516,325 S**
(45) **Date of Patent: ** Mar. 7, 2006**

(54) **OVER-THE-DOOR HAT AND COAT HOOK**

(75) Inventors: **Sheldon H. Goodman**, 30905 Stratford Dr., Solon, OH (US) 44139; **Kent W. Murphy**, Wooster, OH (US)

(73) Assignee: **Sheldon H. Goodman**, Solon, OH (US)

(**) Term: **14 Years**

(21) Appl. No.: **29/225,444**

(22) Filed: **Mar. 16, 2005**

(51) **LOC (8) Cl.** **06-08**

(52) **U.S. Cl.** **D6/323**

(58) **Field of Classification Search** D6/315,
D6/317, 320, 323, 324, 325, 327, 328; D8/367,
D8/370-372; 248/682, 690-692

See application file for complete search history.

(56) **References Cited**

U.S. PATENT DOCUMENTS

632,234 A	9/1899	Burgess	
D159,261 S	* 7/1950	Fiechter	D6/323
4,082,243 A	4/1978	Watt et al.	
D343,066 S	1/1994	Hsu	
D390,012 S	2/1998	Goodman et al.	
D401,840 S	12/1998	Goodman et al.	
D422,198 S	* 4/2000	Snell	D8/367
D425,316 S	5/2000	Snell	
D446,108 S	* 8/2001	Snell	D8/367
D456,695 S	5/2002	Goodman et al.	
D465,661 S	* 11/2002	Hoernig	D6/323
D472,059 S	3/2003	Hoernig	
D473,453 S	4/2003	Goodman et al.	

D480,947 S	* 10/2003	Snell	D8/372
D493,093 S	7/2004	Goodman et al.	
D493,094 S	* 7/2004	Goodman et al.	D8/372
D507,961 S	* 8/2005	Goodman et al.	D8/367

OTHER PUBLICATIONS

Spectrum New For 2002 New Products Brochure, Circa 2002, Cover page and 7 pages.

Spectrum Hooks and Holders Brochure, Circa 2002, Cover page and 7 pages.

Spectrum Wire Storage Brochure, Circa 2002, Cover page and 5 pages.

* cited by examiner

Primary Examiner—Nanda Bondade

Assistant Examiner—Shanda C. Hill

(74) *Attorney, Agent, or Firm*—Fay, Sharpe, Fagan, Minnich & McKee, LLP

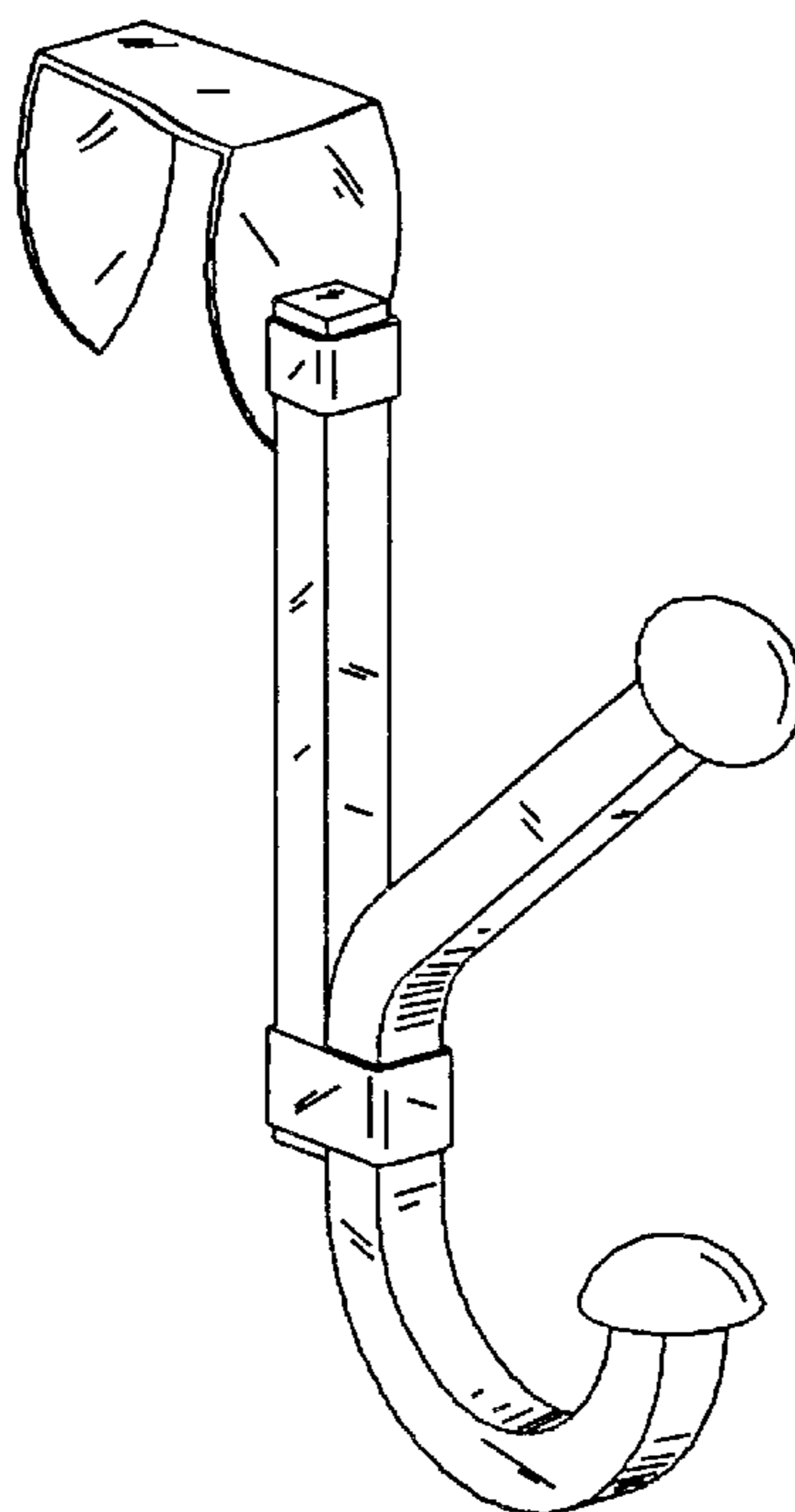
(57) **CLAIM**

The ornamental design for an over-the-door hat and coat hook, as shown and described.

DESCRIPTION

FIG. 1 is a perspective view of an over-the-door hat and coat hook showing our new design; FIG. 2 is a left side elevational view thereof, with a right side elevational view being a mirror image thereof; FIG. 3 is a front elevational view thereof; FIG. 4 is a rear elevational view thereof; FIG. 5 is a top plan view thereof; and, FIG. 6 is a bottom plan view thereof.

1 Claim, 2 Drawing Sheets



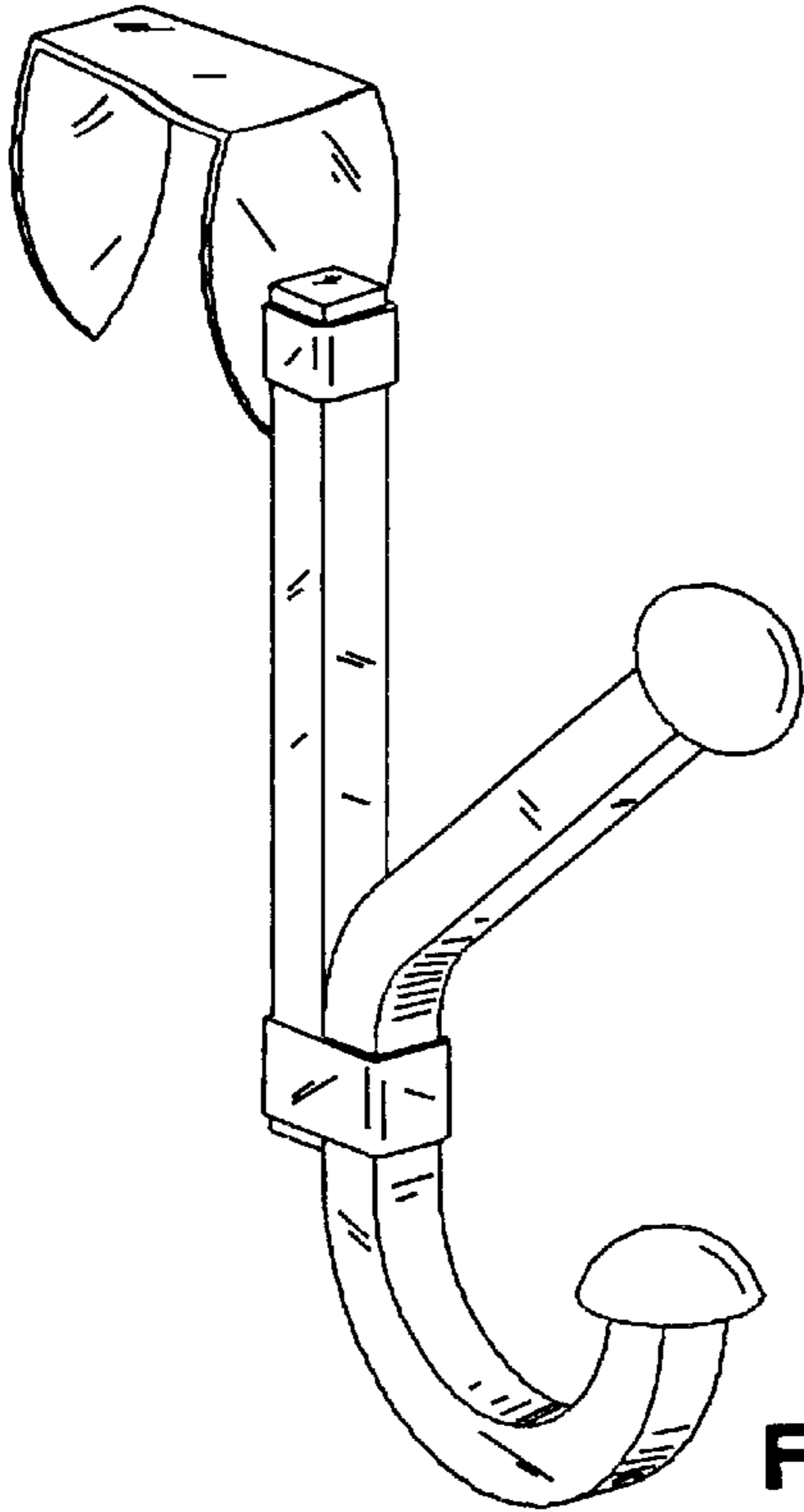


FIG. 1

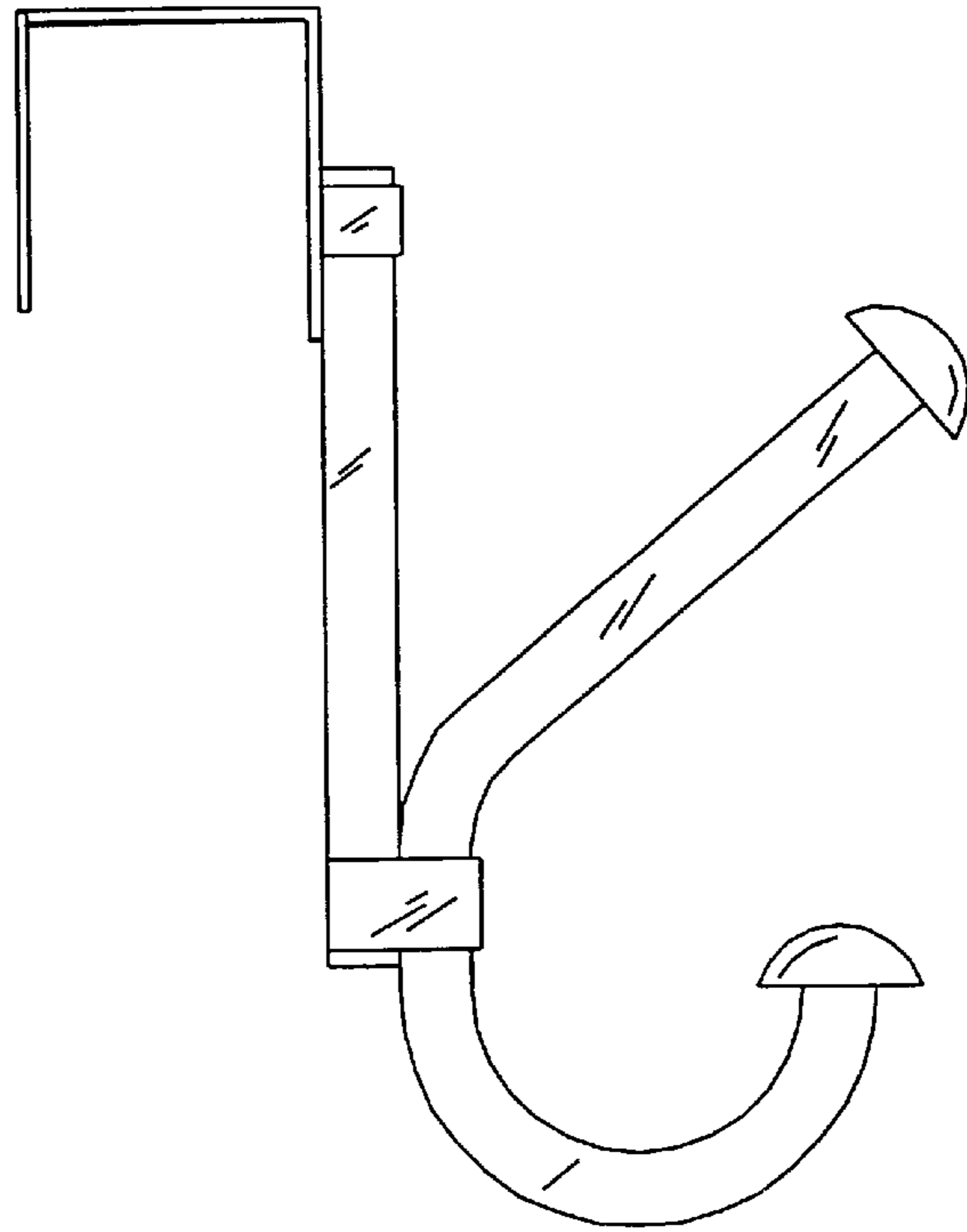


FIG. 2

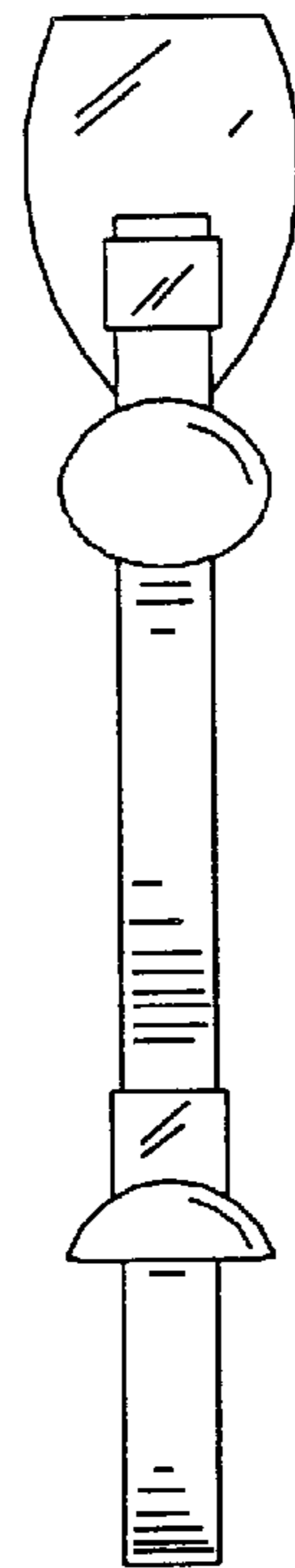


FIG. 3

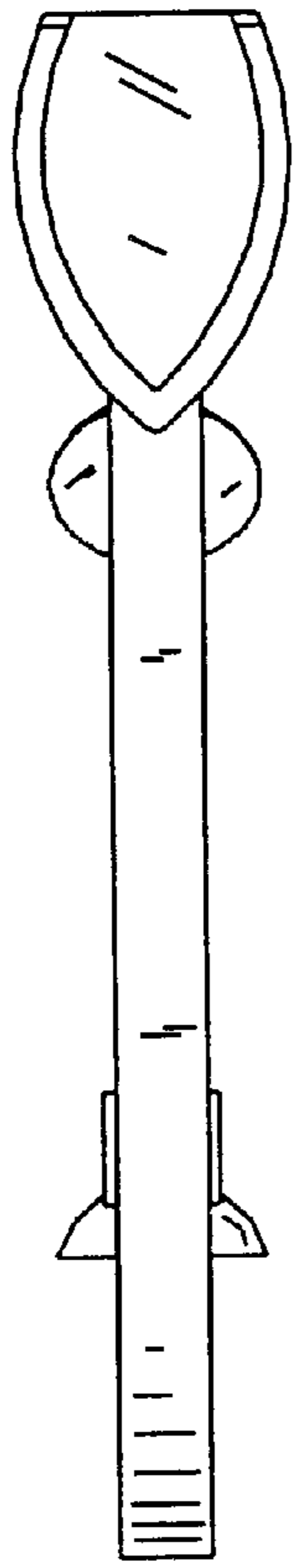


FIG. 4

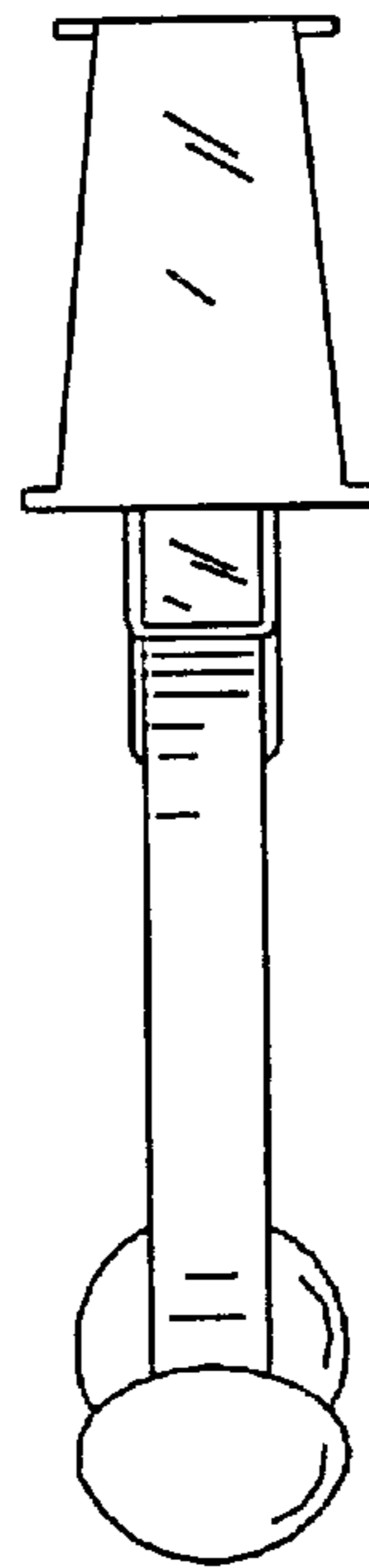


FIG. 5

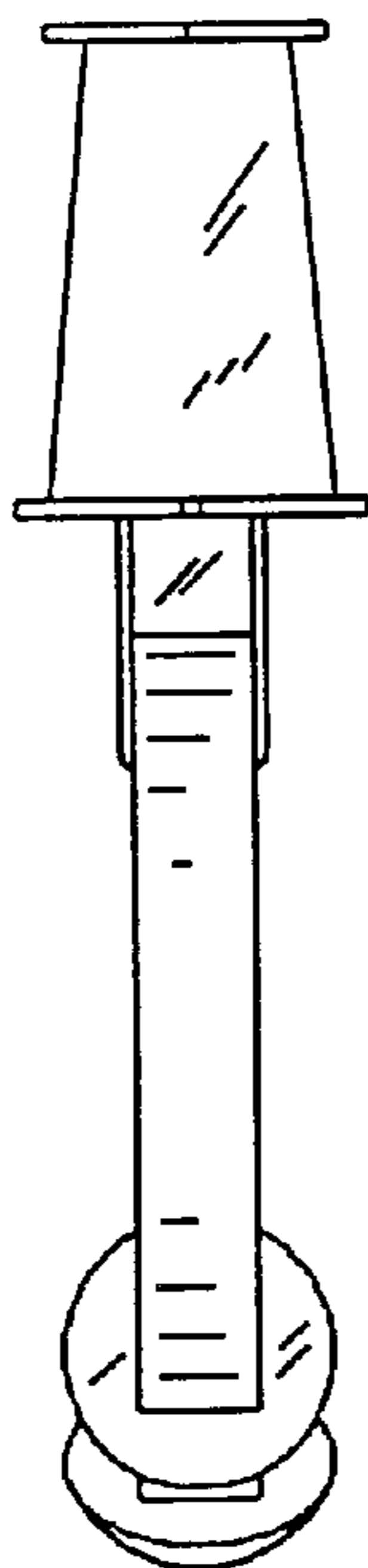


FIG. 6