



US00D516324S

(12) **United States Design Patent**  
**Andrews et al.**

(10) **Patent No.:** **US D516,324 S**  
(45) **Date of Patent:** **\*\* Mar. 7, 2006**

(54) **PICTURE HOLDER AND FAN-LIKE NOVELTY ITEM**

D253,742 S \* 12/1979 English ..... D6/307  
D393,749 S \* 4/1998 Krohn ..... D6/307

(75) Inventors: **Mark Andrews**, Cary, NC (US); **Mary Andrews**, Cary, NC (US)

\* cited by examiner

(73) Assignee: **Upshift Design, LLC**, Apex, NC (US)

*Primary Examiner*—Janice E. Seeger  
*Assistant Examiner*—Sydney Buffalow  
(74) *Attorney, Agent, or Firm*—Epstein Drangel Bazerman & James, LLP

(\*\*) Term: **14 Years**

(21) Appl. No.: **29/214,095**

(57) **CLAIM**

(22) Filed: **Sep. 28, 2004**

The ornamental design for a picture holder and fan-like novelty item, substantially as shown and described.

(51) **LOC (8) Cl.** ..... **06-07**

**DESCRIPTION**

(52) **U.S. Cl.** ..... **D6/300**

(58) **Field of Classification Search** ..... D6/300–314;  
40/200, 455, 700, 711, 714, 717, 720, 721,  
40/725, 727, 738, 745, 761, 765, 766, 778,  
40/780, 781, 786, 798; D11/132, 133  
See application file for complete search history.

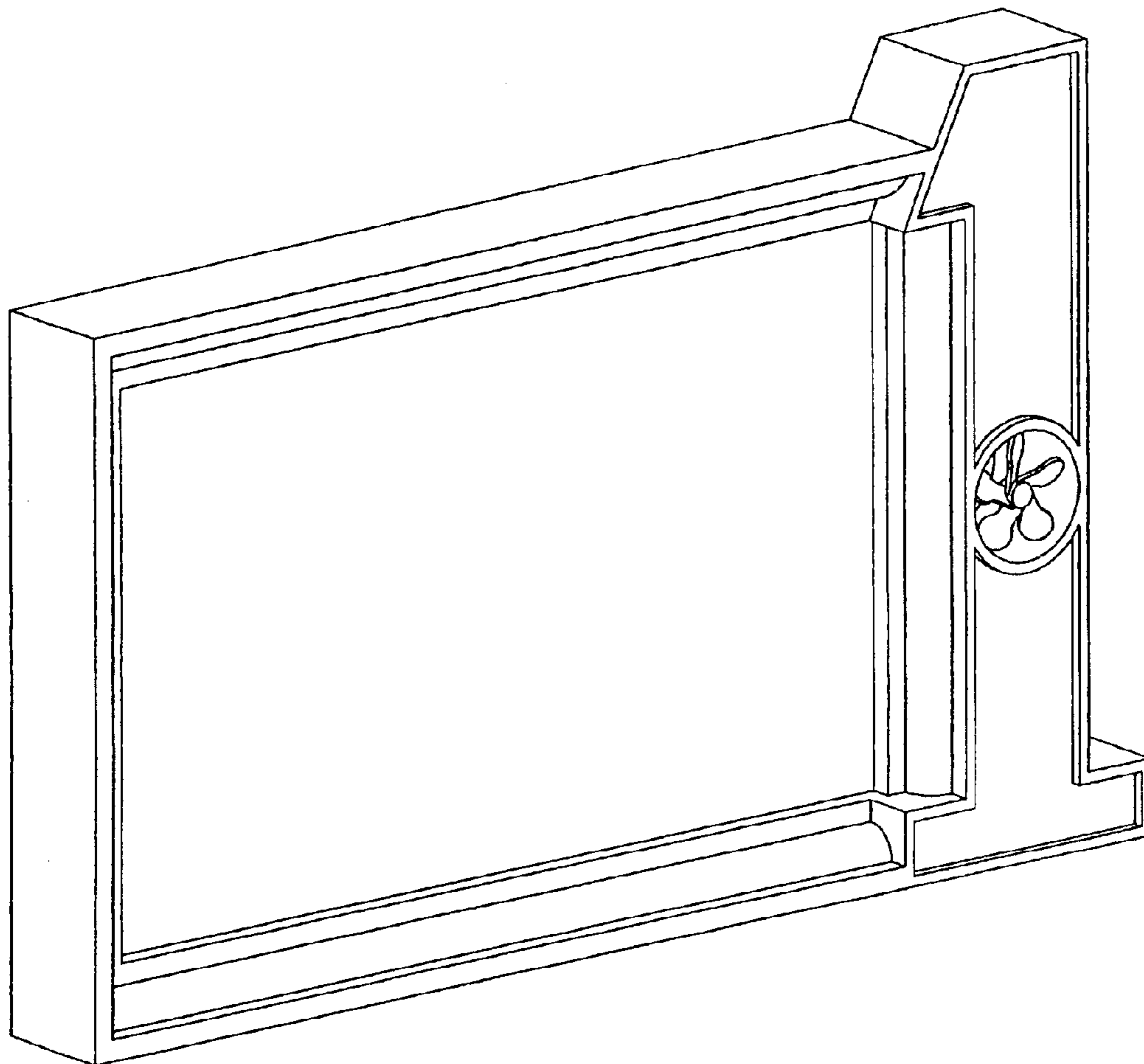
FIG. 1 is a perspective view of our invention;  
FIG. 2 is a front elevational view thereof;  
FIG. 3 is a left elevational side view thereof;  
FIG. 4 is a top plan view thereof;  
FIG. 5 is a back elevational view thereof;  
FIG. 6 is a right elevational view thereof; and,  
FIG. 7 is a bottom plan view.

(56) **References Cited**

**U.S. PATENT DOCUMENTS**

D253,507 S \* 11/1979 English ..... D6/307

**1 Claim, 3 Drawing Sheets**



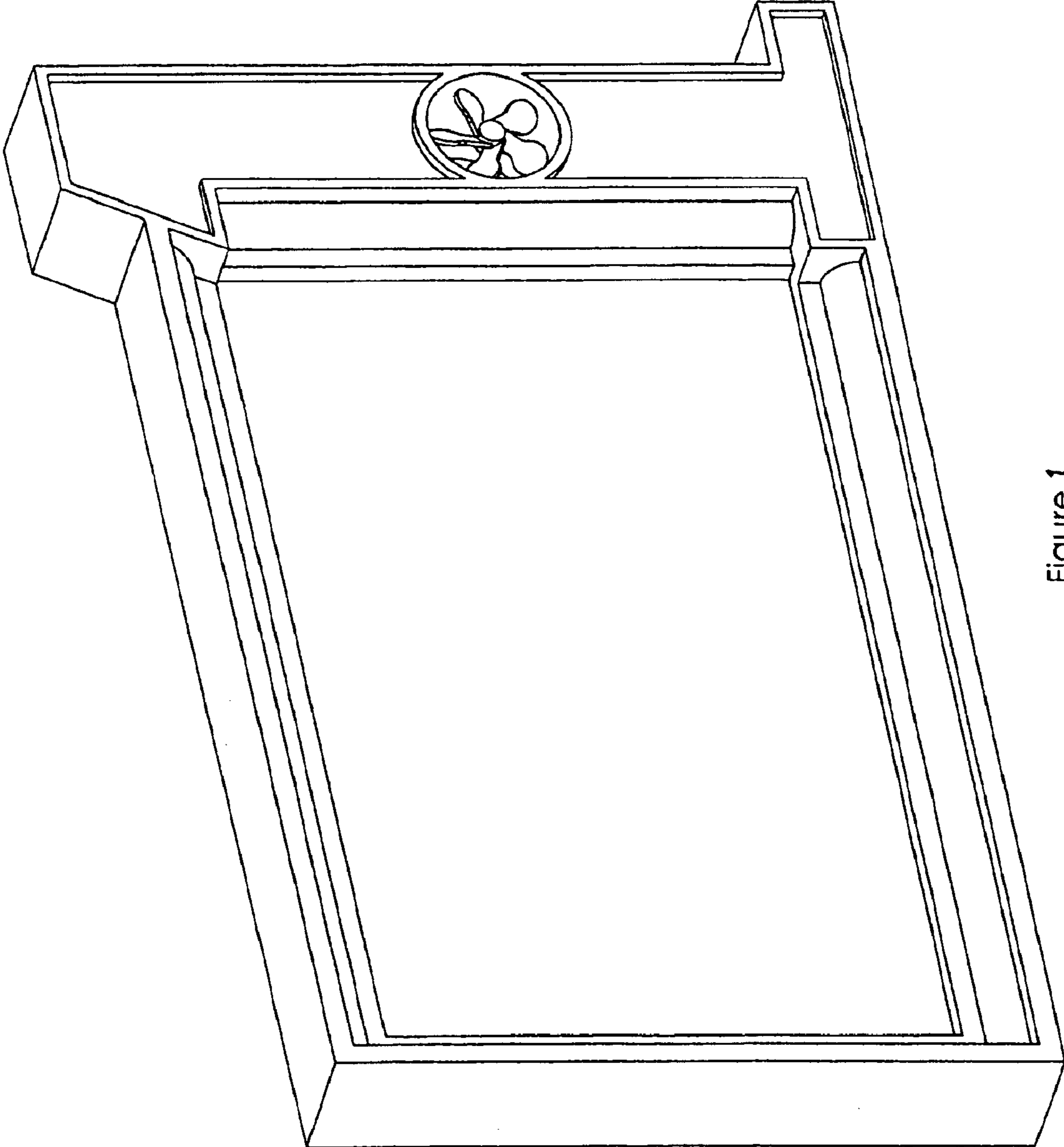


Figure 1

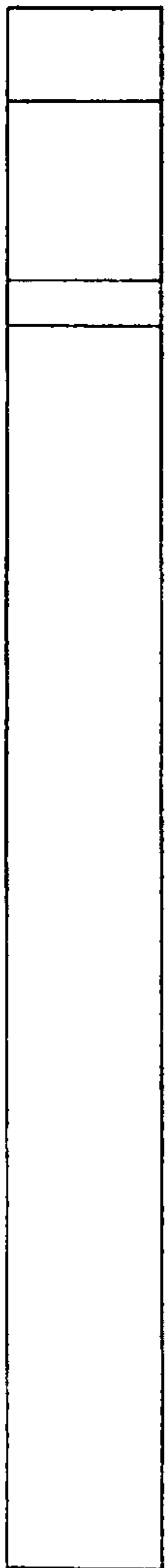


Figure 4



Figure 3

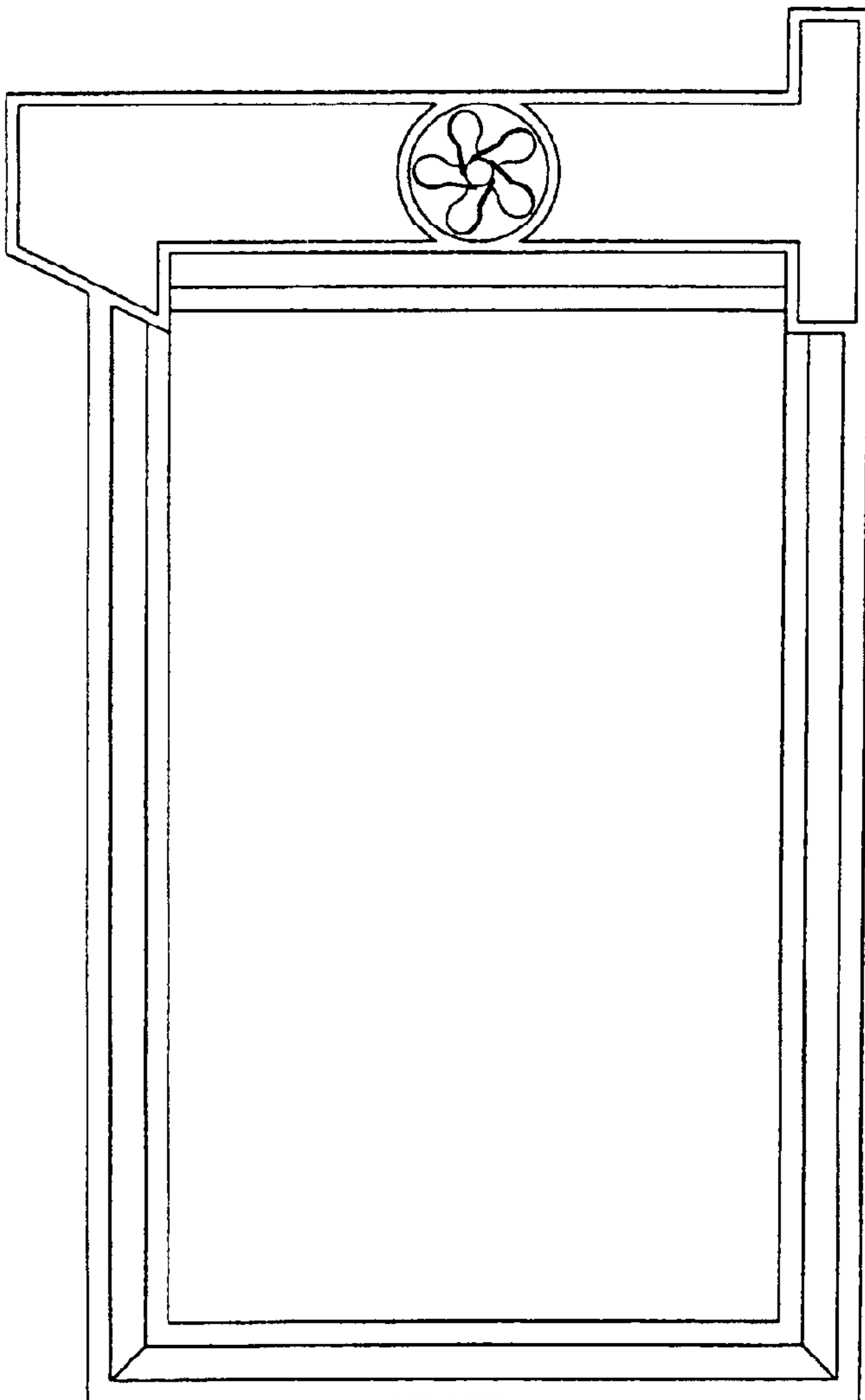


Figure 2



Figure 6

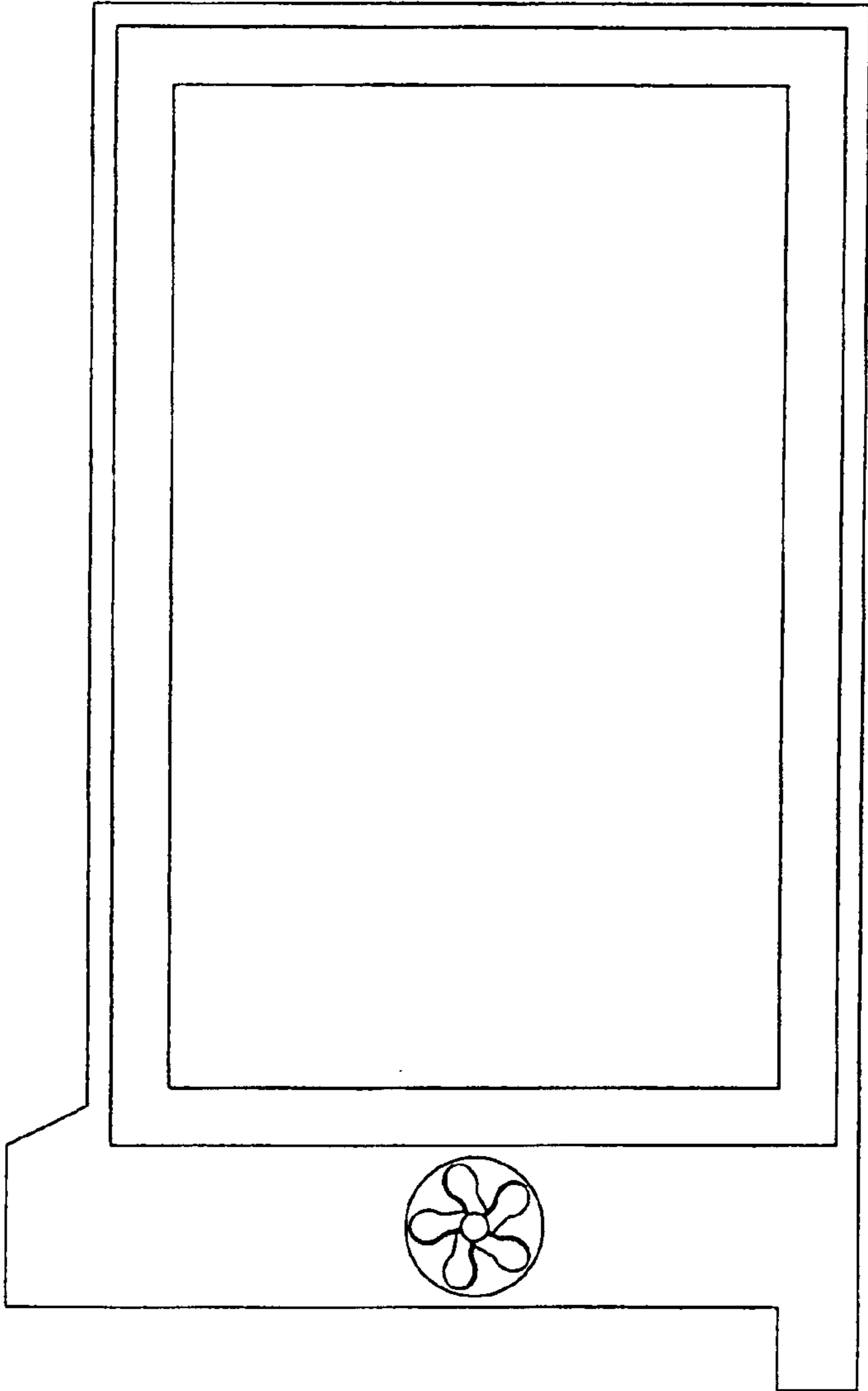


Figure 5

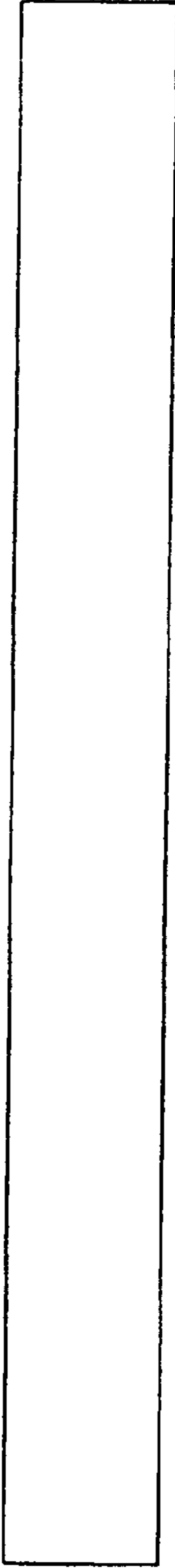


Figure 7