



US00D516316S

(12) **United States Design Patent**  
**Perella et al.**

(10) **Patent No.:** **US D516,316 S**  
(45) **Date of Patent:** **\*\* Mar. 7, 2006**

- (54) **PURSE**
- (75) Inventors: **Daniel Perella**, Hudson, OH (US);  
**Anthony Decarlo**, Bay Village, OH (US);  
**Vincent Thomson**, Avon Lake, OH (US)
- (73) Assignee: **IdeaStream Consumer Products LLC**,  
Parma, OH (US)

- 4,509,622 A 4/1985 Morszeck
- D285,626 S 9/1986 Yen
- D288,863 S 3/1987 Vuitton
- 4,669,587 A 6/1987 Zitt
- D378,164 S 2/1997 Lee
- D414,037 S 9/1999 Akaike et al.
- D415,614 S 10/1999 Akaike et al.
- D439,044 S 3/2001 Cheng
- D467,423 S 12/2002 Wolf

(\*\*) Term: **14 Years**

\* cited by examiner

(21) Appl. No.: **29/223,890**

*Primary Examiner*—Philip S. Hyder

(22) Filed: **Feb. 22, 2005**

(74) *Attorney, Agent, or Firm*—Pillsbury Winthrop Shaw Pittman LLP

**Related U.S. Application Data**

(62) Division of application No. 29/181,741, filed on May 16, 2003, now Pat. No. Des. 501,995.

(51) **LOC (8) Cl.** ..... **03-01**

(52) **U.S. Cl.** ..... **D3/321; D3/277**

(58) **Field of Classification Search** ..... D3/272,  
D3/273, 276, 281, 282, 291, 294, 900, 321,  
D3/232, 242, 226, 254, 277; 190/900, 100,  
190/124, 127; 147/48

See application file for complete search history.

(56) **References Cited**

**U.S. PATENT DOCUMENTS**

- D129,108 S 8/1941 Sprague
- 3,563,292 A \* 2/1971 Gordon et al. .... 147/48
- D247,993 S 5/1978 Calzone, III

(57) **CLAIM**

The ornamental design for a purse, as shown and described.

**DESCRIPTION**

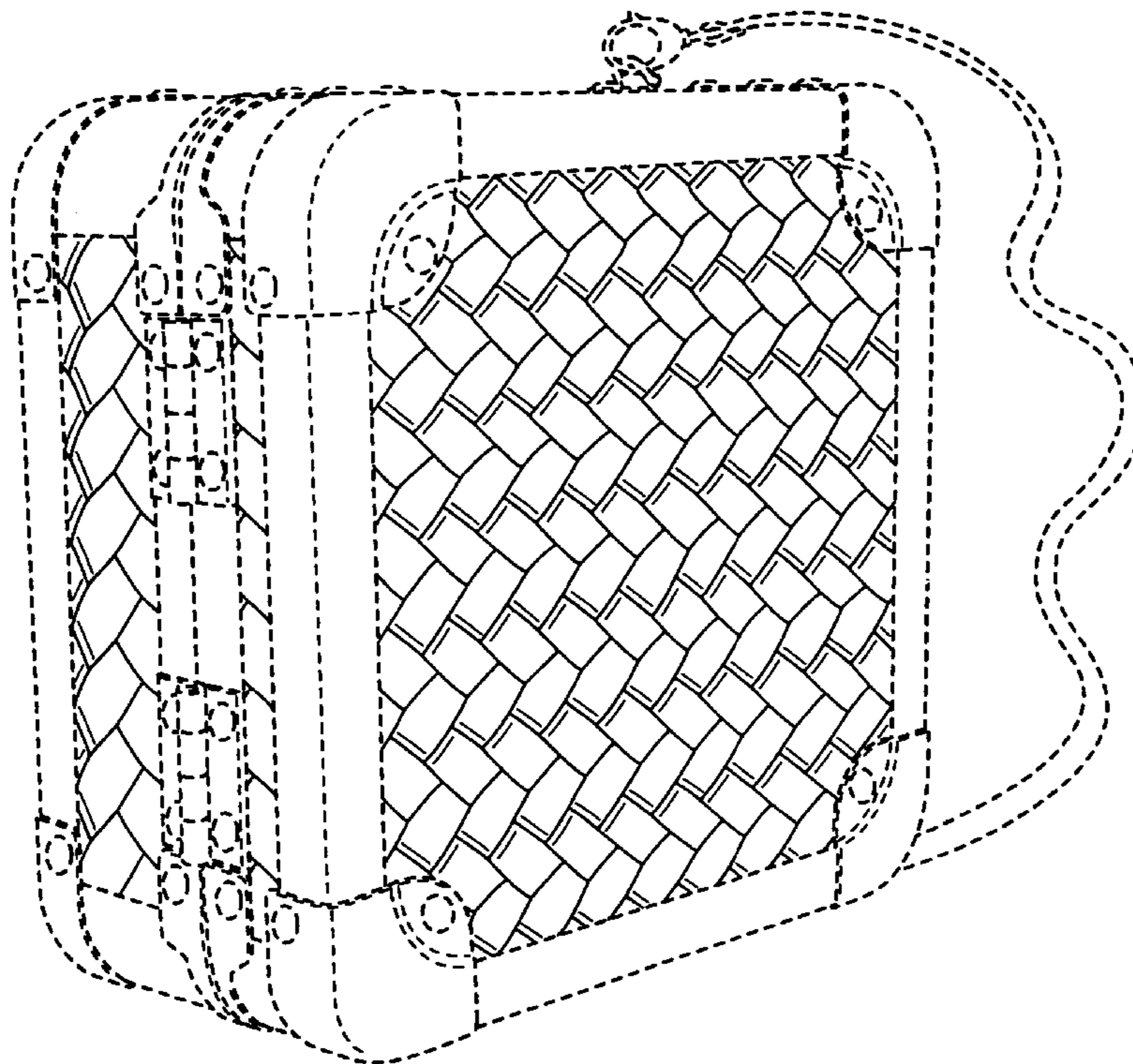
A portion of the disclosure of this patent document contains material to which a claim for copyright is made. The copyright owner has no objection to the facsimile reproduction of the patent document or the patent disclosure, as it appears in the Patent and Trademark Office patent file or records, but reserves all other copyrights whatsoever.

FIG. 1 is a perspective view of another alternative embodiment of a purse embodying our new design, with unclaimed portions of the purse shown in broken lines;

FIG. 2 is a front elevational view of the purse of FIG. 1; and, FIG. 3 is a rear elevational view of the purse of FIG. 1.

The broken line portions of the disclosure are for illustrative purposes only and form no part of the claimed design.

**1 Claim, 3 Drawing Sheets**



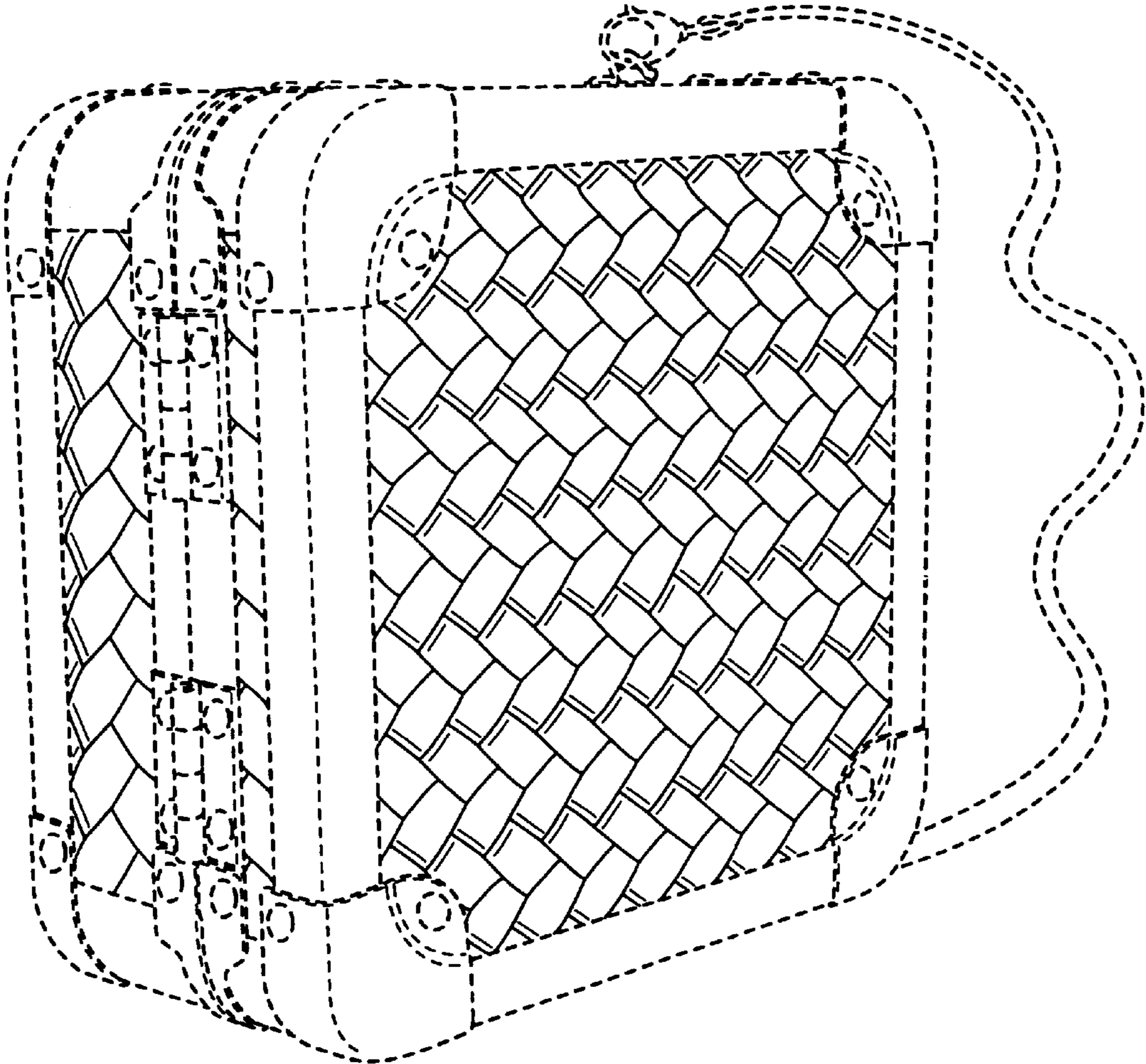


FIG. 1

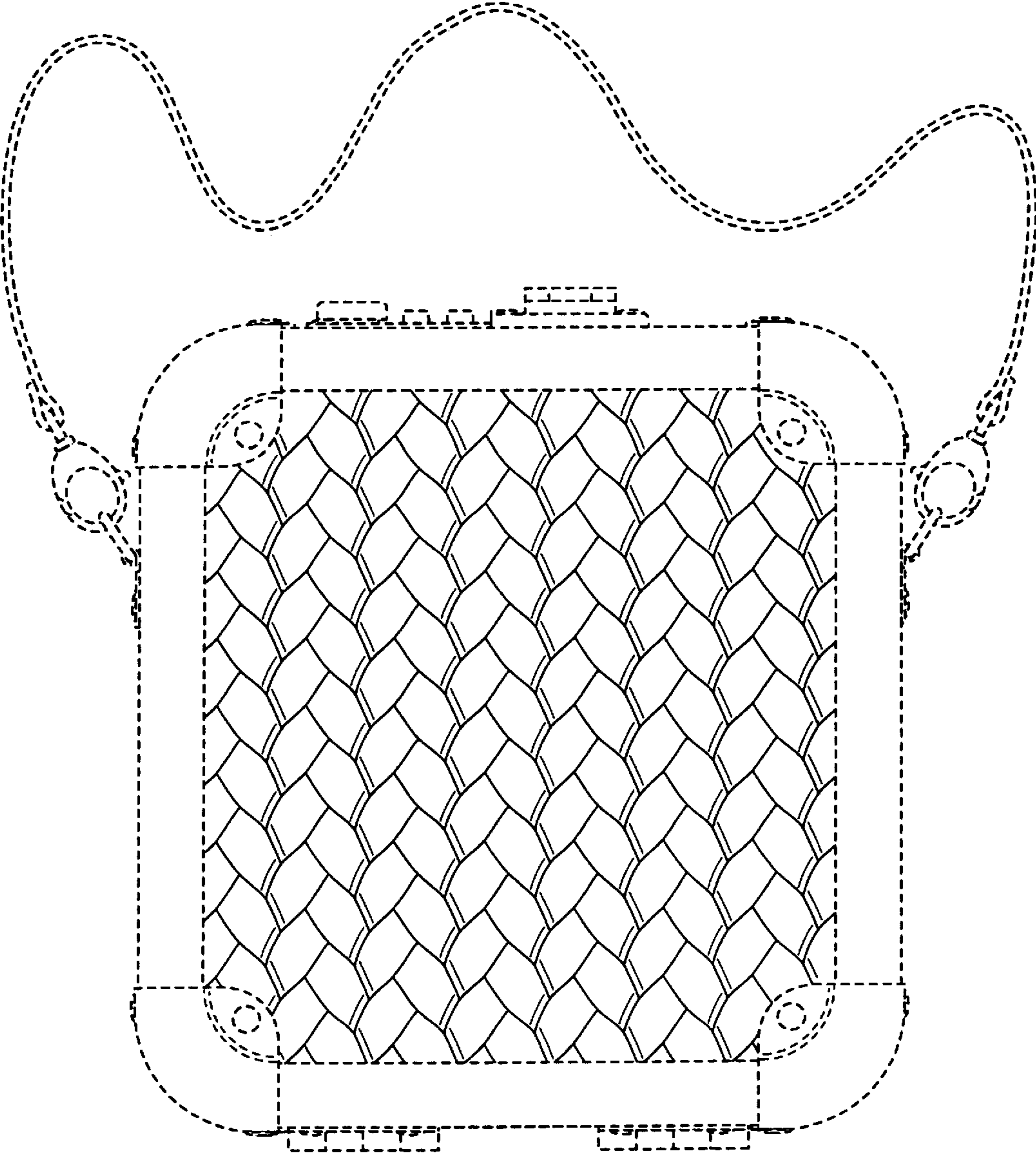


FIG. 2



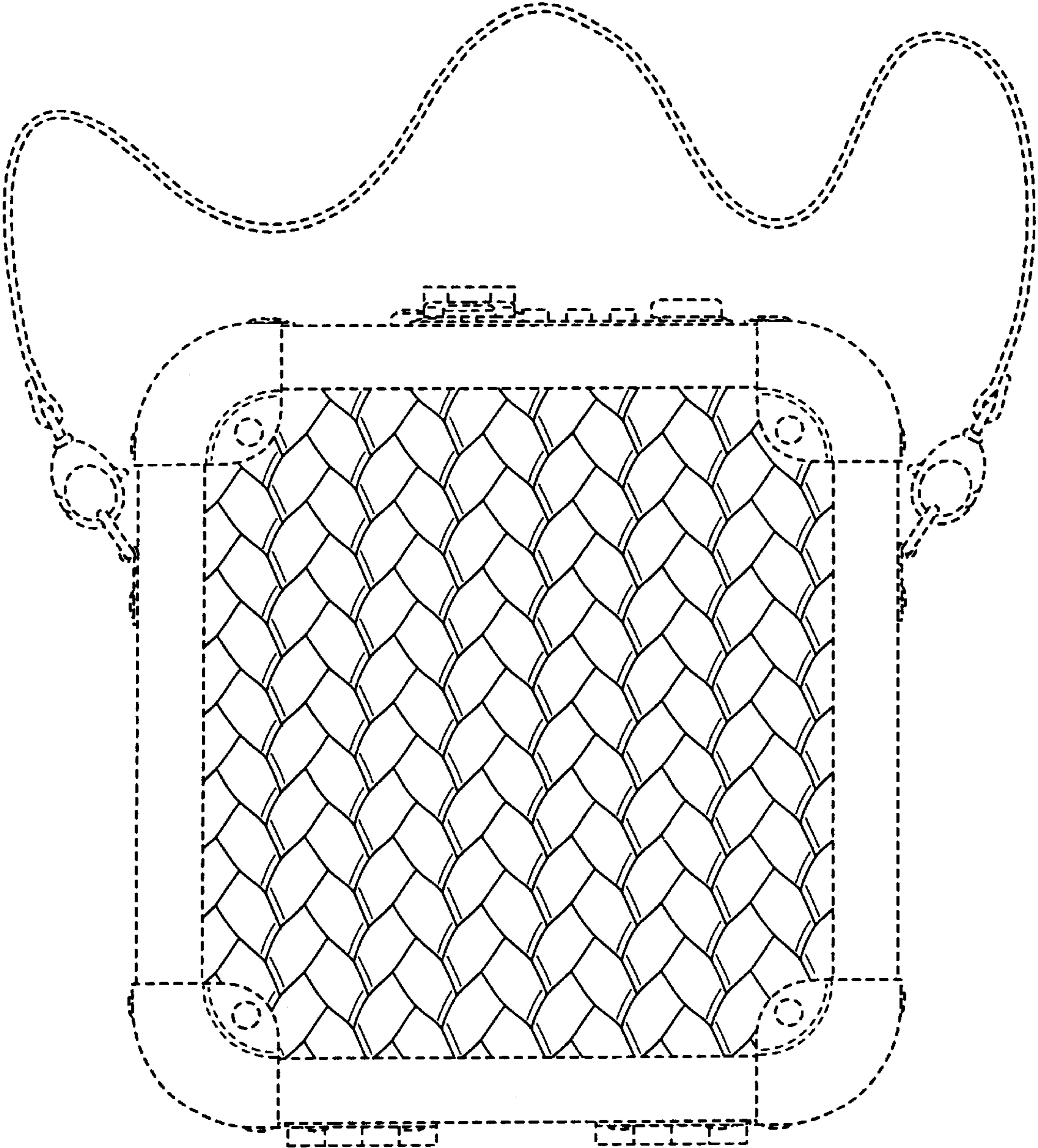


FIG. 3