



US00D516315S

(12) **United States Design Patent** (10) **Patent No.:** **US D516,315 S**
Pangerc et al. (45) **Date of Patent:** **** Mar. 7, 2006**

(54) **PAGE-TYPE BIT HOLDER ASSEMBLY**

FOREIGN PATENT DOCUMENTS

(75) Inventors: **James E. Pangerc**, Parkville, MD (US); **David L. Wikle**, York, PA (US)

DE G 8514919 8/1985
DE 20119665 3/2002

(73) Assignee: **Black & Decker Inc.**, Newark, DE (US)

Primary Examiner—Philip S. Hyder
(74) *Attorney, Agent, or Firm*—Harness, Dickey & Pierce, P.L.C.

(**) Term: **14 Years**

(57) **CLAIM**

(21) Appl. No.: **29/199,648**

The ornamental design for page-type bit holder assembly, as shown and described.

(22) Filed: **Feb. 18, 2004**

(51) **LOC (8) Cl.** **03-01**

(52) **U.S. Cl.** **D3/319; D3/318; D3/295**

(58) **Field of Classification Search** D3/294, D3/295, 905, 318, 319; 206/349, 372, 373, 206/378, 379, 457, 754, 755; 220/818, 819, 220/817

See application file for complete search history.

DESCRIPTION

FIG. 1 is a front perspective view of page-type bit holder assembly (the rear container portion is shown in phantom for environmental purposes only and forms no part of the invention);

FIG. 2 is a front perspective view of open page-type bit holder assembly in a fanned position (the container portions and bits are shown in phantom for environmental purposes only and form no part of the invention);

FIG. 3 is a front view thereof;

FIG. 4 is a rear view thereof;

FIG. 5 is a top view thereof;

FIG. 6 is a bottom view thereof;

FIG. 7 is a left side view thereof;

FIG. 8 is a right side view thereof;

FIG. 9 is a front perspective view of a second embodiment of page-type bit holder assembly (the rear container portion is shown in phantom for environmental purposes only and forms no part of the invention);

FIG. 10 is a front perspective view of the second embodiment of open page-type bit holder assembly in a fanned position (the container portions and bits are shown in phantom for environmental purposes only and form no part of the invention);

FIG. 11 is a front view thereof;

FIG. 12 is a rear view thereof;

FIG. 13 is a top view thereof;

FIG. 14 is a bottom view thereof;

FIG. 15 is a left side view thereof; and,

FIG. 16 is a right side view thereof.

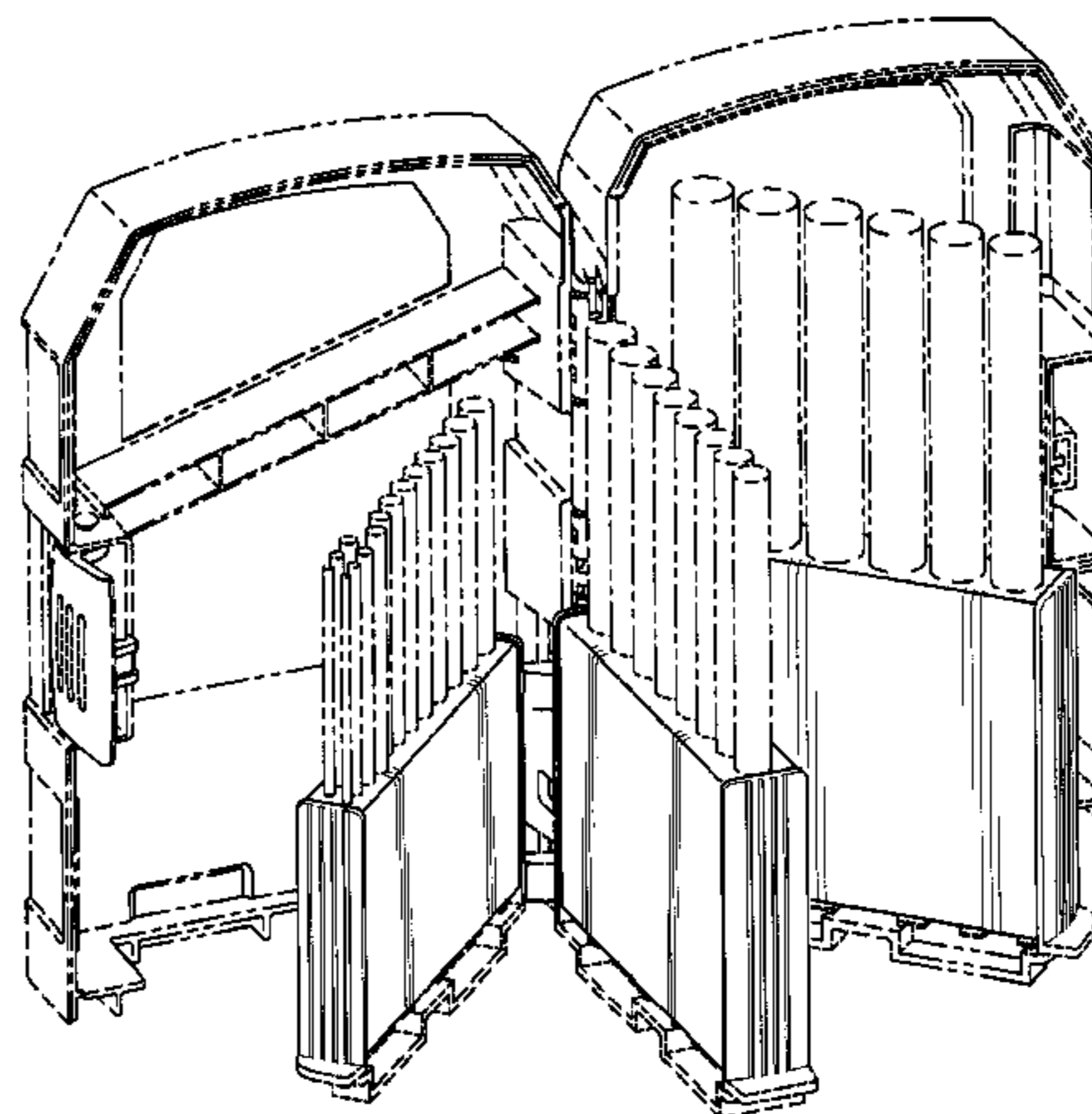
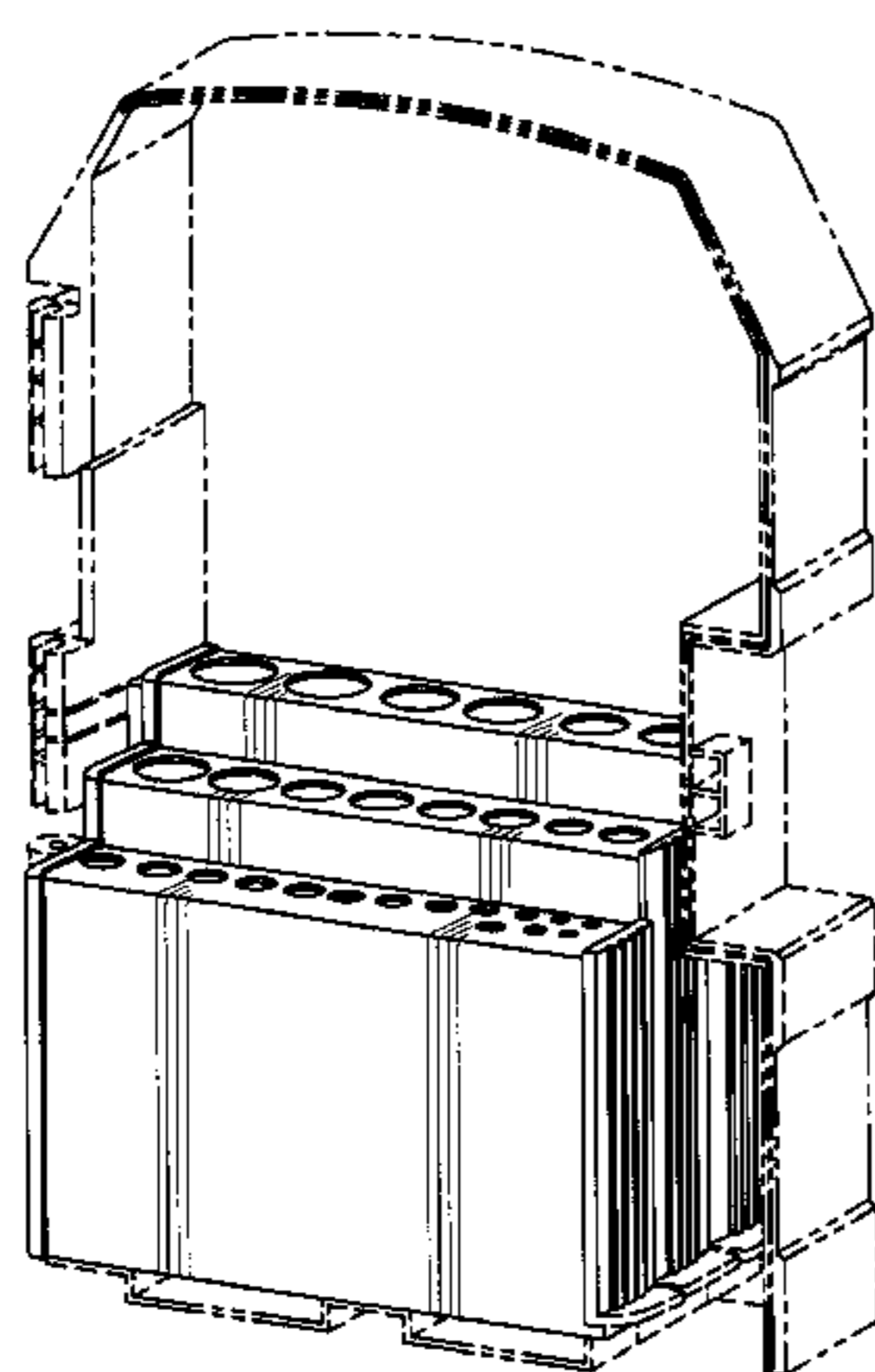
(56) **References Cited**

U.S. PATENT DOCUMENTS

1,013,576	A	1/1912	Wermerskirchen	
13,408	A	4/1912	Sine	
2,403,825	A	7/1946	Nissenbaum	
2,564,601	A	8/1951	Huot	
2,568,089	A	9/1951	Pendleton	
2,589,234	A	3/1952	Drohman	
3,018,876	A	1/1962	Huot	
3,074,539	A	1/1963	Rogovin	
4,006,821	A	2/1977	Sautter	
D266,115	S	9/1982	Glenn, Sr. et al.	
D277,339	S	* 1/1985	Huot et al.	D3/295
4,660,719	A	4/1987	Peterson et al.	
D294,197	S	* 2/1988	Abbott	D3/295
4,848,585	A	7/1989	Snyder	
D317,380	S	6/1991	Snyder	
D334,534	S	4/1993	Friz et al.	
5,746,316	A	5/1998	La Barre	
5,813,533	A	9/1998	Knoblauch	
5,829,596	A	* 11/1998	Budert	206/379
D431,359	S	10/2000	Lapidus	
D436,441	S	1/2001	Lapidus	
6,283,291	B1	* 9/2001	Vasudeva et al.	206/373

(Continued)

1 Claim, 8 Drawing Sheets



US D516,315 S

Page 2

U.S. PATENT DOCUMENTS

D449,518 S	*	10/2001	Snider et al.	D9/415	D461,311 S	*	8/2002	Gharib	D3/315
D449,931 S	*	11/2001	Snider	D3/294	6,547,074 B1	*	4/2003	Chen	206/379
D459,967 S	*	7/2002	Johnson et al.	D8/71	6,547,077 B1	*	4/2003	Budert	206/754

* cited by examiner

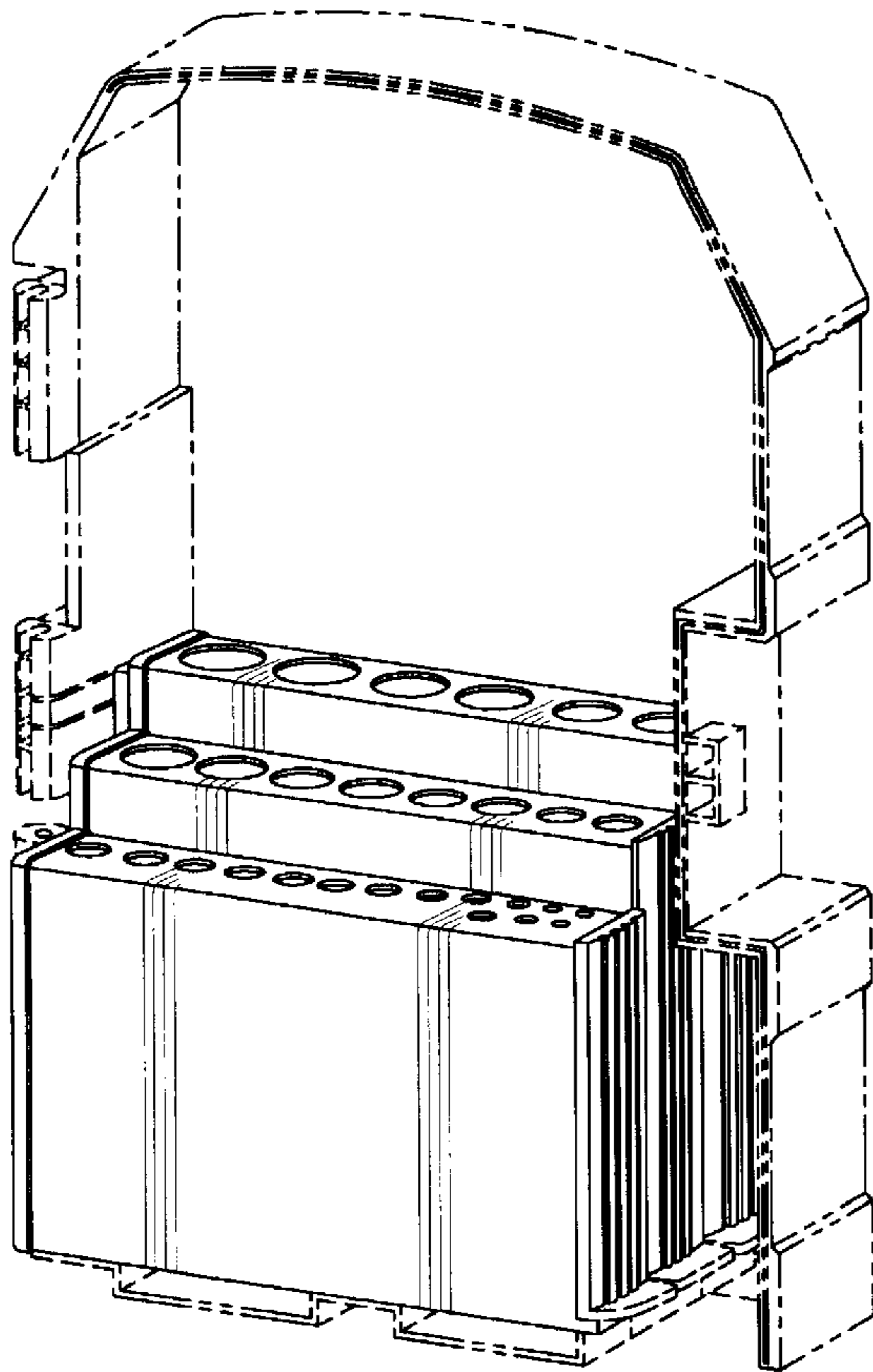


Fig-1

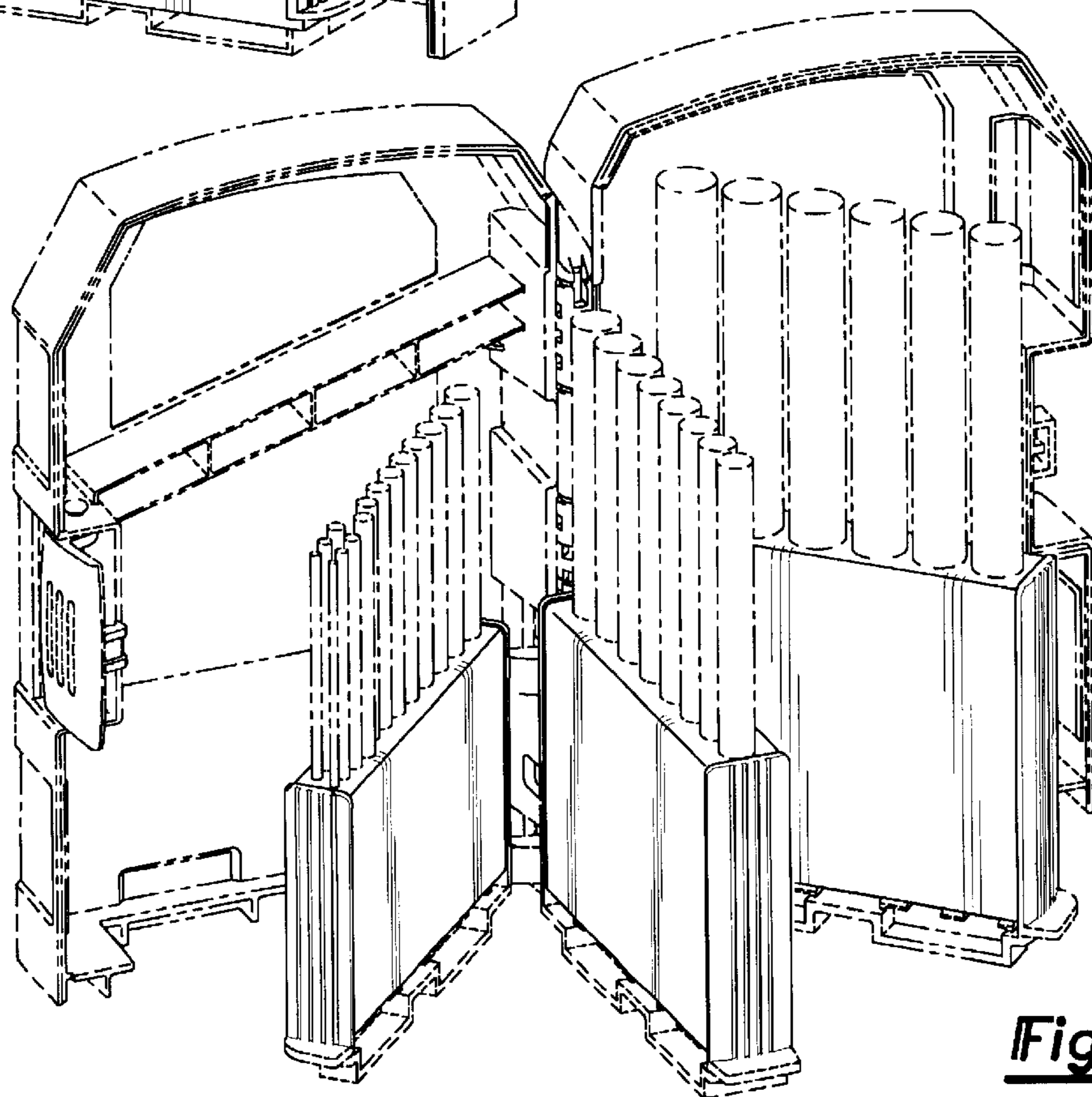


Fig-2

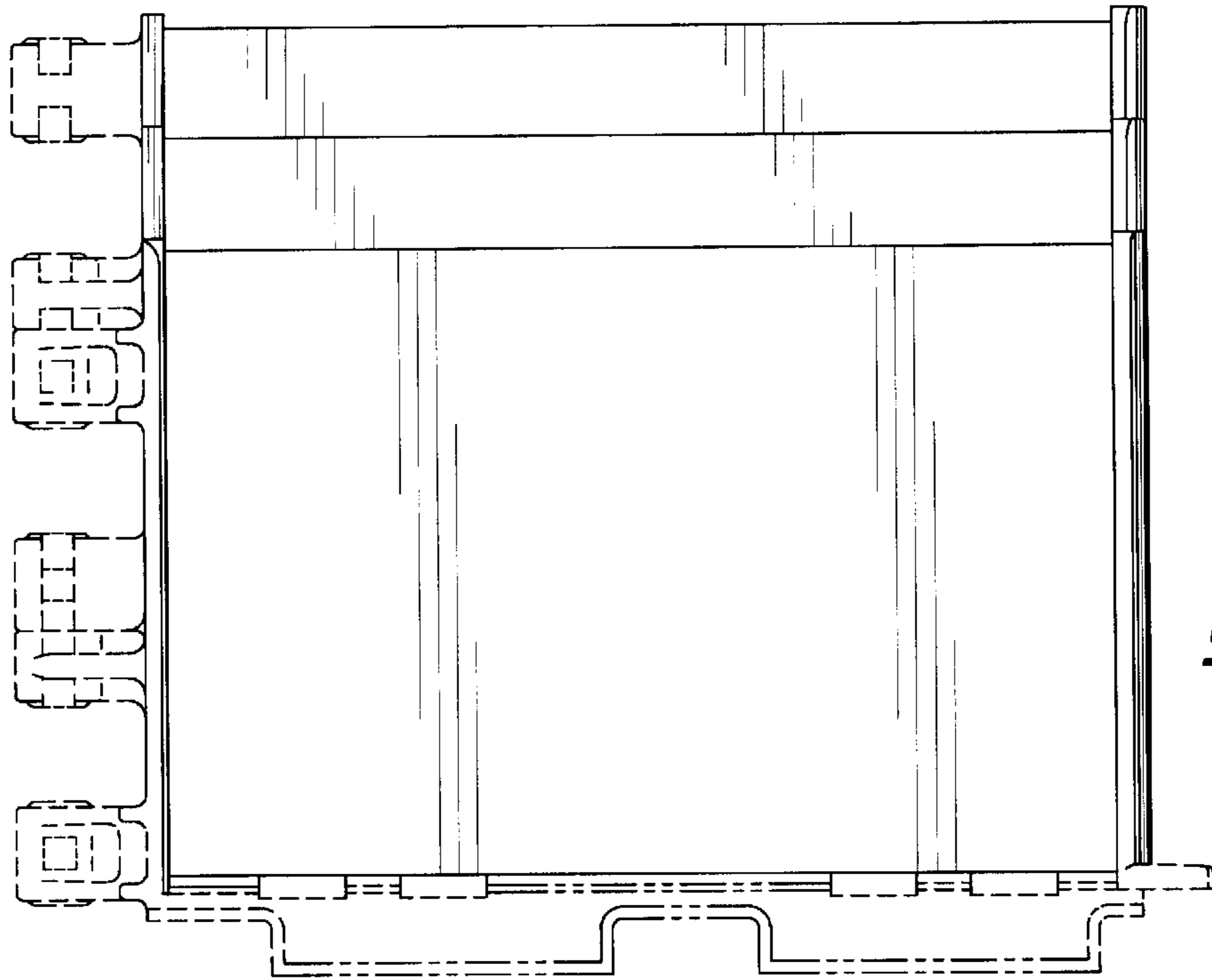


Fig-3

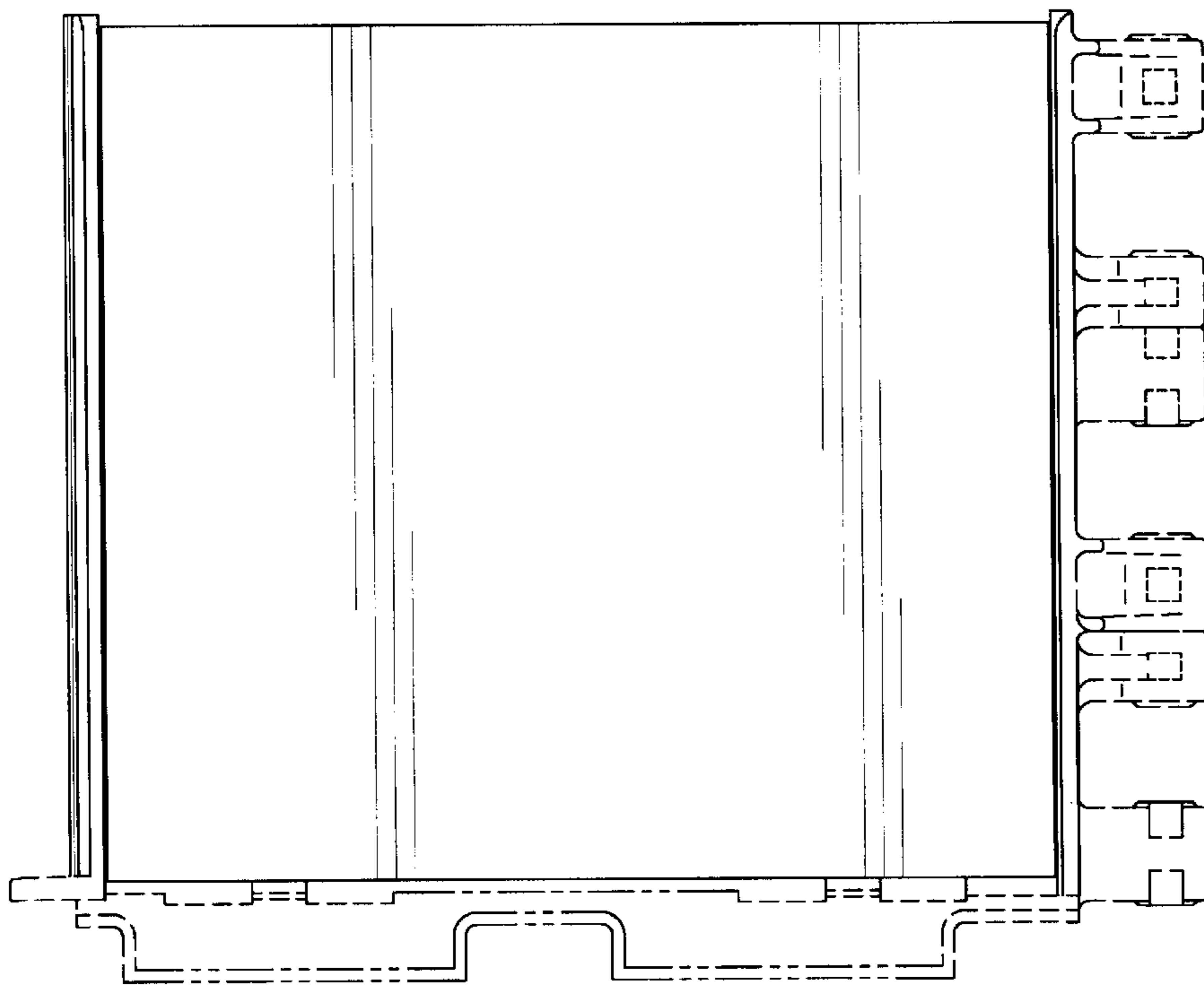


Fig-4

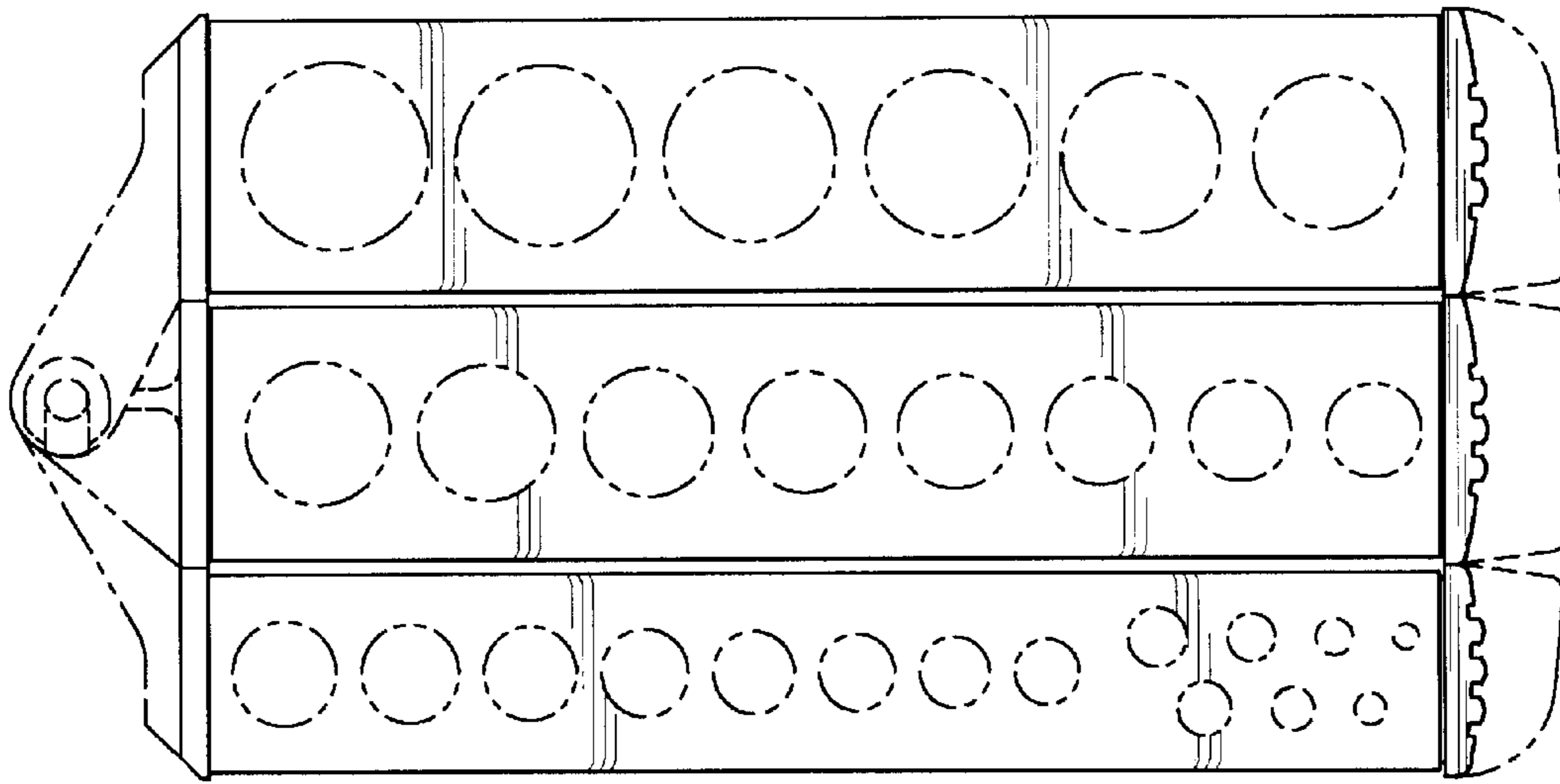


Fig-5

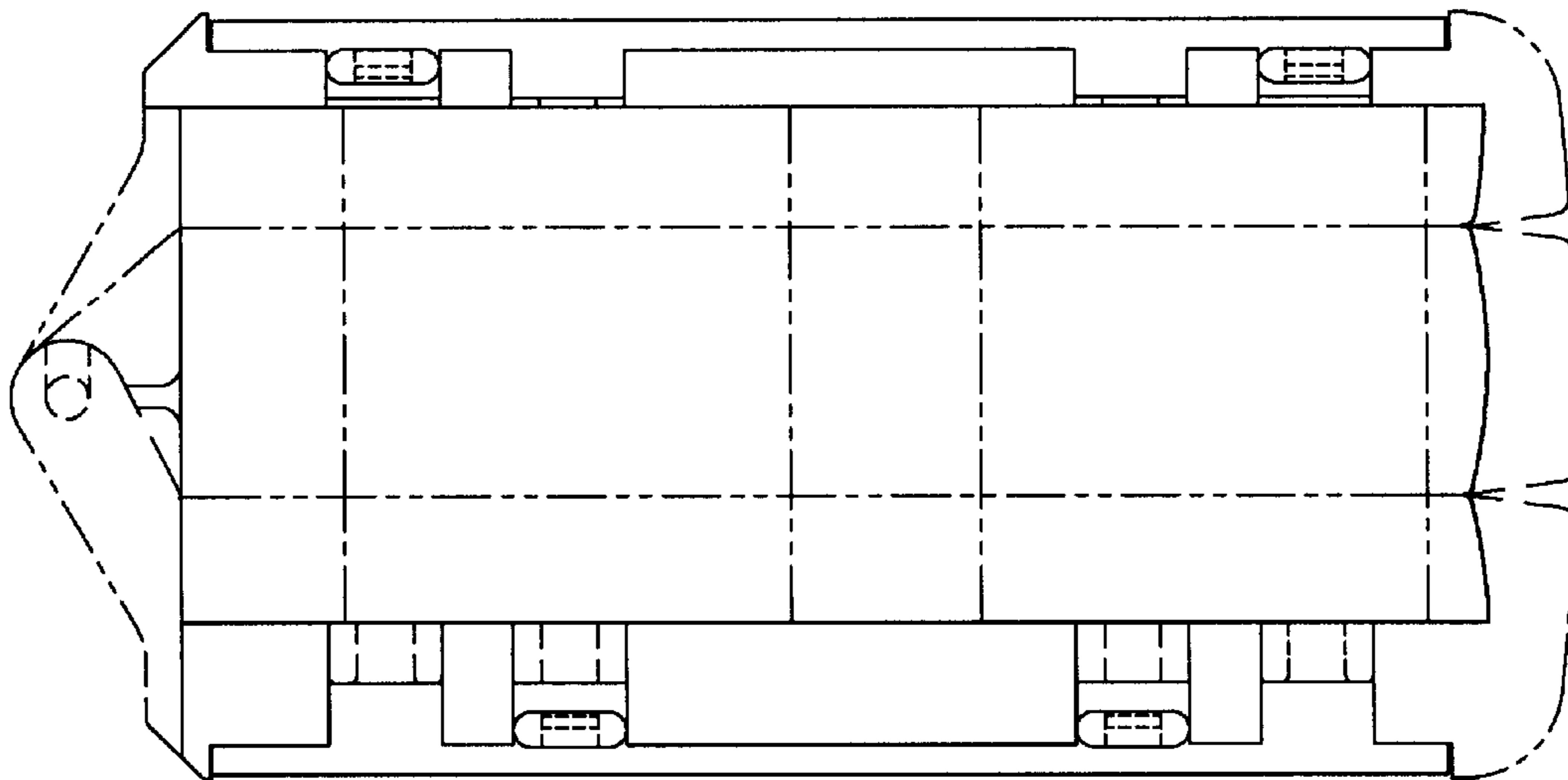


Fig-6

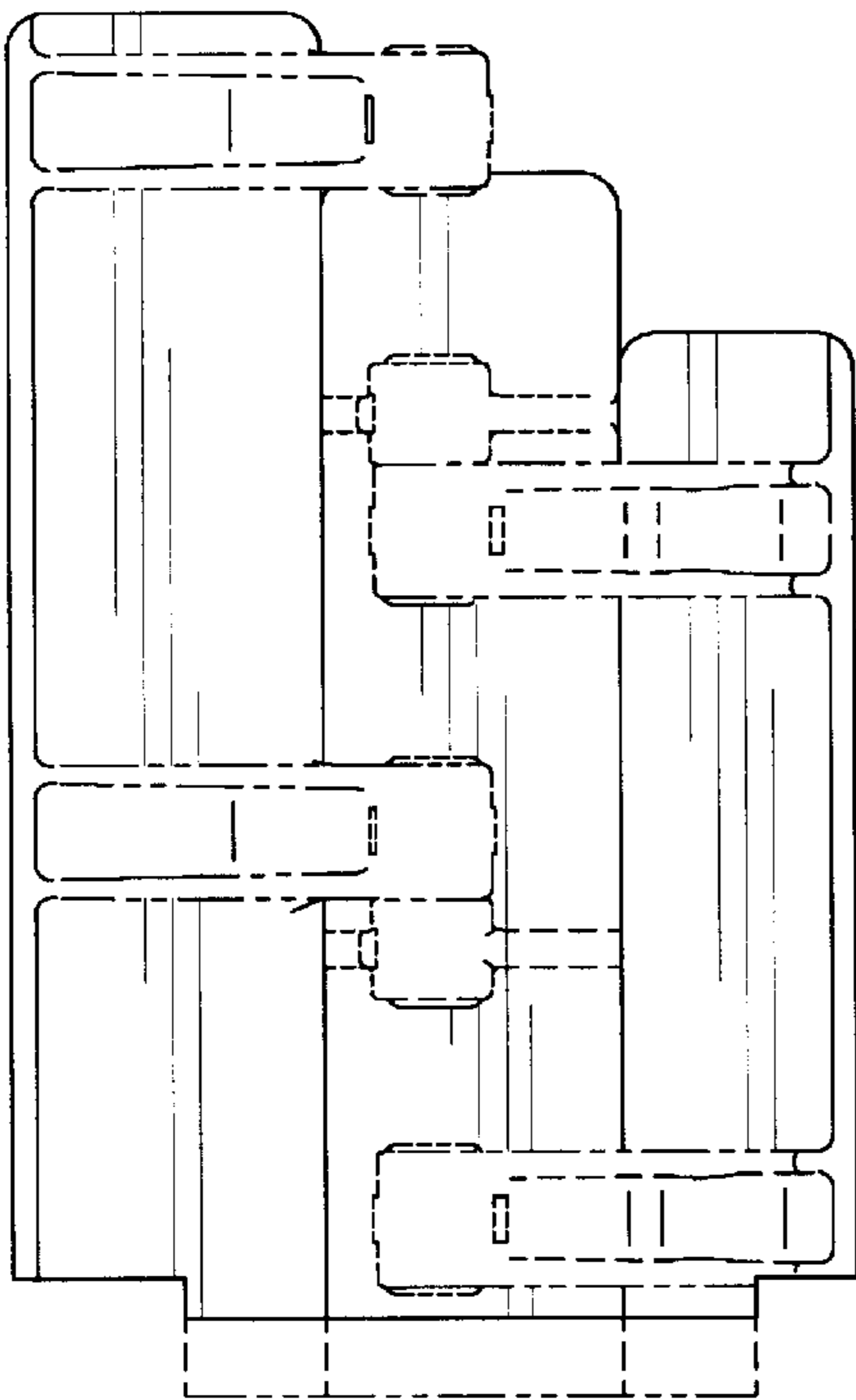


Fig-7

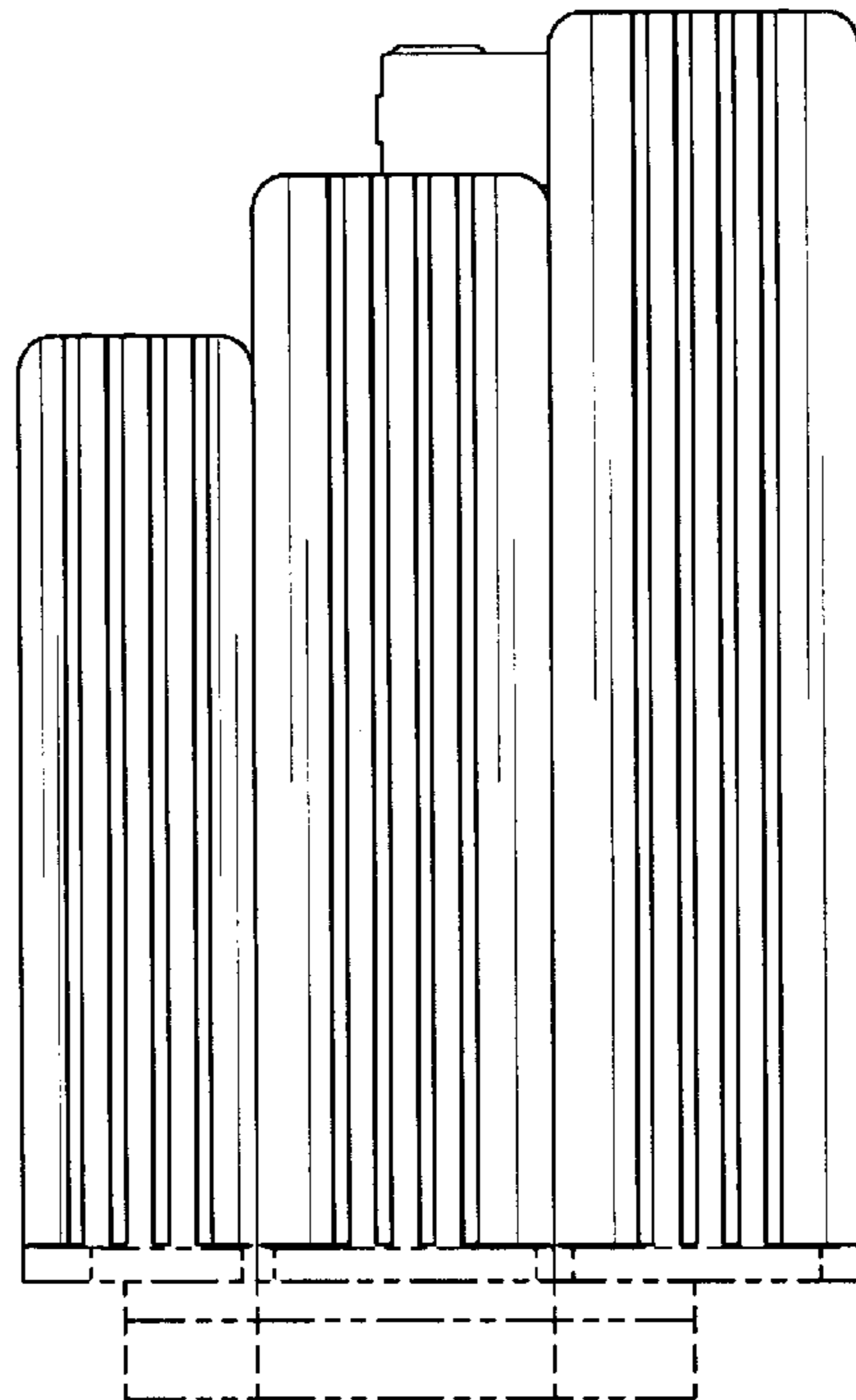


Fig-8

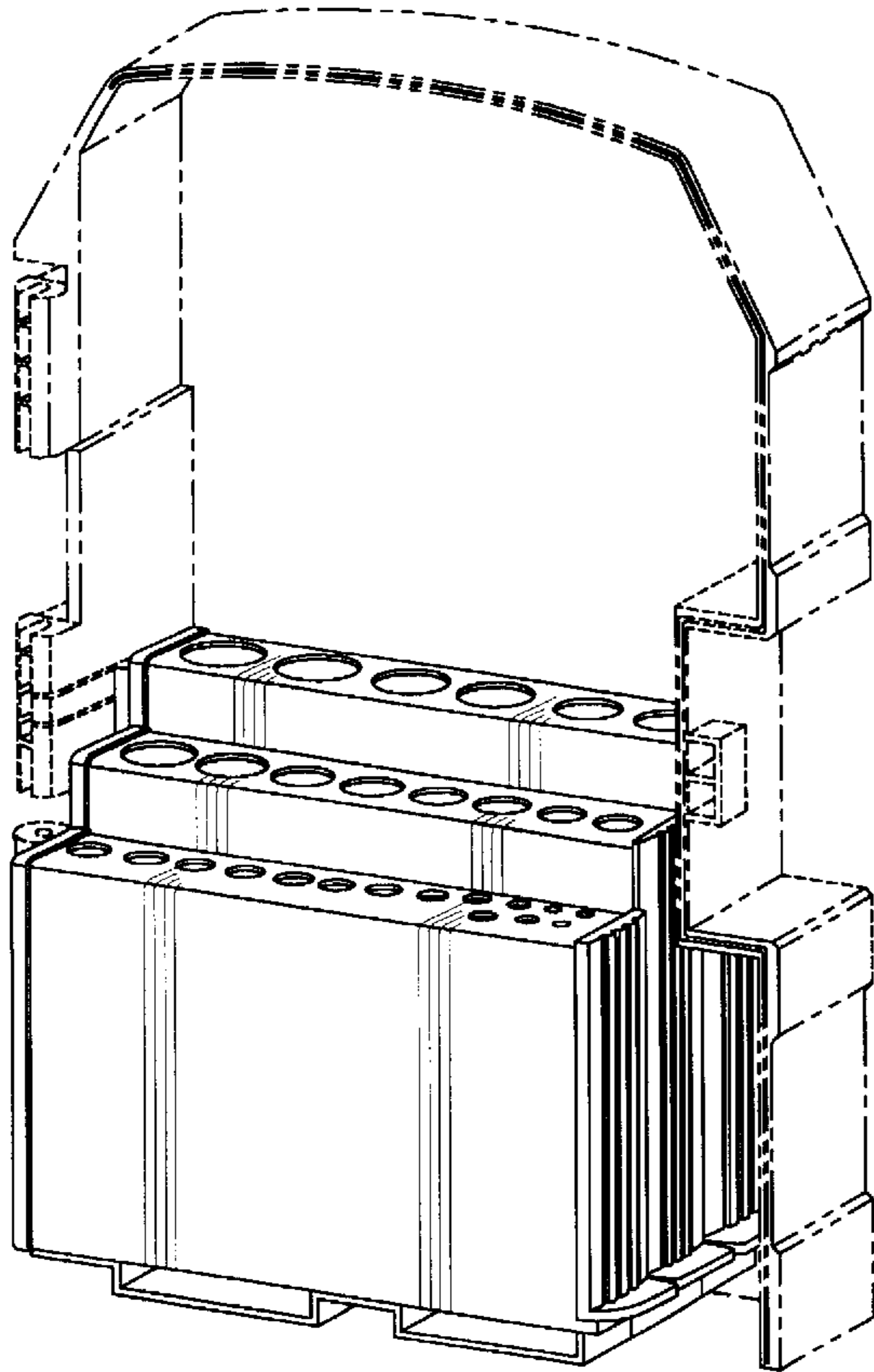


Fig-9

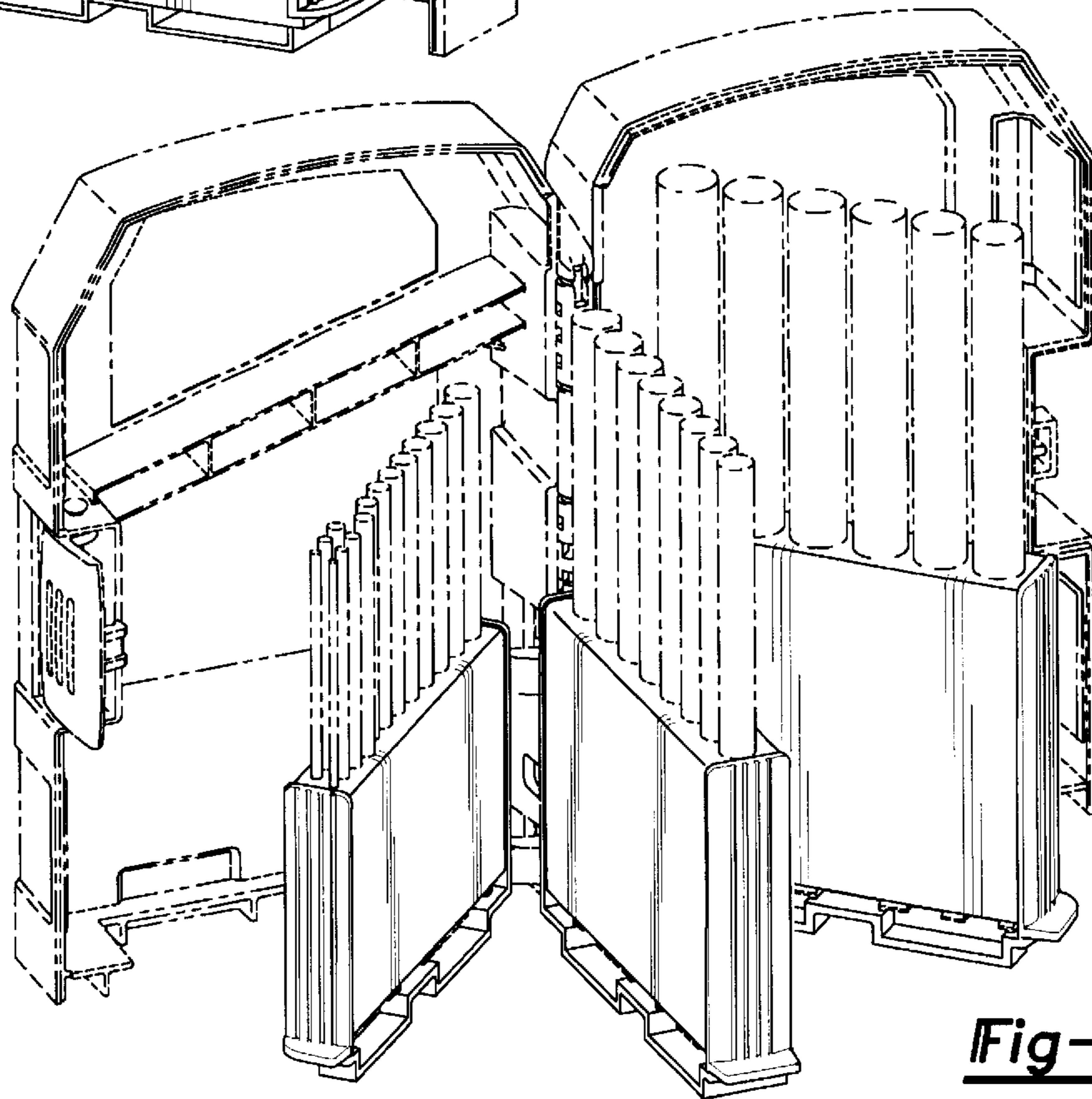


Fig-10

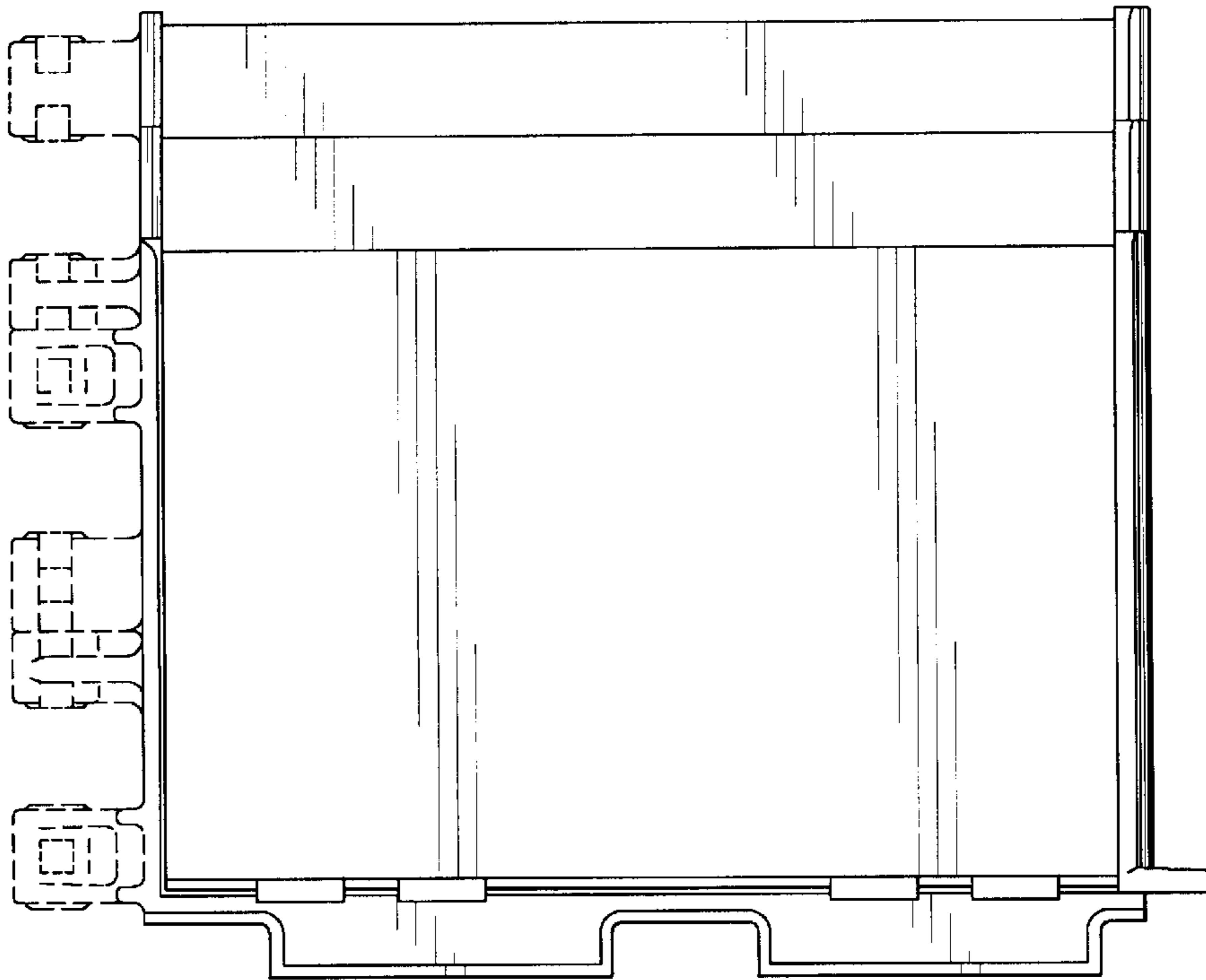


Fig-11

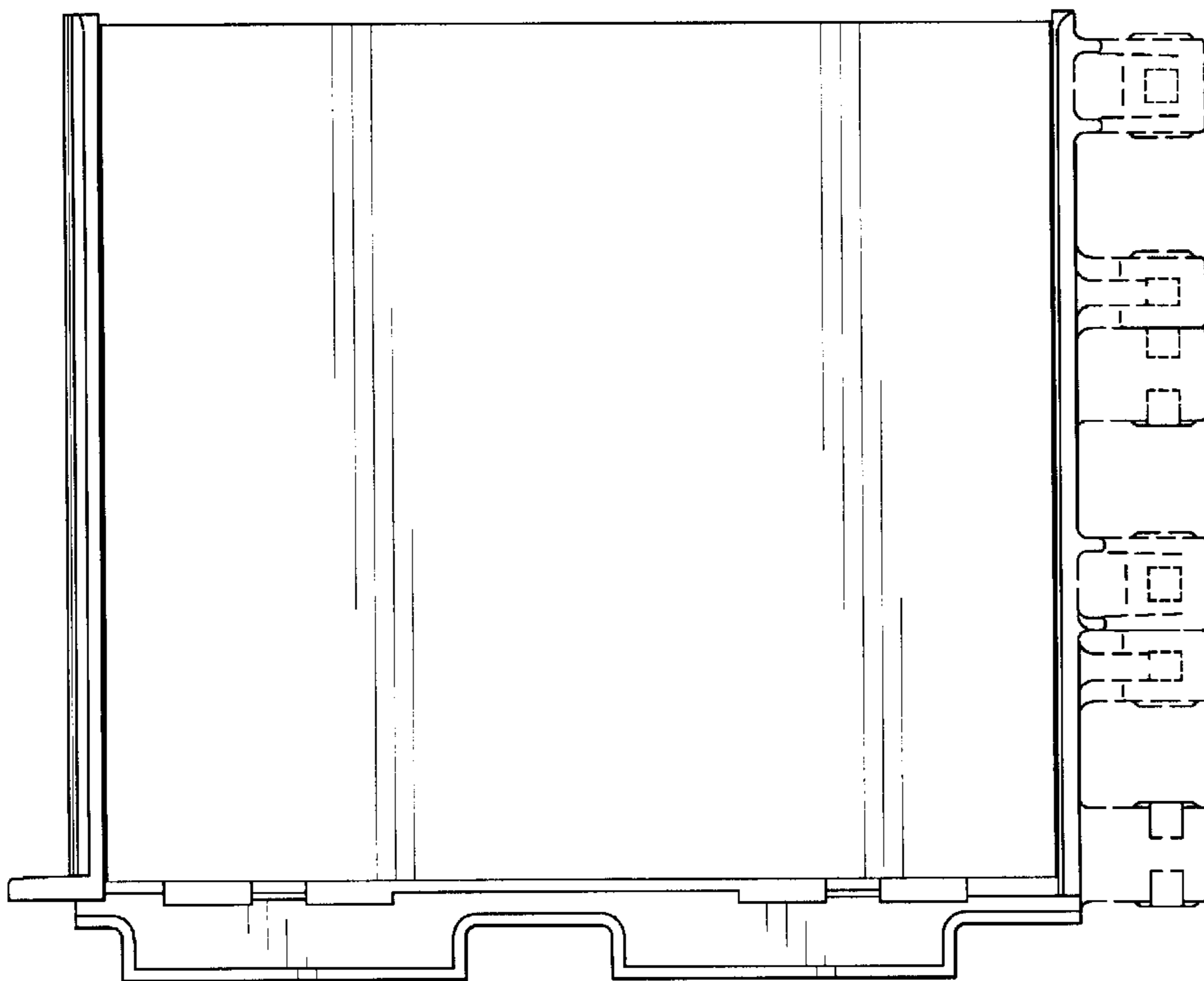


Fig-12

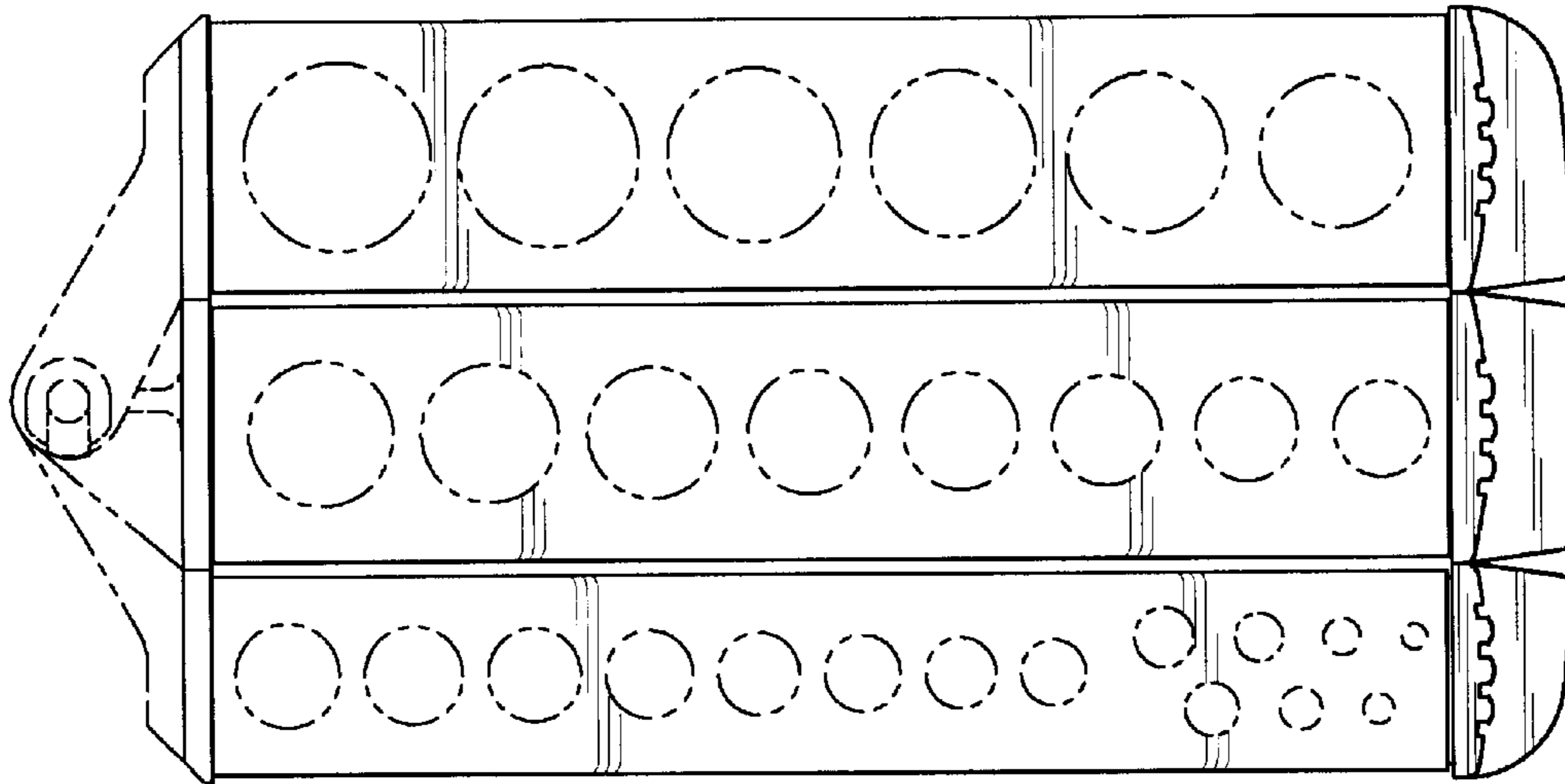


Fig-13

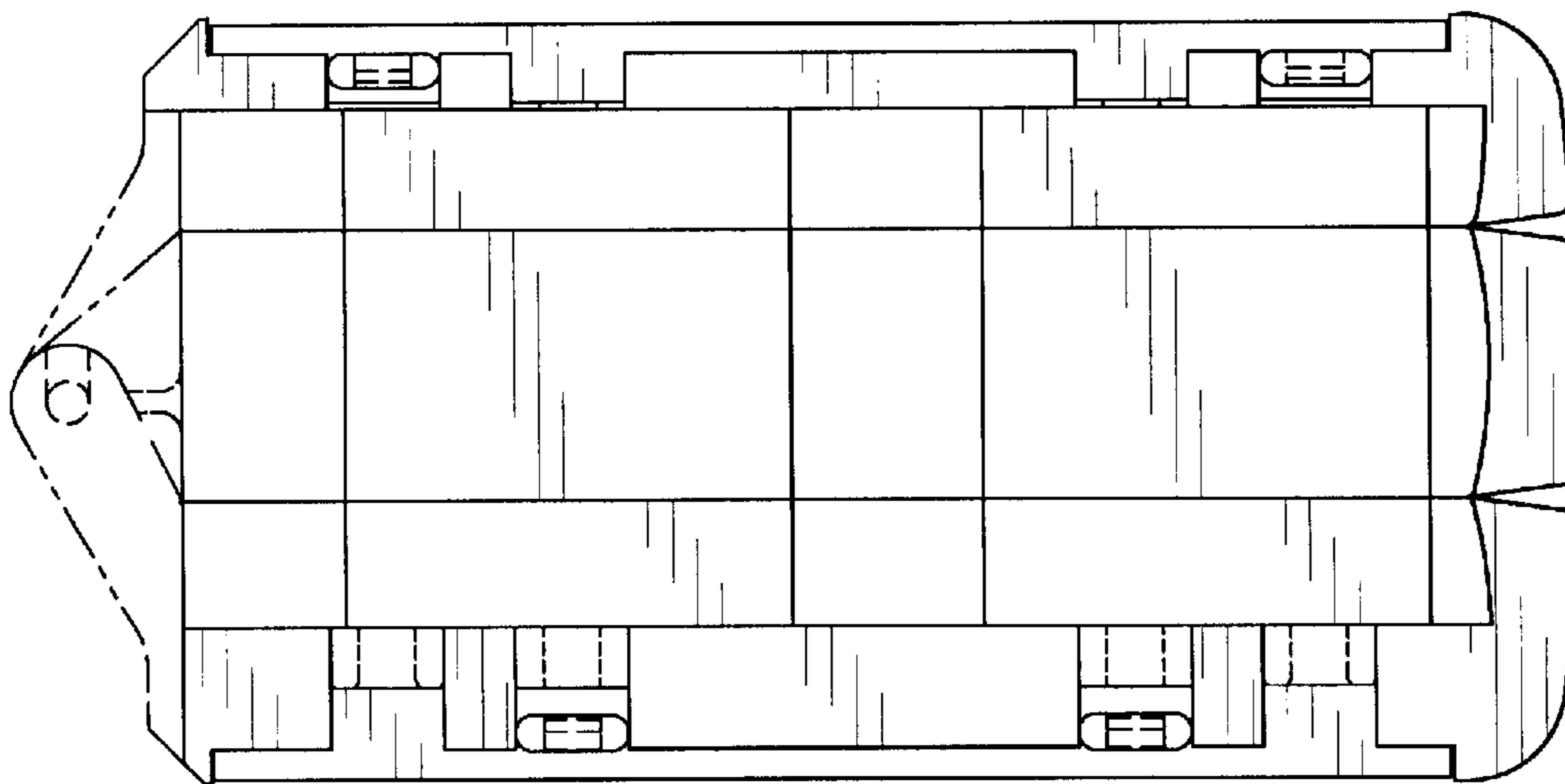


Fig-14

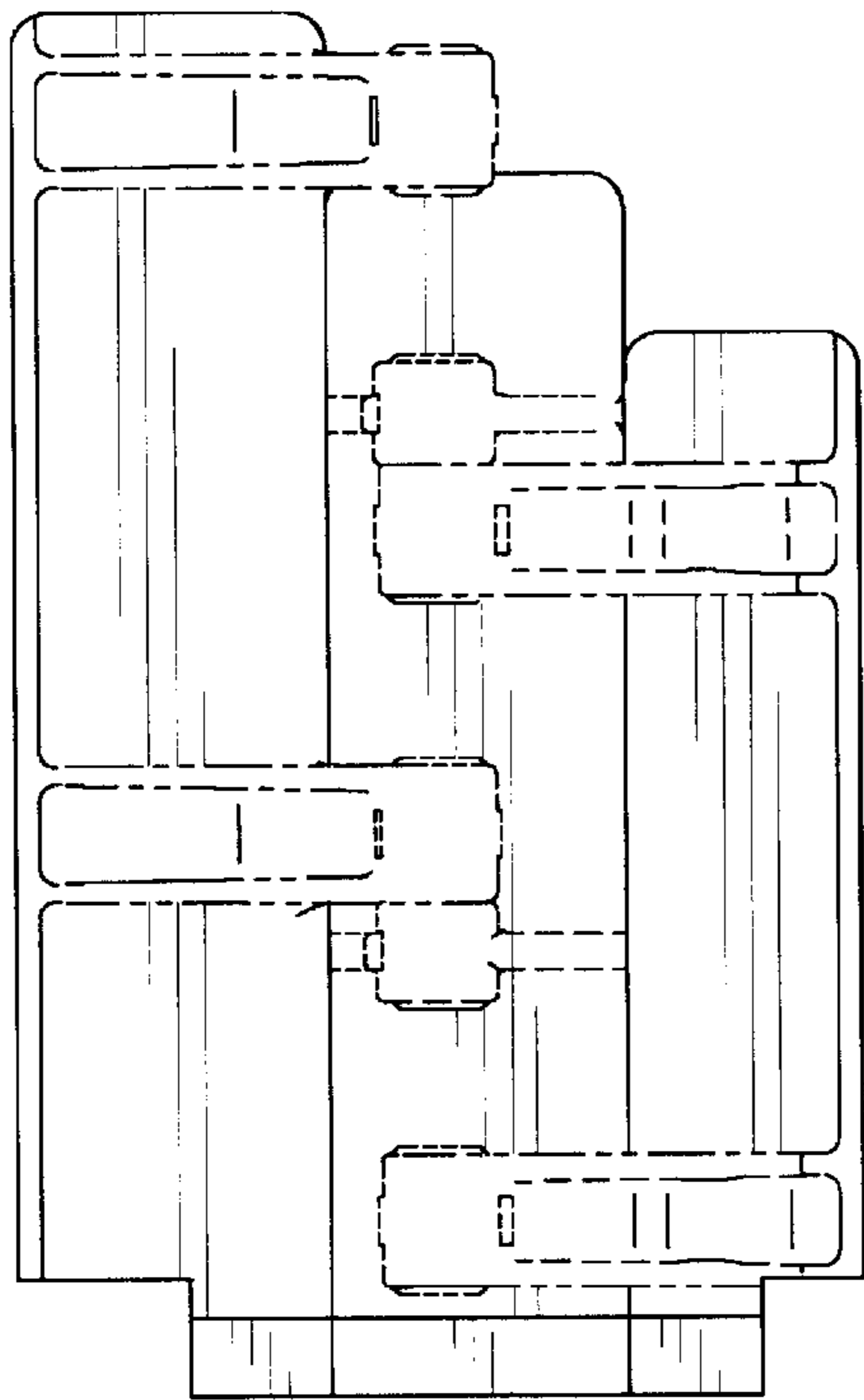


Fig-15

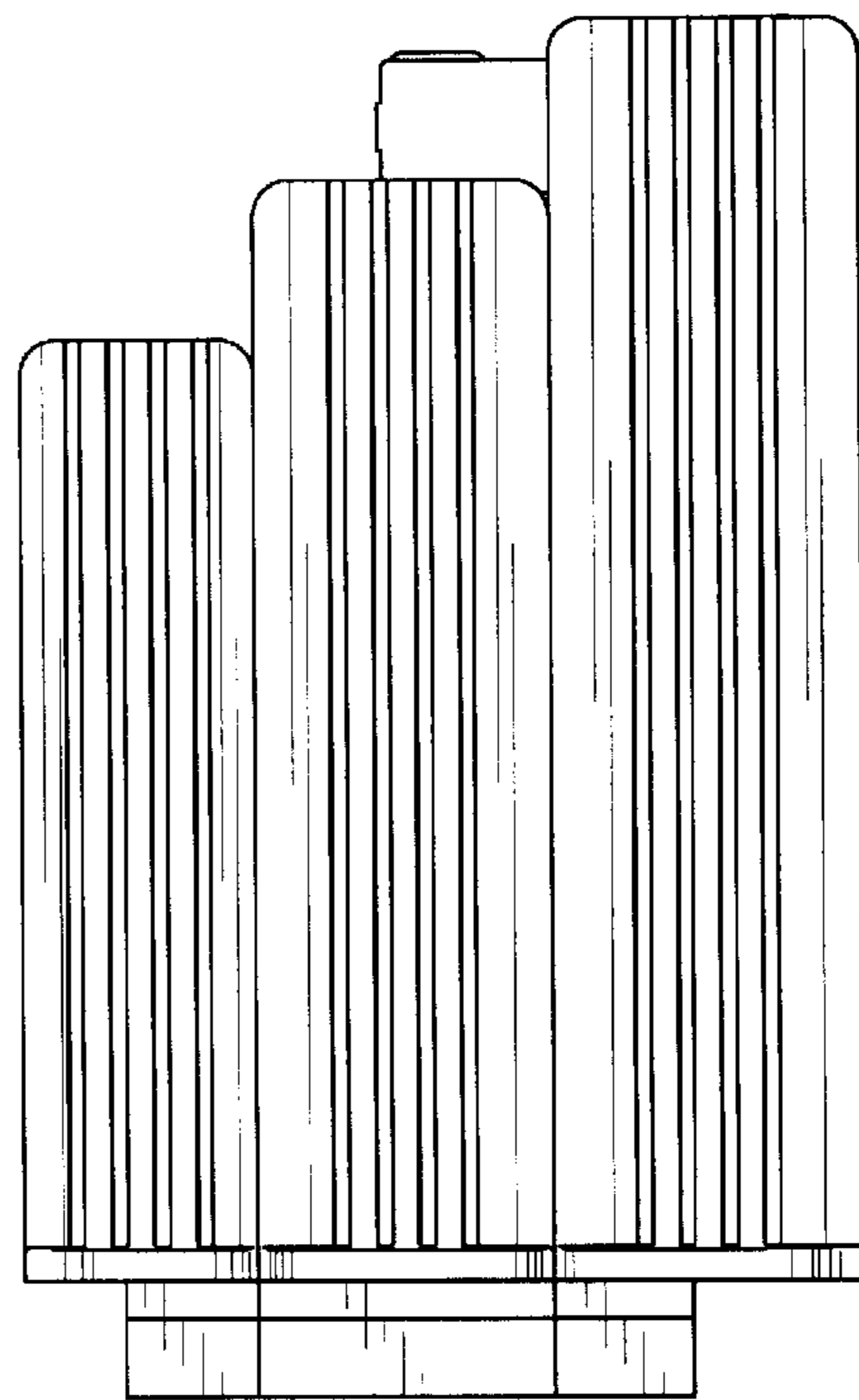


Fig-16