



US00D516314S

(12) **United States Design Patent**
Tagliati

(10) **Patent No.:** **US D516,314 S**
(45) **Date of Patent:** **** Mar. 7, 2006**

(54) **POCKETS FOR HOLDING ITEMS IN A PICNIC PACK**

(76) **Inventor:** **Mario Tagliati**, 772 Country Valley Rd., Thousand Oaks, CA (US) 91362

(**) **Term:** **14 Years**

(21) **Appl. No.:** **29/191,268**

(22) **Filed:** **Oct. 3, 2003**

(51) **LOC (8) Cl.** **03-99**

(52) **U.S. Cl.** **D3/319**

(58) **Field of Classification Search** D3/318-328,
D3/54, 37; 383/907; 224/250, 223, 651-654;
150/112; 190/109-111, 900-903

See application file for complete search history.

(56) **References Cited**

U.S. PATENT DOCUMENTS

D182,212 S * 2/1958 Weiner D3/319
D283,560 S * 4/1986 Uchin D3/319
D336,154 S * 6/1993 Phillips D3/320

D472,417 S * 4/2003 Hunt D6/549

* cited by examiner

Primary Examiner—Sandra S. Snapp

(74) *Attorney, Agent, or Firm*—Trojan Law Offices

(57) **CLAIM**

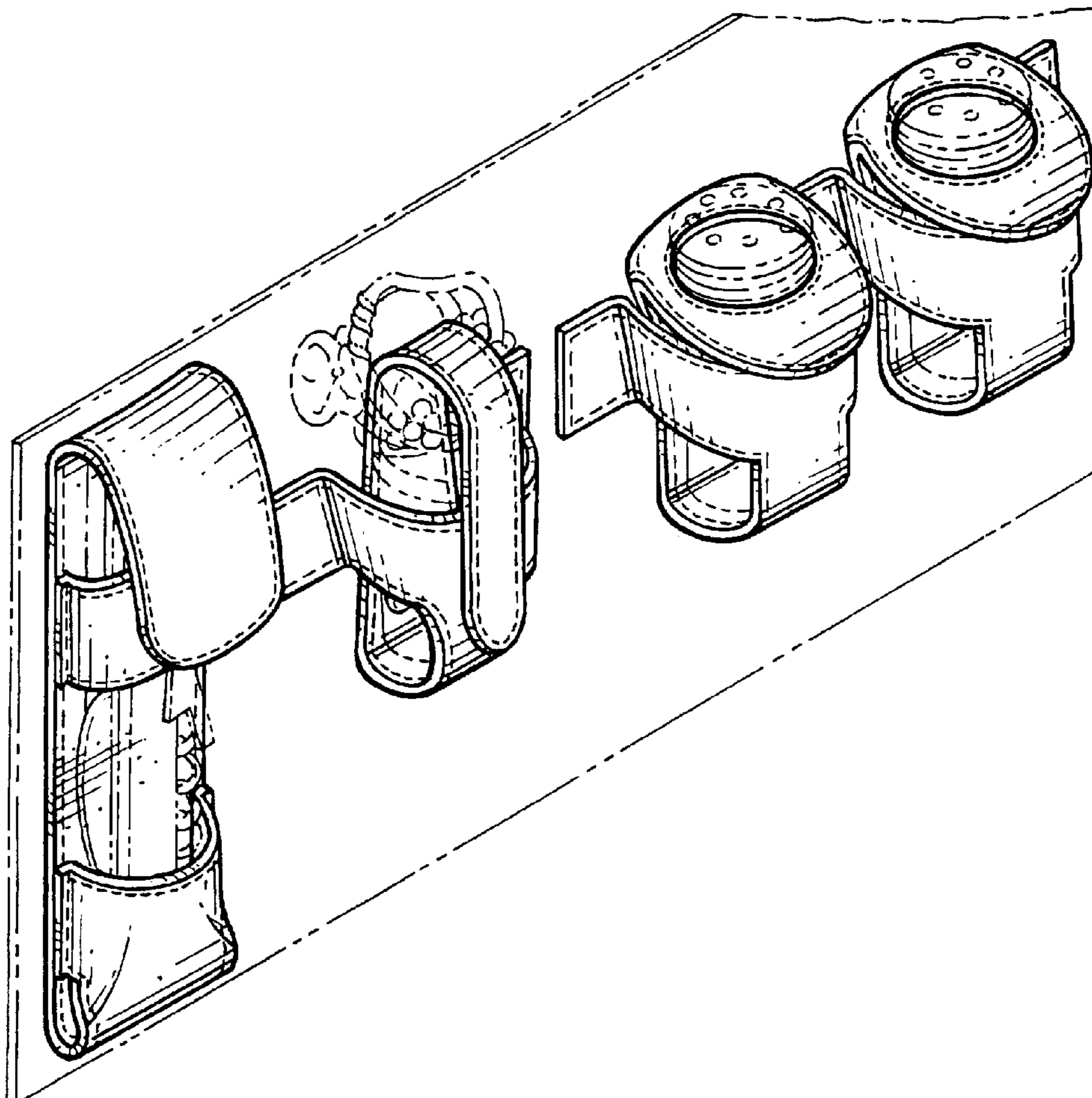
The ornamental design for pockets for holding items in a picnic pack, substantially as shown and described.

DESCRIPTION

FIG. 1 is an isometric view of pockets for holding items in a picnic pack showing my novel pocket designs; FIG. 2 is a front view thereof; FIG. 3 is a top view thereof; FIG. 4 is a bottom plan view thereof; FIG. 5 is a left side elevational view thereof; and, FIG. 6 is a right side elevational view thereof.

The evenly spaced pattern of broken lines in the drawings represent a pattern of stitching. The long and short broken lines showing environment in the drawings are for illustrative purposes only and form no part of the claimed design.

1 Claim, 3 Drawing Sheets



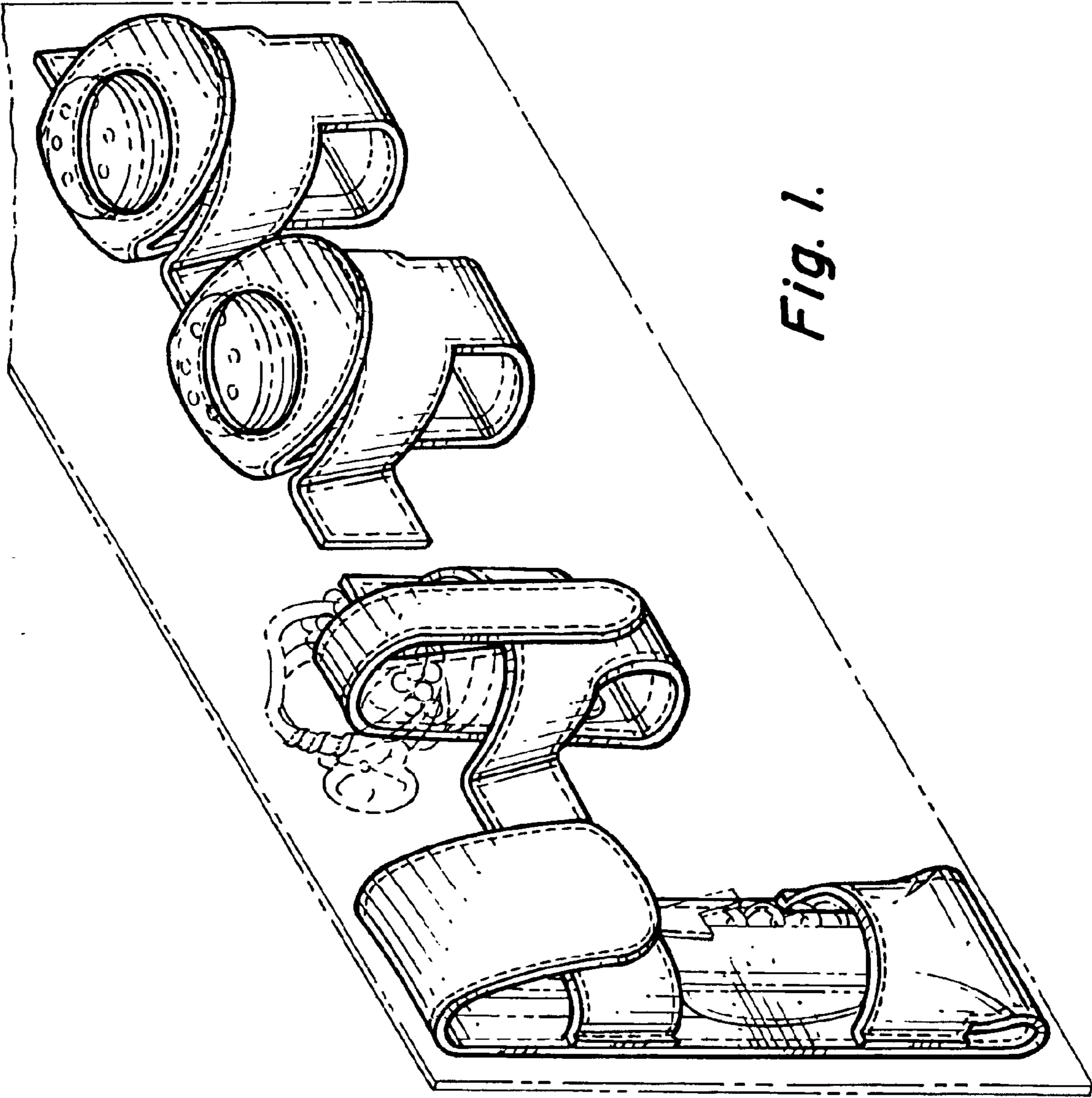


Fig. 1.

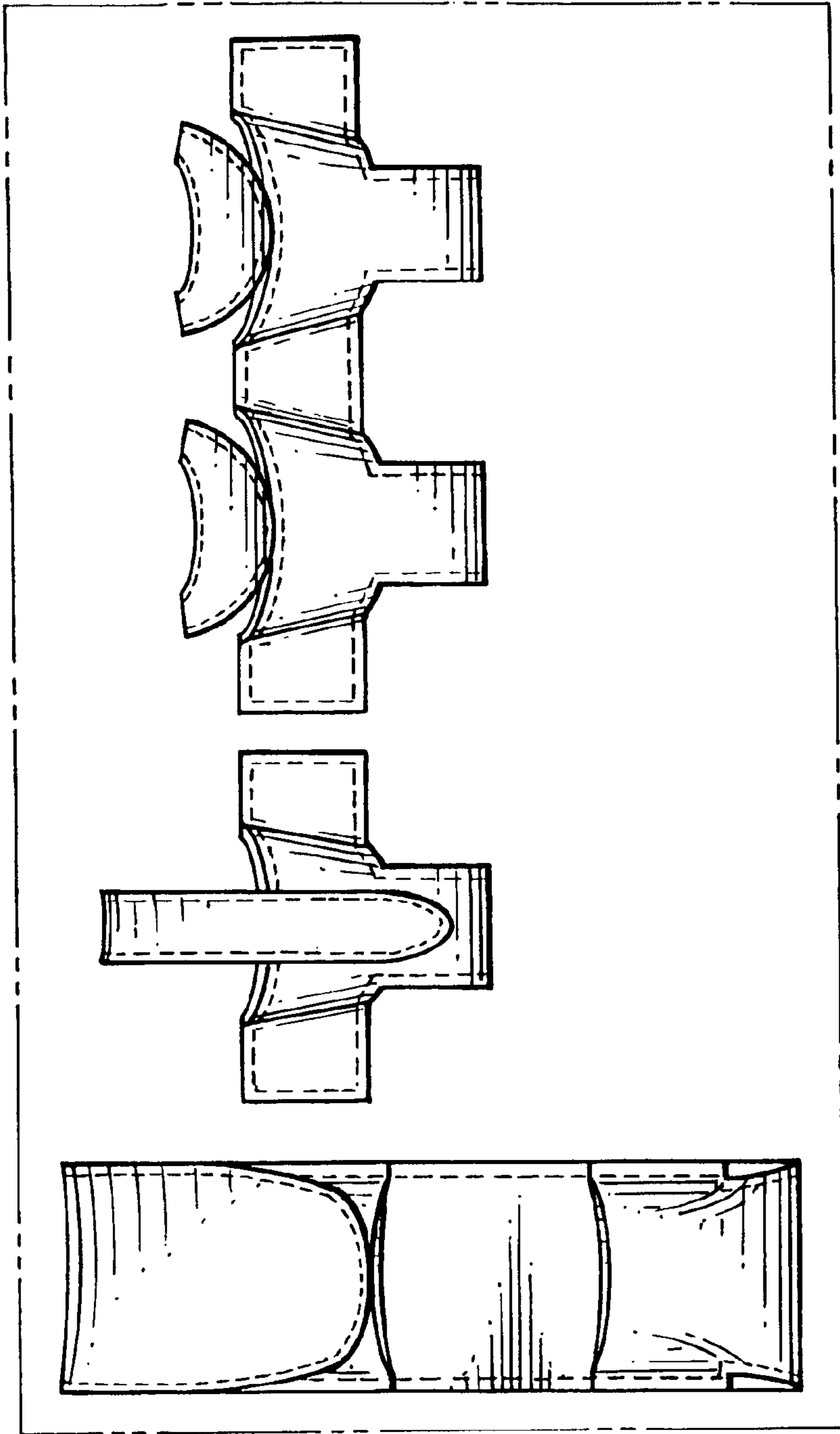


Fig. 2

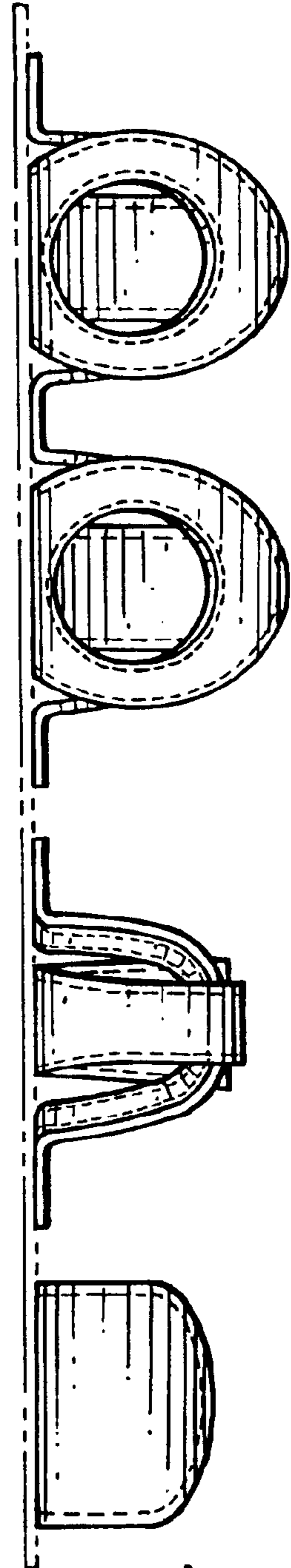


Fig. 3.

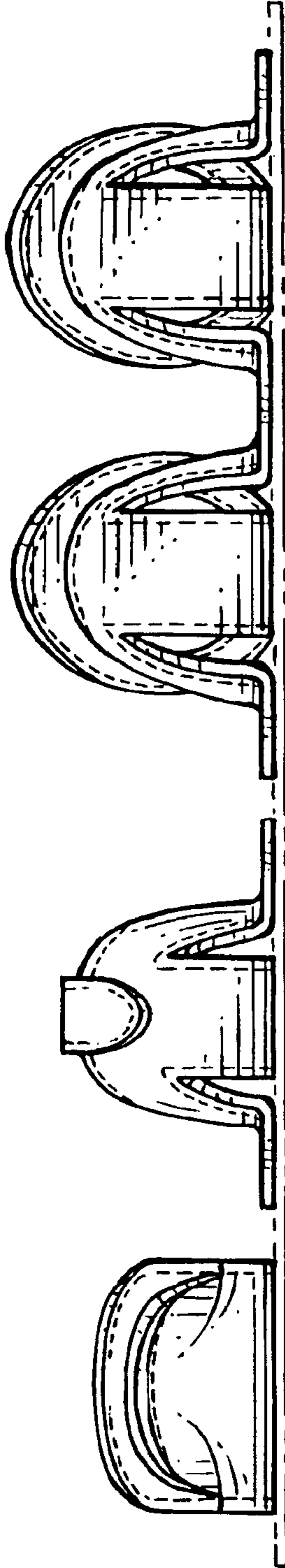


Fig. 4.

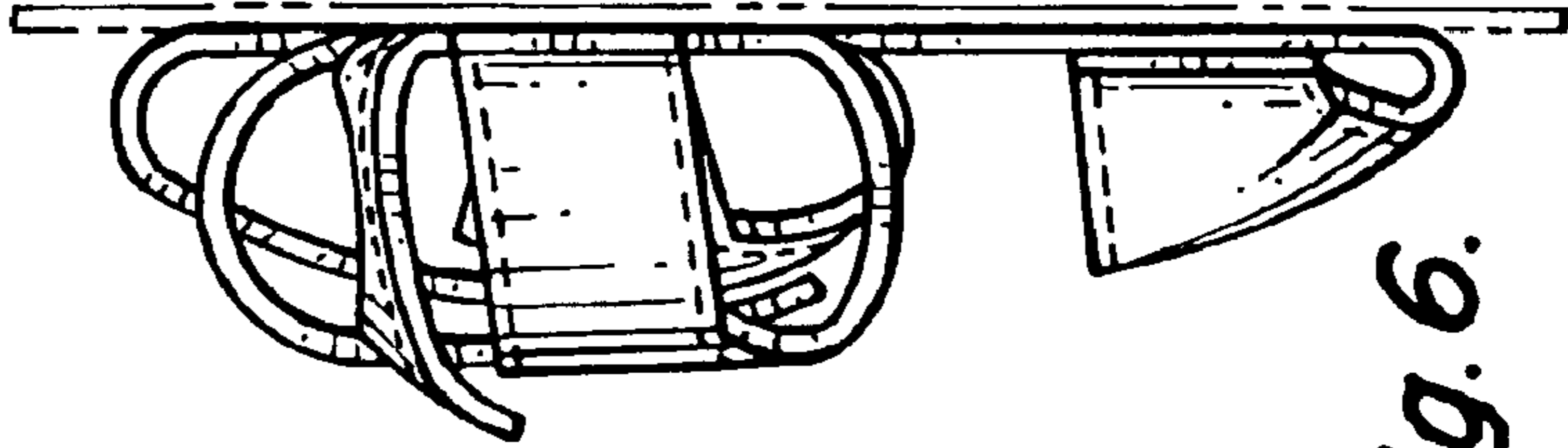


Fig. 6.

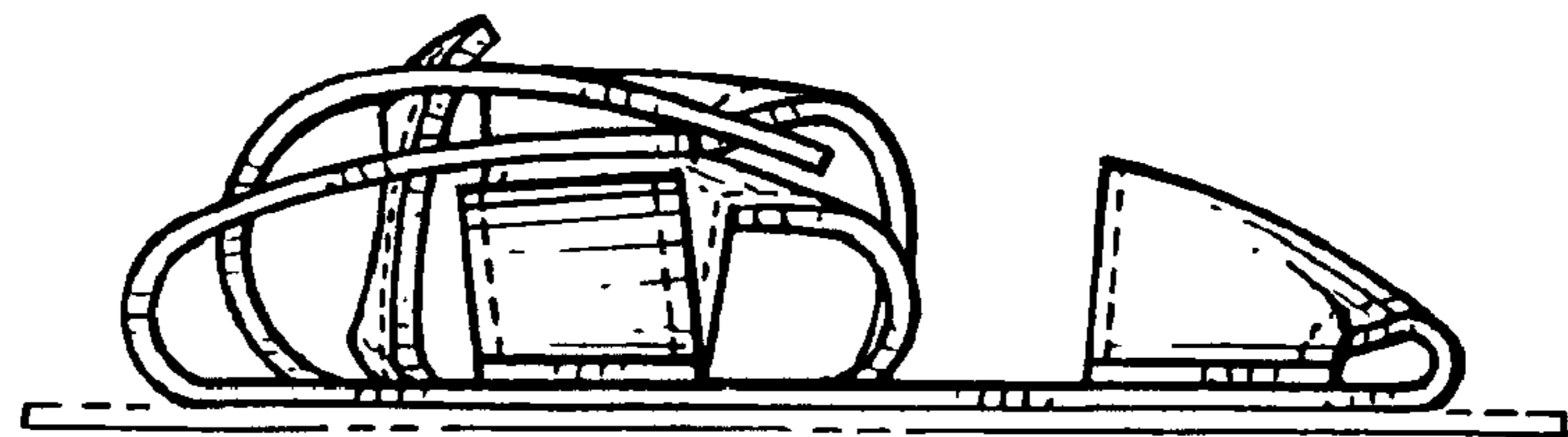


Fig. 5.