



US00D516312S

(12) **United States Design Patent**
Chan

(10) **Patent No.:** **US D516,312 S**
(45) **Date of Patent:** **** Mar. 7, 2006**

(54) **SCREWDRIVER BOX**
(75) **Inventor:** **Sik-Leung Chan**, New Territories (CN)
(73) **Assignee:** **C. C. & L Company Limited**, New Territories (CN)
(**) **Term:** **14 Years**

(21) **Appl. No.:** **29/206,763**
(22) **Filed:** **Jun. 3, 2004**

(30) **Foreign Application Priority Data**

Jan. 2, 2004 (HK) 0410005

(51) **LOC (8) Cl.** **03-01**
(52) **U.S. Cl.** **D3/294; D3/273; D3/905**
(58) **Field of Classification Search** **D3/273, D3/294, 295, 905, 901, 903; D28/73; 206/349, 206/372, 373, 374, 378, 747, 748; 220/520, 220/4.26, 4.27; 312/902**
See application file for complete search history.

(56) **References Cited**

U.S. PATENT DOCUMENTS

D222,315 S * 10/1971 Abraham D3/284
4,951,812 A * 8/1990 Chen 206/748
D317,380 S * 6/1991 Snyder D3/295
5,156,289 A * 10/1992 Goof 220/23.2

5,676,253 A * 10/1997 Hsu 206/748
6,026,973 A * 2/2000 Der Kinderen 220/520
D463,120 S * 9/2002 Yoshinaka D3/299
D468,535 S * 1/2003 McCormack D3/299
D505,548 S * 5/2005 Yang D3/282
2005/0040165 A1 * 2/2005 Reynolds 220/4.26

* cited by examiner

Primary Examiner—Philip S. Hyder
Assistant Examiner—RoseLynne H. Ulm
(74) *Attorney, Agent, or Firm*—Alix, Yale & Ristas, LLP

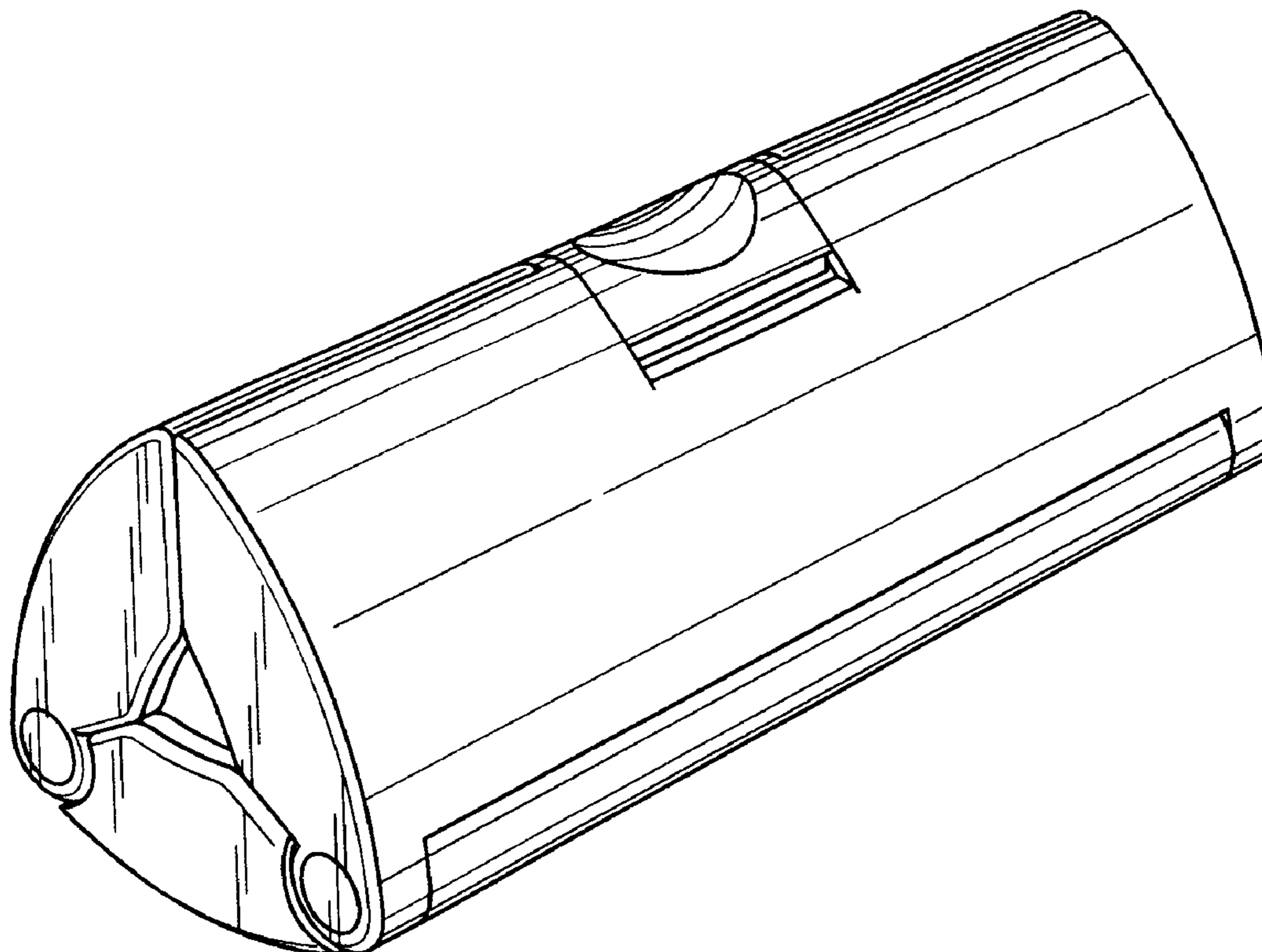
(57) **CLAIM**

The ornamental design for a screwdriver box, as shown and described.

DESCRIPTION

FIG. 1 is a front perspective view of a screwdriver box showing my new design;
FIG. 2 is a front elevational view thereof;
FIG. 3 is a top plan view thereof;
FIG. 4 is a bottom plan view thereof;
FIG. 5 is a rear elevational view thereof;
FIG. 6 is a left side elevational view thereof;
FIG. 7 is a right side elevational view thereof; and,
FIG. 8 is a right side elevational view thereof in an open position.

1 Claim, 3 Drawing Sheets



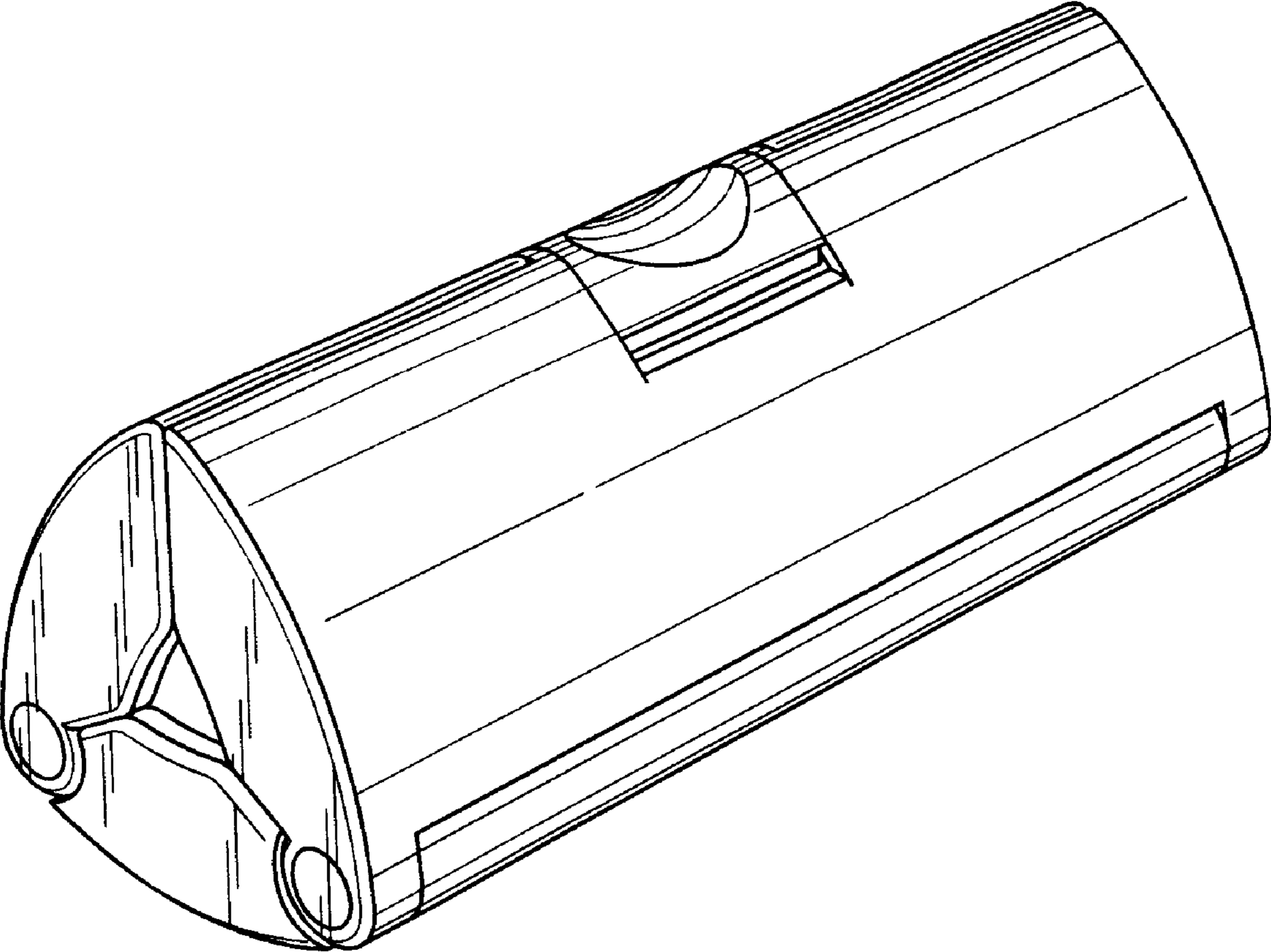


FIG. 1

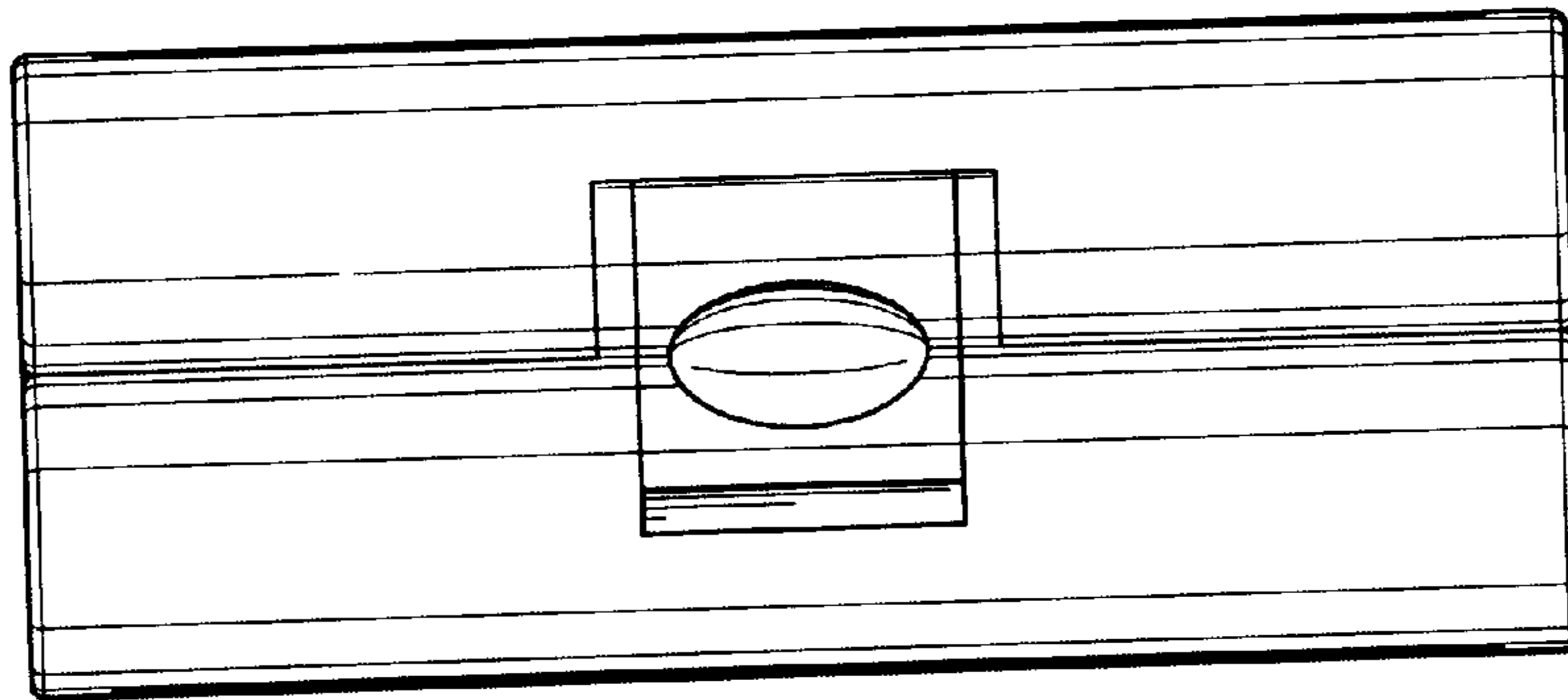


FIG. 3

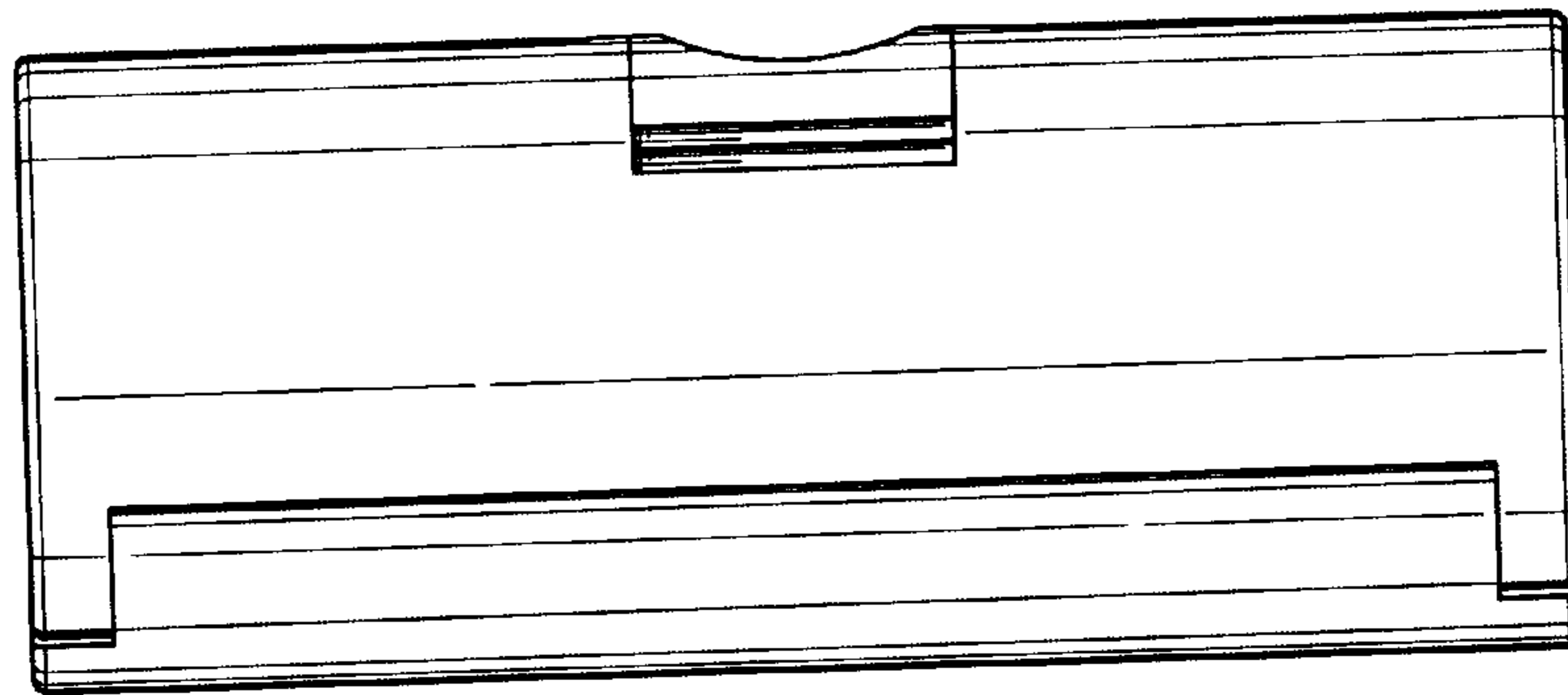


FIG. 2

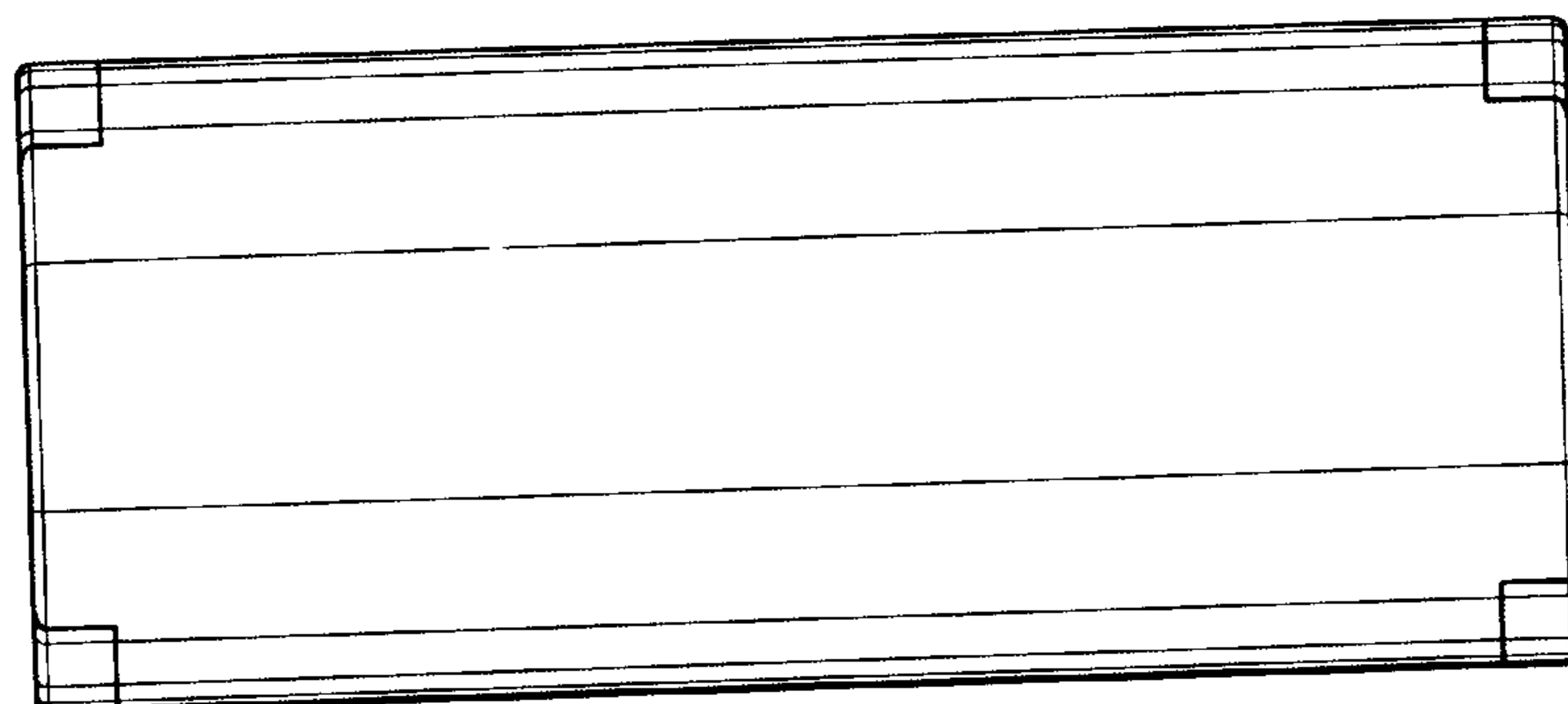


FIG. 4

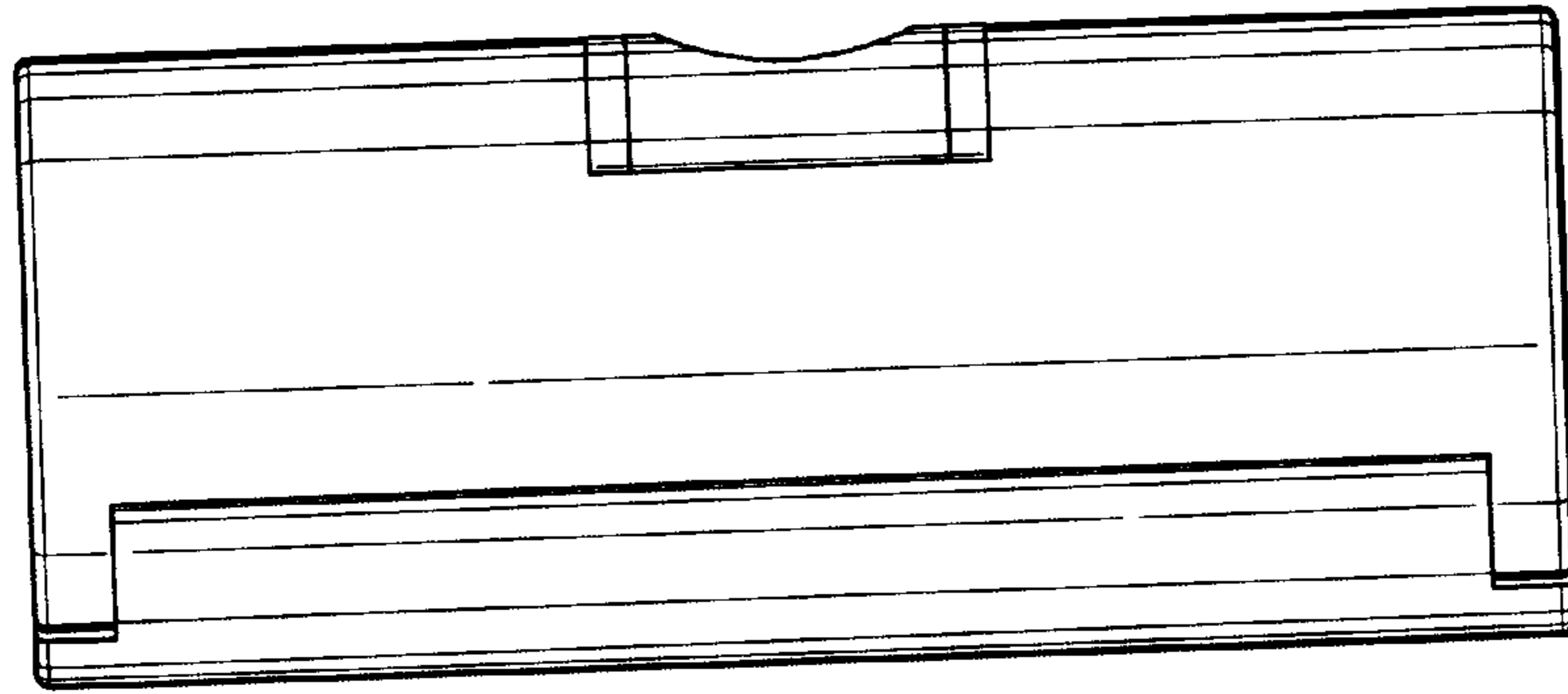


FIG. 5

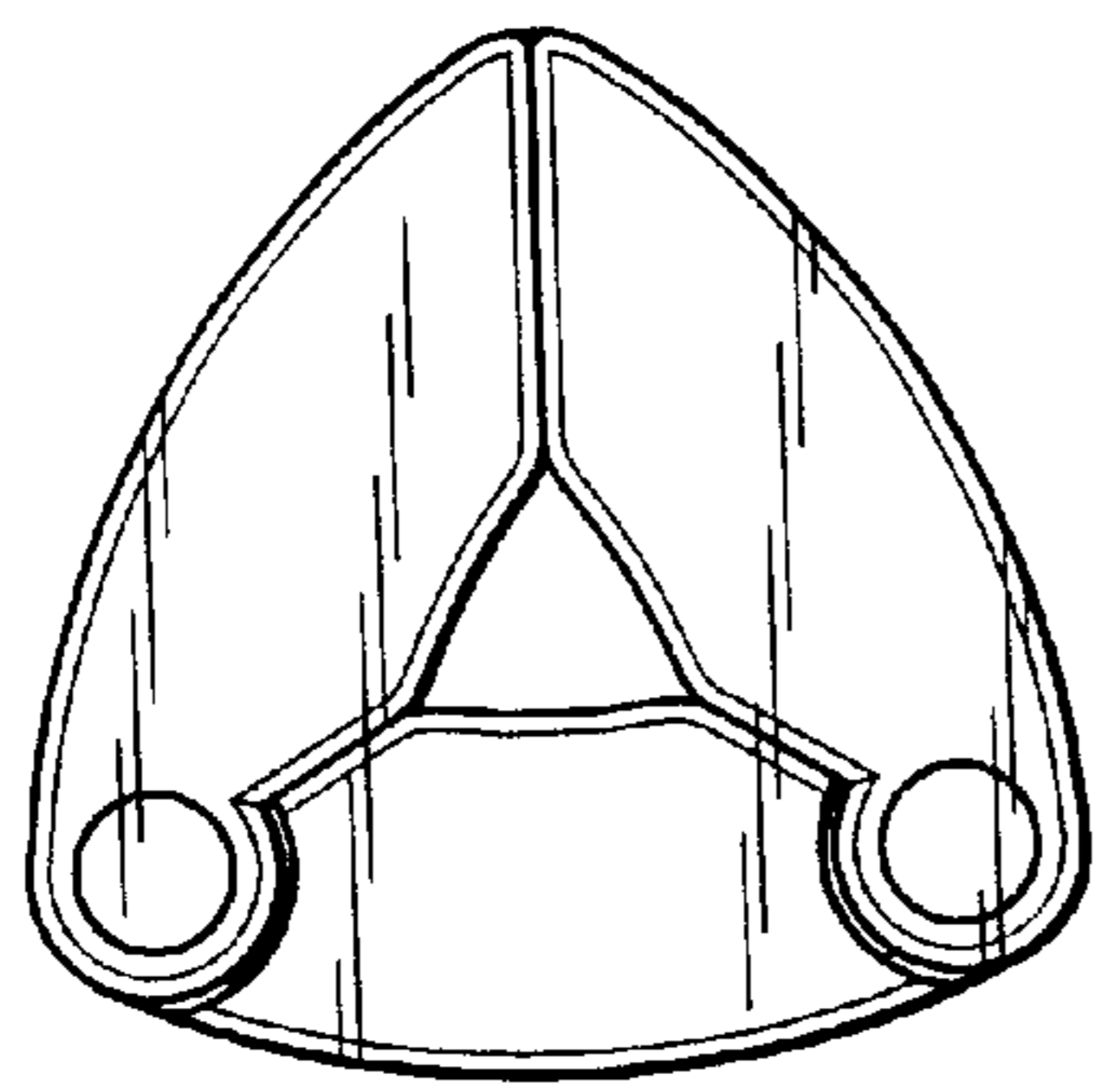


FIG. 6

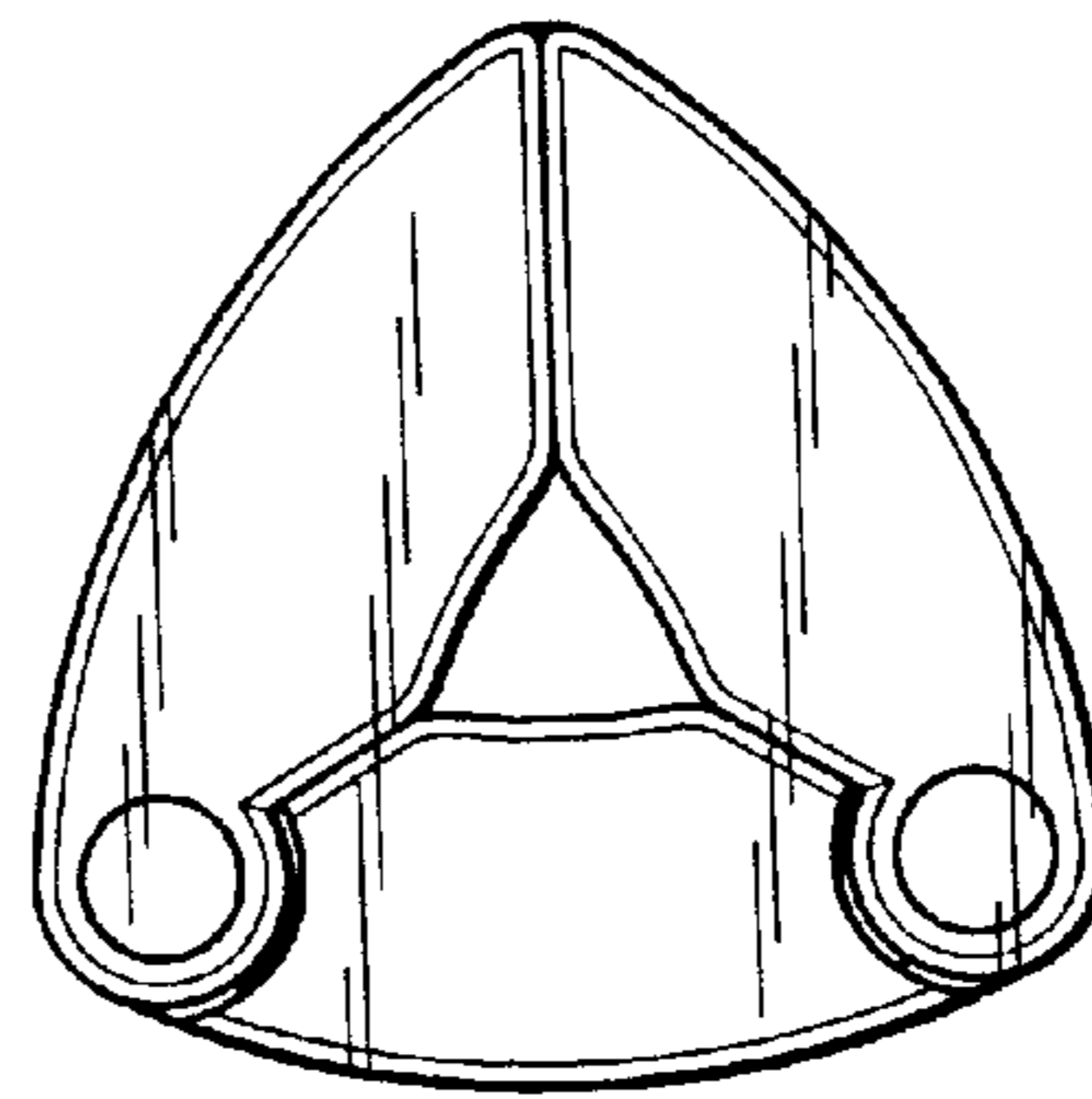


FIG. 7

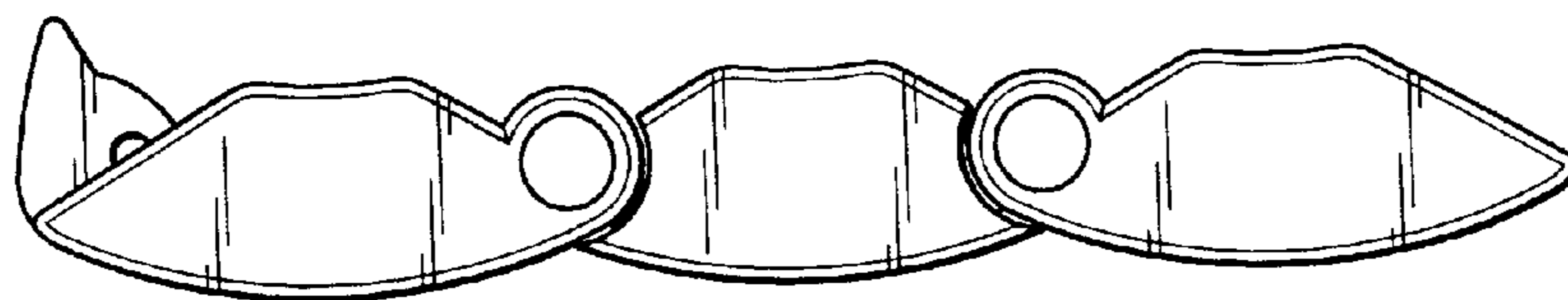


FIG. 8