

US00D516311S

(12) **United States Design Patent**
Lai

(10) **Patent No.:** **US D516,311 S**
(45) **Date of Patent:** **** Mar. 7, 2006**

(54) **TOOL BOX**

(75) Inventor: **Mei-Hsiang Lai**, Taichung (TW)

(73) Assignee: **Eagle Tool Co., Ltd.**, Taichung (TW)

(**) Term: **14 Years**

(21) Appl. No.: **29/211,824**

(22) Filed: **Aug. 23, 2004**

(51) **LOC (8) Cl.** **03-01**

(52) **U.S. Cl.** **D3/282; D3/905**

(58) **Field of Classification Search** D3/273,
D3/274, 276, 281, 294, 295, 905, 282, 291;
312/902; 206/349, 372, 373; 190/100
See application file for complete search history.

(56) **References Cited**

U.S. PATENT DOCUMENTS

| | | | | | | |
|-----------|---|---|--------|-----------------|-------|---------|
| 4,998,616 | A | * | 3/1991 | Hillinger | | 206/748 |
| D328,189 | S | * | 7/1992 | Hillinger | | D3/282 |
| D343,063 | S | * | 1/1994 | Chen | | D3/282 |
| D347,731 | S | * | 6/1994 | Hayakawa et al. | | D3/282 |
| D358,257 | S | * | 5/1995 | Sidabras et al. | | D3/282 |

| | | | | | | |
|-----------|---|---|---------|---------------|-------|---------|
| D364,957 | S | * | 12/1995 | Turbowitz | | D3/276 |
| D399,652 | S | * | 10/1998 | Fang | | D3/282 |
| D417,781 | S | * | 12/1999 | Staheli | | D3/282 |
| D426,705 | S | * | 6/2000 | Fang | | D3/282 |
| 6,070,754 | A | * | 6/2000 | Newby, Sr. | | 220/675 |
| D440,043 | S | * | 4/2001 | Miller et al. | | D3/282 |
| D498,923 | S | * | 11/2004 | Chang | | D3/282 |

* cited by examiner

Primary Examiner—Philip S. Hyder

(74) *Attorney, Agent, or Firm*—Charles E. Baxley

(57) **CLAIM**

The ornamental design for a tool box, as shown.

DESCRIPTION

FIG. 1 is a perspective view of a tool box showing our new design thereof;

FIG. 2 is a front elevational view thereof;

FIG. 3 is a rear elevational view thereof;

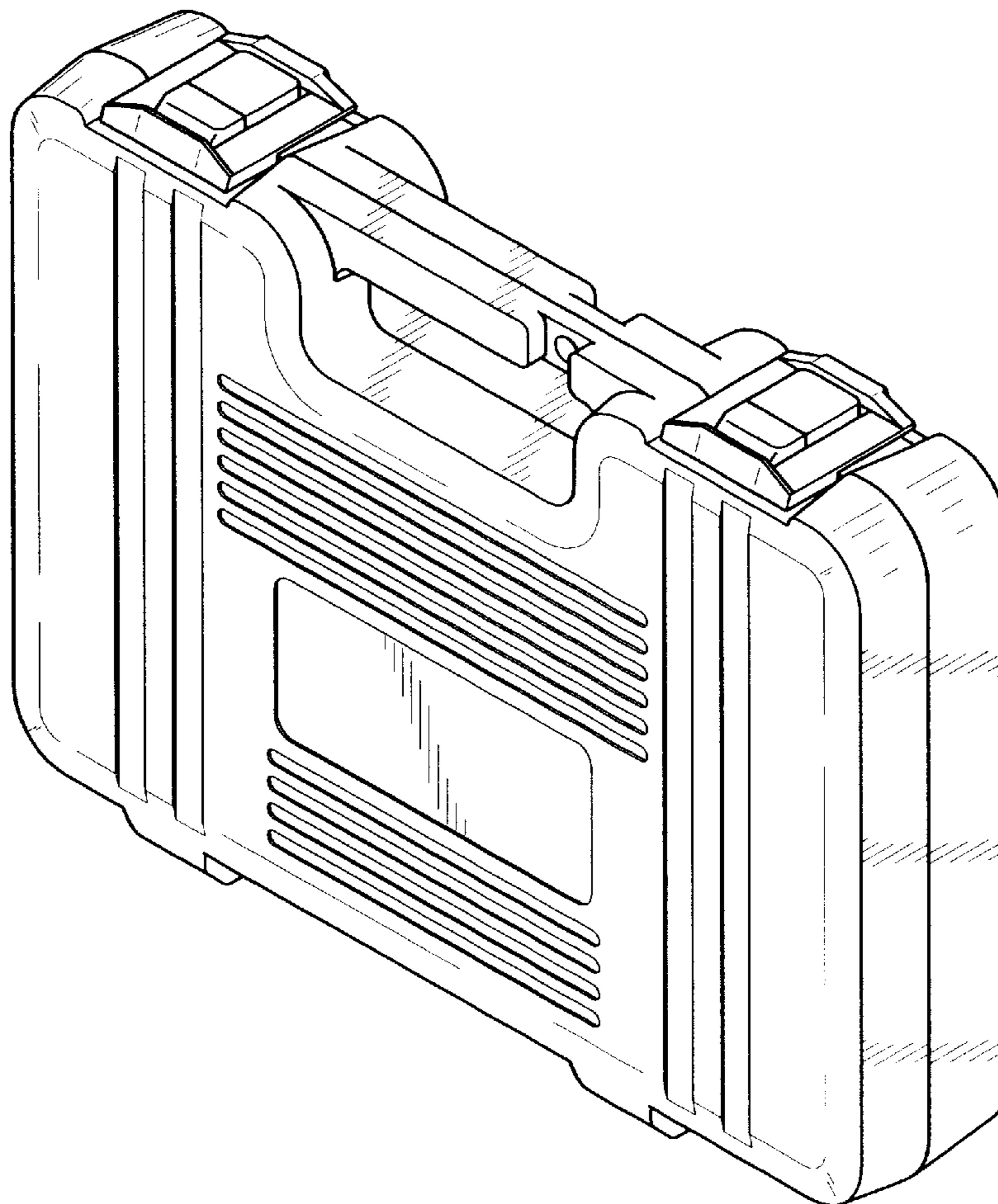
FIG. 4 is a left side elevational view thereof;

FIG. 5 is a right side elevational view thereof;

FIG. 6 is a top plan view thereof; and,

FIG. 7 is a bottom plan view thereof.

1 Claim, 5 Drawing Sheets



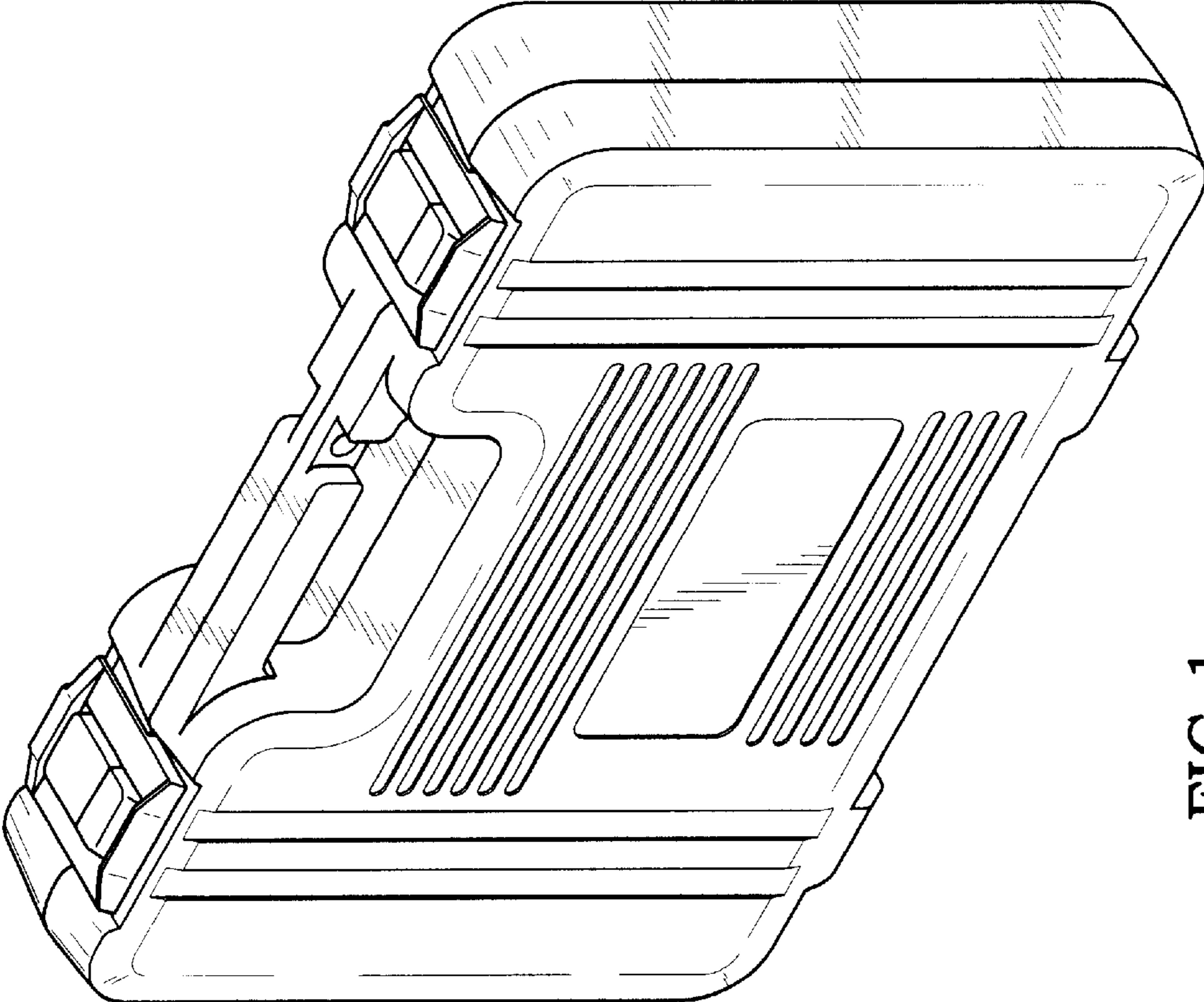


FIG. 1

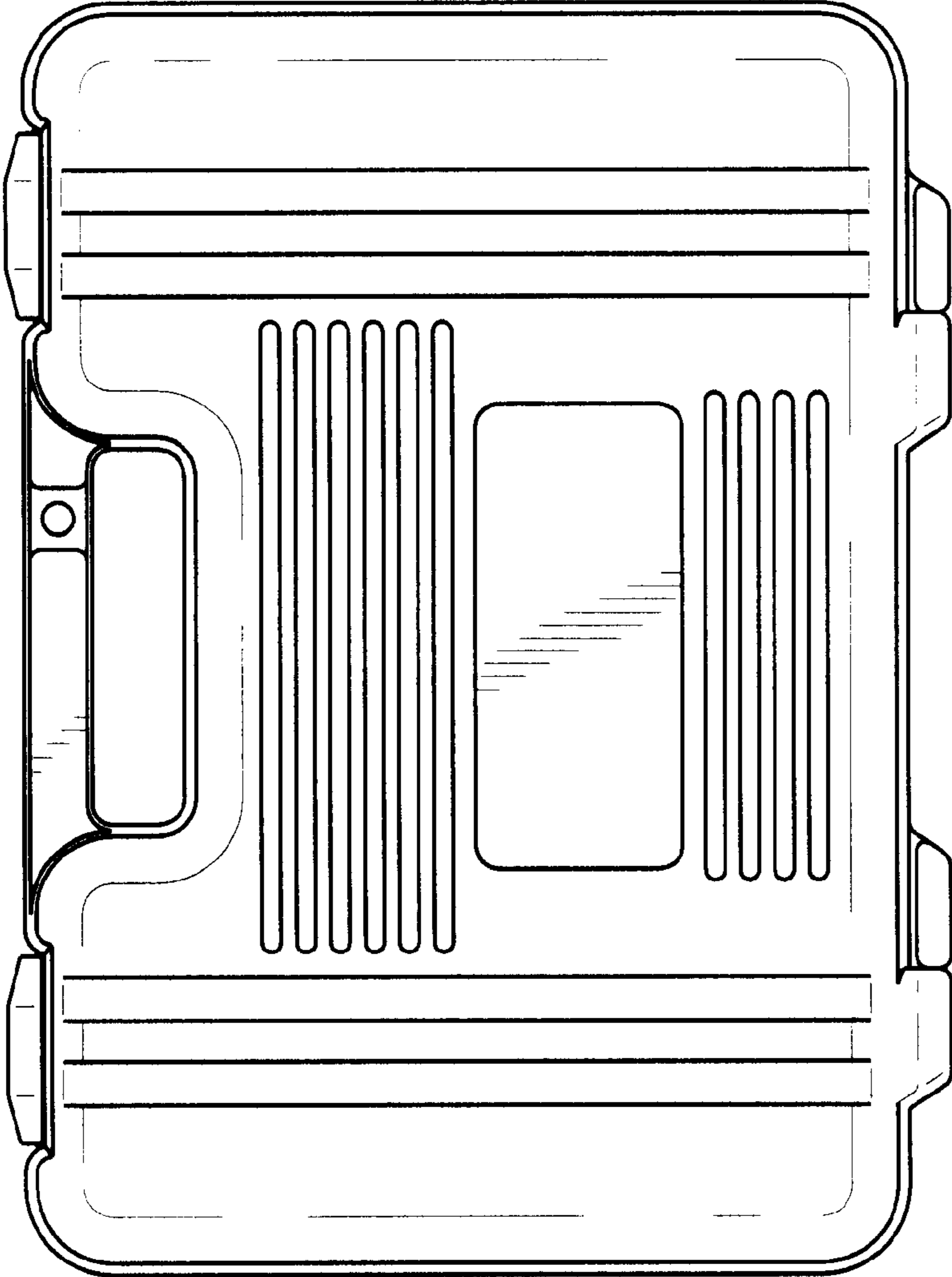


FIG. 2

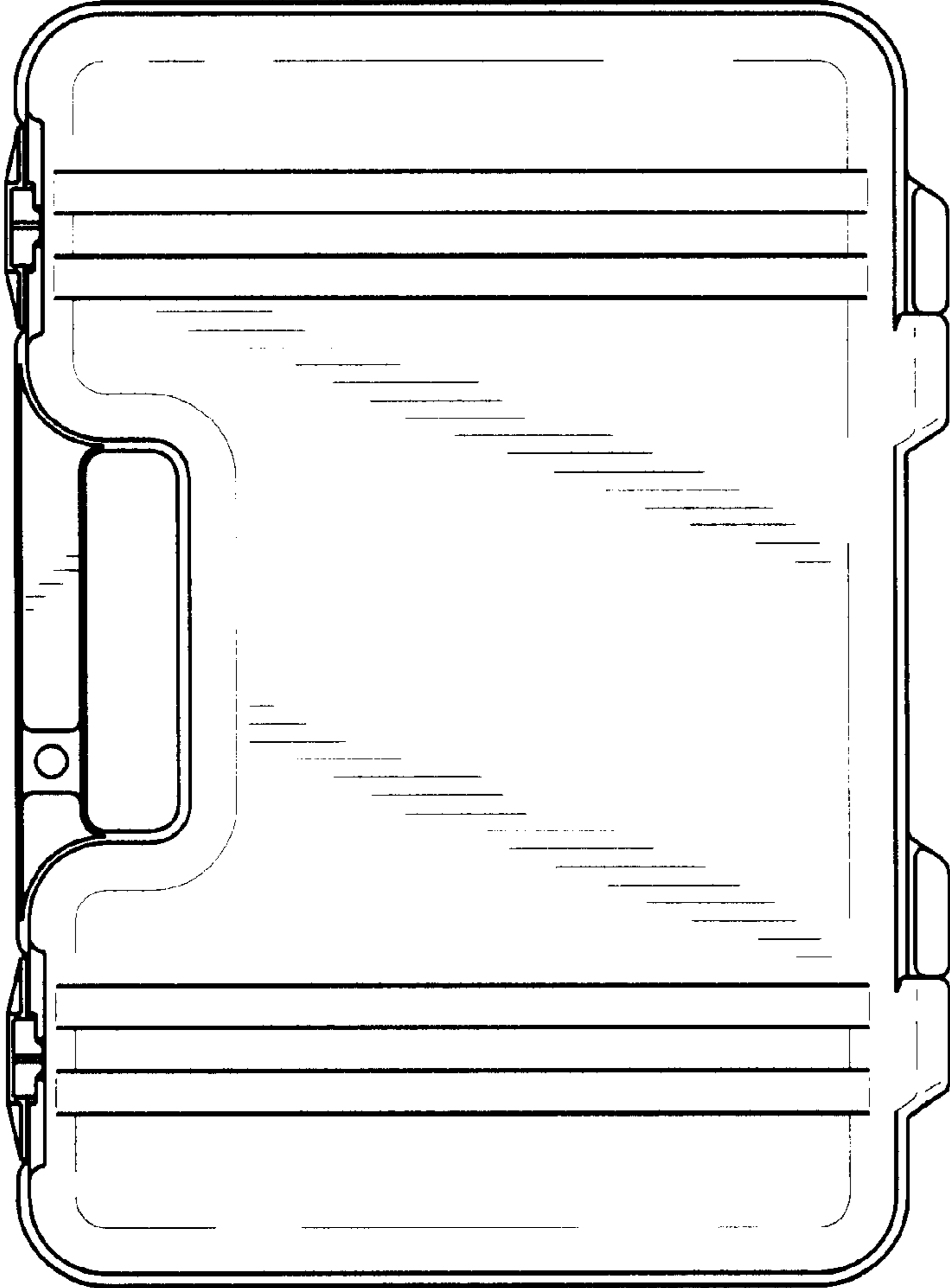


FIG. 3

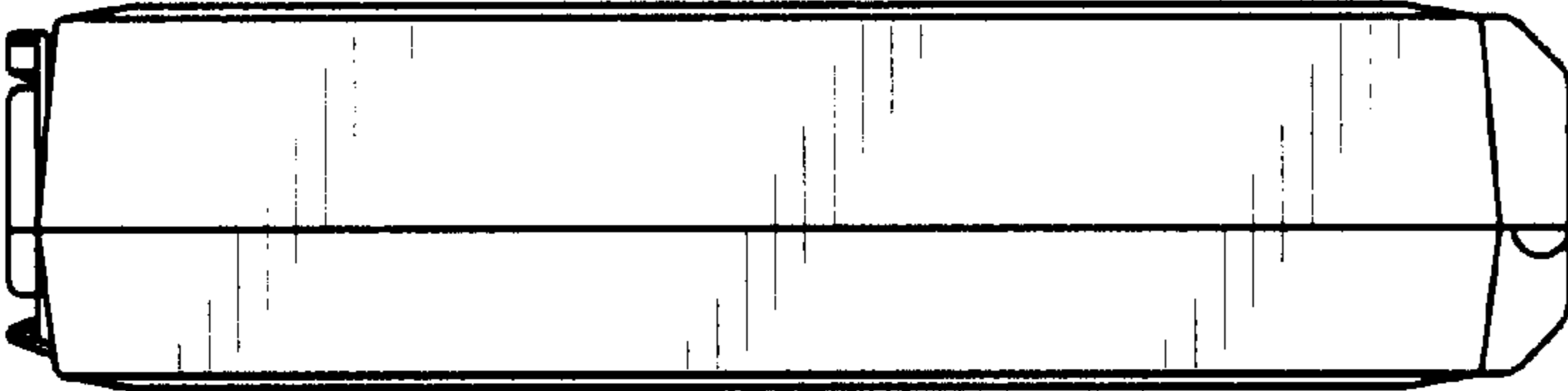


FIG. 5

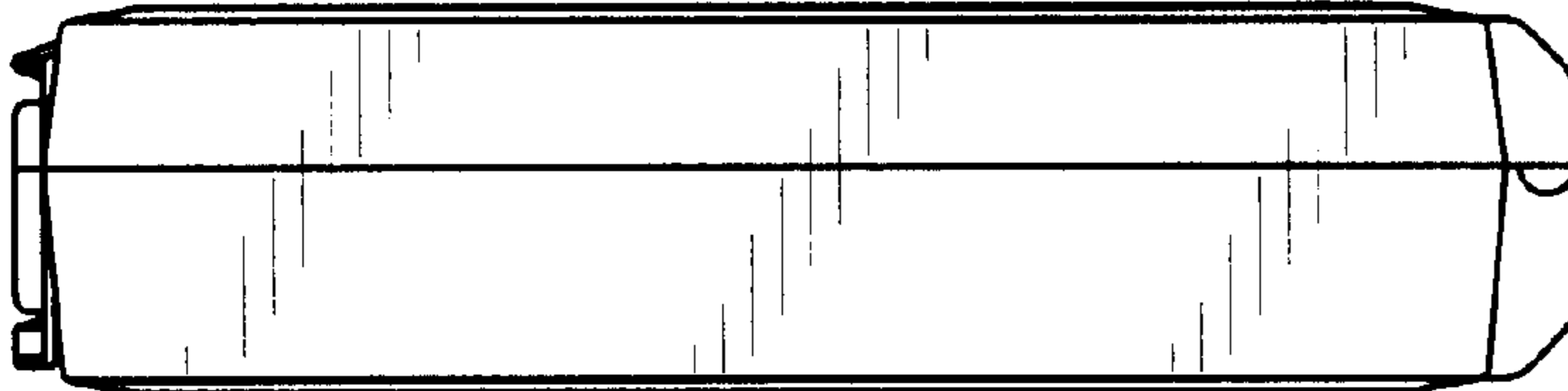


FIG. 4

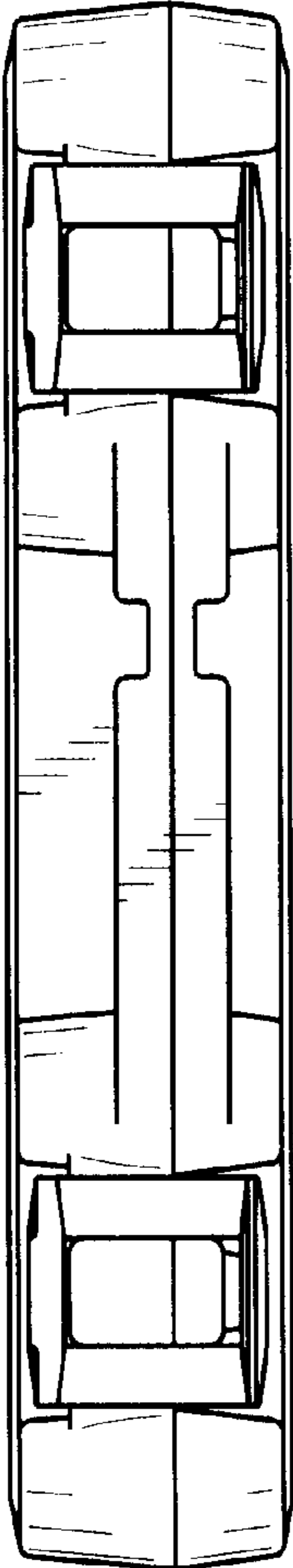


FIG. 6

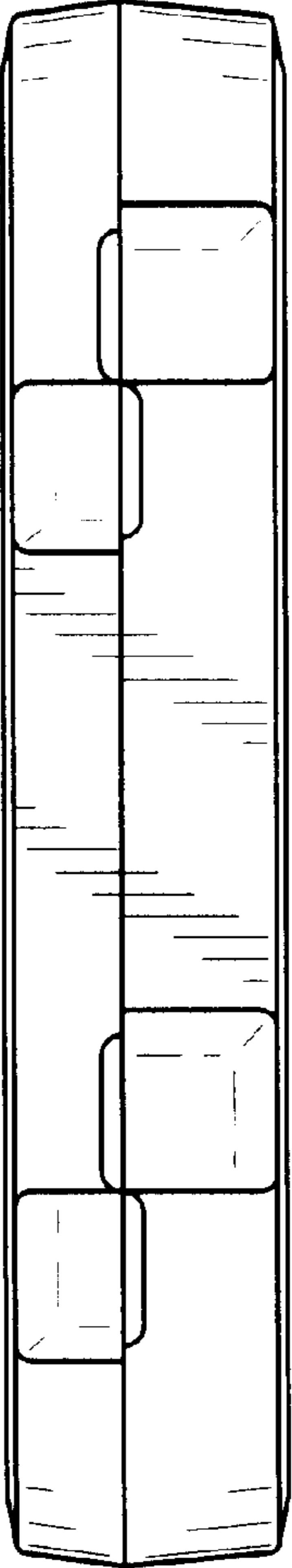


FIG. 7