



US00D516310S

(12) **United States Design Patent** (10) **Patent No.:** **US D516,310 S**  
**Brunson et al.** (45) **Date of Patent:** **\*\* Mar. 7, 2006**

(54) **TOOL CONTAINER**  
(75) Inventors: **Mark E. Brunson**, Bel Air, MD (US);  
**David Wikle**, York, PA (US)  
(73) Assignee: **Black & Decker Inc.**, Newark, DE  
(US)  
(\*\*) Term: **14 Years**  
(21) Appl. No.: **29/217,518**  
(22) Filed: **Nov. 18, 2004**  
(51) **LOC (8) Cl.** ..... **03-01**  
(52) **U.S. Cl.** ..... **D3/273; D3/905**  
(58) **Field of Classification Search** ..... **D3/273,**  
**D3/276, 281-282, 284, 291, 294-295, 905;**  
**206/349, 372-373, 378**  
See application file for complete search history.

DE 1814157 12/1968  
DE 2149305 10/1971  
DE 3150873 A1 12/1981  
DE G8500645.9 1/1985  
DE G8515834.8 5/1985  
DE G8602551.1 1/1986  
DE 2714789 C2 5/1987  
DE G8814319.8 11/1988  
DE G8906411.9 5/1989  
DE G8907073.9 6/1989  
DE G9312160.1 8/1993  
DE 29517259 U1 10/1995  
DE 29702619 U1 2/1997  
EP 0620159 B1 3/1997  
WO WO90/08631 8/1990  
WO WO94/11258 5/1994

*Primary Examiner*—Philip S. Hyder  
*Assistant Examiner*—RoseLynne H. Ulm  
(74) *Attorney, Agent, or Firm*—Harness, Dickey & Pierce,  
P.L.C.

(56) **References Cited**  
U.S. PATENT DOCUMENTS

337,888 A 3/1886 Swan  
416,425 A 12/1889 Schmitt  
470,567 A 3/1892 Hitch  
498,455 A 5/1893 Bartlett  
1,849,565 A 3/1932 Brady  
1,927,110 A 9/1933 Bannister et al.  
2,012,800 A 8/1935 Allen  
2,035,033 A 3/1936 Wakefield  
2,487,174 A 11/1949 Petre  
2,508,951 A 5/1950 Kazimier  
2,601,101 A 6/1952 Derham  
D167,868 S 9/1952 Selikoff et al.  
D178,627 S 9/1956 Baratelli  
2,792,934 A 5/1957 Rocchetti  
2,844,244 A 7/1958 Hanson  
D183,777 S 10/1958 Weiss  
2,880,857 A 4/1959 Parsons et al.  
3,018,876 A 1/1962 Huot

(Continued)

FOREIGN PATENT DOCUMENTS

DE 1085810 7/1960

(57) **CLAIM**

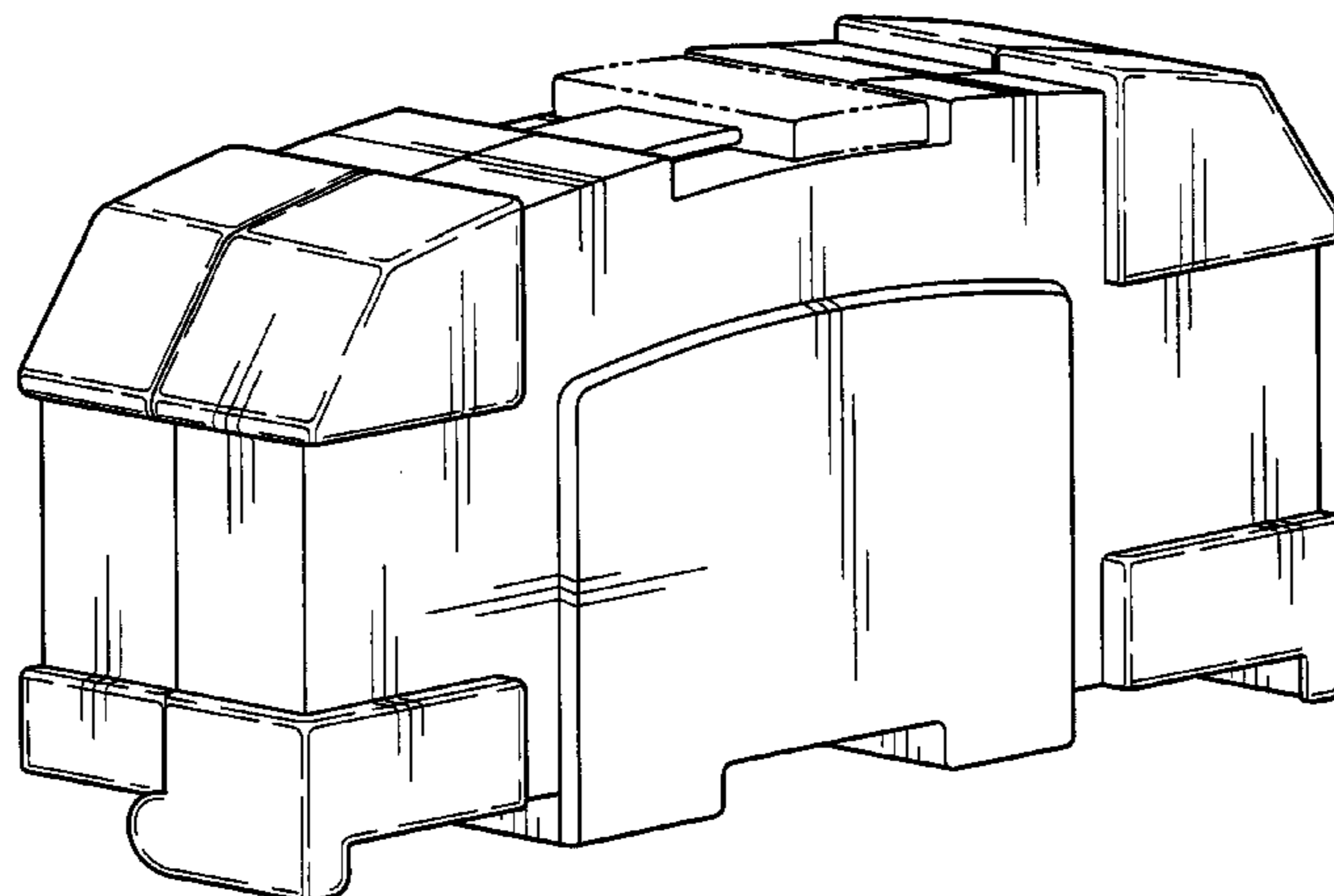
The ornamental design for the tool container, as shown and described.

**DESCRIPTION**

FIG. 1 is a perspective view illustrating a tool container in accordance with the present invention;  
FIG. 2 is a front view illustrating the tool container of FIG. 1;  
FIG. 3 is a back view illustrating the tool container of FIG. 1;  
FIG. 4 is a top view illustrating the tool container of FIG. 1;  
FIG. 5 is a bottom view illustrating the tool container of FIG. 1;  
FIG. 6 is a left side view illustrating the tool container of FIG. 1; and,  
FIG. 7 is a right side view illustrating the tool container of FIG. 1.

The broken lines showing various portions such as the sliding locking mechanism are for illustrative purposes only and form no part of the claimed design.

**1 Claim, 3 Drawing Sheets**



# US D516,310 S

## U.S. PATENT DOCUMENTS

3,154,192 A	10/1964	Cowley	5,346,063 A	9/1994	Chow
3,186,197 A	6/1965	Gehrie	5,346,677 A	9/1994	Risk
3,276,847 A	10/1966	Duff et al.	5,368,164 A	11/1994	Bennett et al.
3,346,137 A	10/1967	Ricci	5,383,091 A	1/1995	Snell
3,367,483 A	2/1968	Studen	5,398,810 A	3/1995	Yao Wang
3,370,697 A	2/1968	Levey et al.	D356,891 S	4/1995	Hobson
3,383,009 A	5/1968	Weikert	5,409,560 A	4/1995	Hammer et al.
3,426,890 A	2/1969	Bayer	D358,257 S	5/1995	Sidabras et al.
3,459,327 A	8/1969	Harris	5,429,235 A	7/1995	Chen
3,499,525 A	3/1970	Kanter	5,433,929 A	7/1995	Riihimaki et al.
3,583,556 A	6/1971	Wagner	5,469,961 A	11/1995	Chang
D221,317 S	7/1971	Muller	5,484,057 A	1/1996	Tzu-Ching
3,698,404 A	10/1972	Greco	5,509,731 A	4/1996	Callahan et al.
D229,366 S	11/1973	Yonce	5,520,285 A	5/1996	Mursch et al.
3,836,043 A	9/1974	Levin	5,524,915 A	6/1996	Liu
D234,273 S	* 2/1975	Wilson et al. .... D3/272	5,525,314 A	6/1996	Hurson
3,904,034 A	9/1975	Saunders	5,526,929 A	6/1996	Wei
4,048,051 A	9/1977	Gretz	5,535,881 A	7/1996	Krivec
4,210,252 A	7/1980	Cooke et al.	5,551,795 A	9/1996	Engibarov
4,213,532 A	7/1980	Eggert et al.	5,553,710 A	9/1996	Takama
4,216,862 A	8/1980	Daenen	D374,988 S	10/1996	Hillinger
4,253,830 A	3/1981	Kazen et al.	5,560,572 A	10/1996	Osborn et al.
4,260,057 A	4/1981	Wall-Andersen	5,562,208 A	10/1996	Hasler et al.
D264,396 S	5/1982	Harvey et al.	5,570,784 A	11/1996	Sidabras et al.
4,340,140 A	7/1982	Wilcox et al.	5,588,240 A	12/1996	Zilliox
D269,648 S	7/1983	Wilcox et al.	5,603,415 A	2/1997	Balnis, Jr.
4,489,830 A	12/1984	Charlebois et al.	5,624,037 A	4/1997	Kozo
4,576,307 A	3/1986	Frydenberg	D379,715 S	6/1997	Yemini
4,615,464 A	10/1986	Byrns	5,638,838 A	6/1997	Lombardi
4,619,364 A	10/1986	Czopor, Jr.	5,638,964 A	6/1997	Ernst
D287,906 S	1/1987	Tsuji et al.	5,641,066 A	6/1997	Mascaro
D291,946 S	9/1987	Dottori et al.	5,649,657 A	7/1997	Chuang
4,714,158 A	12/1987	Oltman et al.	5,651,941 A	7/1997	Stark et al.
4,884,689 A	12/1989	Su-Chin	D382,115 S	8/1997	Chang
4,930,753 A	6/1990	Alvyn	D382,709 S	8/1997	Cuneo
4,934,549 A	6/1990	Allen	D385,109 S	10/1997	Staheli
4,958,732 A	9/1990	Rau et al.	5,676,254 A	10/1997	Cheng et al.
D311,644 S	10/1990	Chapin et al.	D390,358 S	2/1998	Calmeise
4,974,740 A	12/1990	Niles et al.	D391,321 S	2/1998	Hill
D314,669 S	2/1991	Kunimune	5,730,511 A	3/1998	Doan et al.
5,025,921 A	6/1991	Gasparaitis et al.	D394,952 S	6/1998	Wei
5,031,768 A	7/1991	Fischer	5,799,797 A	9/1998	Braun
5,043,974 A	8/1991	Nakagawa	5,803,254 A	9/1998	Vasudeva
5,050,733 A	9/1991	Brennan	D400,011 S	10/1998	Palmer et al.
5,056,661 A	10/1991	Balzano	5,826,719 A	10/1998	Chen
5,114,007 A	5/1992	Chen	D400,709 S	11/1998	Chang
D328,188 S	* 7/1992	Jacobsen et al. .... D3/270	5,915,553 A	6/1999	Brown et al.
D328,189 S	7/1992	Hillinger	D417,077 S	11/1999	Sheu
5,133,455 A	7/1992	Chow	D418,977 S	1/2000	Streich
D329,331 S	9/1992	Hobson	D419,768 S	* 2/2000	Richardson et al. .... D3/273
5,156,271 A	10/1992	Toner	D437,684 S	* 2/2001	Streich et al. .... D3/273
D333,727 S	3/1993	Schurman	6,213,296 B1	4/2001	Streich et al.
5,217,115 A	6/1993	Purkapile	D447,634 S	9/2001	Snider
5,222,619 A	6/1993	Gregory	D448,167 S	* 9/2001	Pangerc et al. .... D3/294
5,248,030 A	9/1993	Tarozzi	D477,714 S	7/2003	Cunningham et al.
5,248,033 A	9/1993	Kos et al.	D477,912 S	* 8/2003	Cunningham et al. .... D3/273
D343,063 S	1/1994	Chen	D481,868 S	11/2003	Cunningham et al.
D343,120 S	1/1994	Lapsker et al.	D482,869 S	* 12/2003	Chen ..... D3/282
D345,650 S	4/1994	Boyd	D490,980 S	* 6/2004	Concari ..... D3/318
D347,114 S	5/1994	Tengvall	6,755,302 B1	* 6/2004	Streich et al. .... 206/373
5,320,223 A	6/1994	Allen	D502,316 S	* 3/2005	Chen ..... D3/273
5,341,926 A	8/1994	Leben	2004/0144671 A1	7/2004	Hallee et al.

\* cited by examiner

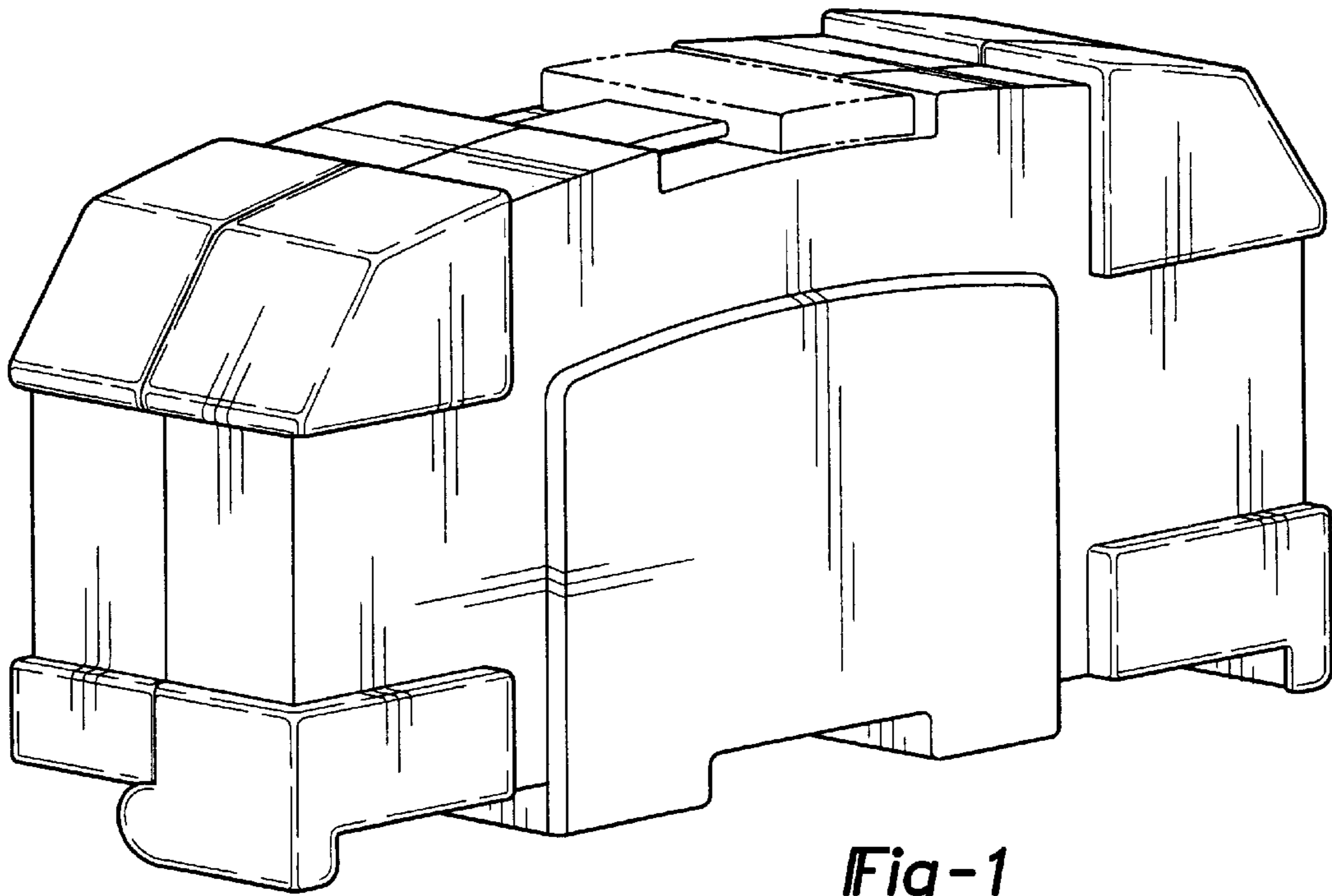


Fig-1

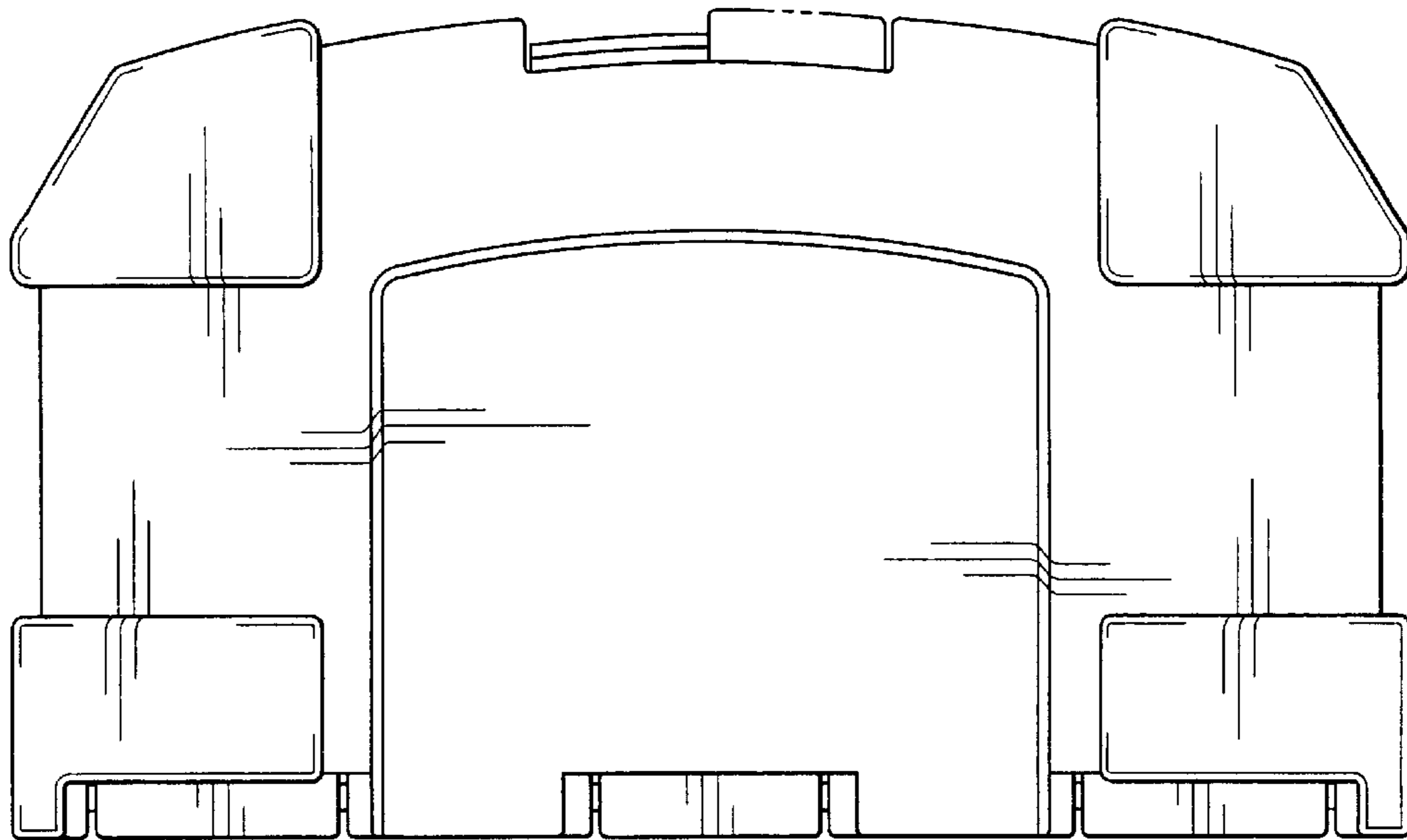


Fig-2



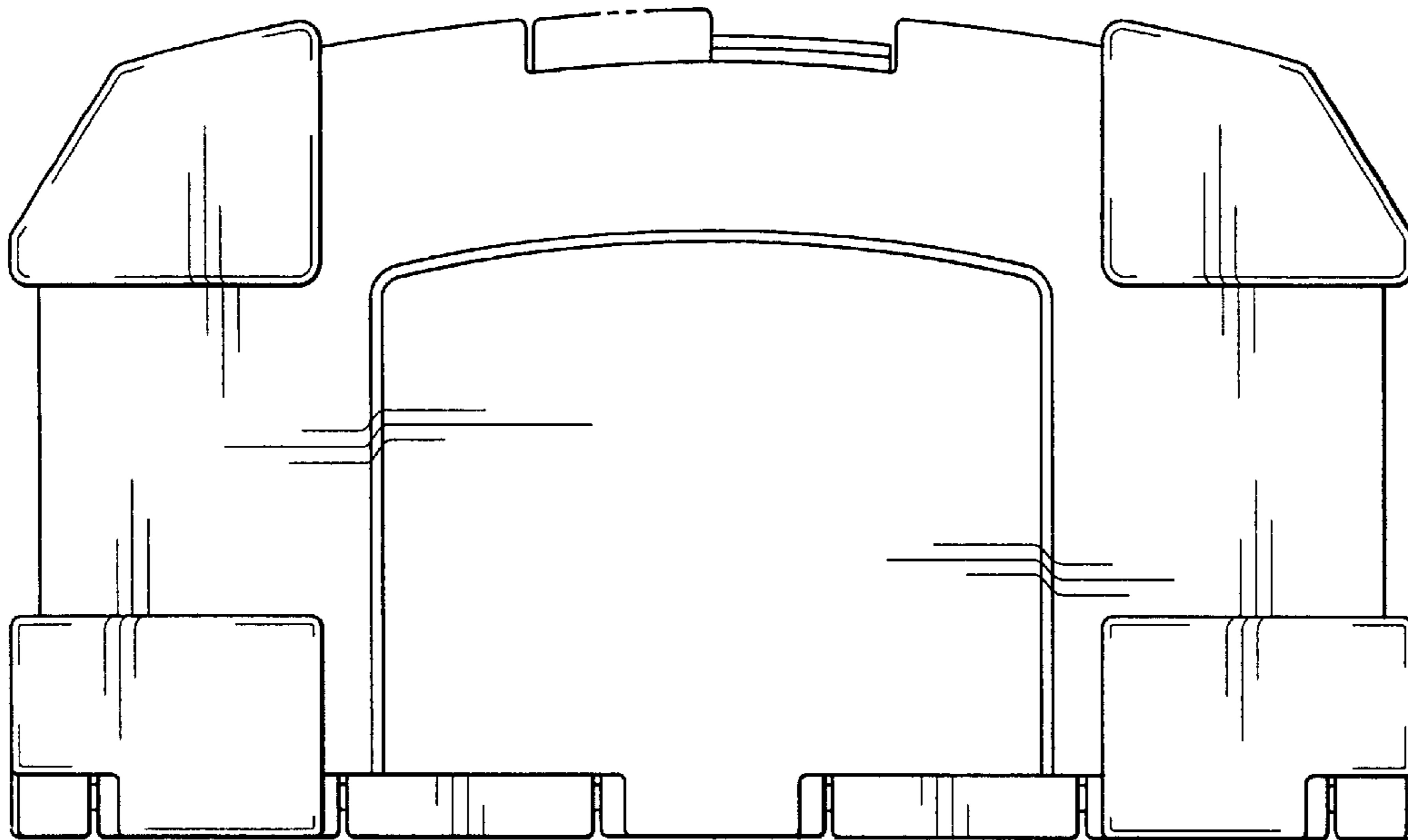


Fig-3

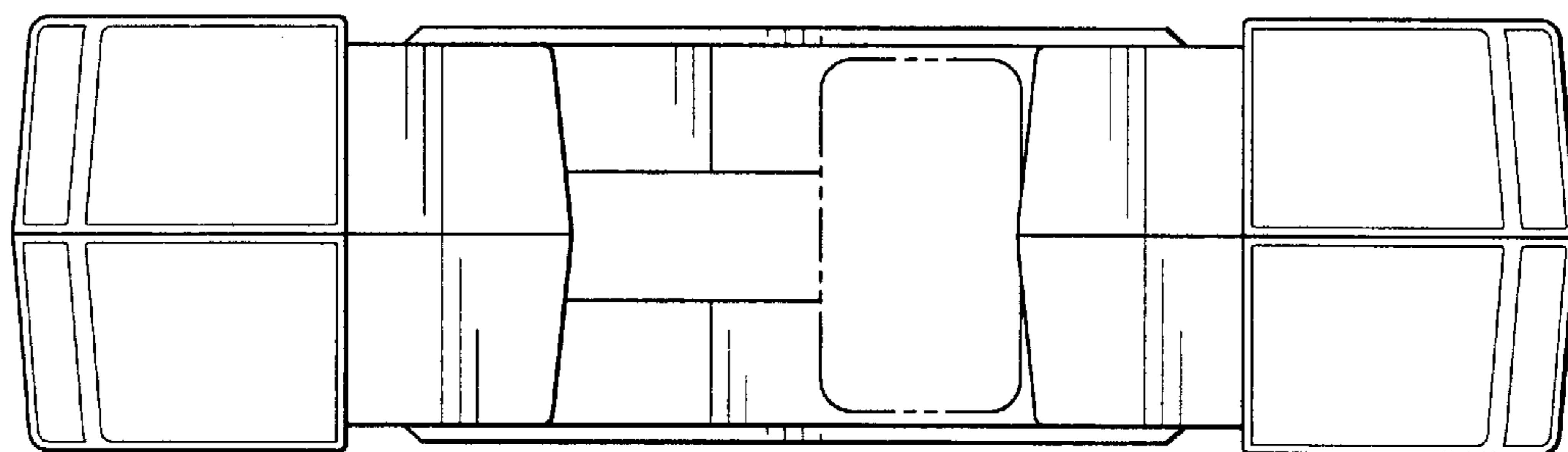


Fig-4

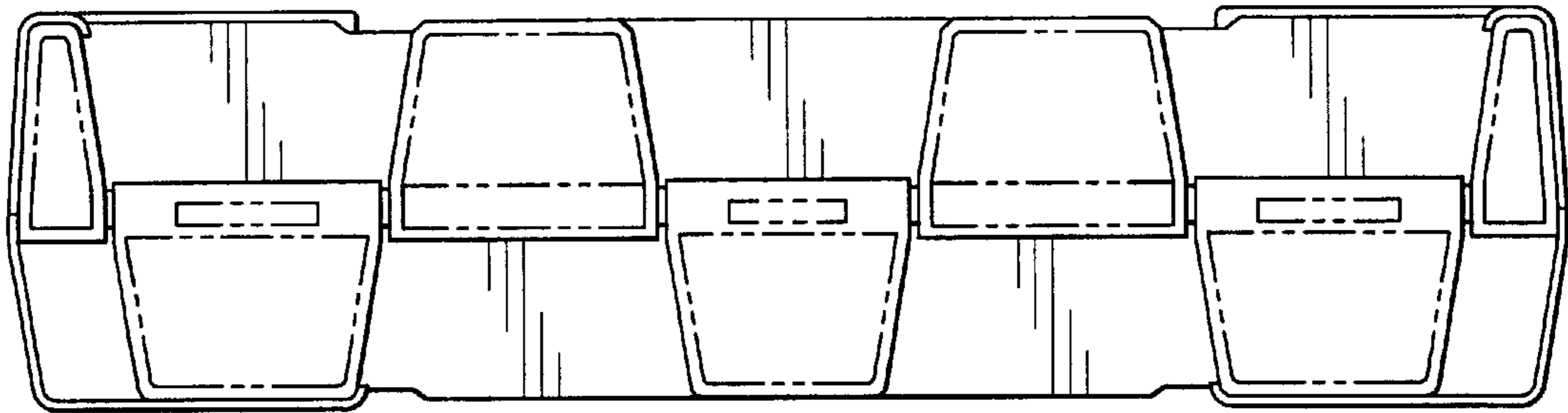


Fig-5

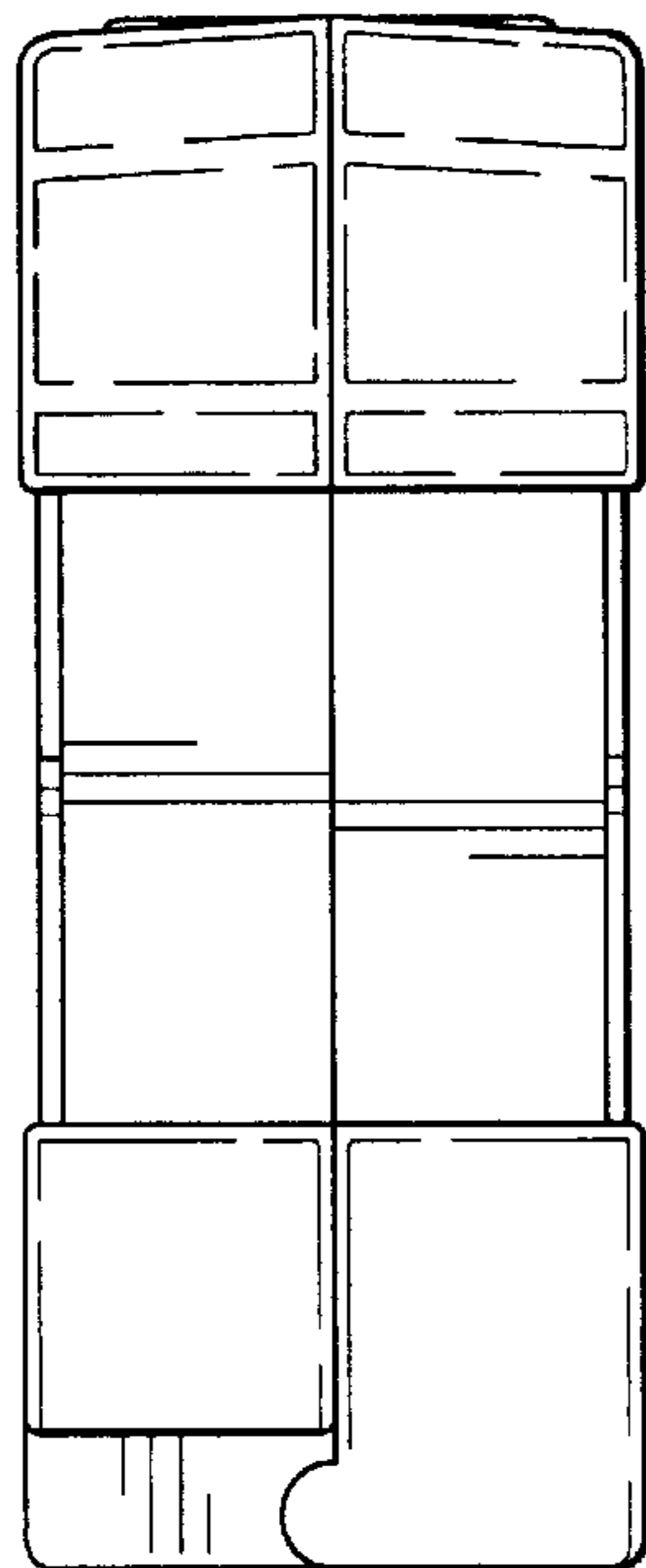


Fig-6

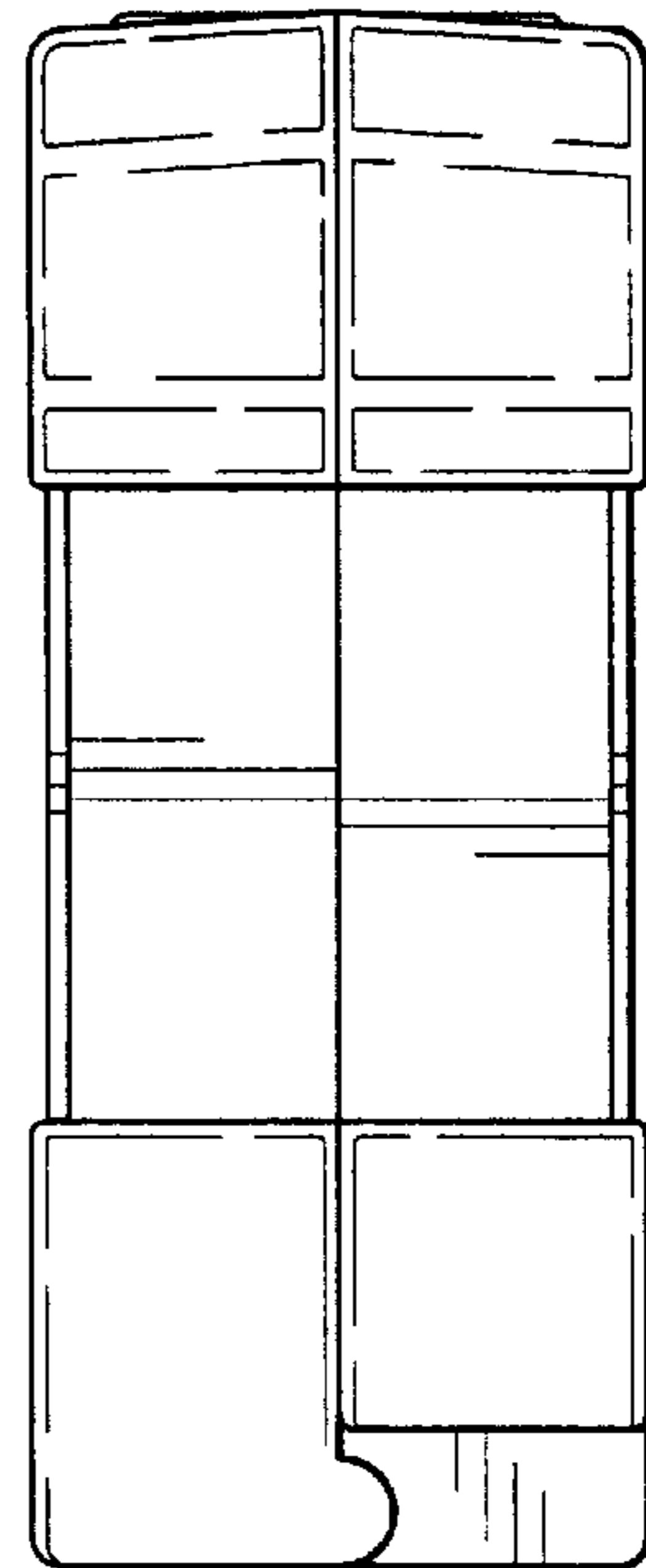


Fig-7