



US00D516309S

(12) **United States Design Patent** (10) **Patent No.:** **US D516,309 S**
Richardson et al. (45) **Date of Patent:** **** Mar. 7, 2006**

- (54) **BOX**
- (75) Inventors: **Curtis R. Richardson**, Fort Collins, CO (US); **Douglas A. Kempel**, Fort Collins, CO (US)
- (73) Assignee: **Otter Products, LLC**, Fort Collins, CO (US)
- (**) Term: **14 Years**
- (21) Appl. No.: **29/205,706**
- (22) Filed: **May 18, 2004**

Related U.S. Application Data

- (63) Continuation of application No. 29/201,027, filed on Mar. 8, 2004, now abandoned.
- (51) **LOC (8) Cl.** **03-01**
- (52) **U.S. Cl.** **D3/273**
- (58) **Field of Classification Search** D3/201, D3/272, 273, 276, 281, 282, 294, 295; D9/420, D9/423, 424; D27/189; 206/349, 372, 373; 220/324, 833, 834; 312/905; 190/100
 See application file for complete search history.

(56) **References Cited**

U.S. PATENT DOCUMENTS

- | | | | |
|-------------|-----------|-------------------|--------------|
| 2,392,787 A | 1/1946 | Vermot | |
| D216,853 S | 3/1970 | Schurman | |
| D220,233 S | 3/1971 | Schurman | |
| 3,590,988 A | 7/1971 | Hollar | |
| D275,822 S | * 10/1984 | Gatland et al. | D3/282 |
| 4,703,161 A | 10/1987 | McLean | |
| 4,762,227 A | 8/1988 | Patterson | |
| 5,092,459 A | 3/1992 | Uljanic et al. | |
| D327,646 S | 7/1992 | Hardigg et al. | |
| D329,747 S | 9/1992 | Embree | |
| D330,329 S | 10/1992 | Brightbill | |
| 5,175,873 A | 12/1992 | Goldenberg et al. | |
| D335,220 S | 5/1993 | Ward et al. | |
| D342,609 S | 12/1993 | Brightbill | |
| D347,324 S | 5/1994 | Dickinson | |
| D347,732 S | * 6/1994 | Wentz | D3/294 |

- | | | | |
|--------------|----------|-------------------|--------------|
| D353,048 S | 12/1994 | VanSkiver et al. | |
| D381,512 S | 7/1997 | Green | |
| D386,611 S | 11/1997 | Sheu | |
| D402,105 S | 12/1998 | Erickson | |
| D409,374 S | 5/1999 | Laba et al. | |
| D412,062 S | 7/1999 | Potter et al. | |
| D413,202 S | * 8/1999 | Schmitt et al. | D3/276 |
| D413,203 S | 8/1999 | Zurwelle et al. | |
| D419,297 S | * 1/2000 | Richardson et al. | D3/273 |
| D419,767 S | * 2/2000 | Richardson et al. | D3/273 |
| D419,768 S | * 2/2000 | Richardson et al. | D3/273 |
| 6,031,524 A | 2/2000 | Kunert | |
| 6,041,924 A | 3/2000 | Tajima | |
| 6,049,813 A | 4/2000 | Danielson et al. | |
| D423,772 S | 5/2000 | Cooper et al. | |
| 6,068,119 A | 5/2000 | Derr et al. | |
| D429,884 S | 8/2000 | Zurwelle et al. | |
| 6,094,785 A | 8/2000 | Montgomery et al. | |
| D433,798 S | 11/2000 | Weinstock | |
| D439,407 S | * 3/2001 | Parker | D3/276 |
| 6,215,474 B1 | 4/2001 | Shah | |

(Continued)

OTHER PUBLICATIONS

U.S. Appl. No. 29/205,708. Richardson et al.

Primary Examiner—Philip S. Hyder
(74) *Attorney, Agent, or Firm*—Cochran Freund & Young LLC; William W. Cochran

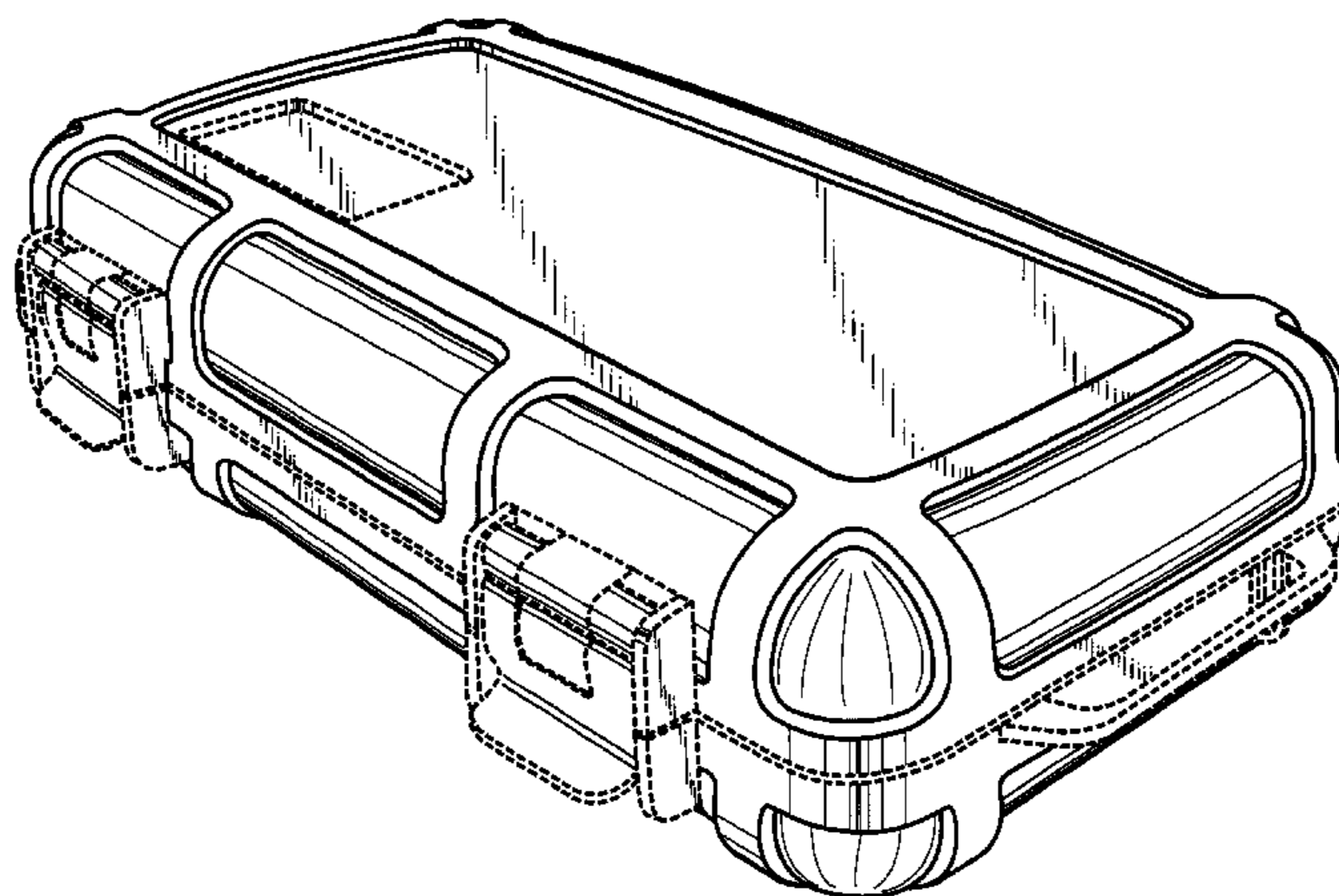
(57) **CLAIM**

The ornamental design for a box, as shown and described.

DESCRIPTION

FIG. 1 is an isometric view of a box showing my new design.
FIG. 2 is a top view thereof.
FIG. 3 is a front view thereof.
FIG. 4 is a right side view thereof.
FIG. 5 is a left side view thereof.
FIG. 6 is a rear view thereof; and,
FIG. 7 is a bottom view thereof.
The broken line portions of the disclosure are for illustrative purposes only and form no part of the claimed design.

1 Claim, 7 Drawing Sheets



US D516,309 S

Page 2

U.S. PATENT DOCUMENTS

D441,954 S	*	5/2001	Parker	D3/279	6,456,487 B1	9/2002	Hetterick	
6,239,968 B1		5/2001	Kim et al.		D464,196 S	*	10/2002	Parker D3/273
D443,133 S		6/2001	Richardson et al.		6,471,056 B1		10/2002	Tzeng
6,273,252 B1		8/2001	Mitchell		D465,330 S	*	11/2002	Parker D3/273
6,301,100 B1		10/2001	Iwata		D470,659 S	*	2/2003	Story et al. D3/291
6,313,892 B2		11/2001	Gleckman		6,519,141 B2		2/2003	Tseng et al.
6,313,982 B1		11/2001	Hino		6,536,589 B2		3/2003	Chang
6,317,313 B1		11/2001	Mosgrove et al.		D472,384 S		4/2003	Richardson
6,388,877 B1		5/2002	Canova, Jr. et al.		6,646,864 B2		11/2003	Richardson
6,415,138 B2		7/2002	Sirola et al.		6,665,174 B1		12/2003	Derr et al.
6,445,577 B1		9/2002	Madsen et al.		2002/0101707 A1		8/2002	Canova et al.

* cited by examiner

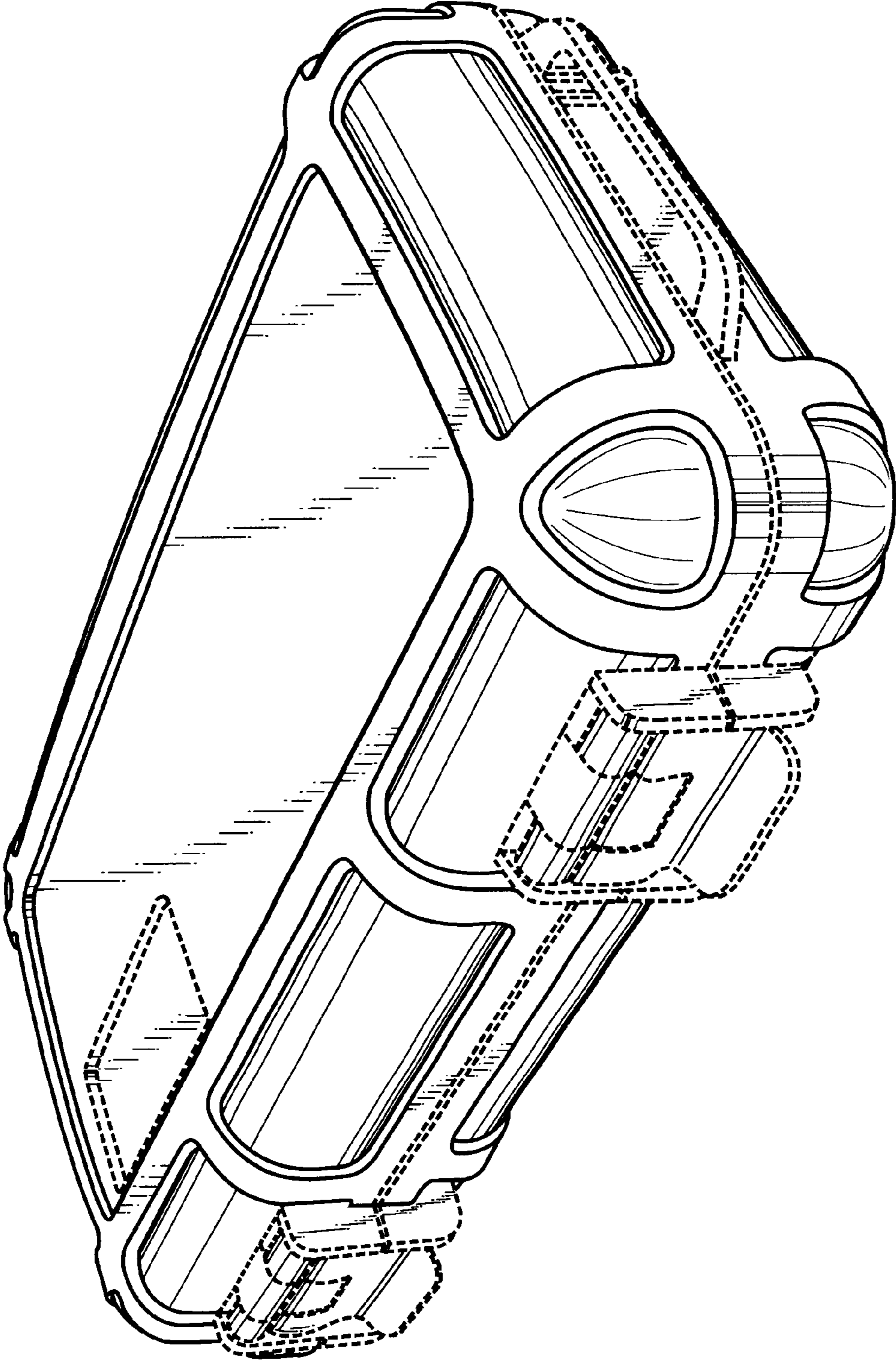


FIGURE 1

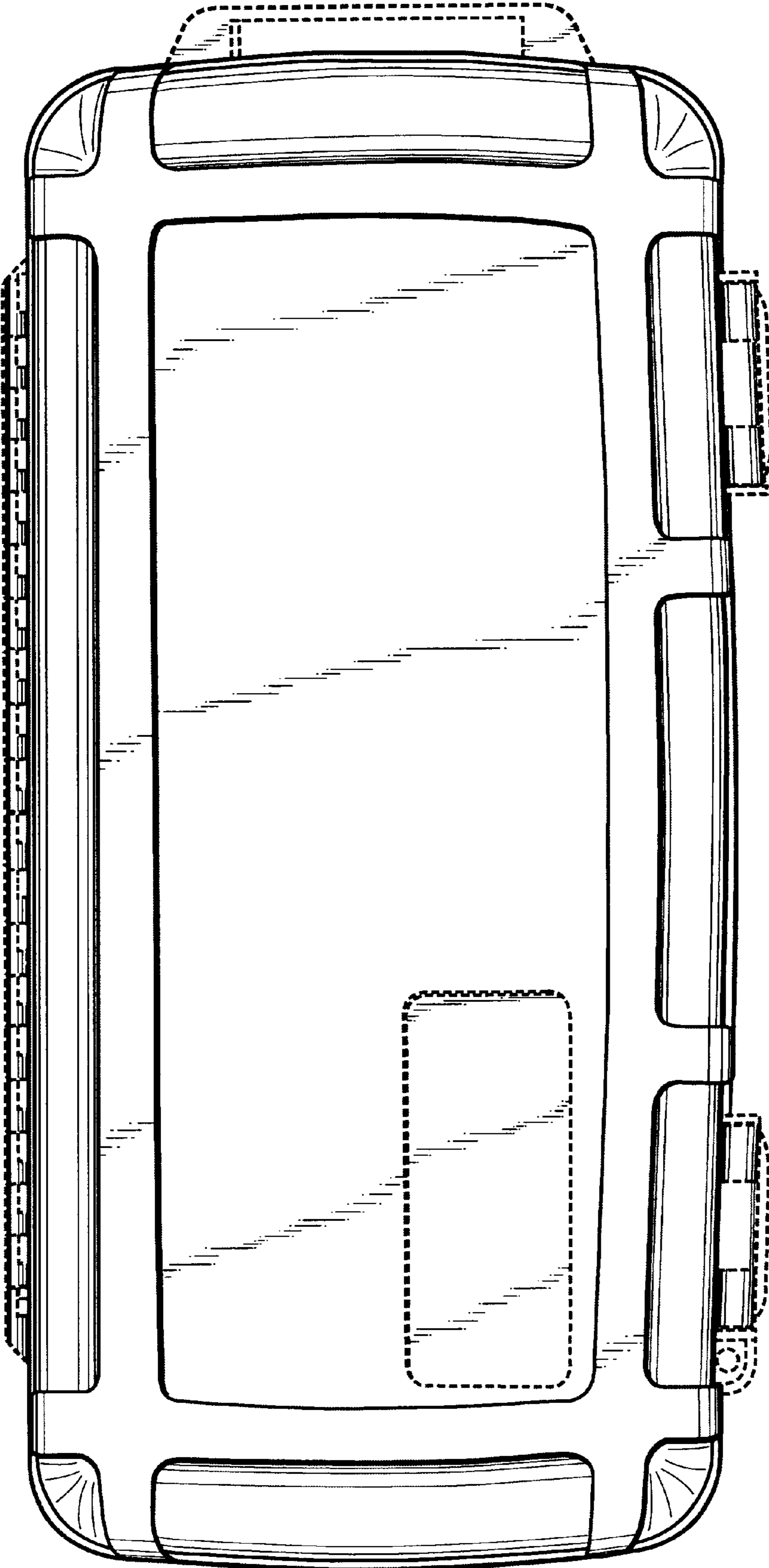


FIGURE 2

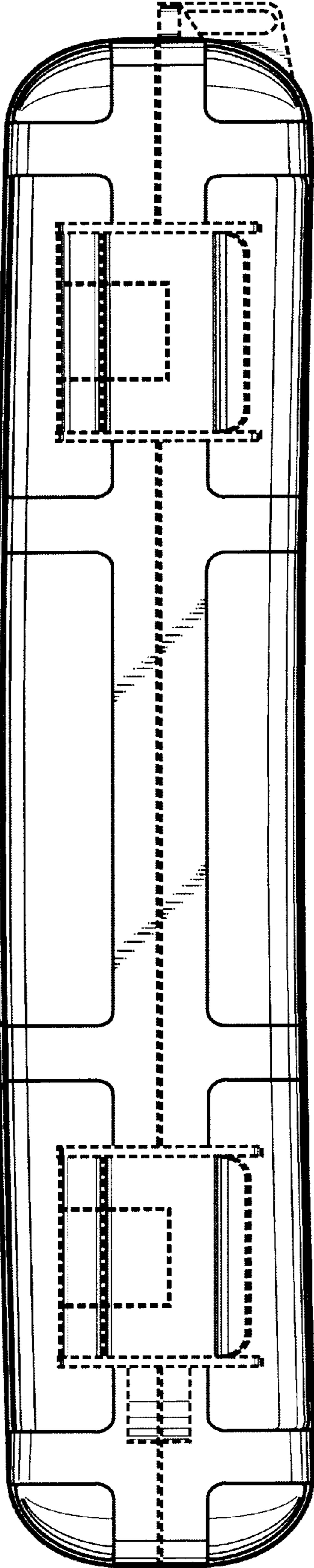


FIGURE 3

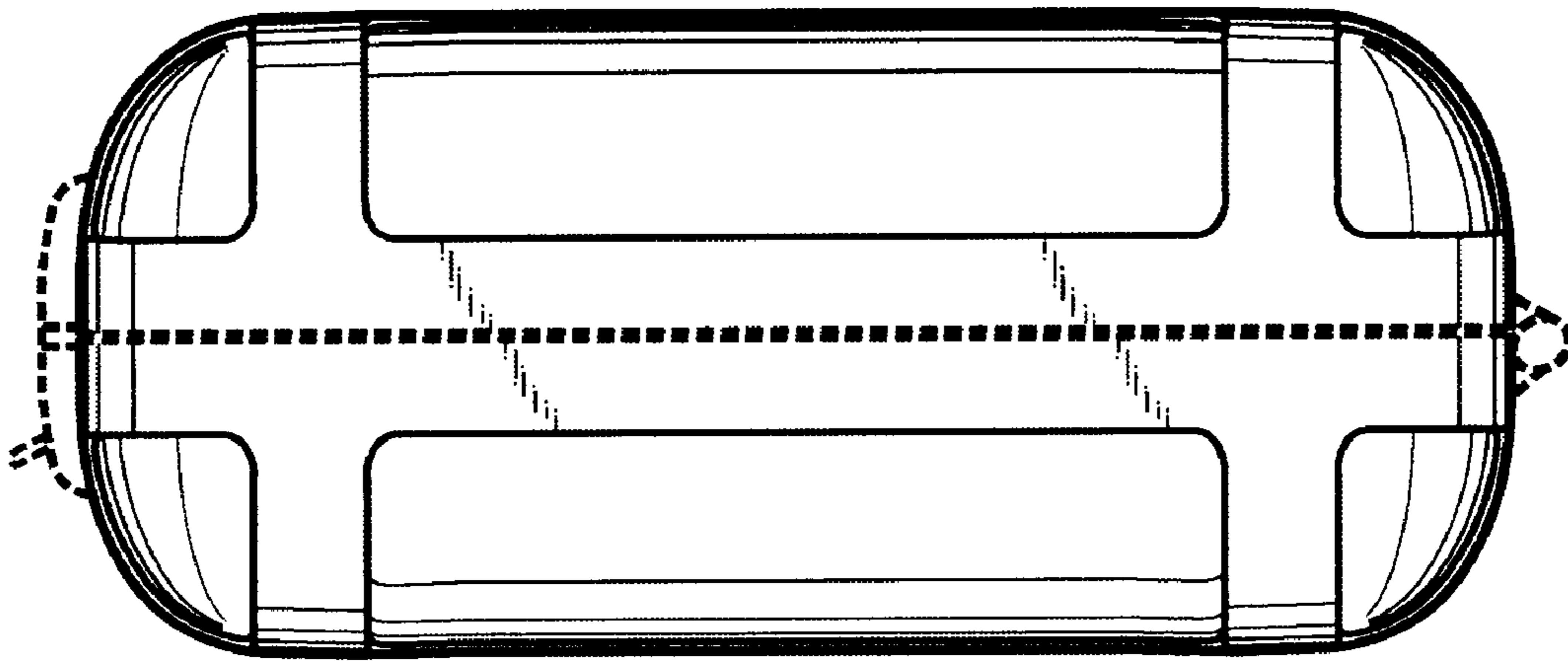


FIGURE 4

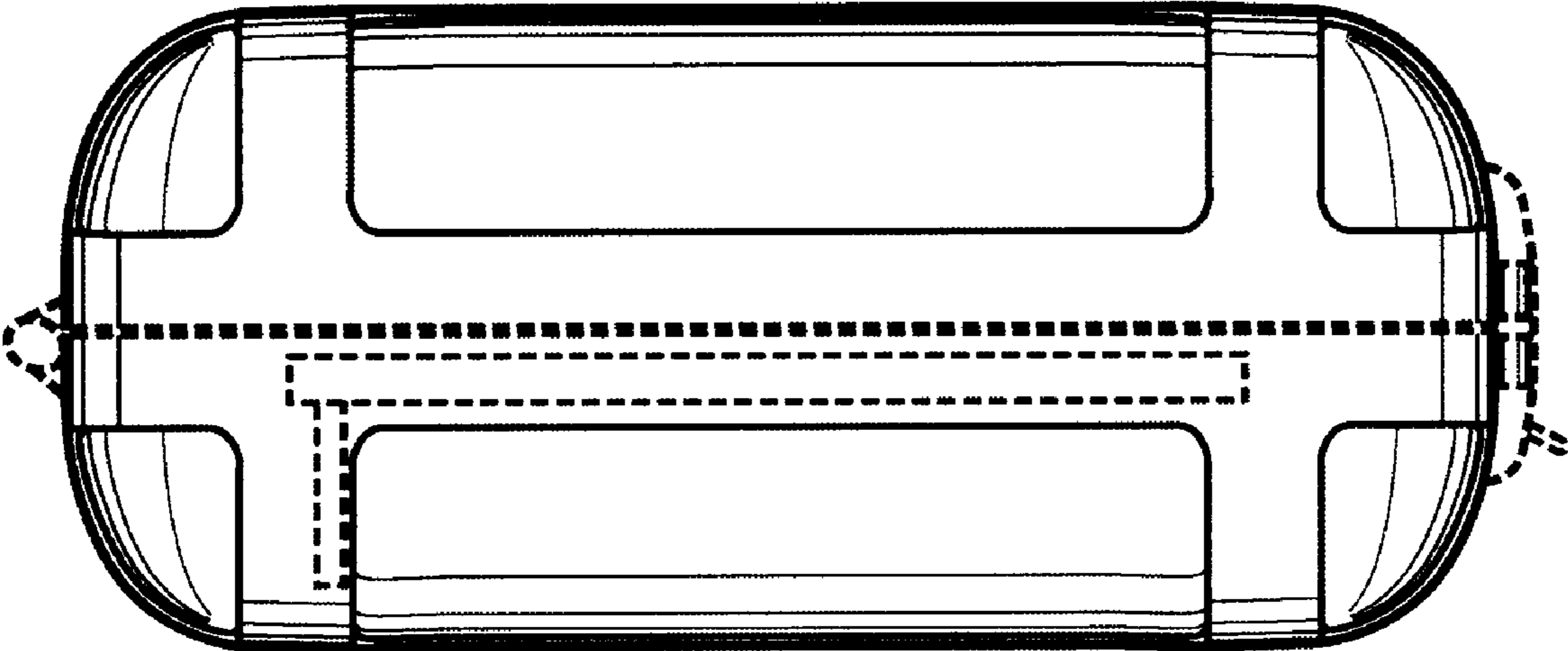


FIGURE 5

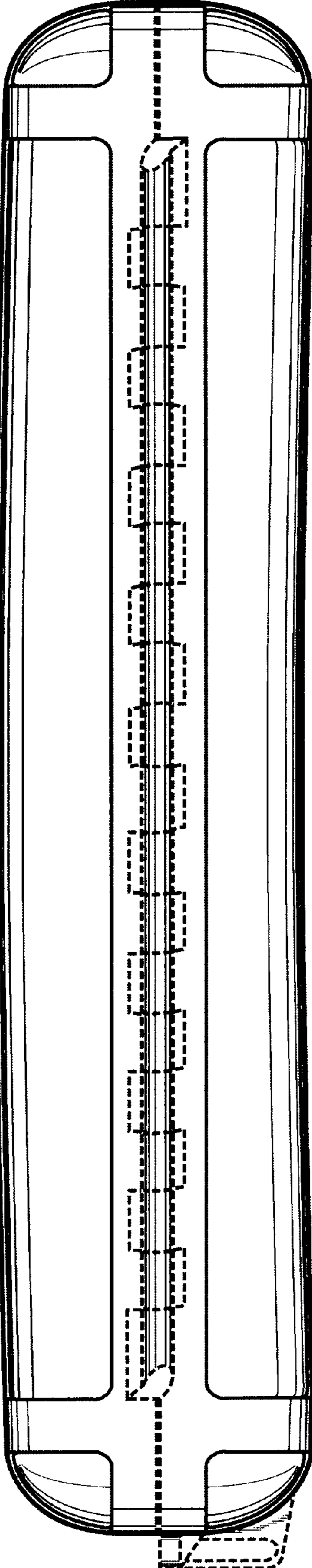


FIGURE 6

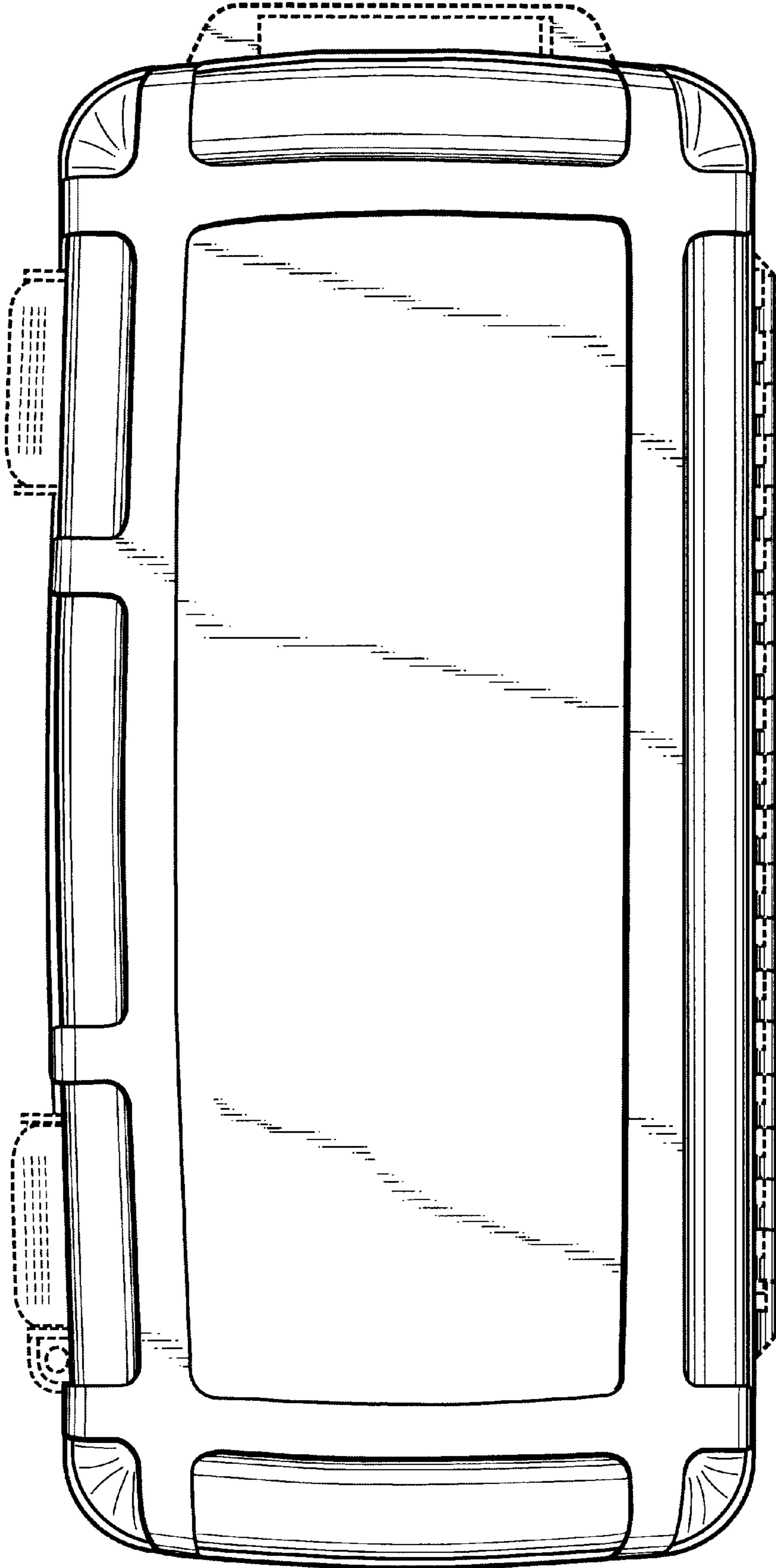


FIGURE 7