



US00D516302S

(12) **United States Design Patent**
Margiotta

(10) **Patent No.:** **US D516,302 S**
(45) **Date of Patent:** **** Mar. 7, 2006**

- (54) **PILL CASE**
- (76) **Inventor:** **Lisa Jane Margiotta**, 108 Crofters Rd., Woodbridge, Ontario (CA), L4L 7E3
- (**) **Term:** **14 Years**
- (21) **Appl. No.:** **29/224,559**
- (22) **Filed:** **Mar. 4, 2005**
- (51) **LOC (8) Cl.** **03-01**
- (52) **U.S. Cl.** **D3/203.3**
- (58) **Field of Classification Search** D3/201, D3/205, 203.2, 203.3, 219, 239, 265, 294, D3/903; D9/736, 739; 206/5, 531-539, 459.1
See application file for complete search history.

D462,512 S	*	9/2002	Wolf	D3/205
D463,101 S		9/2002	Gardner	D3/203
D473,372 S		4/2003	Weitzman	D3/203
D481,532 S	*	11/2003	Sayers et al.	D3/203.1
D497,103 S	*	10/2004	Malloy et al.	D3/203.2
D497,246 S	*	10/2004	Darst	D3/203.2

* cited by examiner

Primary Examiner—Catherine R. Oliver
(74) *Attorney, Agent, or Firm*—Anissimoff & Associates

(57) **CLAIM**

The ornamental design for a pill case, as shown and described.

DESCRIPTION

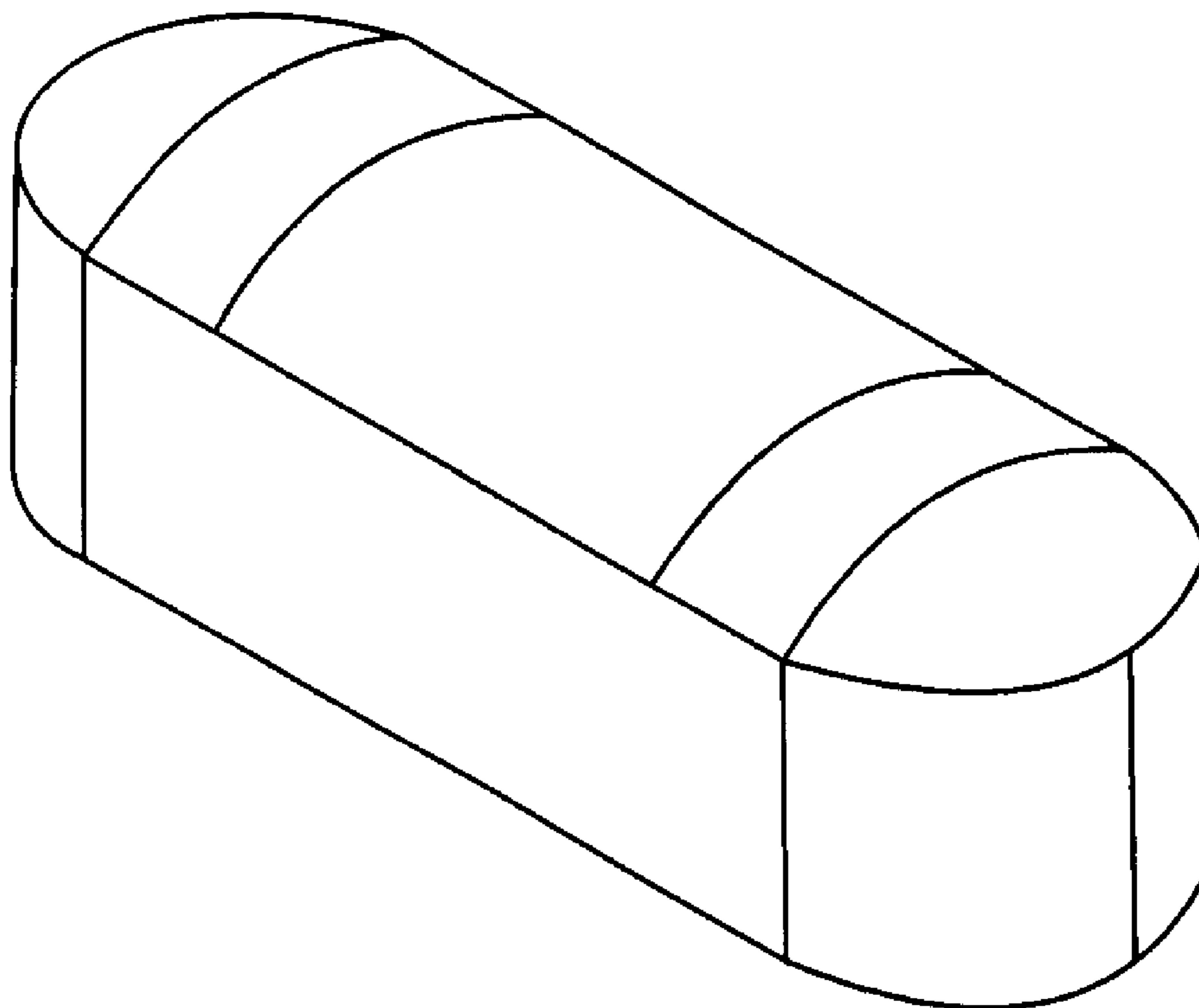
FIG. 1 is a front perspective view of the pill case showing my new design, with the doors shown in a closed position; FIG. 2 is a side elevation view thereof; FIG. 3 is an end view thereof; FIG. 4 is a top plan view thereof; FIG. 5 is a front perspective view of the pill case, with the doors shown in an open position; and, FIG. 6 is a rear perspective view thereof.

1 Claim, 2 Drawing Sheets

(56) **References Cited**

U.S. PATENT DOCUMENTS

D156,330 S	12/1949	Fields	
D232,523 S	8/1974	Nudell D3/203.3
D246,508 S	11/1977	Nudell D3/203.3
D281,225 S	11/1985	Leman D3/203.3
D349,238 S	* 8/1994	Haber D3/203.2
D427,060 S	6/2000	Lluch D3/203.2
D458,837 S	* 6/2002	Cragie D3/203.2



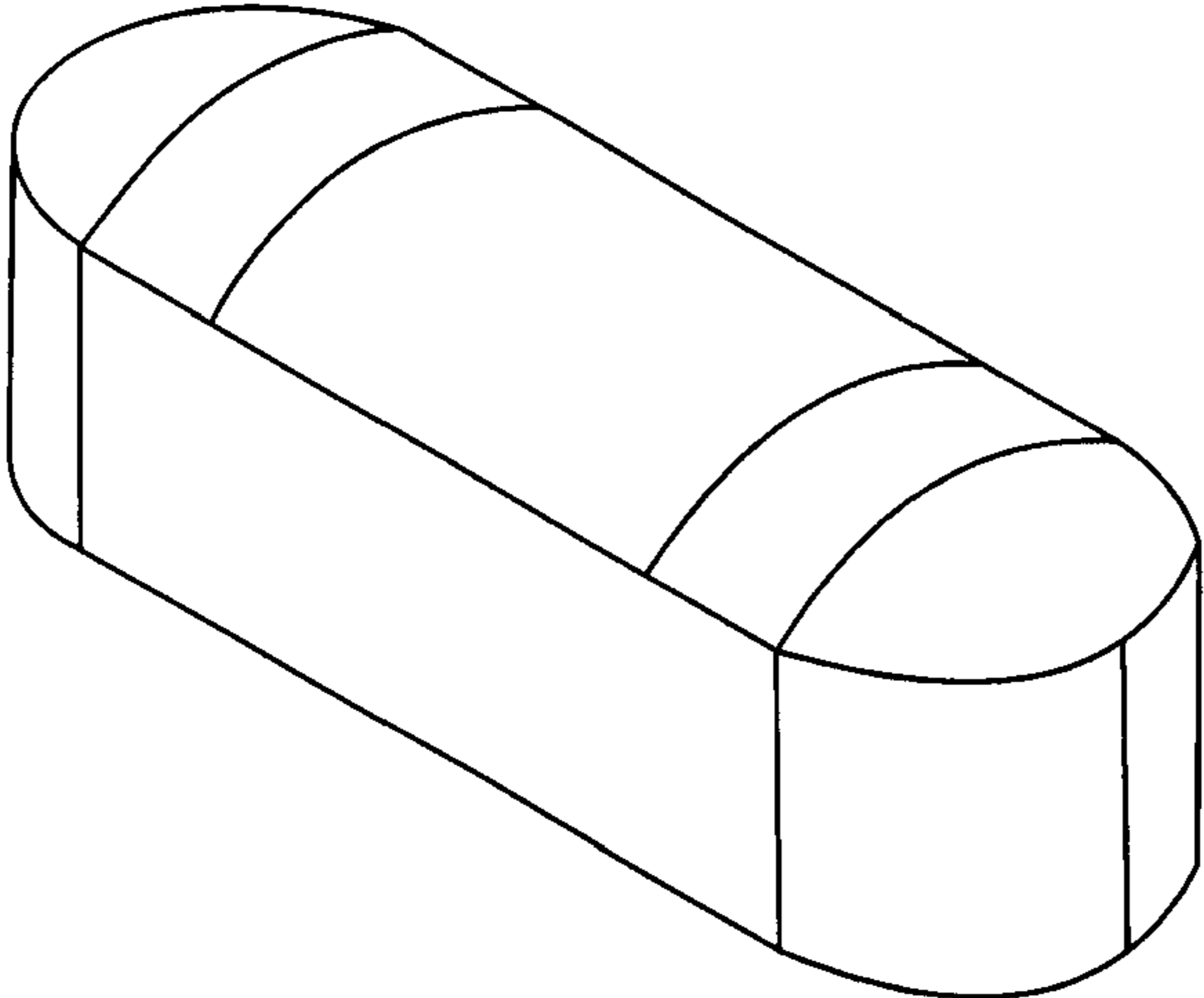


FIG. 1

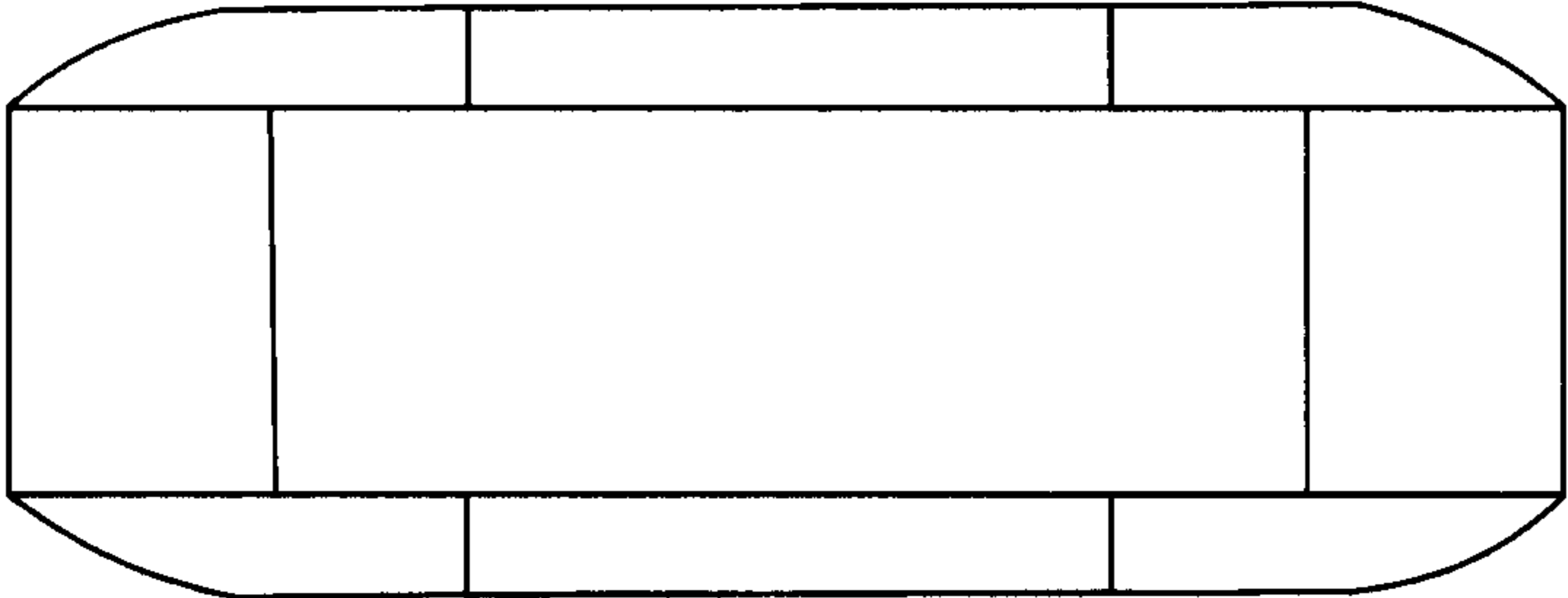


FIG. 2

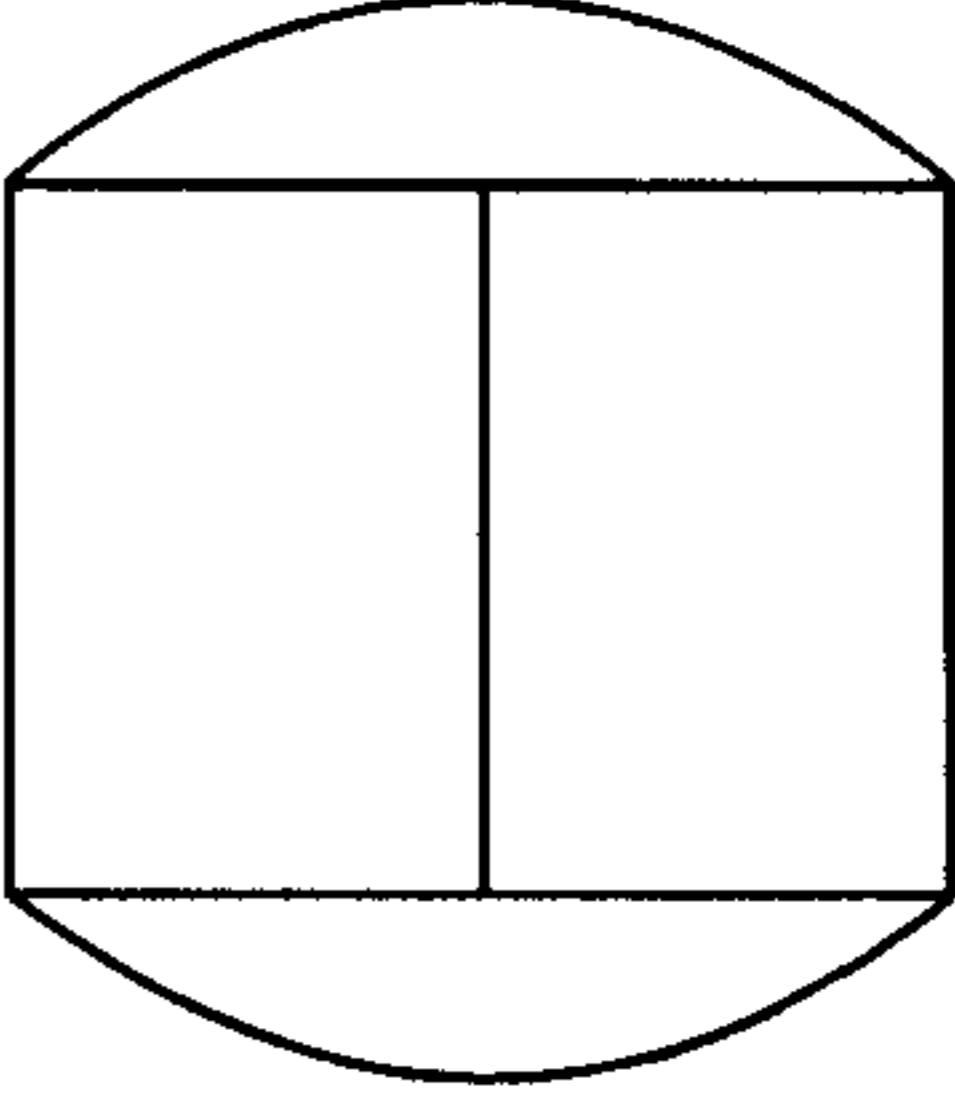


FIG. 3

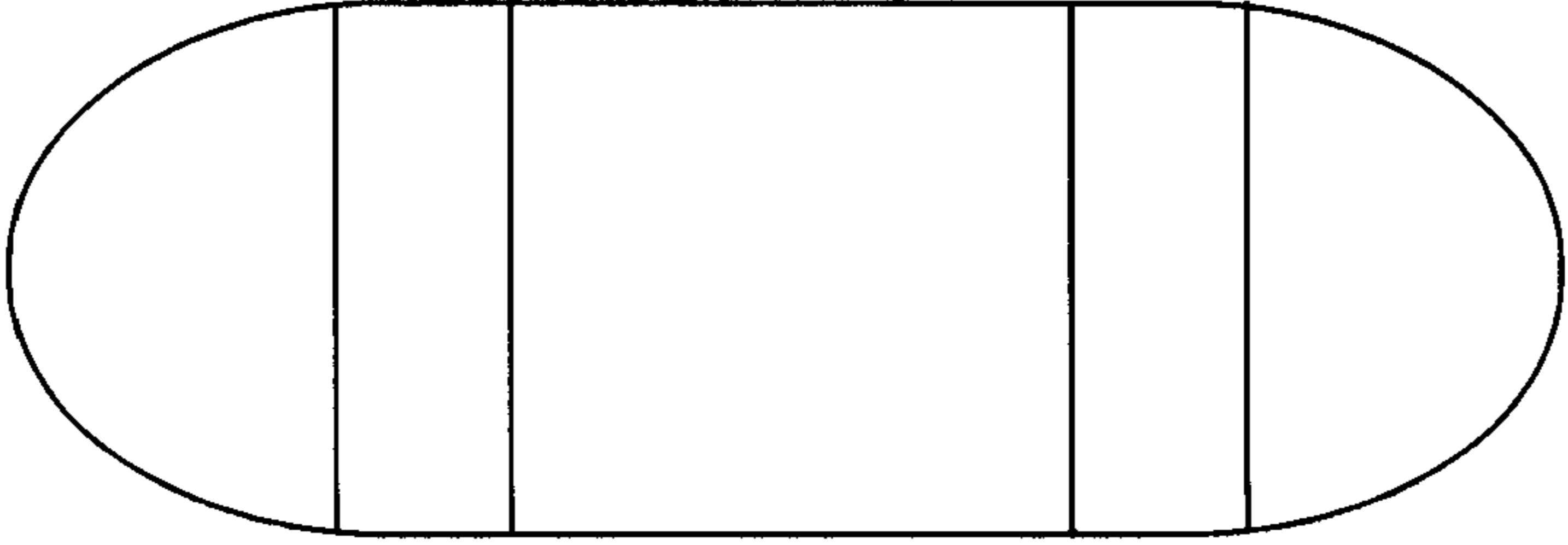


FIG. 4

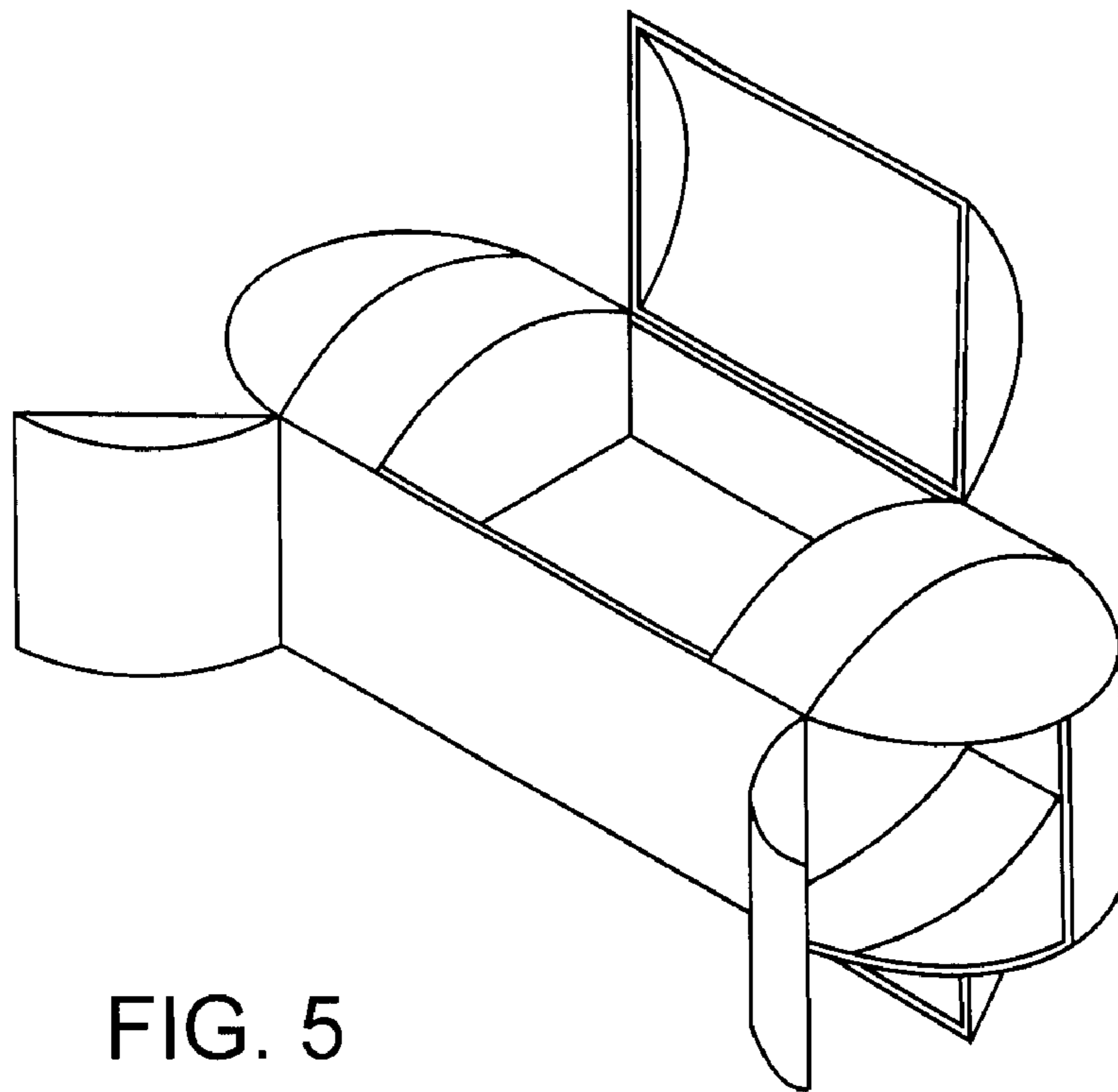


FIG. 5

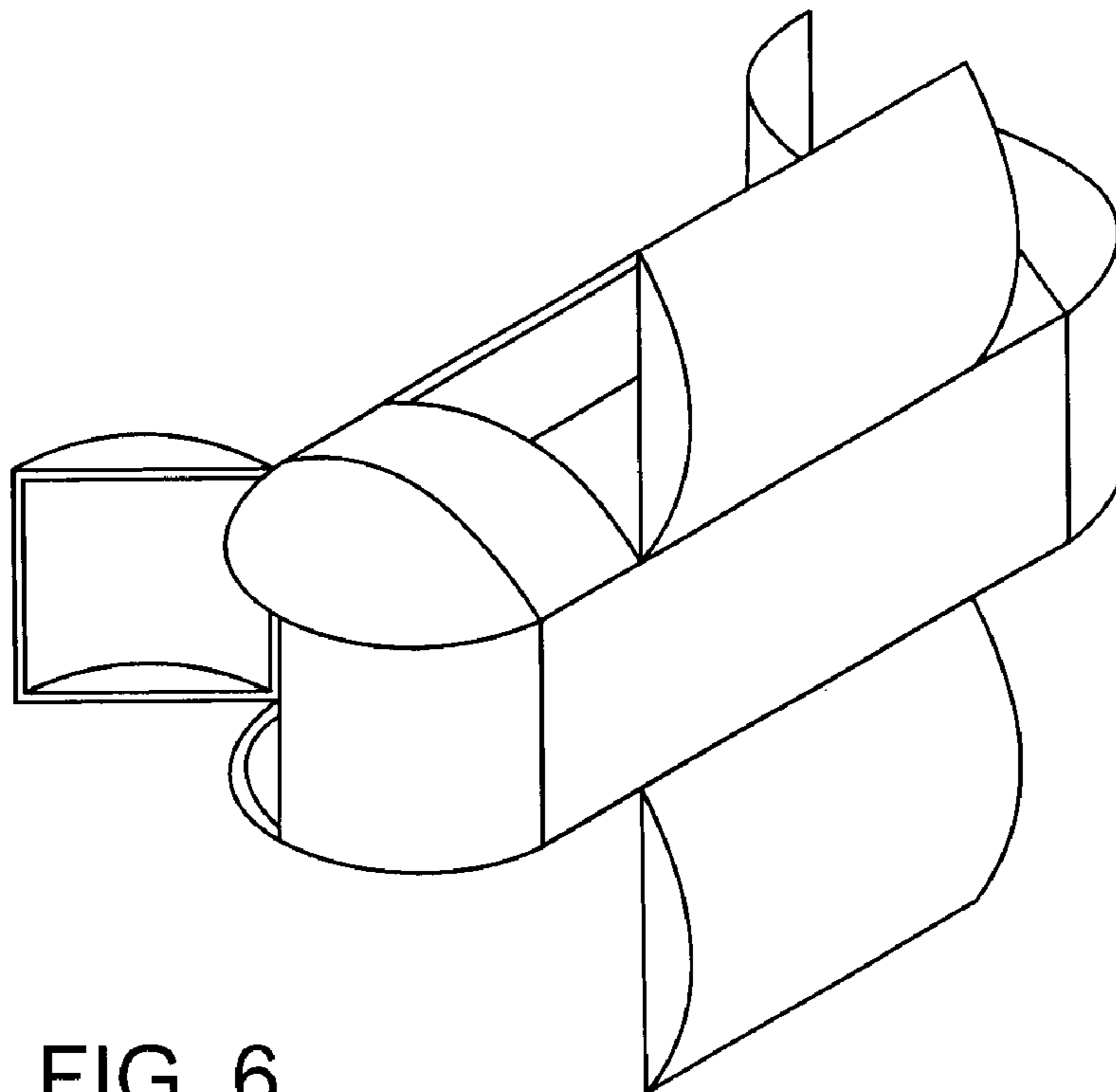


FIG. 6