



US00D516297S

(12) **United States Design Patent**
Smith et al.

(10) **Patent No.: US D516,297 S**
(45) **Date of Patent: ** Mar. 7, 2006**

(54) **UMBRELLA BASE**

D485,055 S * 1/2004 Taylor D3/10

(76) Inventors: **James C. Smith**, 336 Harder Rd.,
Hayward, CA (US) 94544; **David J. Taylor**, 129 Sugar Creek La., Alamo,
CA (US) 94507

OTHER PUBLICATIONS

Catalog page from unknown source showing an umbrella stand (undated).

(**) Term: **14 Years**

* cited by examiner

Primary Examiner—Sandra S. Snapp

(21) Appl. No.: **29/217,083**

(74) *Attorney, Agent, or Firm*—Donald L. Beeson

(22) Filed: **Nov. 12, 2004**

(57) **CLAIM**

(51) **LOC (8) Cl.** **03-03**

The ornamental design for an umbrella base, as shown and described.

(52) **U.S. Cl.** **D3/10**

(58) **Field of Classification Search** D3/5-17;
135/44, 15.1, 19.5, 98, 99; 248/519, 523
See application file for complete search history.

DESCRIPTION

(56) **References Cited**

FIG. 1 is a top perspective view of an umbrella base showing our new design;

FIG. 2 a side elevational view thereof, the other three sides being identical thereto; and,

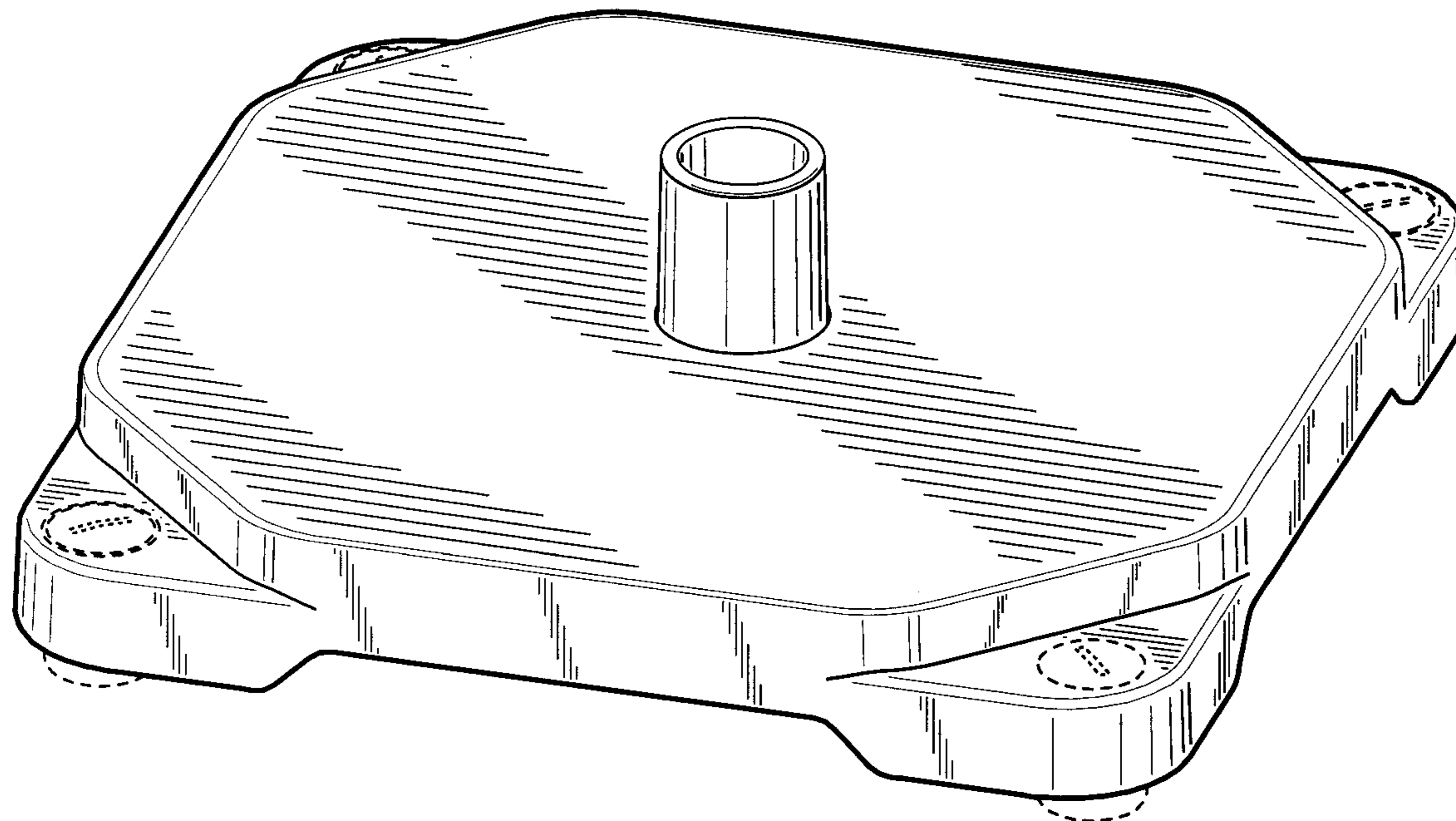
FIG. 3 is a top plan view thereof.

U.S. PATENT DOCUMENTS

4,148,455 A	4/1979	Oliver	
D305,702 S	* 1/1990	Taliani et al.	D3/10
5,354,031 A	10/1994	Bilotti	
5,499,644 A	3/1996	Ceniele	
6,113,054 A	9/2000	Ma	
6,367,494 B1	4/2002	Tung	
6,446,930 B1	9/2002	Li	
6,511,033 B1	1/2003	Li	
6,554,243 B1	* 4/2003	Davis et al.	248/519
D484,303 S	12/2003	Taylor	

The broken lines shown in FIG. 2 forming a trapezoidal shape immediately adjacent the shaded areas represents the bounds of the claimed design, and all other broken lines, shown in FIGS. 1-3 are for illustrative purposes only. None of the broken lines form a part of our claimed design. The bottom of the umbrella base of our new design is unornamented and forms no part of our design.

1 Claim, 3 Drawing Sheets



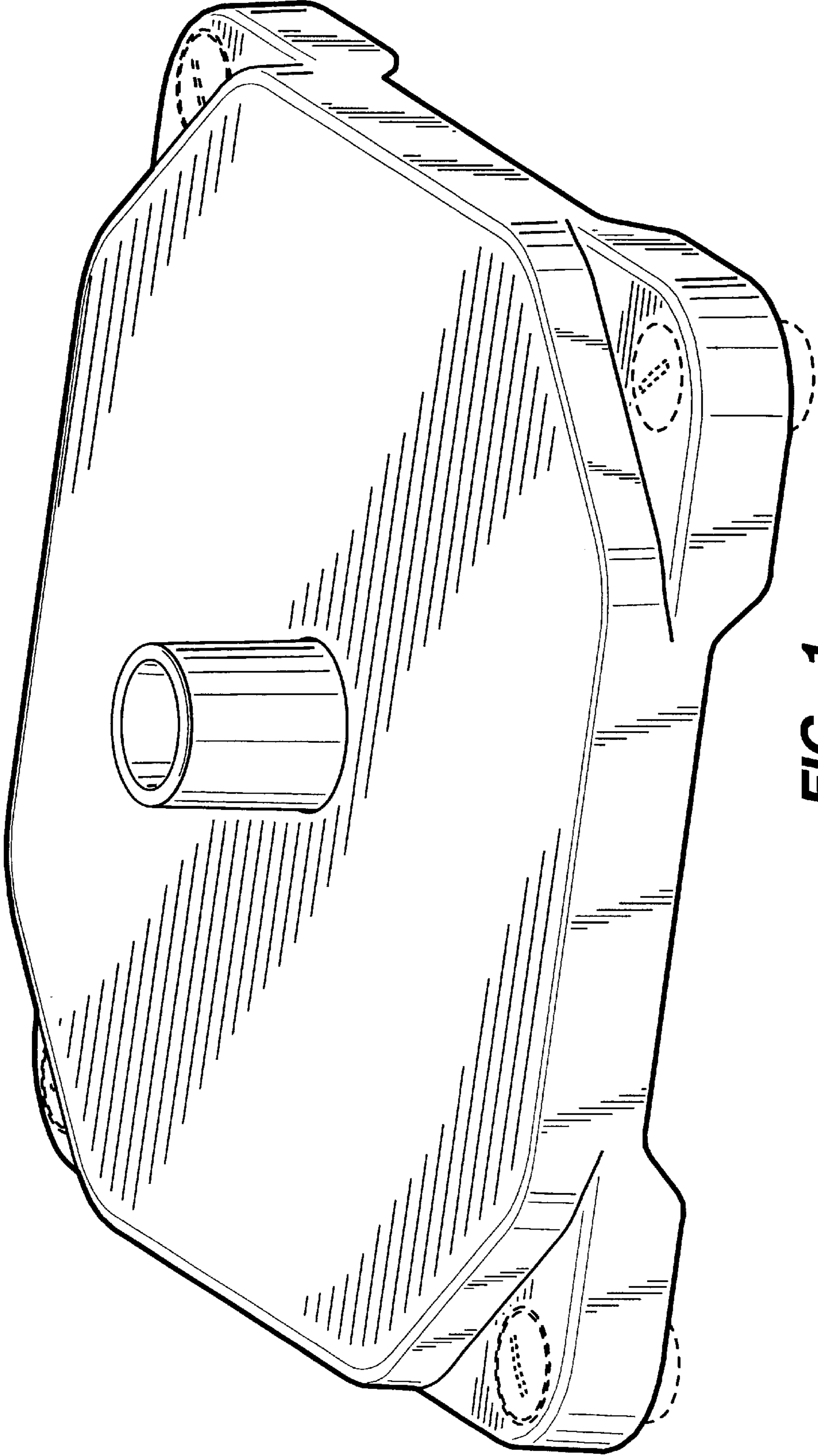


FIG. 1

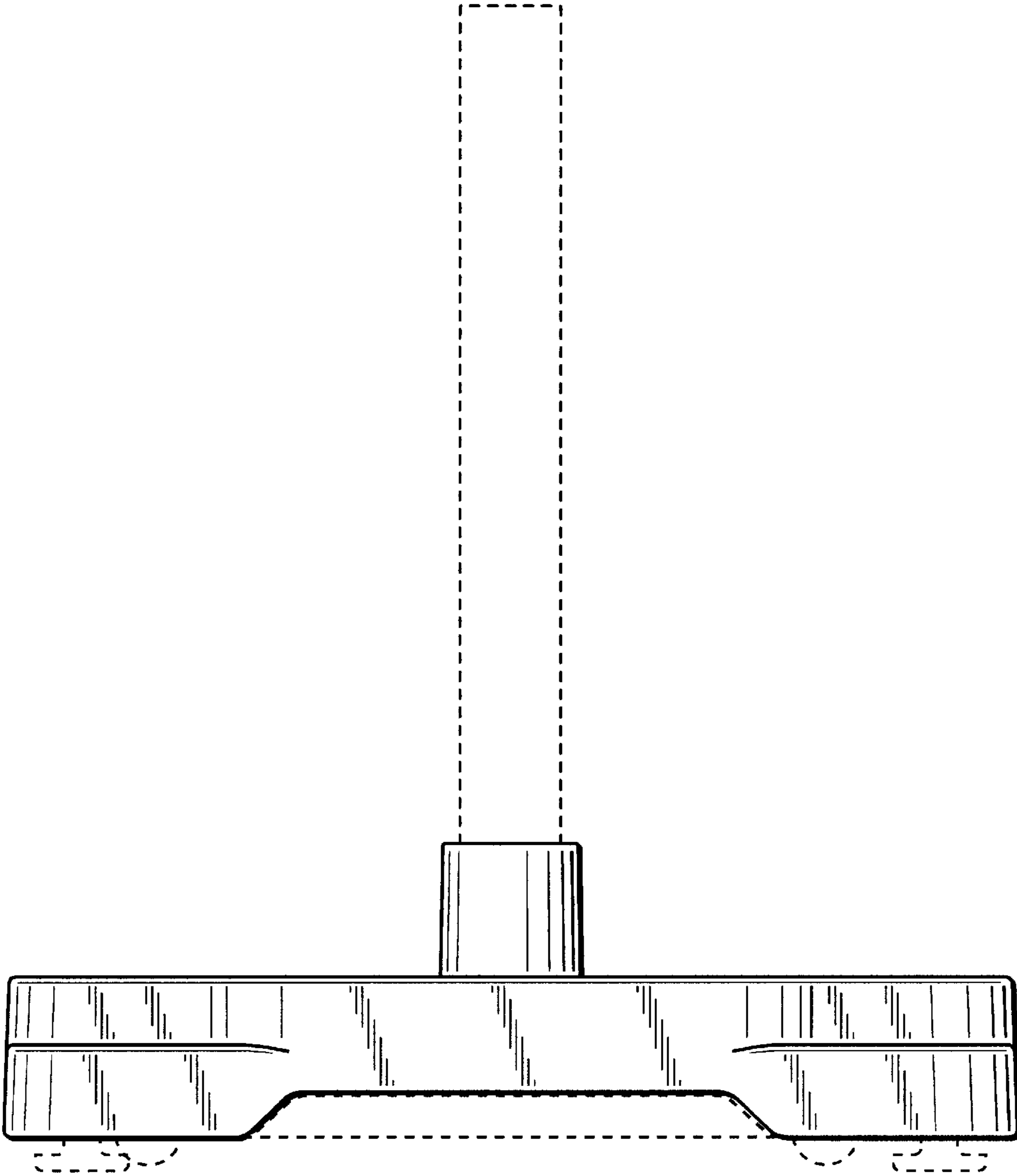


FIG. 2

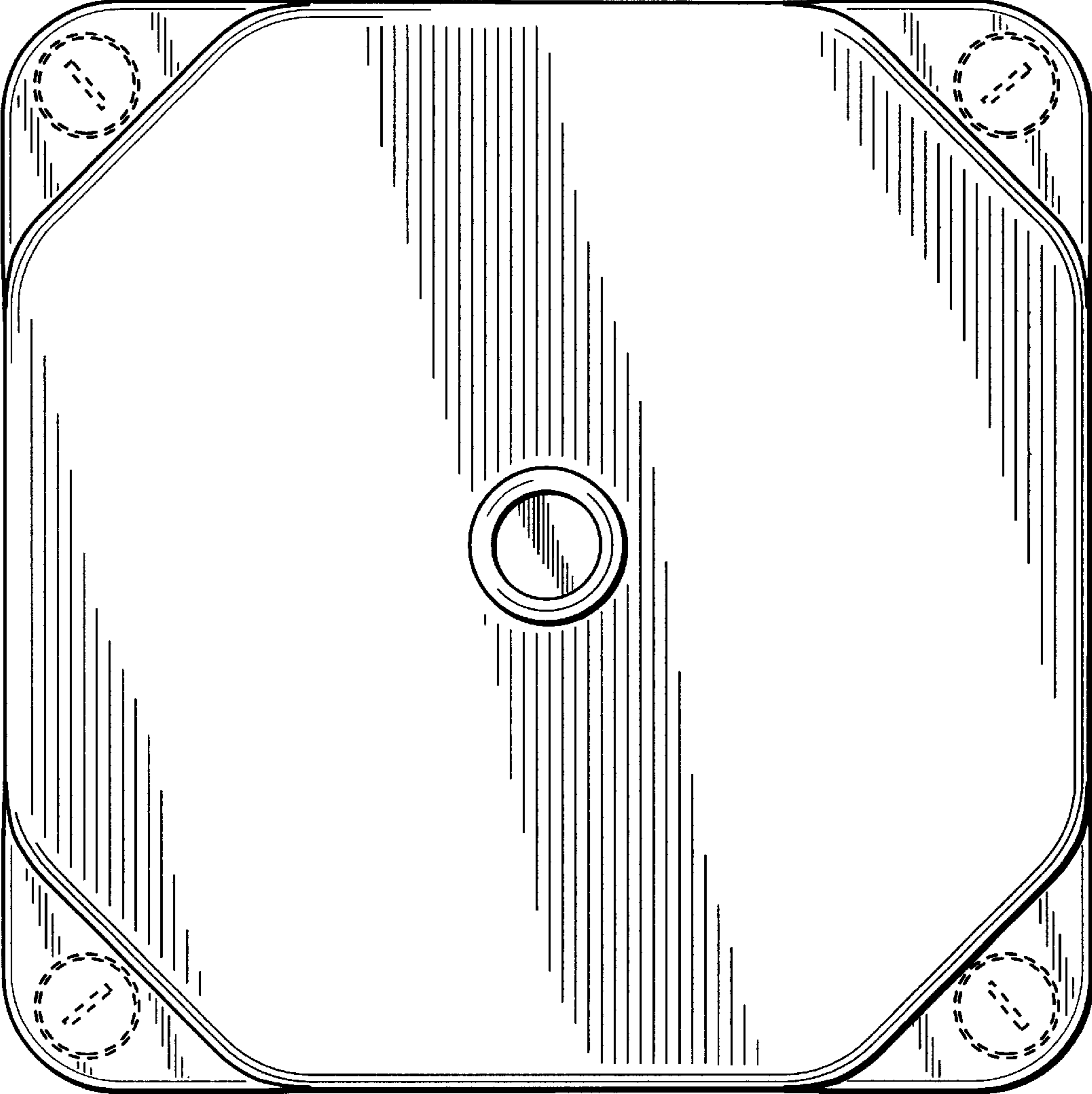


FIG._3