



US00D516296S

(12) **United States Design Patent**
Napieraj

(10) **Patent No.: US D516,296 S**
(45) **Date of Patent: ** Mar. 7, 2006**

(54) **UMBRELLA SHAFT AND JOINT**

(76) Inventor: **Roman W. Napieraj**, 178 Scott St.
Unit #34, St. Catherines, Ontario (CA),
L2N 6Y5

(**) Term: **14 Years**

(21) Appl. No.: **29/215,398**

(22) Filed: **Oct. 18, 2004**

(51) **LOC (8) Cl. 03-03**

(52) **U.S. Cl. D3/10**

(58) **Field of Classification Search** D3/5-17;
135/15.1, 44, 20.1, 21; 297/184.1, 184.11,
297/184.17, 184.15, 184.16

See application file for complete search history.

(56) **References Cited**

U.S. PATENT DOCUMENTS

3,050,280	A	*	8/1962	Malachy	248/514
4,318,567	A	*	3/1982	Guthier	297/184.16
4,871,141	A	*	10/1989	Chen	248/534
D338,327	S	*	8/1993	Lewis	D3/5
5,350,215	A	*	9/1994	DeMars	297/188.14
5,921,258	A	*	7/1999	Francois	135/88.03
6,105,594	A	*	8/2000	Diaz	135/16
6,328,047	B1	*	12/2001	Lee	135/20.1
6,471,289	B1	*	10/2002	Aguilar	297/184.16
6,520,574	B1	*	2/2003	Huang	297/184.16
D477,906	S	*	8/2003	Martin	D3/5
D486,310	S	*	2/2004	Goldy	D6/335
2002/0157693	A1	*	10/2002	Whitmer	135/16

* cited by examiner

Primary Examiner—Sandra S. Snapp
(74) *Attorney, Agent, or Firm*—Jones Day

(57) **CLAIM**

The ornamental design for an umbrella shaft and joint, as shown and described.

DESCRIPTION

FIG. 1 is a rear perspective view of my new design for an umbrella shaft and joint with a locking sleeve in a locked position to maintain the shaft and joint in a use position, and wherein a canopy portion of an umbrella and a chair are illustrated in broken lines for environmental purposes only and not forming a part of the claimed design;

FIG. 2 is a rear perspective view thereof, with the locking sleeve in a unlocked position, but with the shaft and joint still illustrated in a use position;

FIG. 3 is a front elevational view thereof, with the locking sleeve in an unlocked position, but with the shaft and joint still illustrated in a use position;

FIG. 4 is a right side elevational view thereof, with the locking sleeve in a locked position and with the shaft and joint illustrated in a use position;

FIG. 5 is a left side elevational view thereof, with the locking sleeve in an unlocked position, but with the shaft and joint still illustrated in a use position;

FIG. 6 is a bottom view thereof;

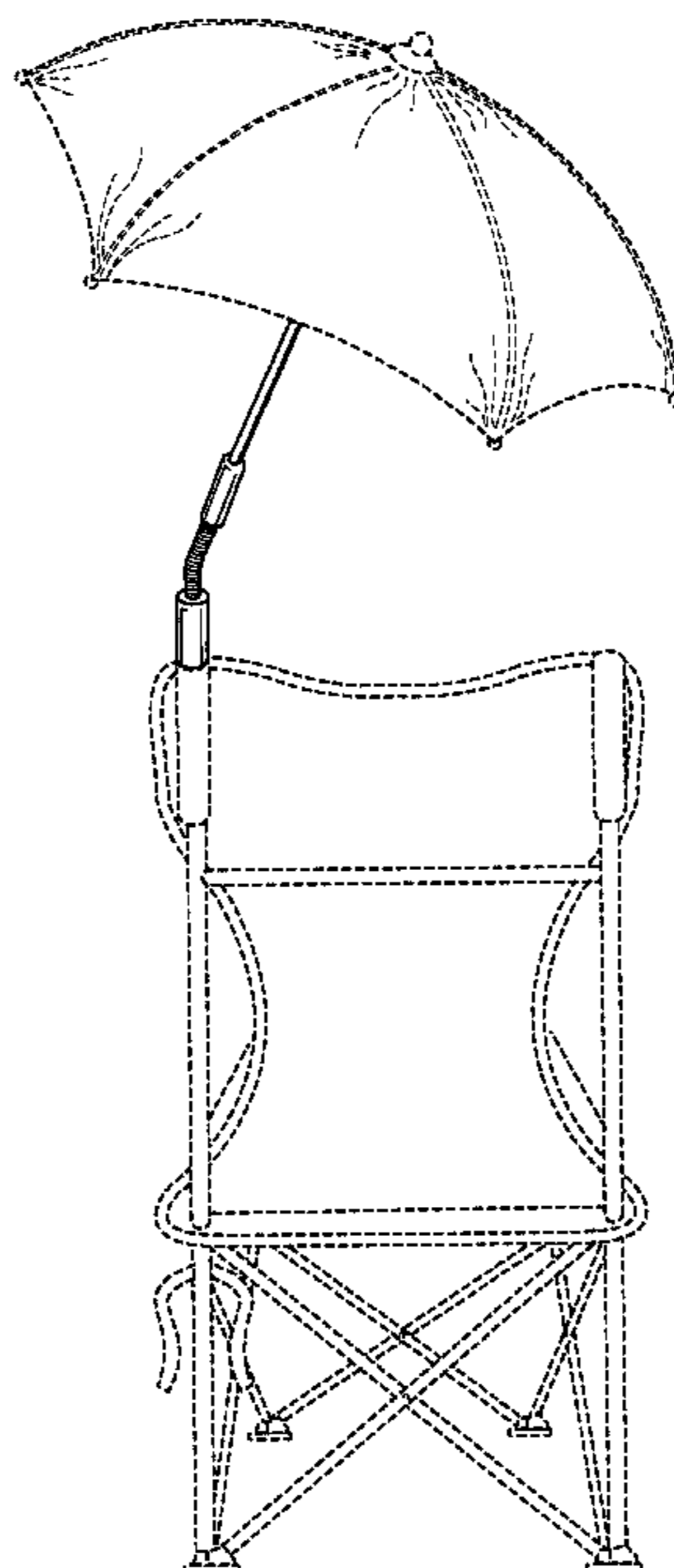
FIG. 7 is a top view thereof;

FIG. 8 is a rear elevational view thereof, with the locking sleeve in an unlocked position and the shaft and joint in a non-use or stored position; and,

FIG. 9 is a right side elevational view thereof, with the locking sleeve in an unlocked position and the shaft and joint in a non-use or stored position.

The broken lines shown in the drawings are for illustrative purposes only and form no part of the claimed design.

1 Claim, 9 Drawing Sheets



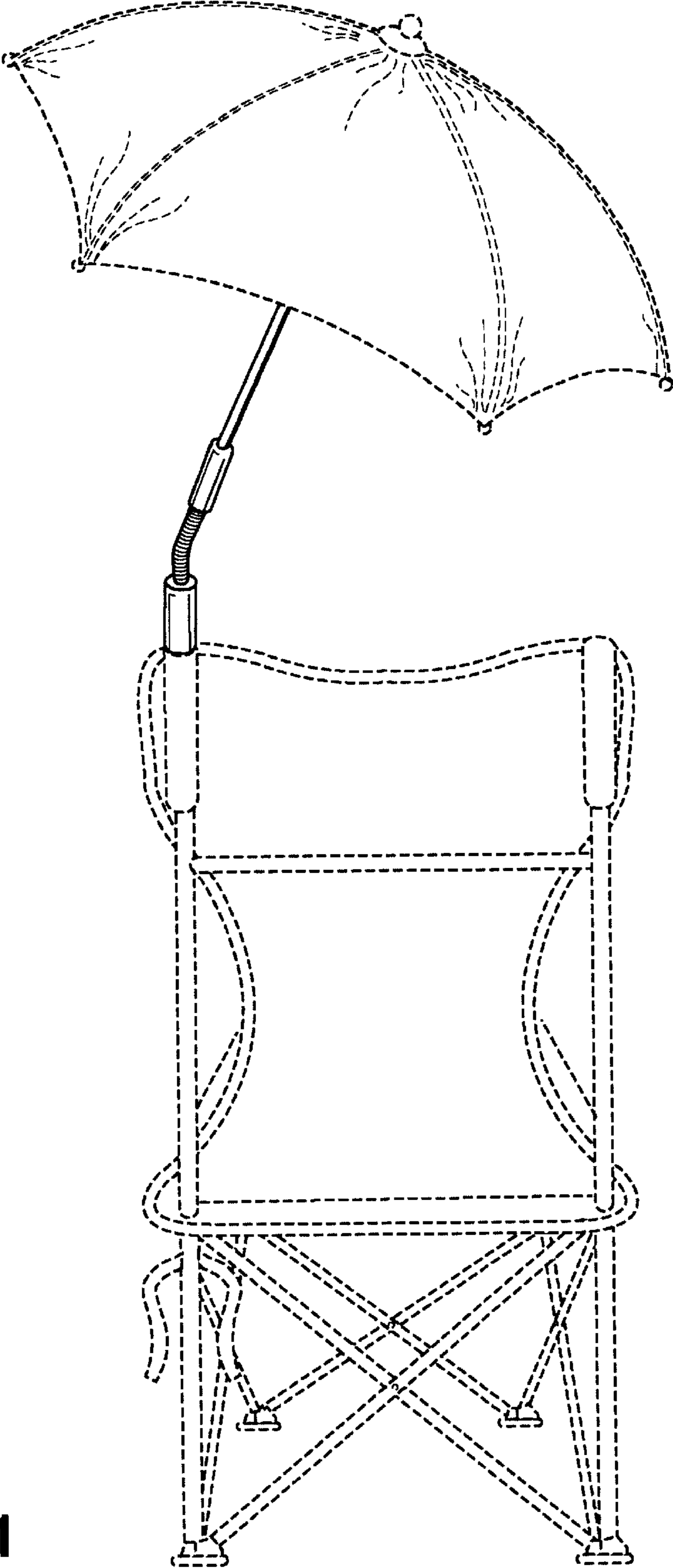


FIG. 1

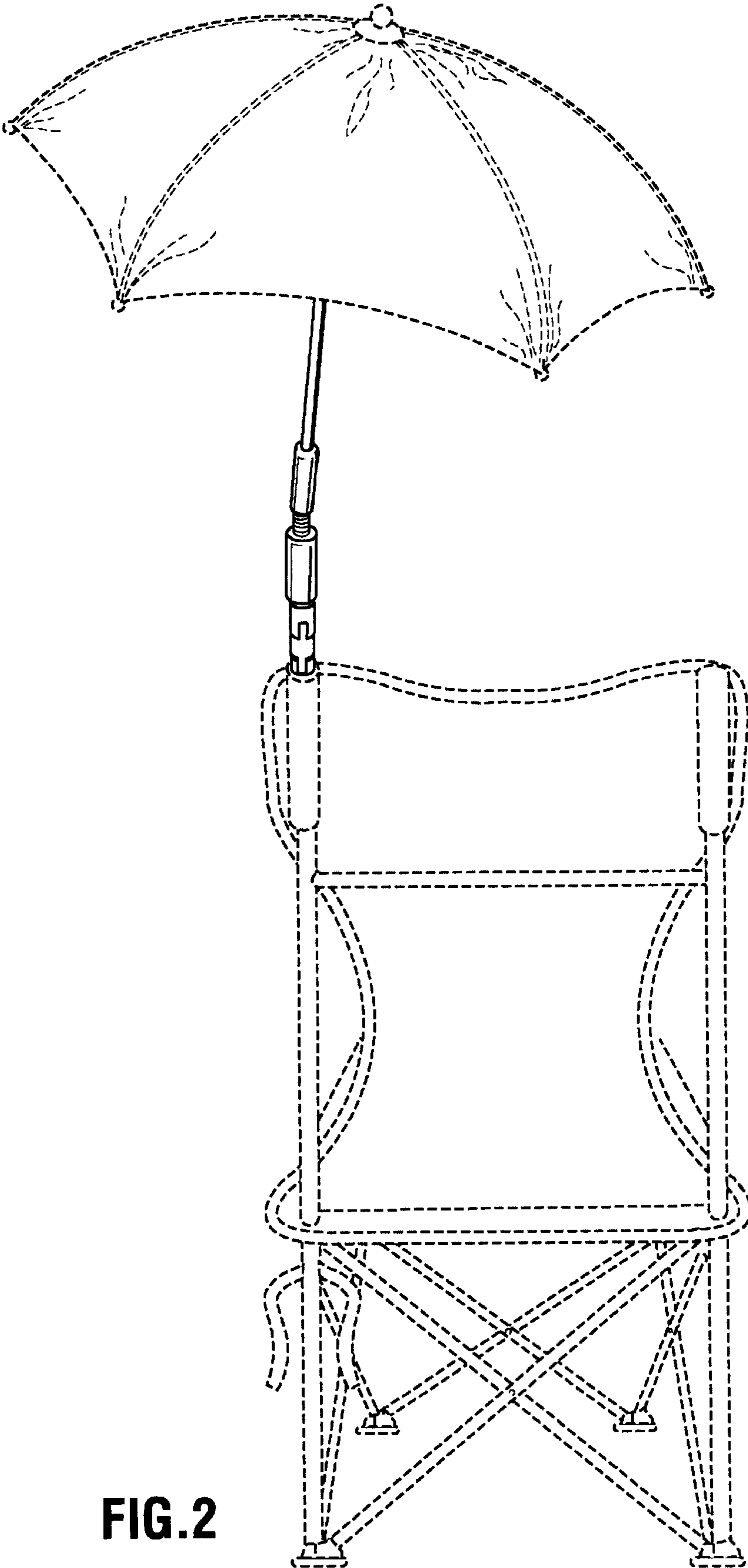


FIG.2

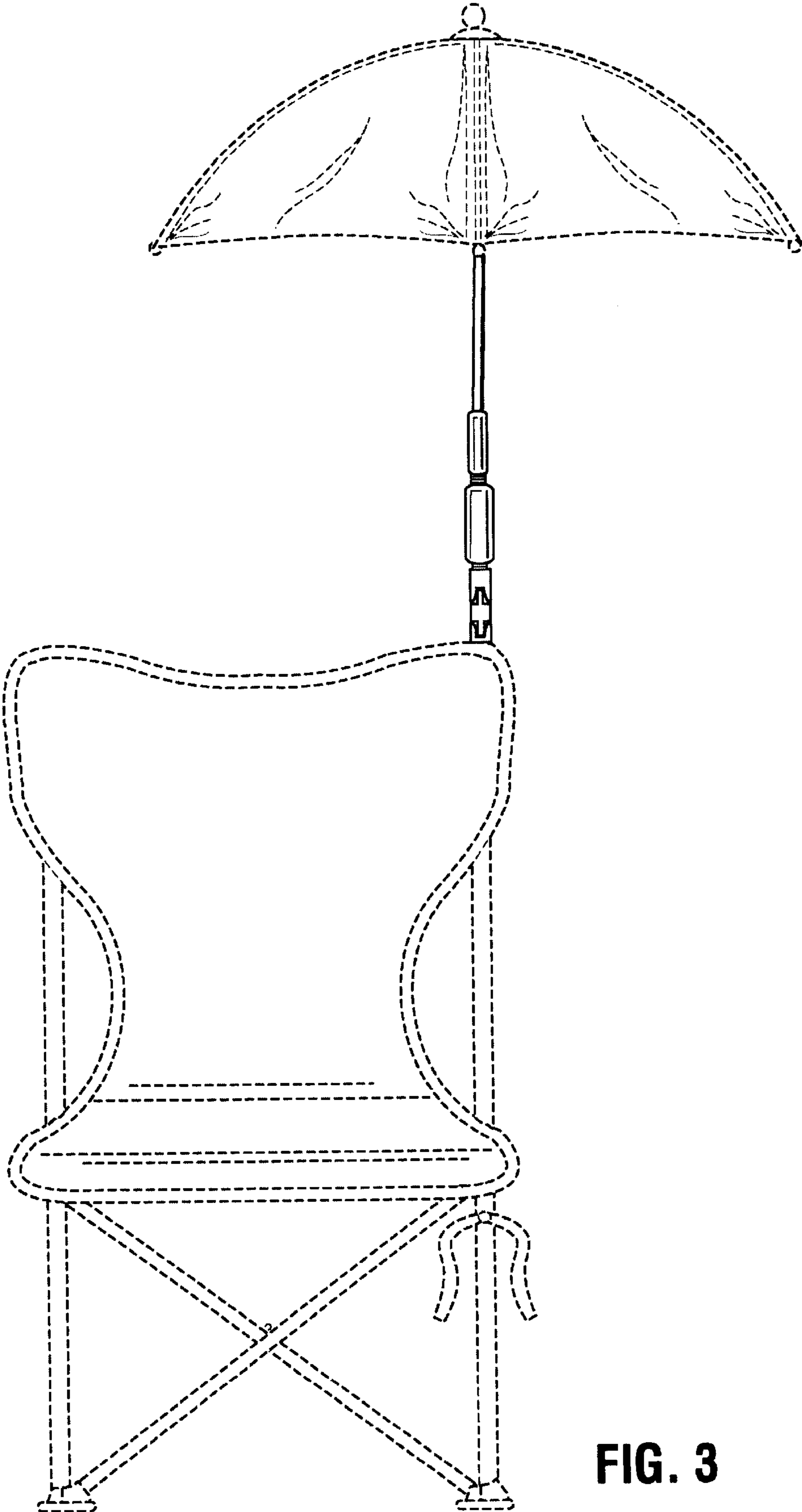


FIG. 3

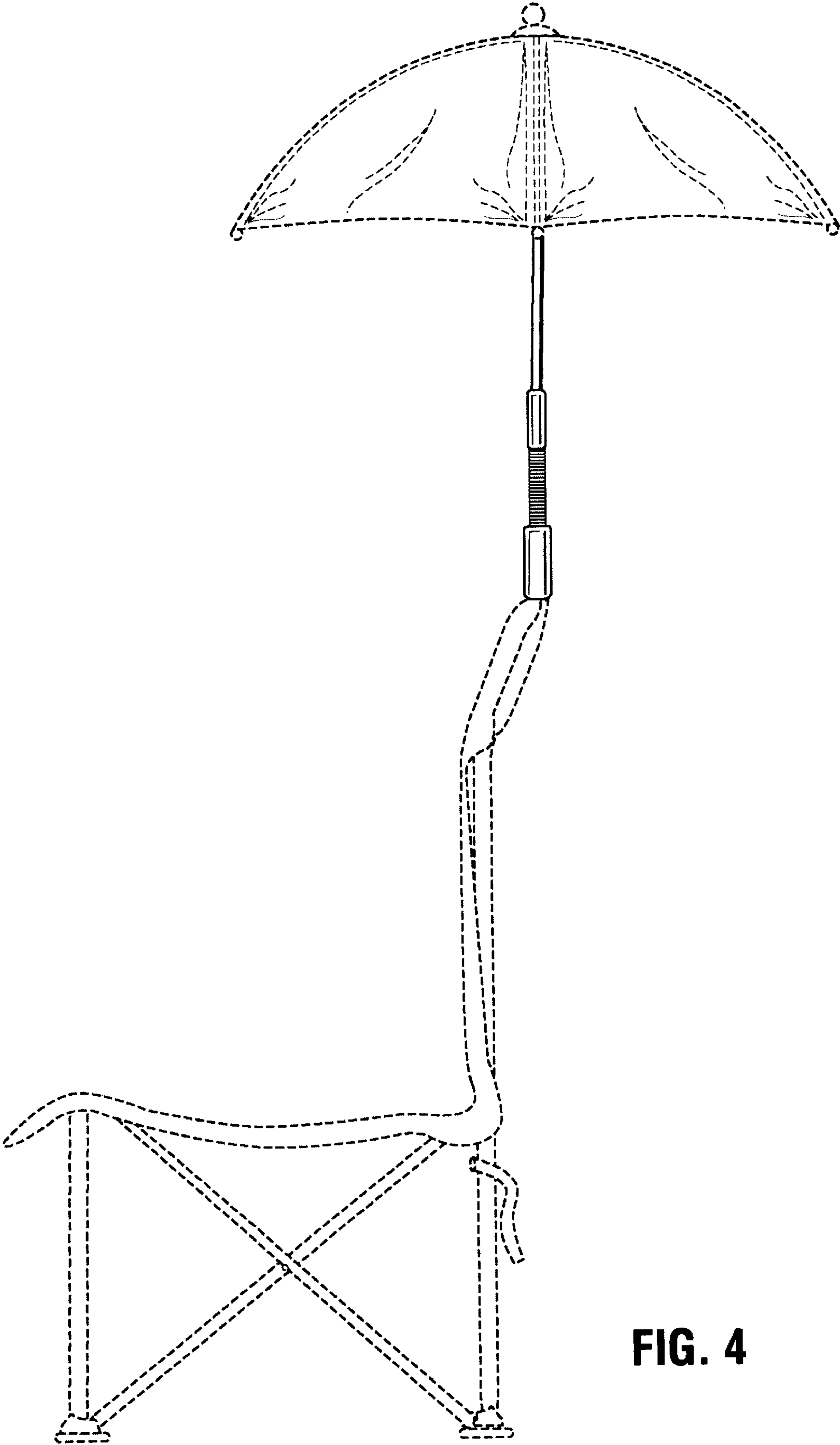


FIG. 4

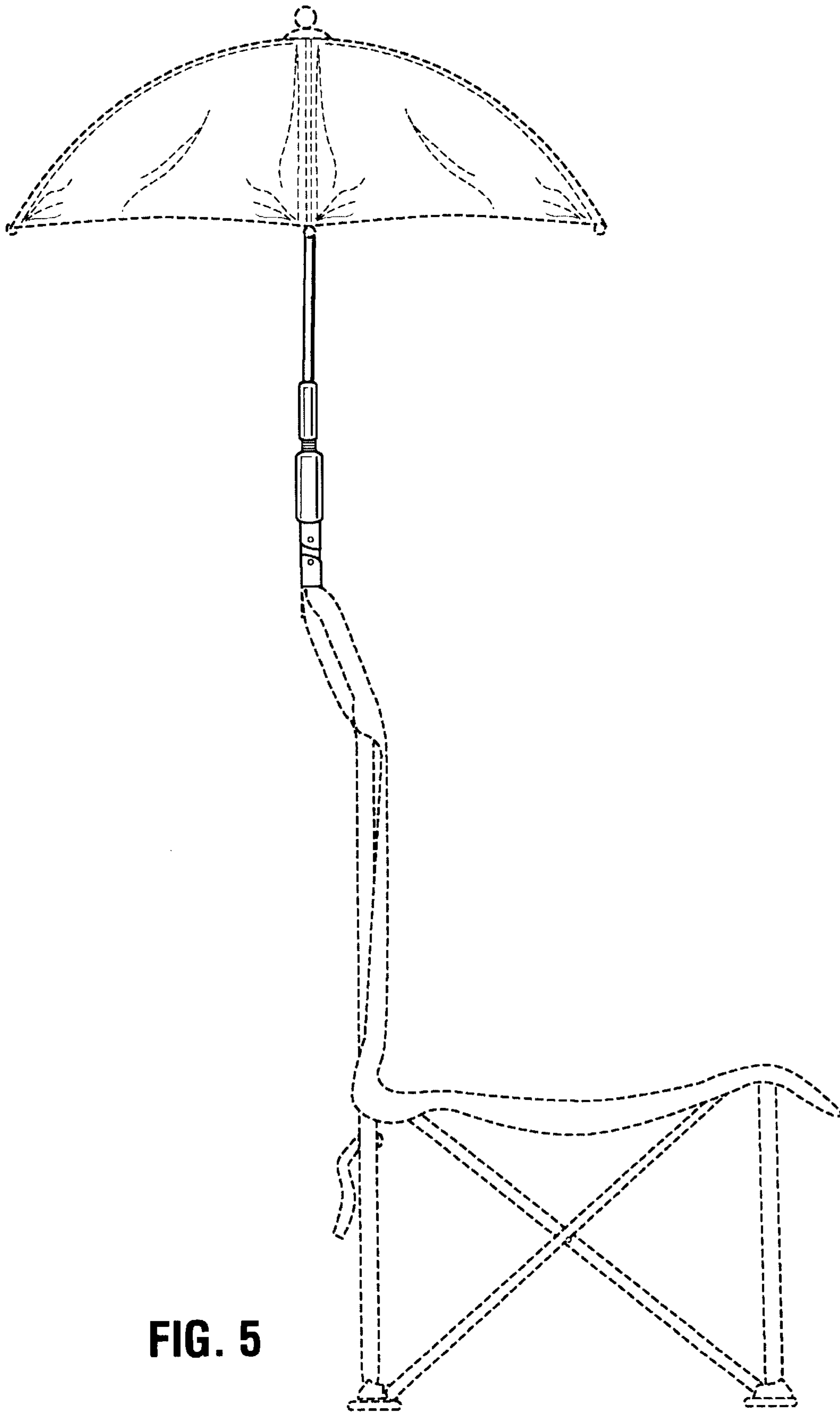


FIG. 5

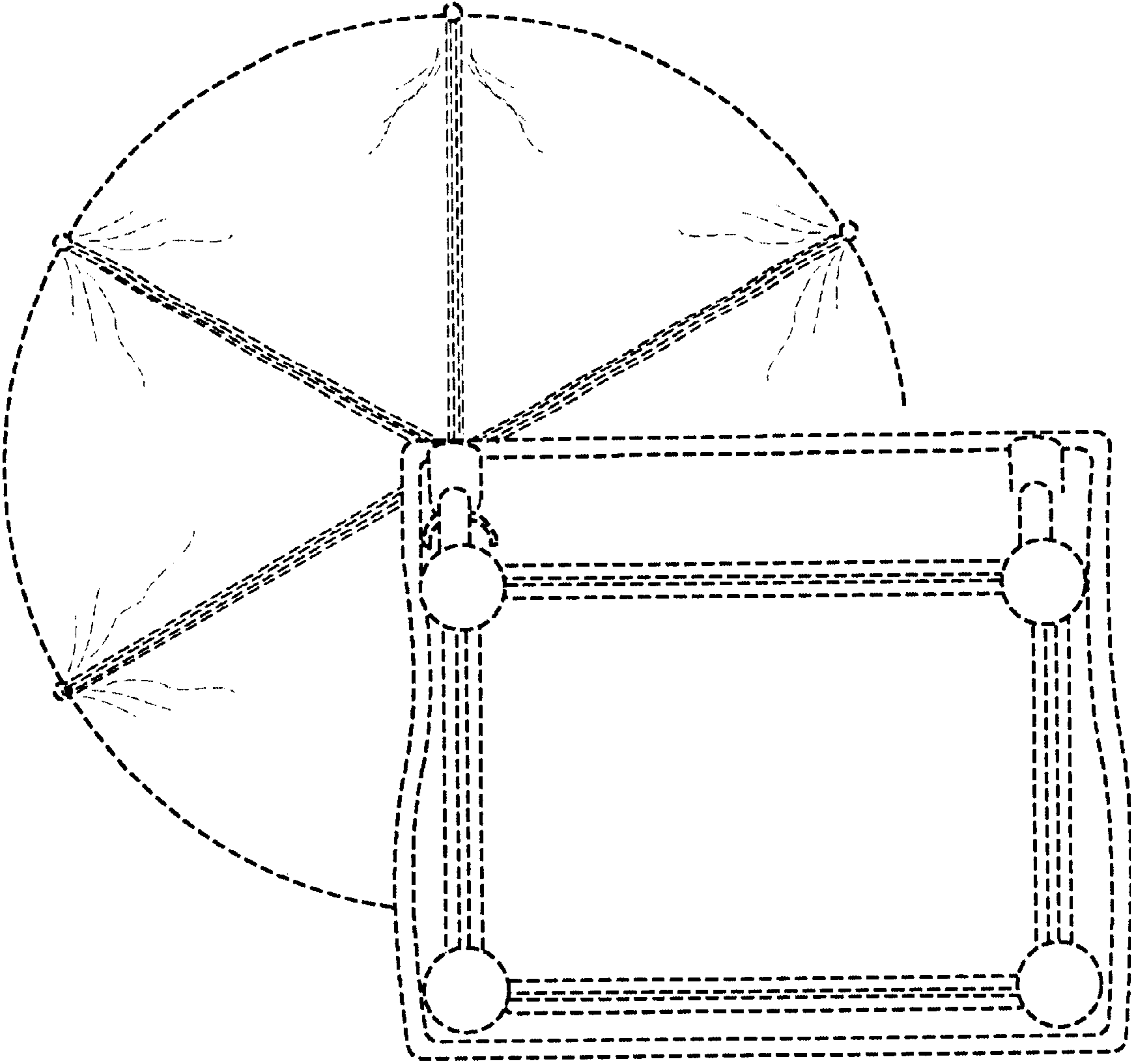


FIG. 6

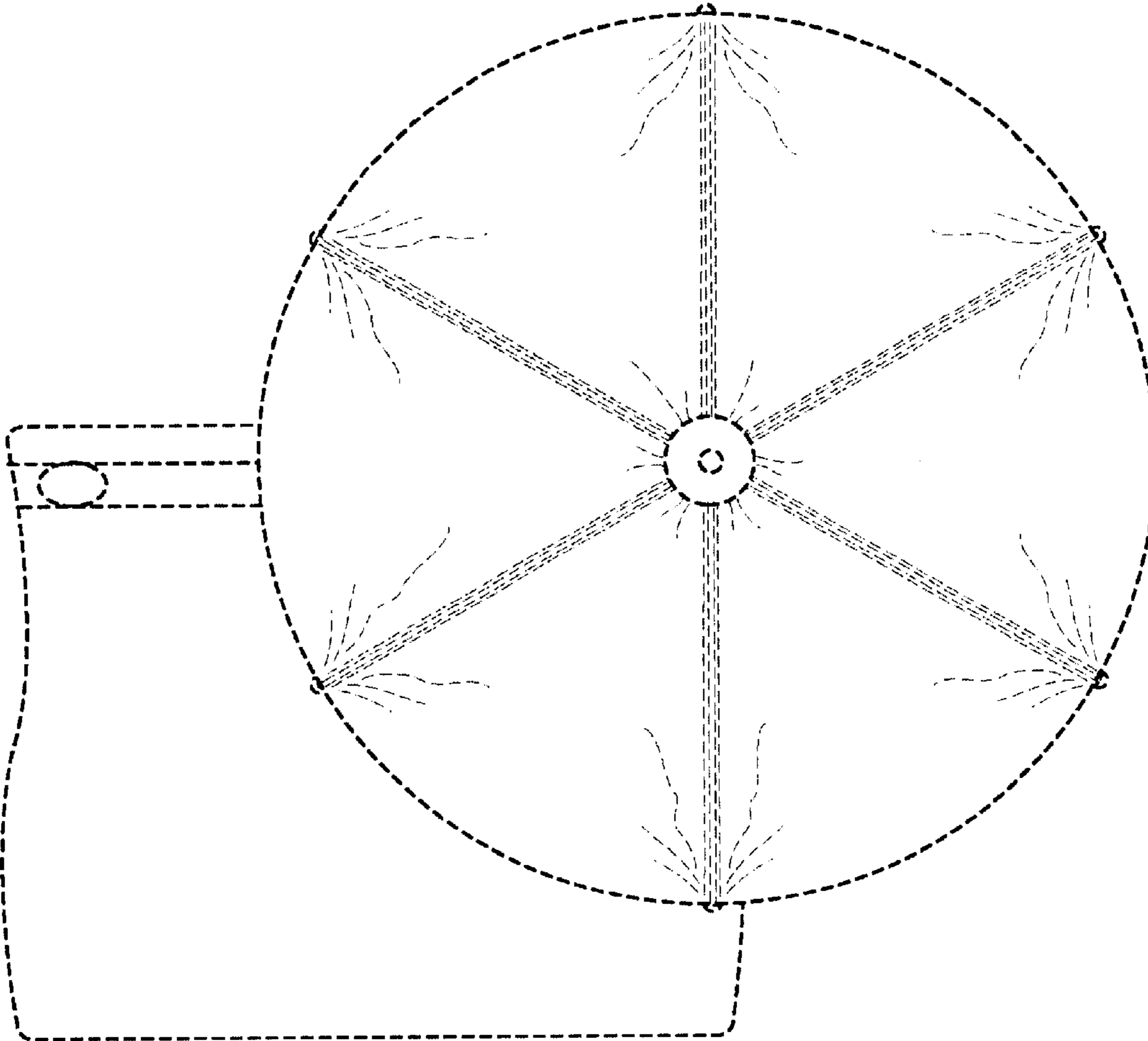


FIG. 7

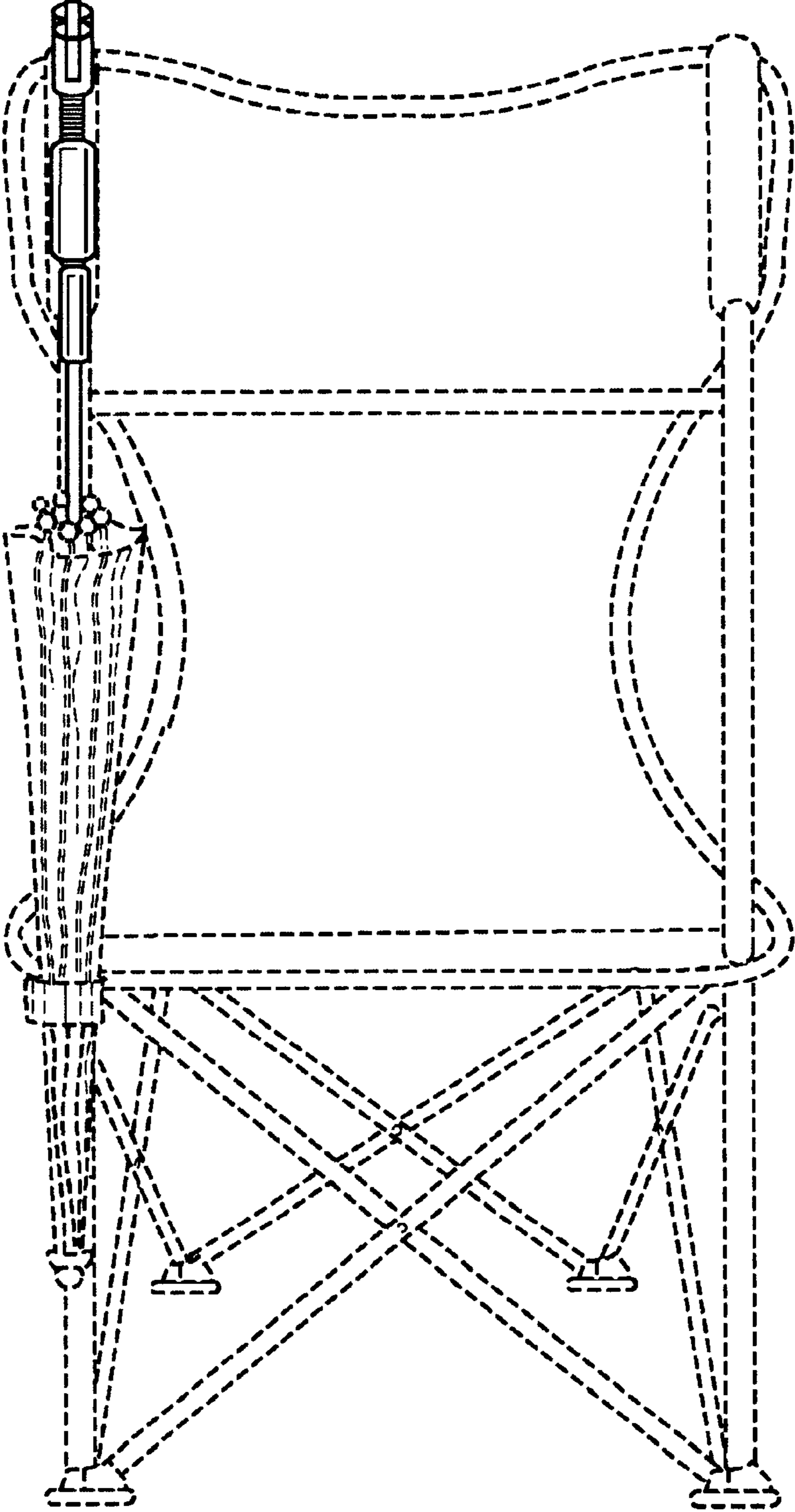


FIG. 8

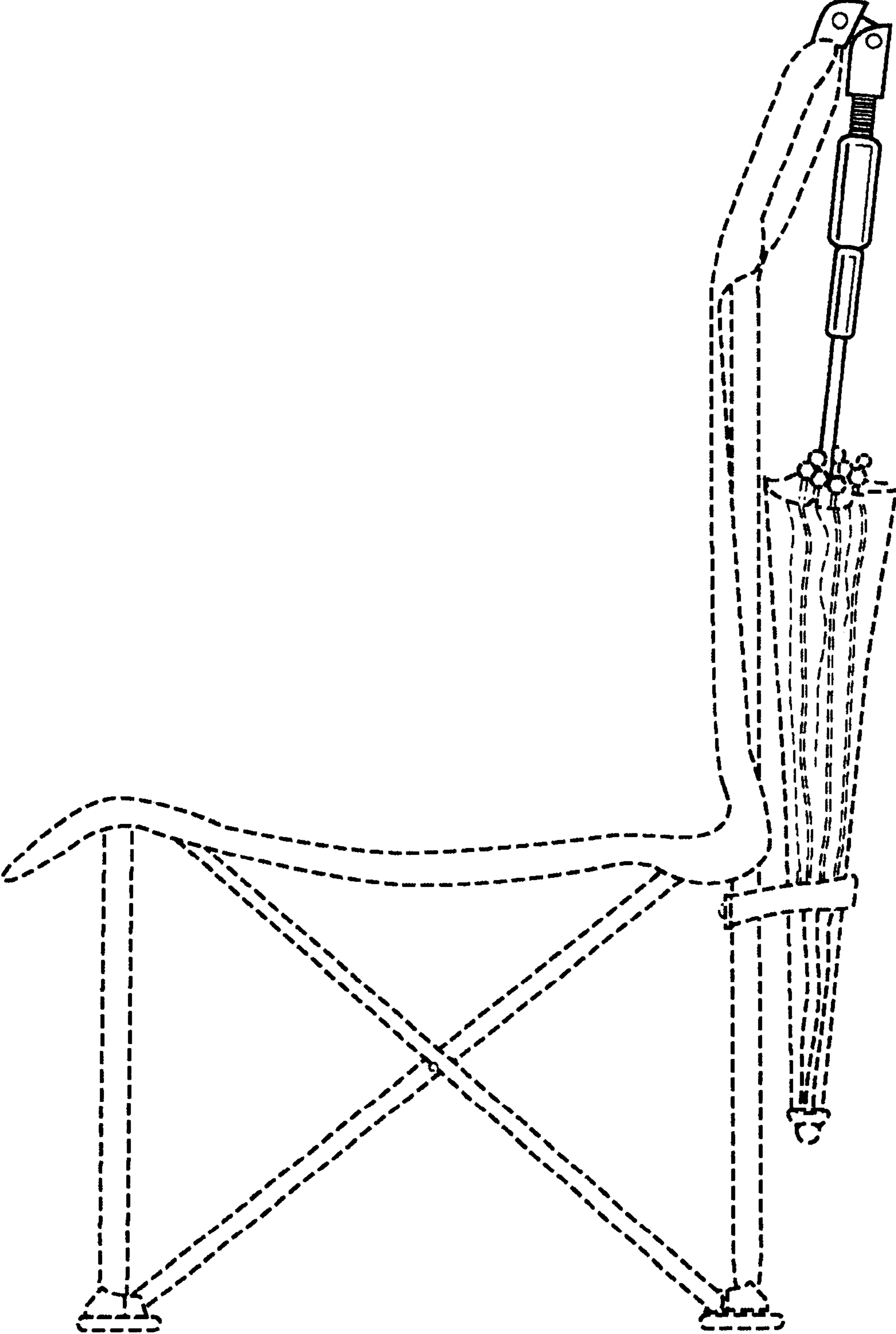


FIG. 9