



US00D516284S

(12) **United States Design Patent**
Andrews-Kramer

(10) **Patent No.:** **US D516,284 S**
(45) **Date of Patent:** **** Mar. 7, 2006**

(54) **BOOT**
(75) Inventor: **Holly Andrews-Kramer**, Menlo Park, CA (US)
(73) Assignee: **Ariat International, Inc.**, Union City, CA (US)
(**) Term: **14 Years**
(21) Appl. No.: **29/198,603**
(22) Filed: **Jan. 30, 2004**
(51) **LOC (8) Cl.** **02-04**
(52) **U.S. Cl.** **D2/970**
(58) **Field of Classification Search** D2/970, D2/902, 904, 905, 909, 912, 969; D21/760, D21/762, 763; 36/113, 115, 117.1
See application file for complete search history.

D78,811 S 6/1929 Griffiths
1,725,597 A 8/1929 Rogers
D82,296 S 10/1930 Van Dinter
D119,396 S 3/1940 Parker
D123,668 S 11/1940 Donner
D128,422 S 7/1941 McGillicuddy
D133,638 S 9/1942 Arnoff
2,345,057 A 3/1944 Marinetti
D154,007 S 5/1949 Watkins et al.
3,059,352 A 10/1962 Clason
3,218,737 A 11/1965 Burtoff
3,350,796 A 11/1967 Bealle
3,545,107 A 12/1970 Cinquegrana et al.
D240,972 S 8/1976 Adams
D269,049 S 5/1983 De Bertoldi
D296,037 S * 6/1988 Brown et al. D2/970
D328,814 S * 8/1992 Tonkel et al. D2/970
D329,734 S * 9/1992 Preskar et al. D2/970
D331,826 S 12/1992 Challant
D333,033 S * 2/1993 Bailey D2/970
D341,476 S 11/1993 Duclos
D355,069 S * 2/1995 Aveni D2/970

(56) **References Cited**

U.S. PATENT DOCUMENTS

83,017 A 10/1868 Babbitt
93,814 A 8/1869 Ferguson
D10,959 S 12/1878 Kenz et al.
267,745 A 11/1882 Farrar
357,942 A 2/1887 Russell
509,241 A 11/1893 Packard
D24,721 S 10/1895 Richardson et al.
D27,025 S 5/1897 Bohr
660,284 A 10/1900 Webber
D33,932 S 1/1901 Rich
776,066 A 11/1904 Jenney
868,135 A 10/1907 Schwarzschild
D42,212 S 2/1912 Nemes
1,457,402 A 6/1923 Smith
D67,254 S 5/1925 Abbott
1,601,278 A 9/1926 Williams
1,613,131 A 1/1927 Rohrbacher, Jr.
D73,044 S 7/1927 Lord
D73,139 S 7/1927 Martin
D73,597 S 10/1927 Blair
D74,583 S 2/1928 Valentine et al.
1,660,046 A 2/1928 Phillips

(Continued)

Primary Examiner—Dominic Simone
Assistant Examiner—Rashida C. McCoy
(74) *Attorney, Agent, or Firm*—Cooley Godward LLP

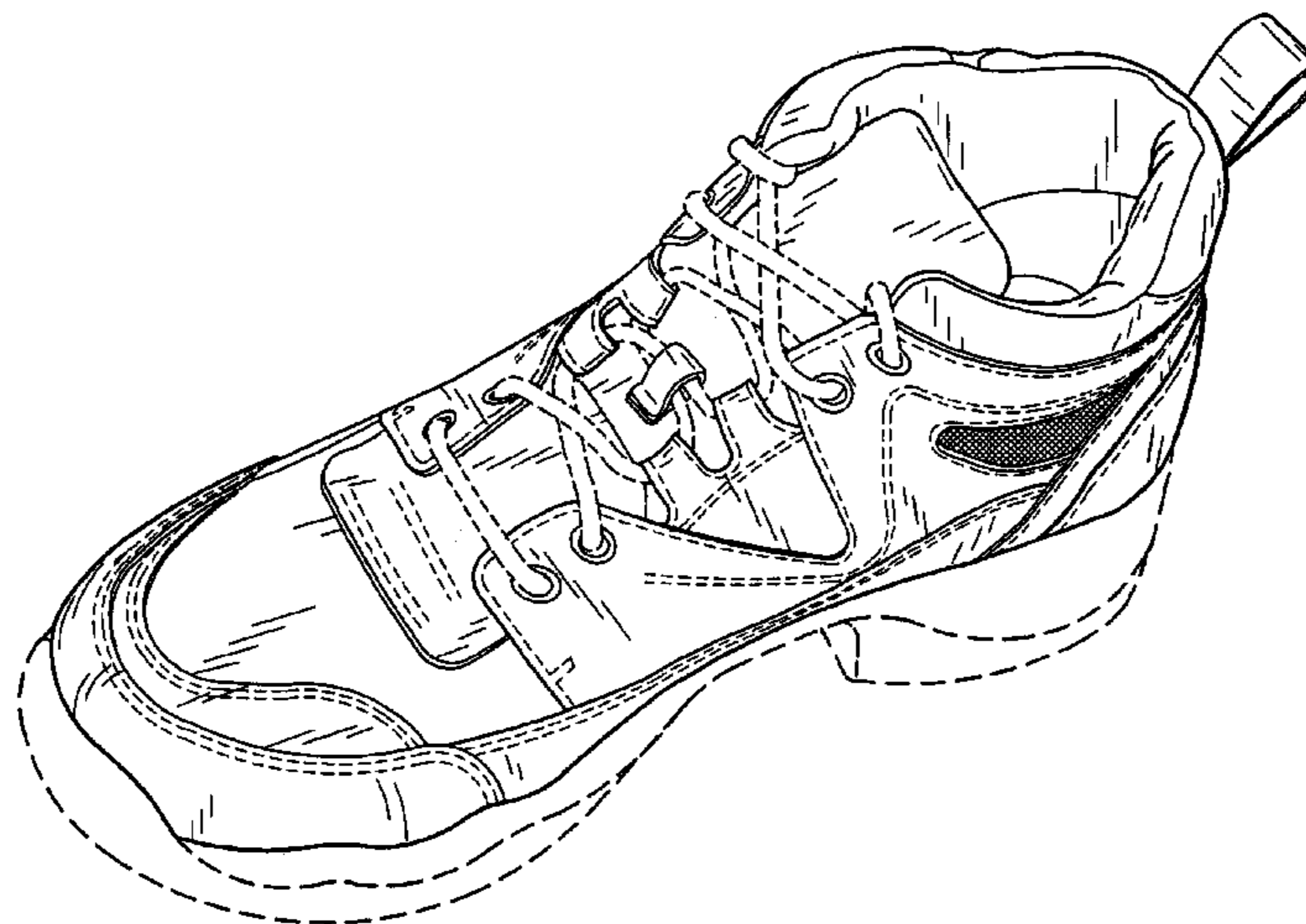
(57) **CLAIM**

The ornamental design for the boot, as shown and described.

DESCRIPTION

FIG. 1 is a perspective view of the boot showing a top, right, and front sides of the new design;
FIG. 2 is a front view of the boot of FIG. 1;
FIG. 3 is a right side view of the boot of FIG. 1;
FIG. 4 is a rear view of the boot of FIG. 1;
FIG. 5 is a left side view of the boot of FIG. 1;
FIG. 6 is a top view of the boot of FIG. 1; and,
FIG. 7 is a bottom view of the boot of FIG. 1.
The broken lines are for illustrative purposes only and form no part of the claimed design.

1 Claim, 4 Drawing Sheets



US D516,284 S

Page 2

U.S. PATENT DOCUMENTS

D356,208 S	3/1995	Parker	
D358,930 S	* 6/1995	Blanchini D2/970
D362,953 S	* 10/1995	Greene D2/970
D365,434 S	12/1995	Parker	
D365,435 S	12/1995	Parker	
D365,436 S	12/1995	Parker	
D369,016 S	4/1996	Parker	
D374,763 S	* 10/1996	Von Conta D2/970
D384,492 S	10/1997	Parker	
D398,438 S	9/1998	DeBaere	
D399,039 S	10/1998	Toschi	
D404,190 S	1/1999	Toschi	
D440,387 S	* 4/2001	Matis et al. D2/970
D499,232 S	* 12/2004	Sakai et al. D2/902

* cited by examiner

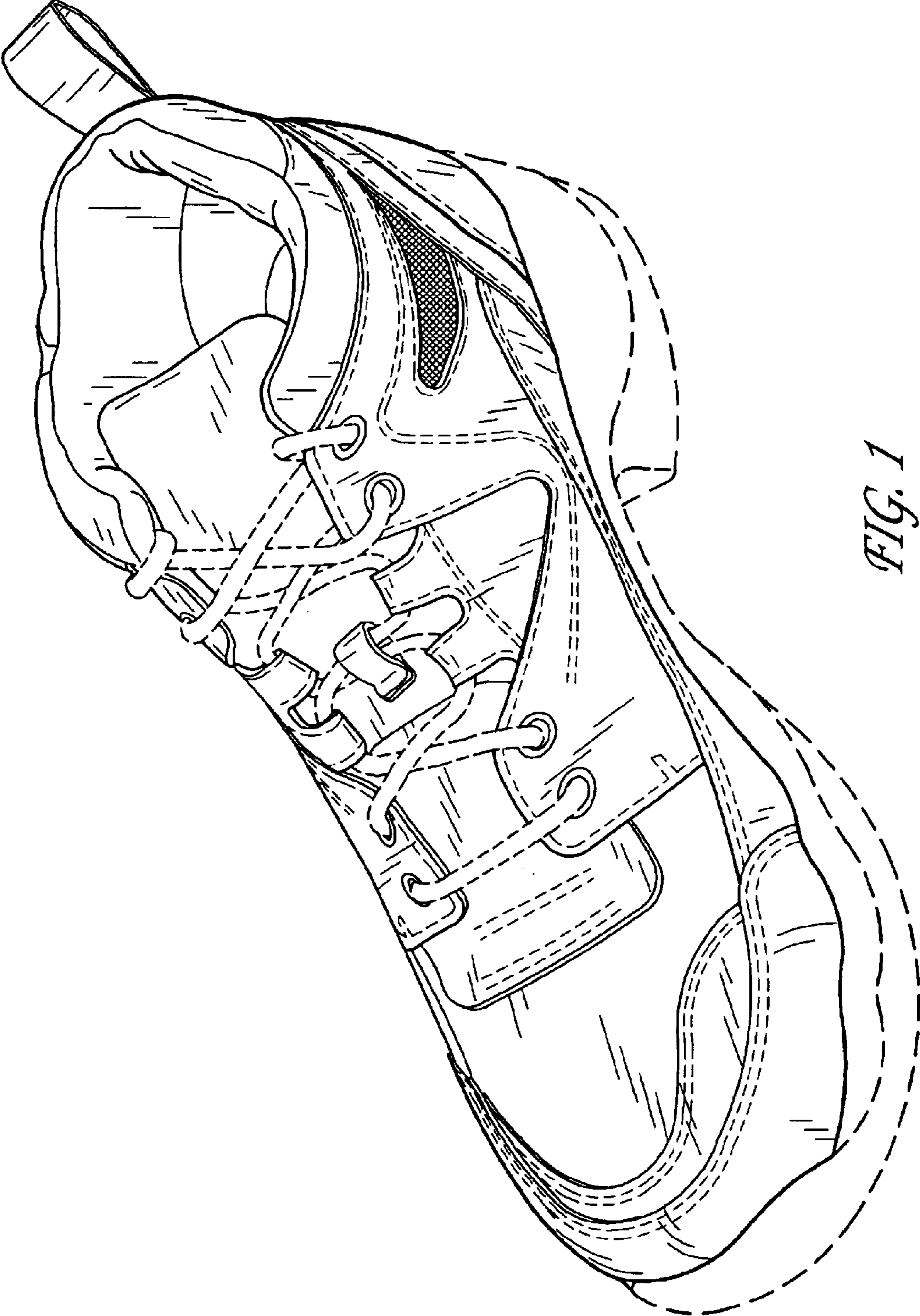
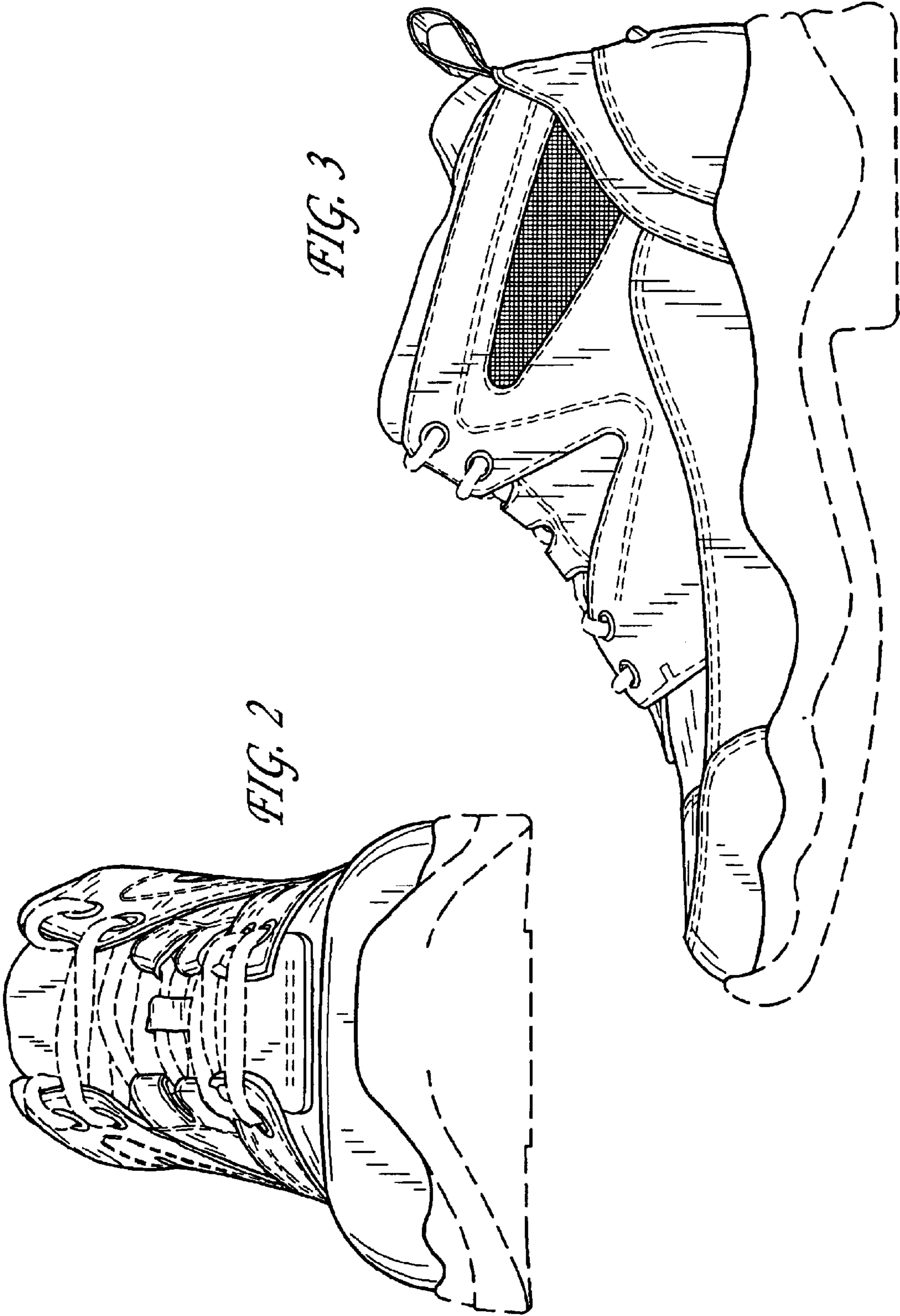


FIG. 1



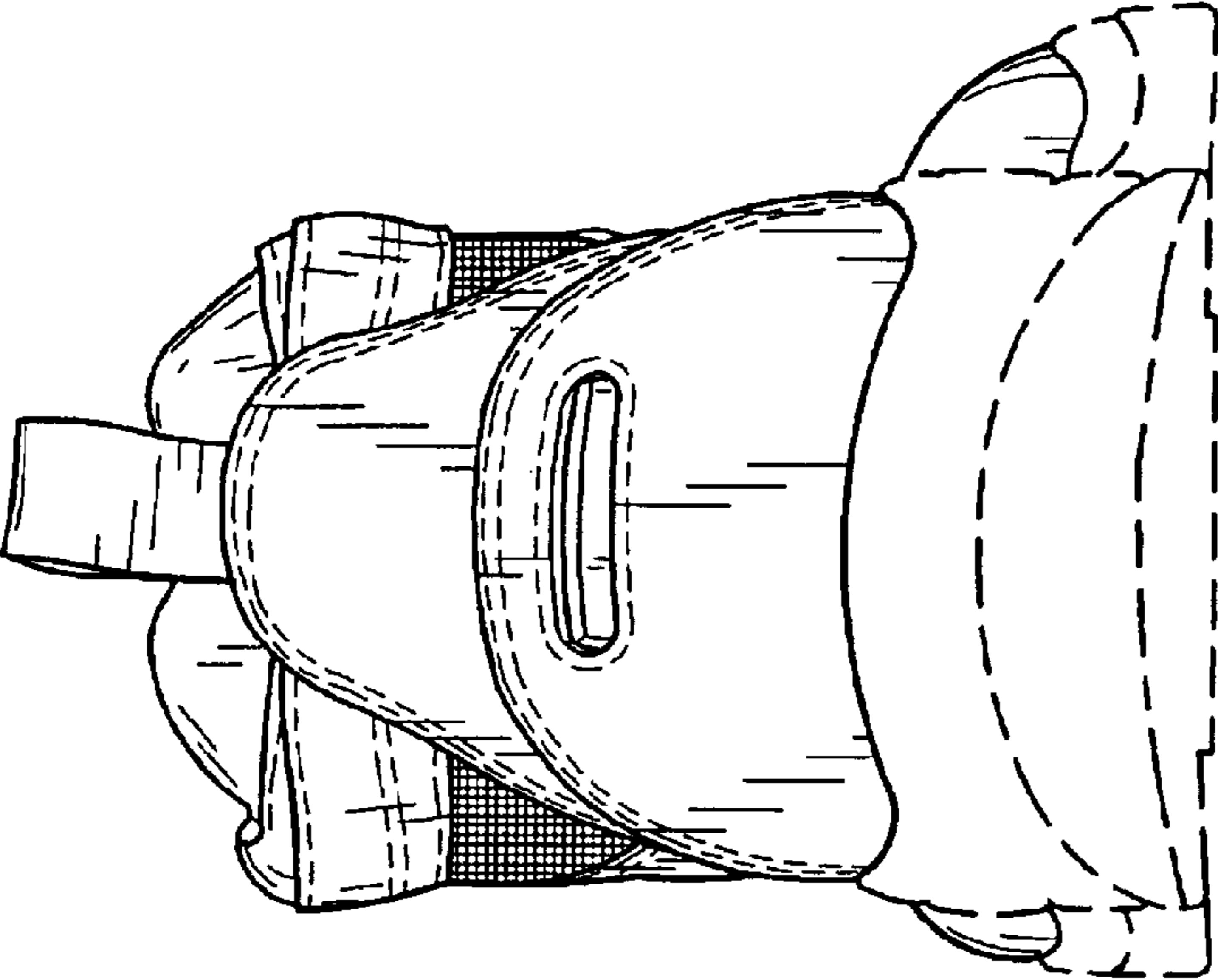


FIG. 4

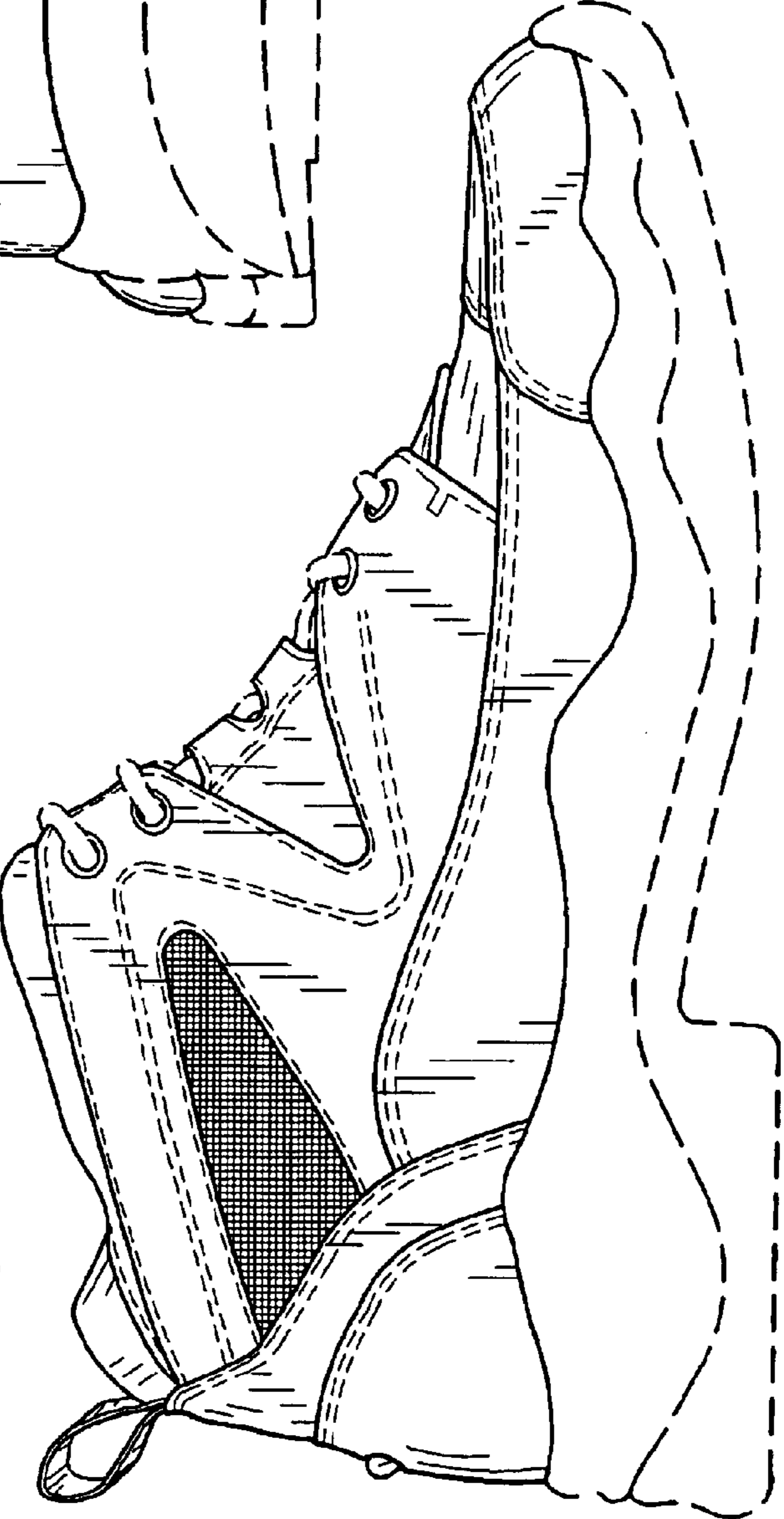


FIG. 5

FIG. 6

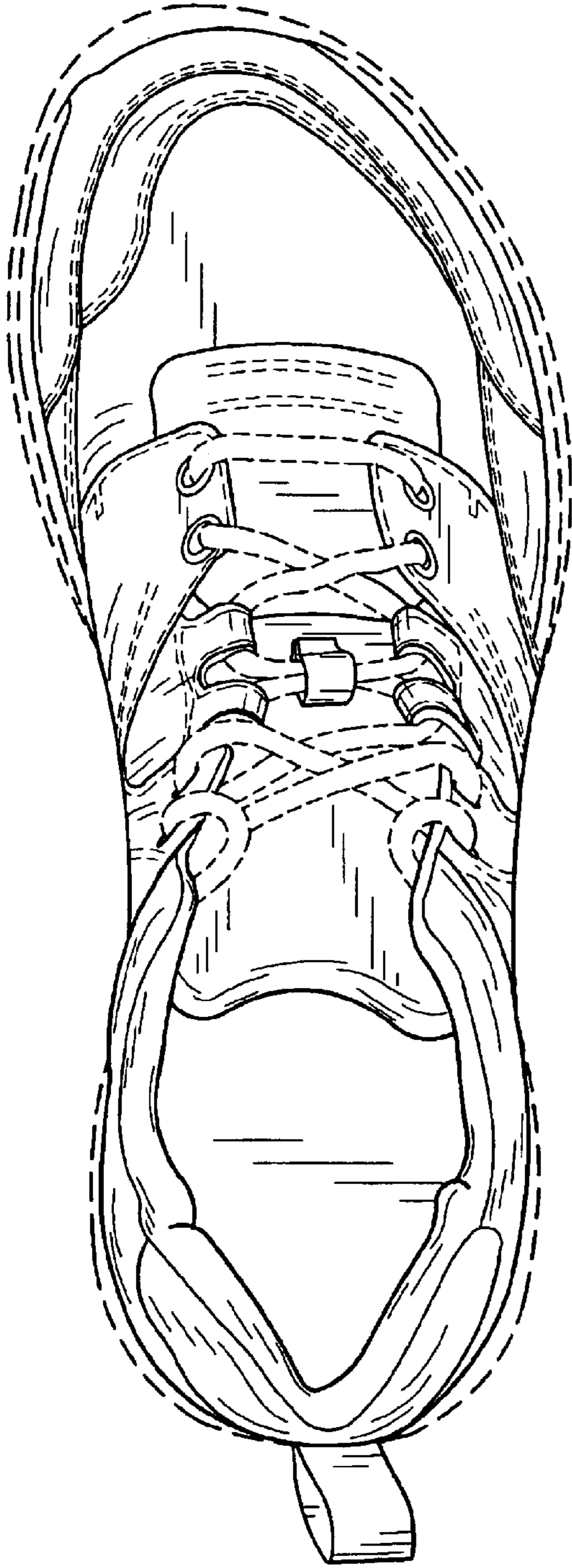


FIG. 7

