



US00D516267S

(12) **United States Design Patent**
Connaughton

(10) **Patent No.: US D516,267 S**

(45) **Date of Patent: ** Feb. 28, 2006**

(54) **FIFTH WHEEL LANDING JACK LEVELING DEVICE**

D447,309 S * 8/2001 Wilson D34/31
6,877,200 B2 * 4/2005 Villarreal

(75) Inventor: **Jason T. Connaughton**, Little Rock, AR (US)

* cited by examiner

Primary Examiner—Cynthia E. Ramirez

(73) Assignee: **Premier Technology, Inc.**, Little Rock, AR (US)

(74) *Attorney, Agent, or Firm*—Stephen D. Carver

(**) Term: **14 Years**

(57) **CLAIM**

The ornamental design for a fifth wheel landing jack leveling device, as shown and described.

(21) Appl. No.: **29/198,780**

DESCRIPTION

(22) Filed: **Feb. 5, 2004**

(51) **LOC (8) Cl.** **12-05**

(52) **U.S. Cl.** **D34/31**

(58) **Field of Classification Search** D34/28,
D34/31, 32, 35; 254/126, 2 R, 93 H, 134,
254/420, DIG. 1, 423, 424

See application file for complete search history.

FIG. 1 is a top plan view of my fifth wheel landing jack leveling device, showing the new design;
FIG. 2 is a front elevational view thereof;
FIG. 3 is a right side elevational view thereof, the opposite side comprising a mirror image;
FIG. 4 is a bottom plan view thereof;
FIG. 5 is a left, frontal isometric view thereof;
FIG. 6 is a right, frontal isometric view thereof;
FIG. 7 is a bottom isometric view;
FIG. 8 is a rear isometric view, showing the leveling wedge in a moved position;
FIG. 9 is a bottom isometric view, showing the leveling wedge in a moved position;
FIG. 10 is a rear isometric view, showing the leveling wedge in a moved position; and,
FIG. 11 is a bottom rear isometric view, showing the leveling wedge in a moved position.

(56) **References Cited**

U.S. PATENT DOCUMENTS

2,927,769 A * 3/1960 Fantaci 254/1
D230,836 S * 3/1974 Powers D34/31
3,994,474 A * 11/1976 Finkbeiner 254/88
4,103,870 A * 8/1978 Murakami 254/88
D298,377 S * 11/1988 Murray, Jr. D34/31
D320,685 S * 10/1991 Huang D34/31
D334,452 S * 3/1993 Duncan D34/31
D347,503 S * 5/1994 Wallace et al. D34/32
6,086,099 A * 7/2000 Kingsbury 280/766.1

1 Claim, 11 Drawing Sheets

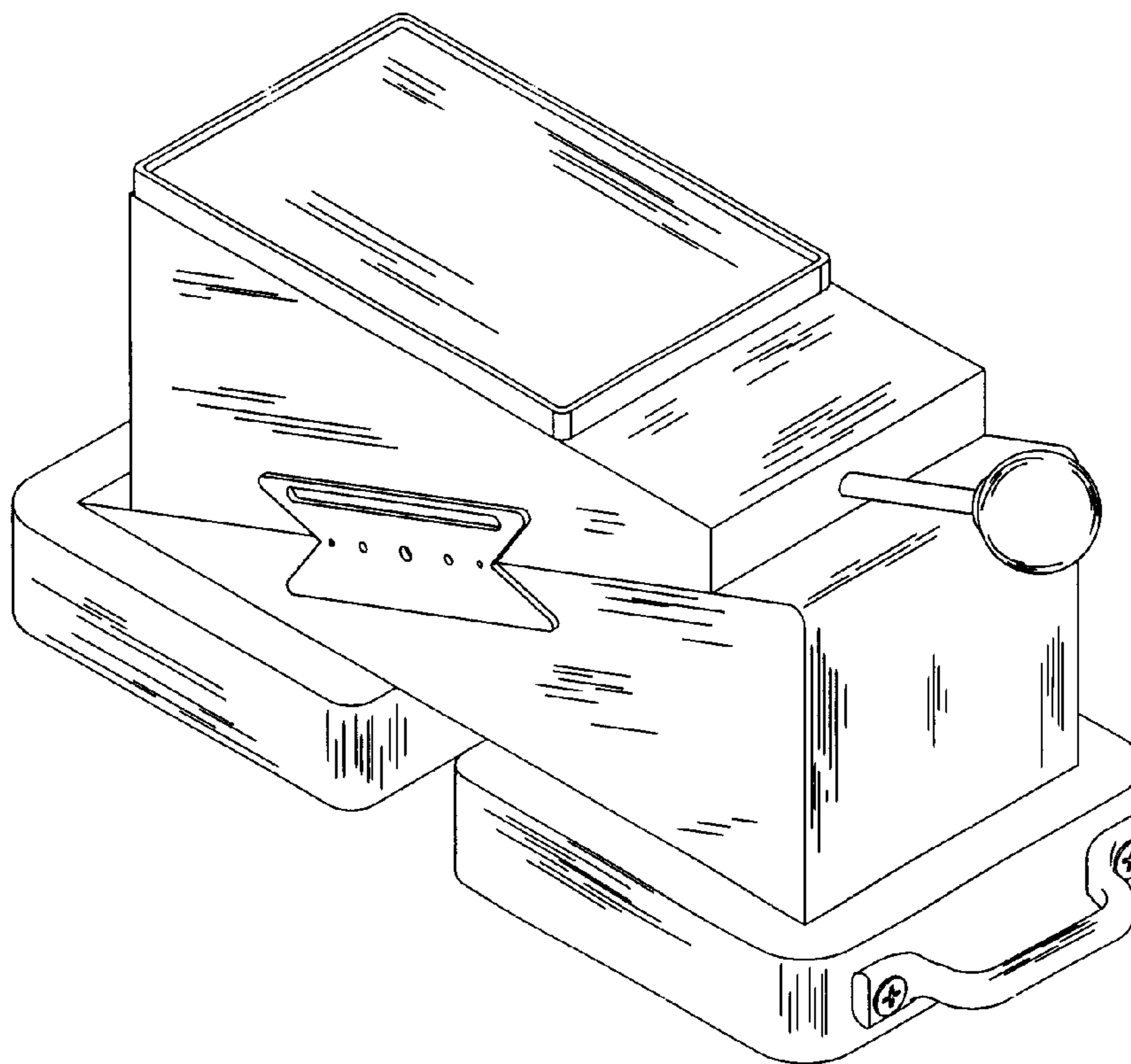


Fig. 1

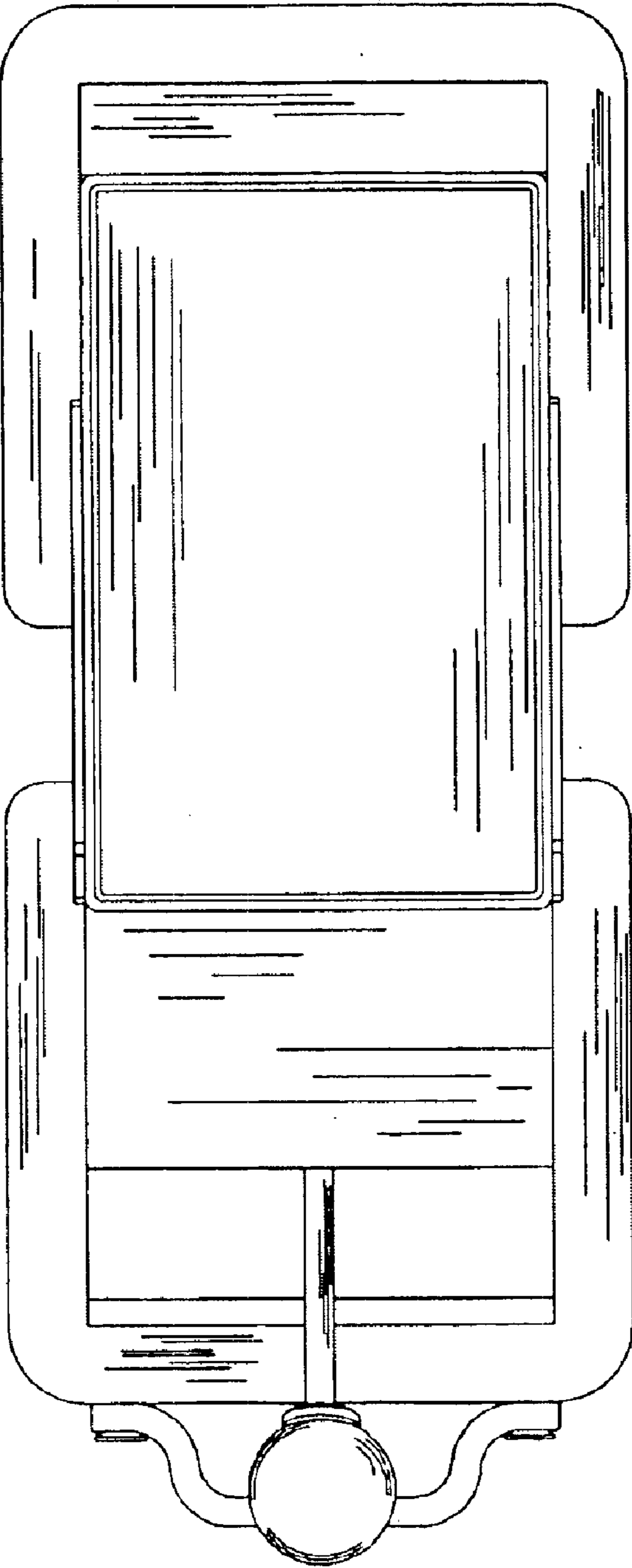


Fig. 2

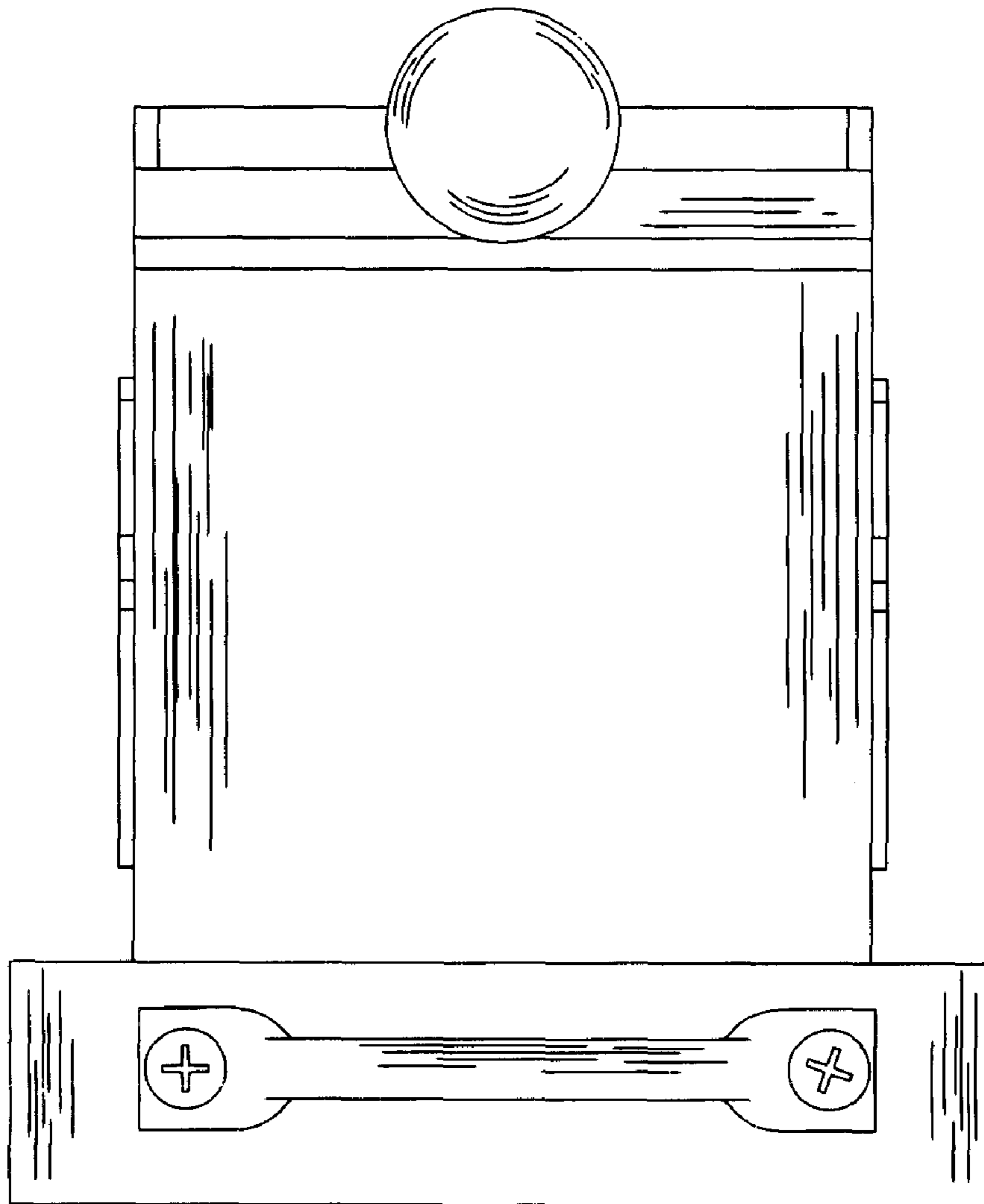


Fig. 3

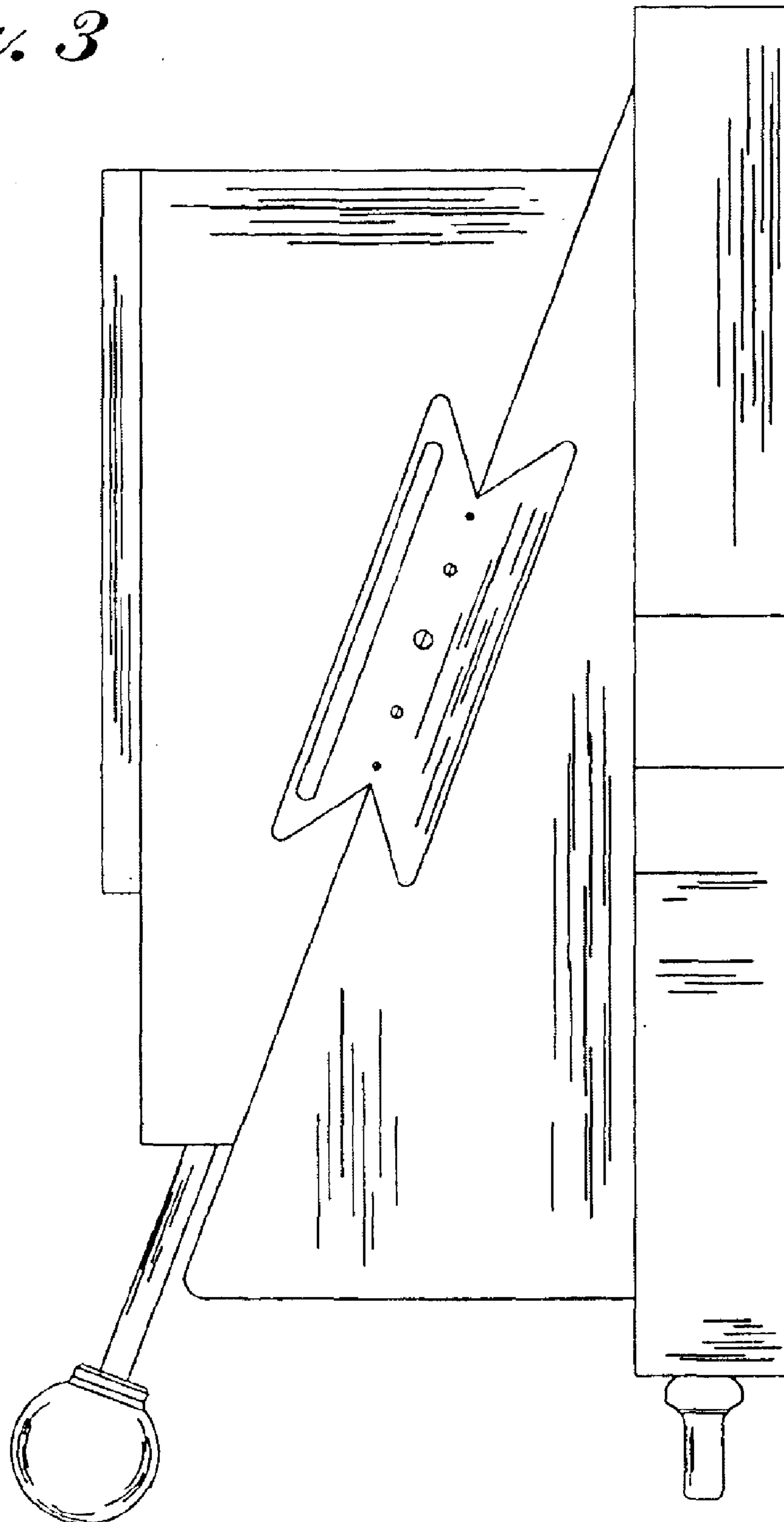


Fig. 4

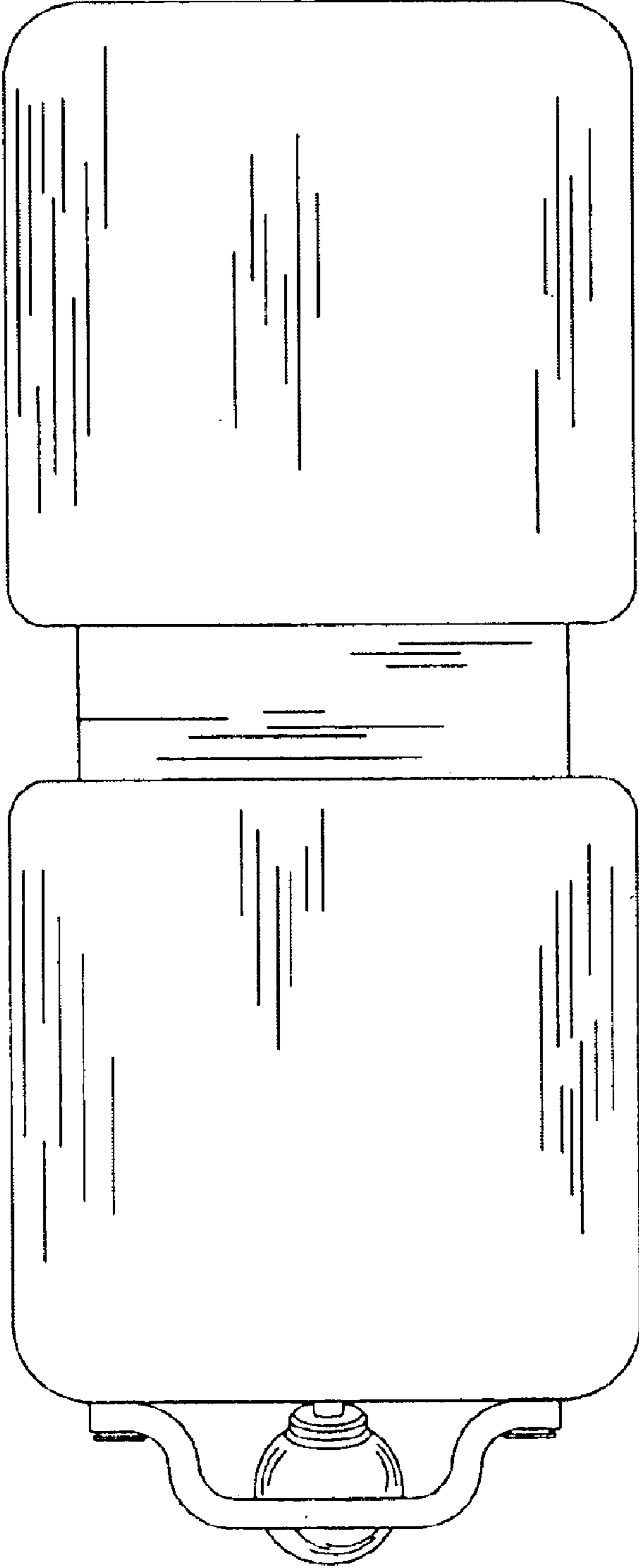


Fig. 5

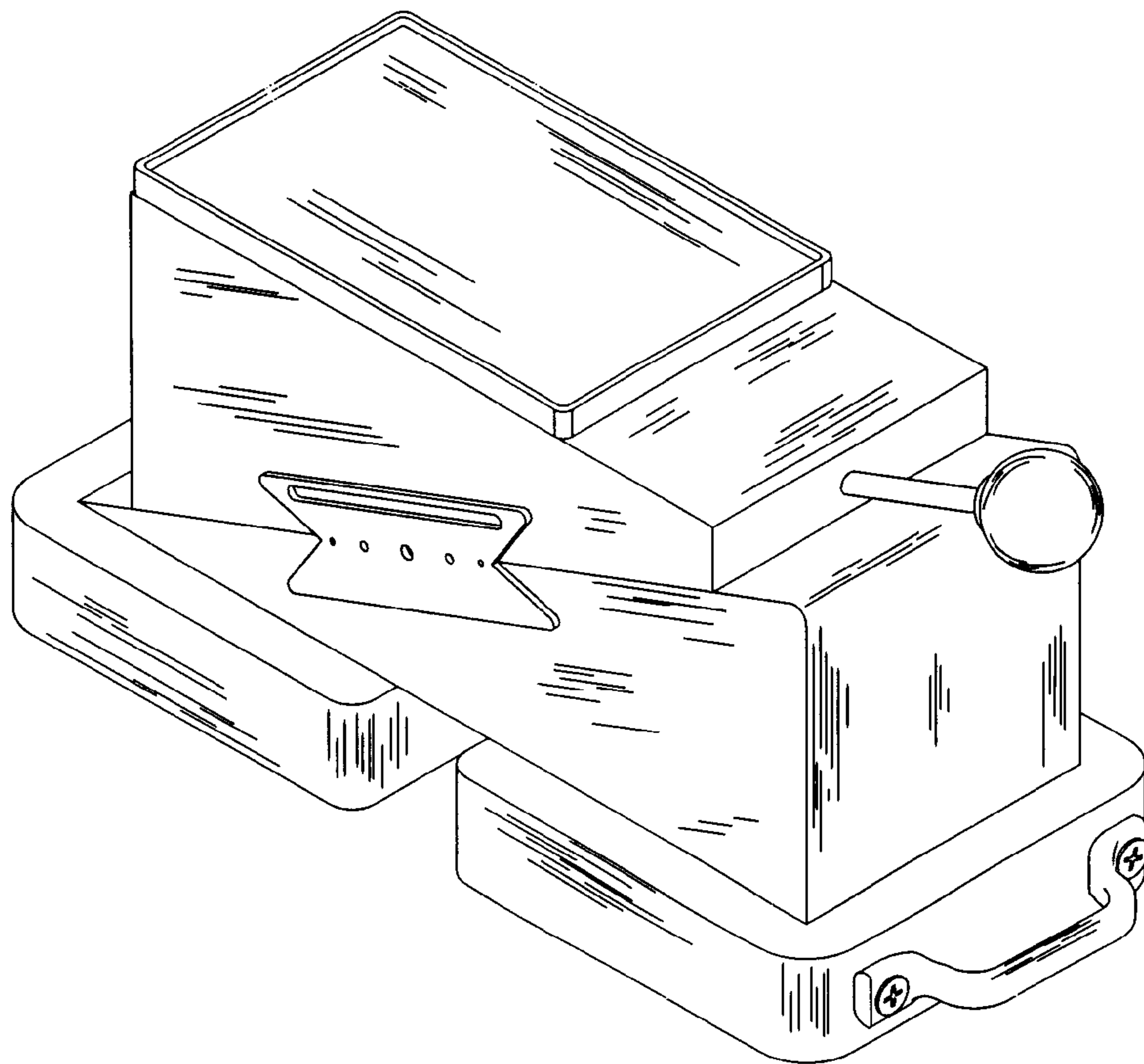


Fig. 6

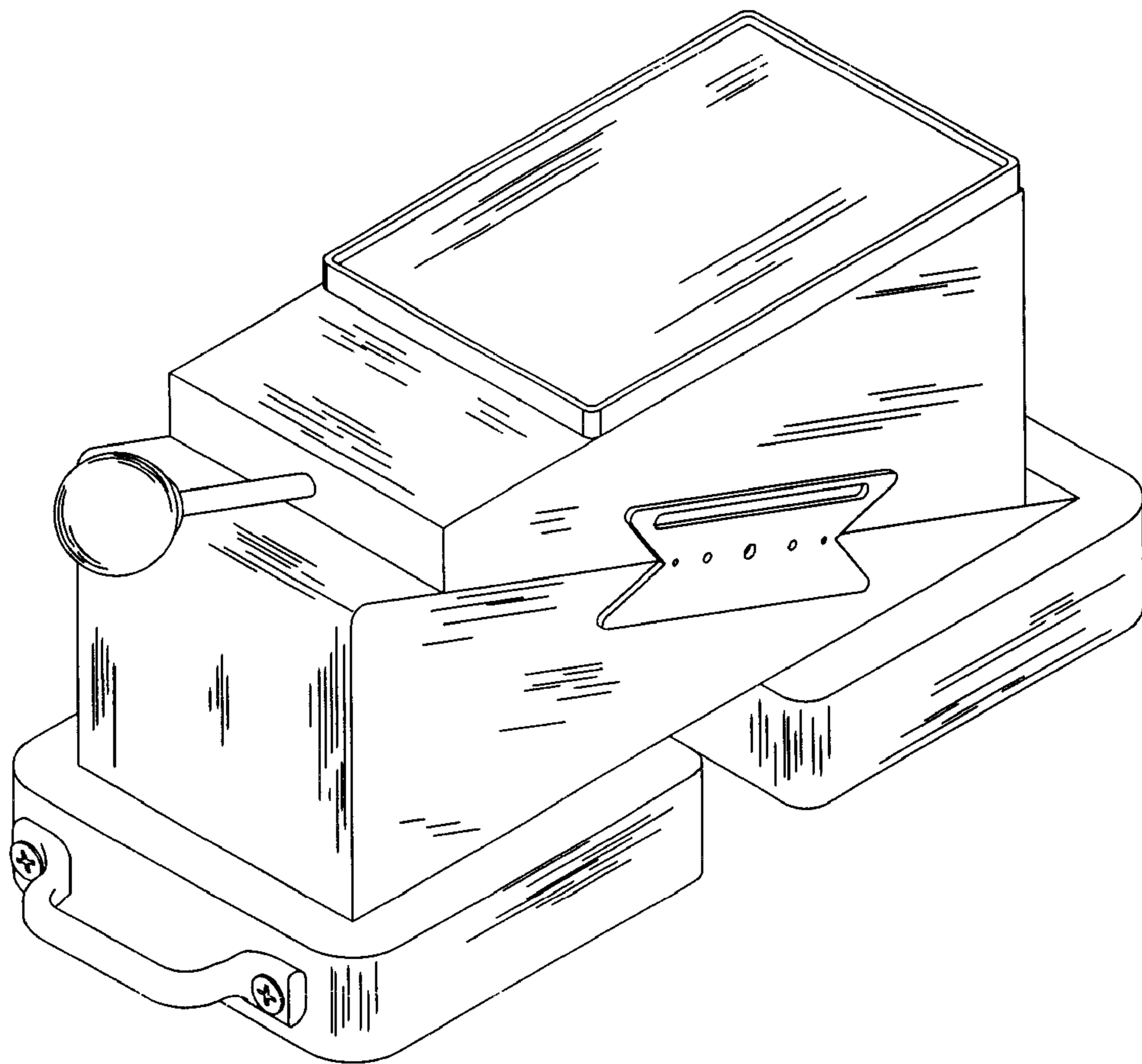


Fig. 7

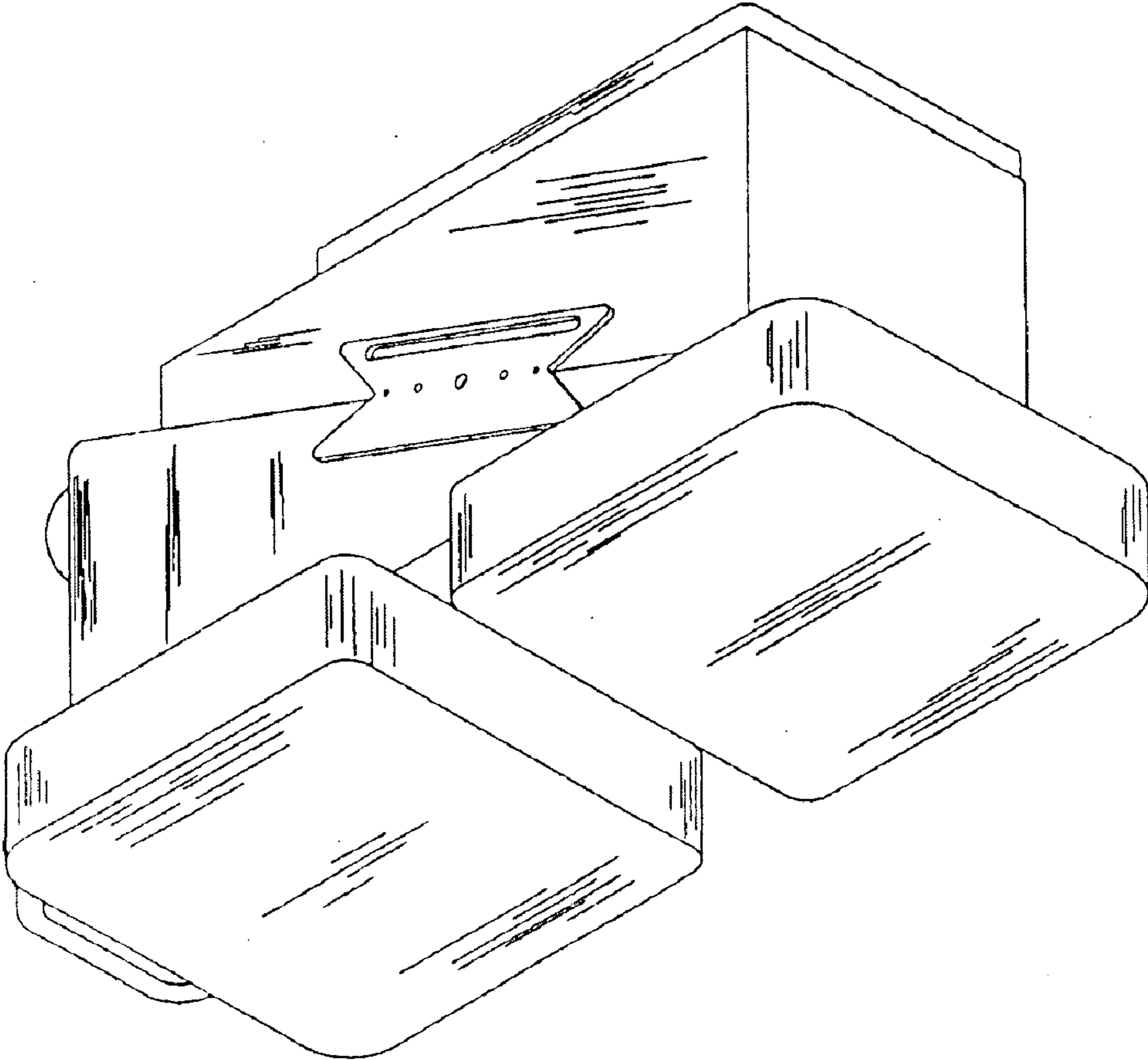


Fig. 8

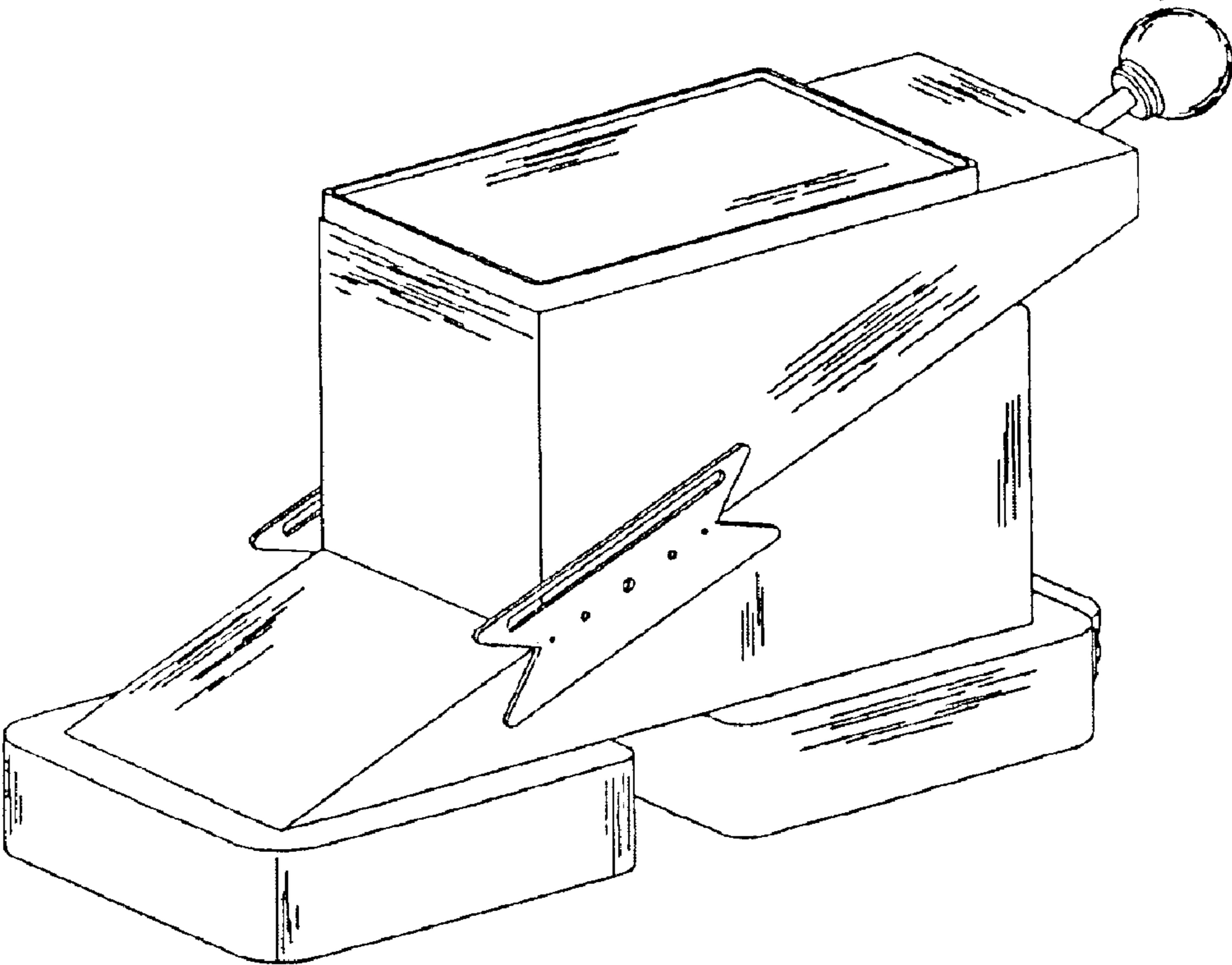


Fig. 9

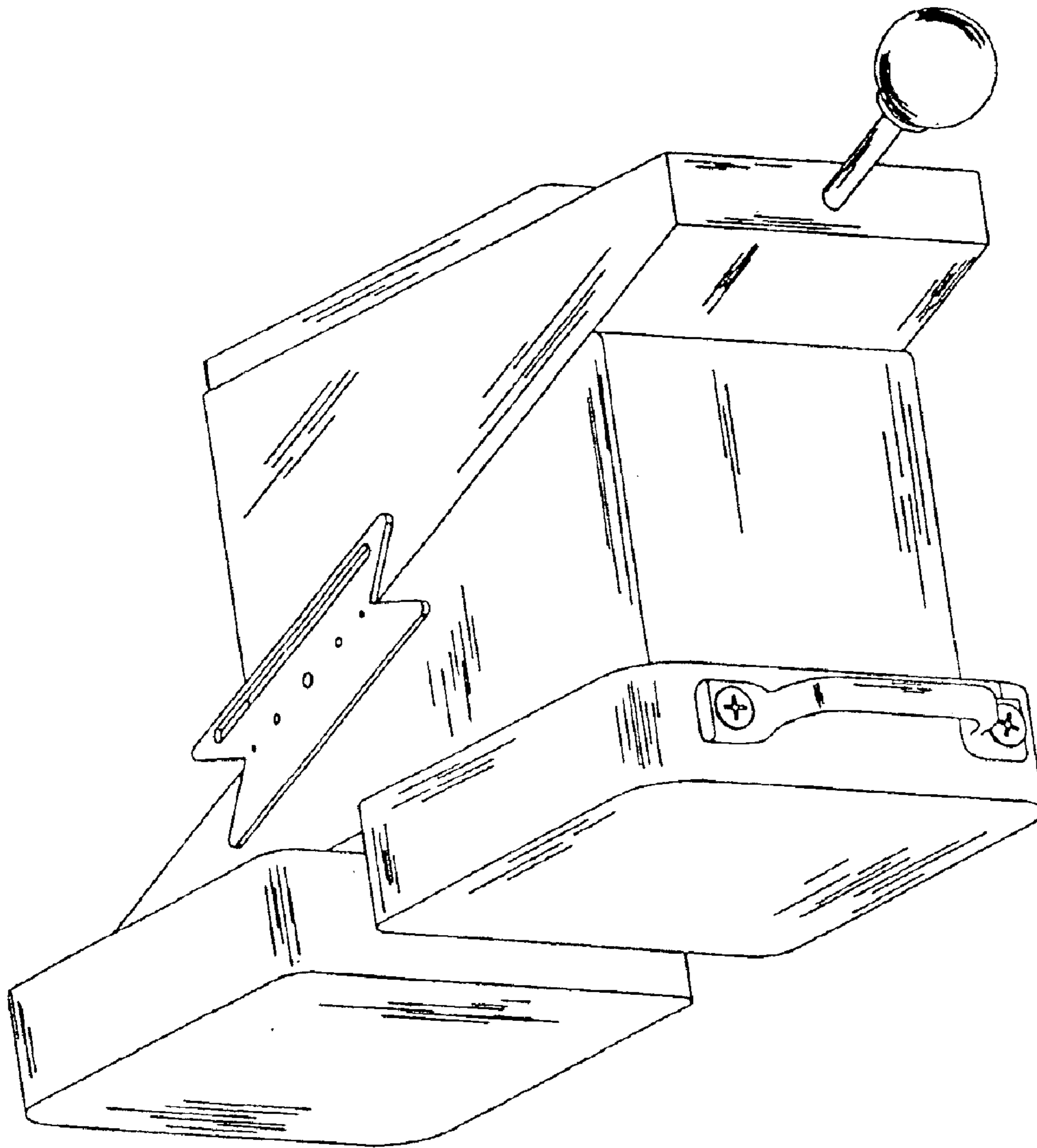


Fig. 10

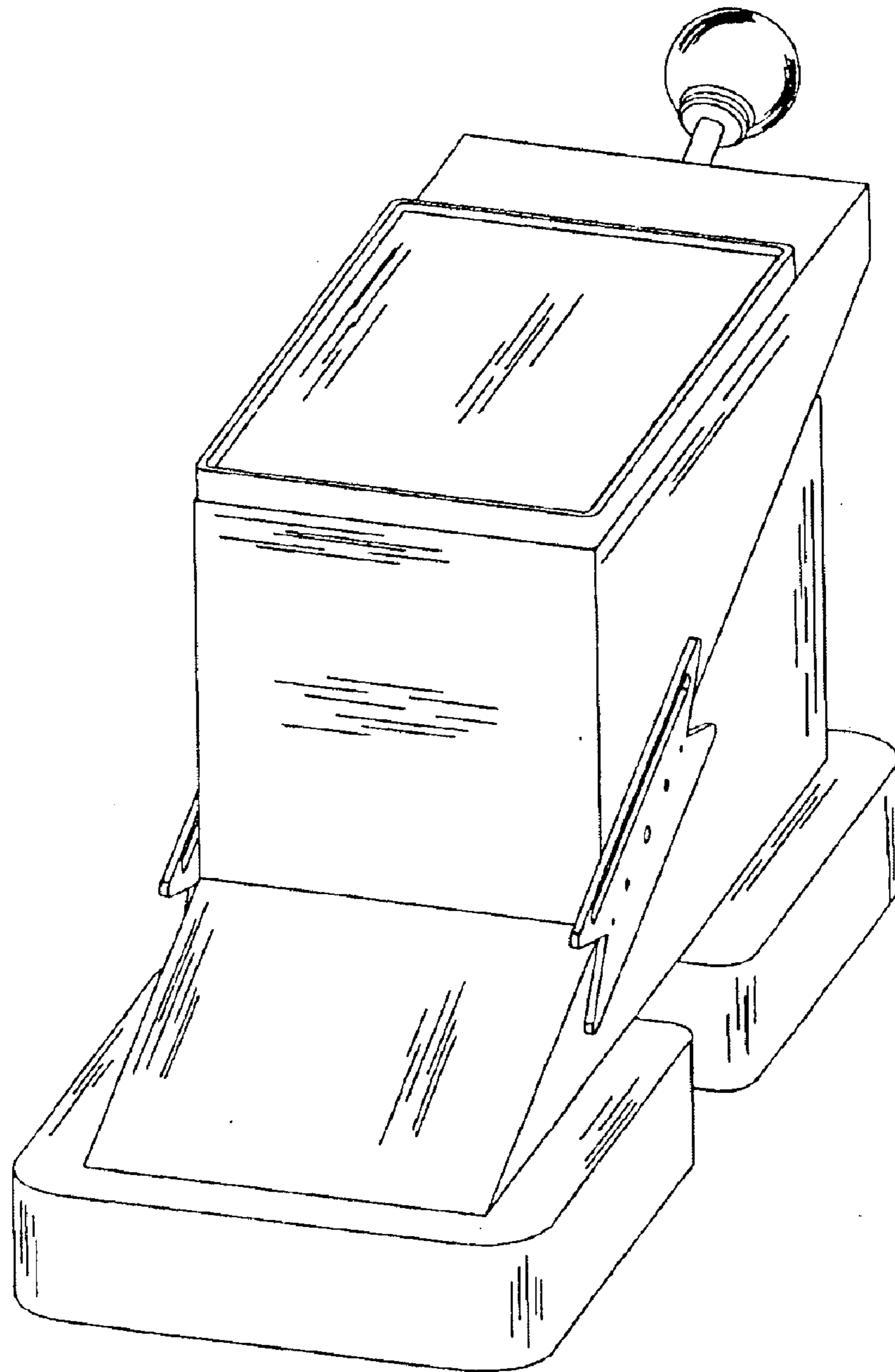


Fig. 11

