



US00D516265S

(12) **United States Design Patent**
Jarast

(10) **Patent No.: US D516,265 S**
(45) **Date of Patent: ** Feb. 28, 2006**

(54) **WHEELED CARRIER**
(75) Inventor: **Carlos Jarast**, Buenos Aires (AR)
(73) Assignee: **Prontowash, S.A.**, Elvira Mendez Edificio Villarino (PA)
(**) Term: **14 Years**

5,671,933 A * 9/1997 Tucker 280/47.19
D447,847 S * 9/2001 Shyshka et al. D34/21
D462,492 S * 9/2002 Neuhaus D34/4
D462,493 S * 9/2002 Sivells et al. D34/12
D463,644 S * 9/2002 Neuhaus D34/4
6,666,465 B2 * 12/2003 Chan 280/47.26
D492,458 S * 6/2004 Jarast D34/17
6,827,357 B2 * 12/2004 Calmeise et al. 280/47.34

* cited by examiner

(21) Appl. No.: **29/203,692**
(22) Filed: **Apr. 16, 2004**
(30) **Foreign Application Priority Data**

Primary Examiner—Cynthia E. Ramirez
(74) *Attorney, Agent, or Firm*—Sills Cummis Epstein & Gross; Barry J. Marenberg

Oct. 16, 2003 (EM) 71.497

(57) **CLAIM**

(51) **LOC (8) Cl.** **12-02**
(52) **U.S. Cl.** **D34/14; D34/18**
(58) **Field of Classification Search** D34/12-27, D34/5, 6, 7, 4; 224/400, 409; 280/47.34, 280/47.35, 79.2, 79.3; 220/810
See application file for complete search history.

The ornamental design for a wheeled carrier, as shown and described.

DESCRIPTION

(56) **References Cited**
U.S. PATENT DOCUMENTS

FIG. 1 is a front perspective view of the wheeled carrier; FIG. 2 is a rear perspective view of the wheeled carrier; FIG. 3 is a side elevational view of the wheeled carrier, the other side being a mirror image thereof; FIG. 4 is a rear elevational view of the wheeled carrier; and, FIG. 5 is a top plan view of the wheeled carrier.

808,739 A * 1/1906 Pocht 280/47.19
5,390,944 A * 2/1995 Sherwin 280/47.35

1 Claim, 2 Drawing Sheets

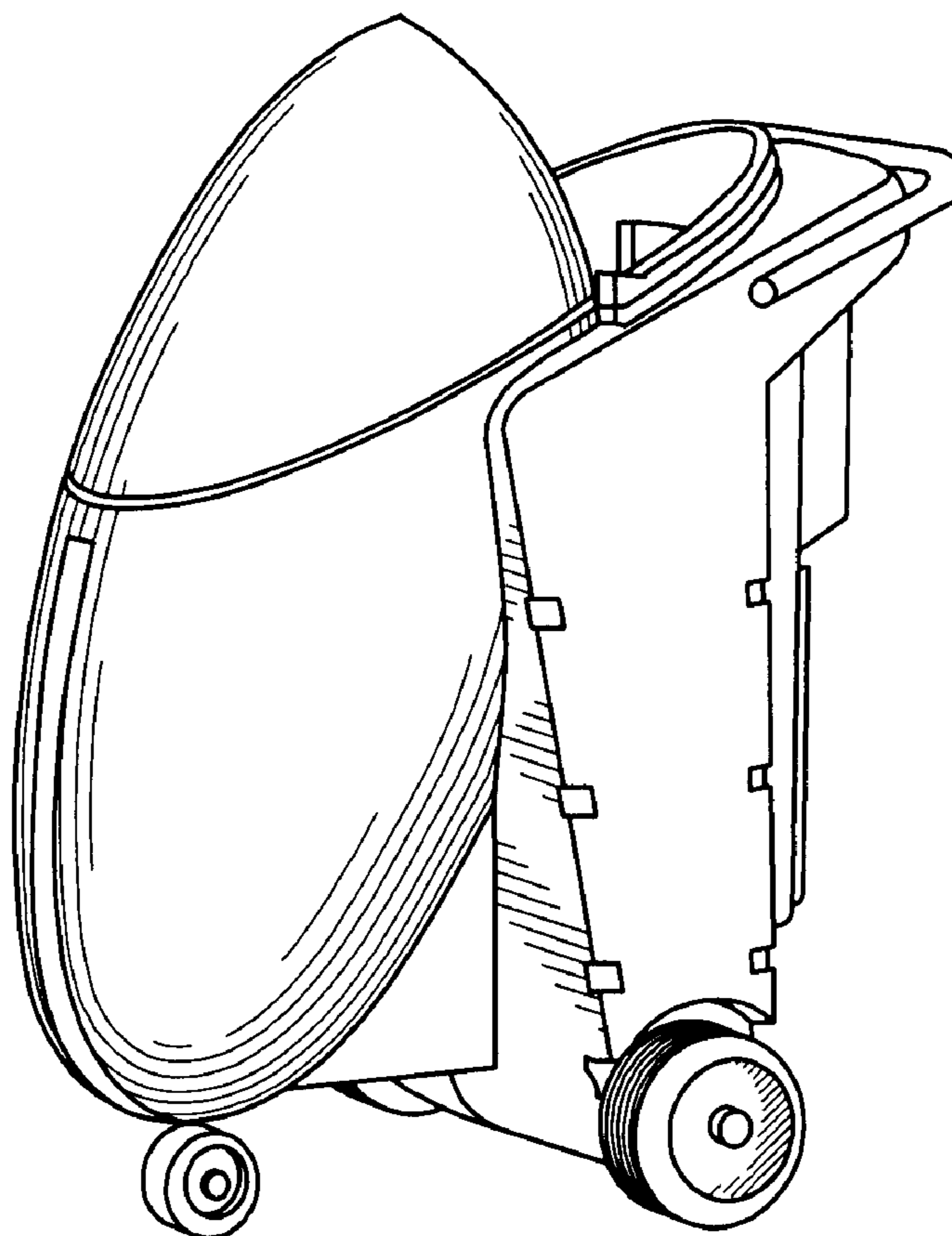


FIG. 1

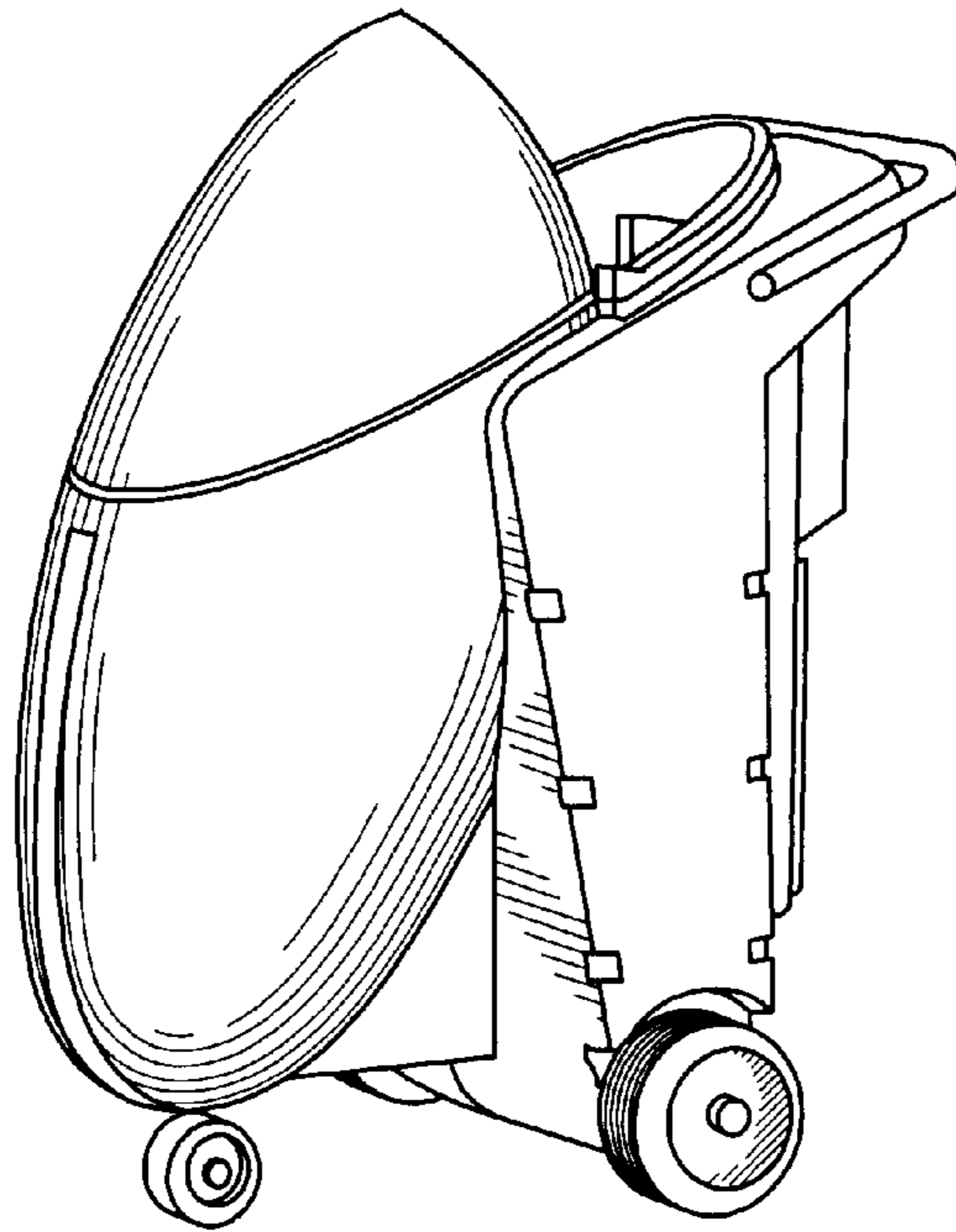


FIG. 2

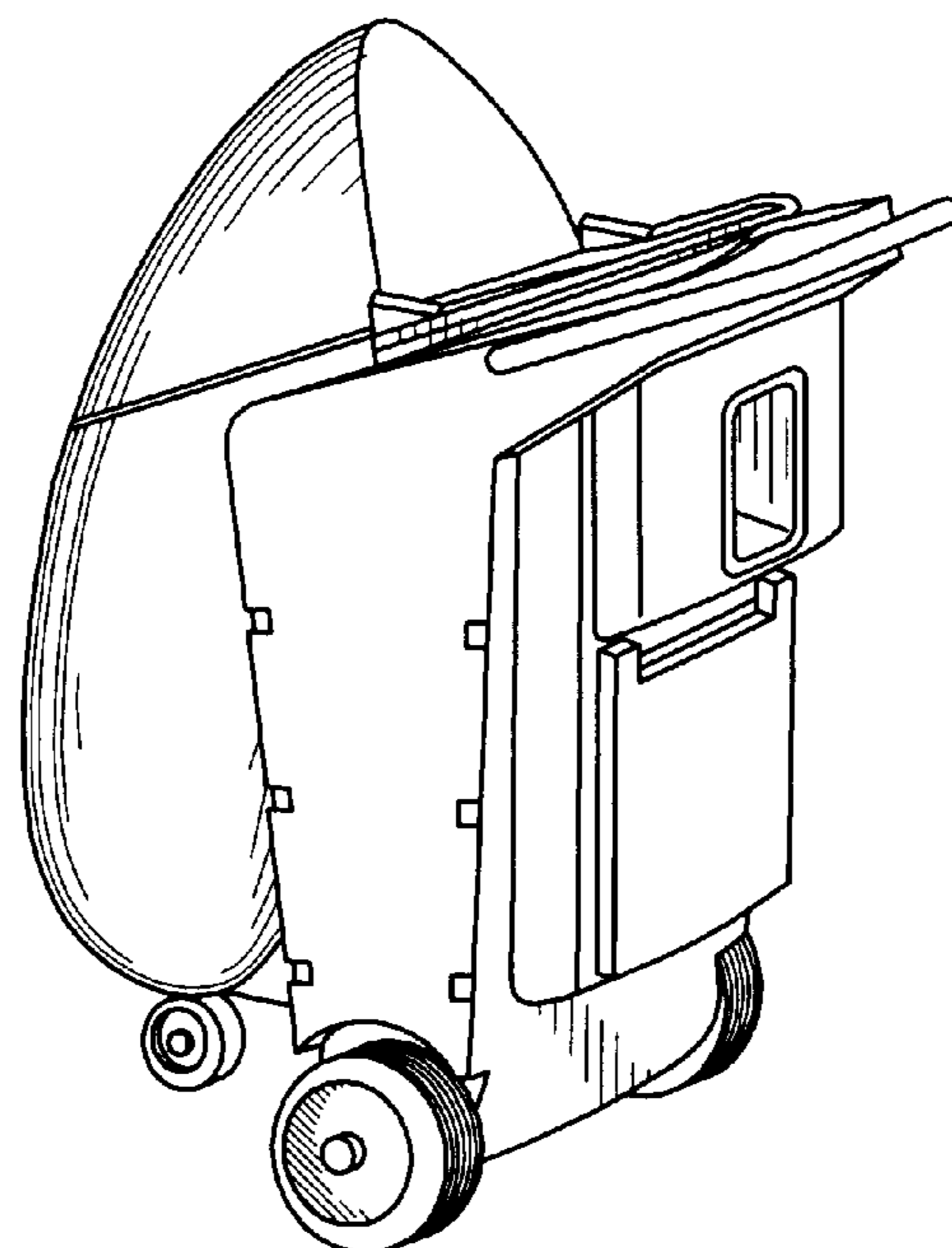


FIG. 3

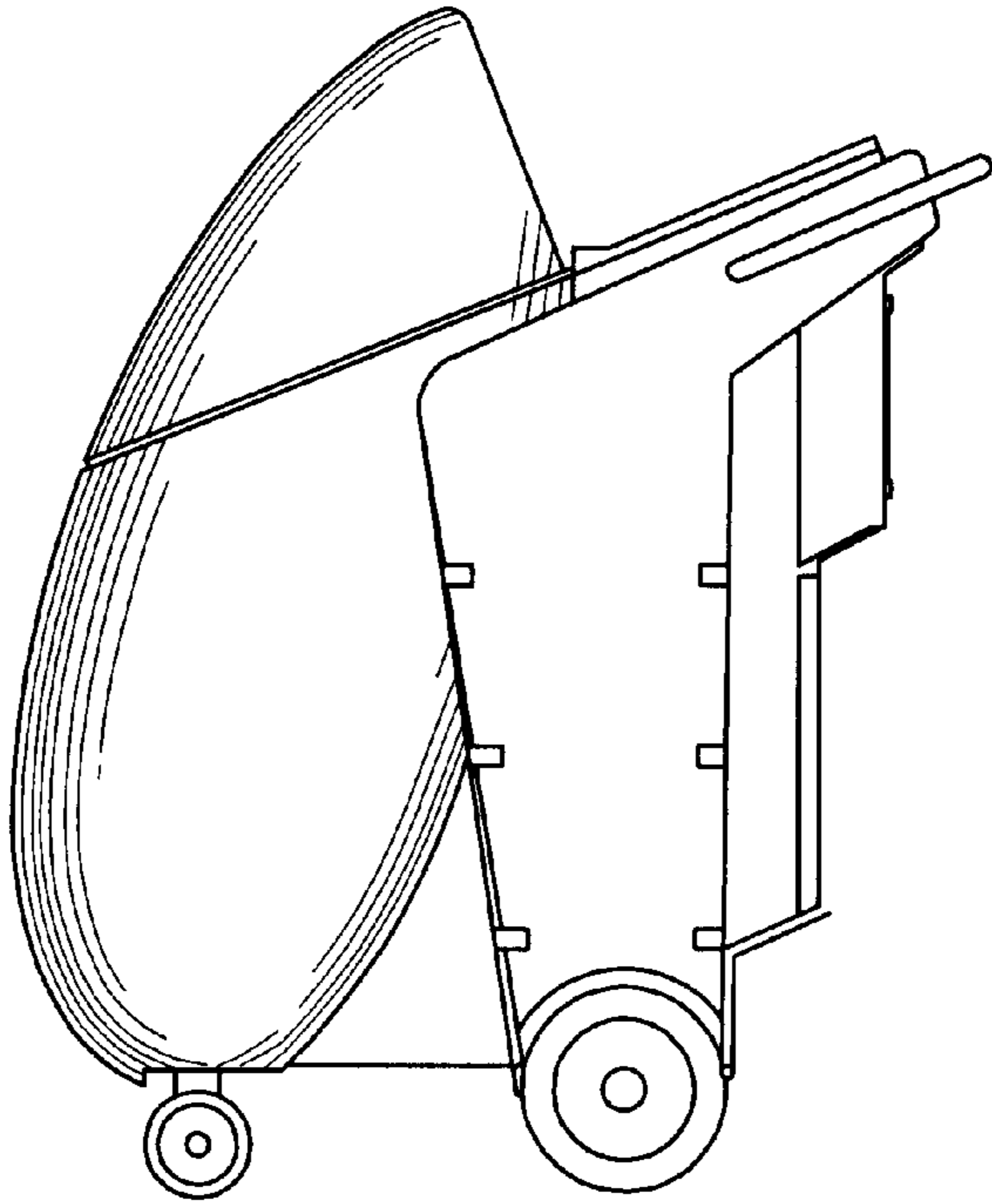


FIG. 4

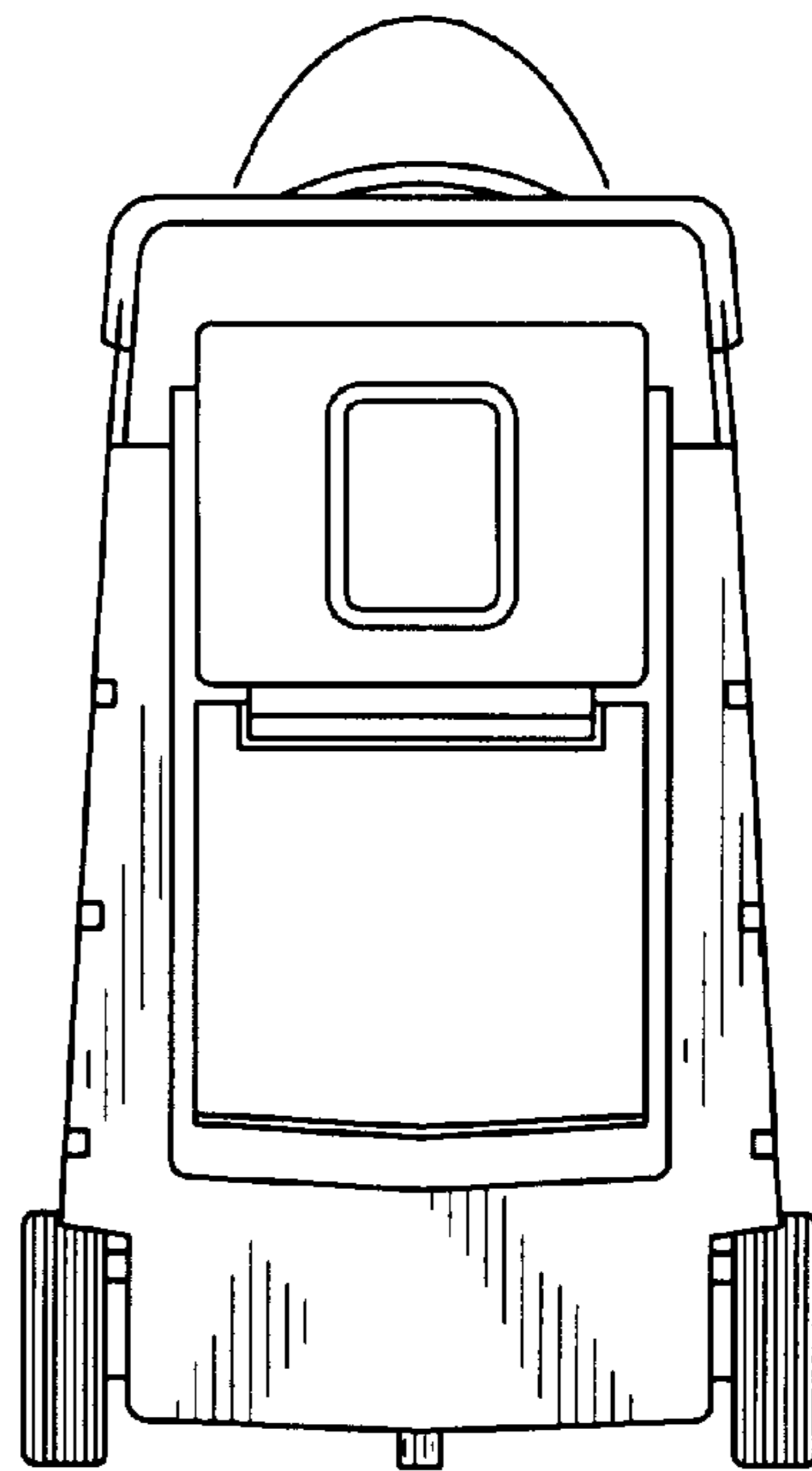


FIG. 5

