

US00D516264S

(12) **United States Design Patent**  
**Verbeek**

(10) **Patent No.:** **US D516,264 S**

(45) **Date of Patent:** **\*\* Feb. 28, 2006**

(54) **TREADLE**

(75) **Inventor:** **Antonius J. Verbeek**, Valkenswaard  
(NL)

(73) **Assignee:** **Brabantia Nederland B.V.**, BP Waalre  
(NL)

(\*\*) **Term:** **14 Years**

(21) **Appl. No.:** **29/200,906**

(22) **Filed:** **Mar. 4, 2004**

(51) **LOC (8) Cl.** ..... **09-09**

(52) **U.S. Cl.** ..... **D34/10**

(58) **Field of Classification Search** ..... D34/9,  
D34/10, 11; 220/262, 263, 260, 908, 495.04;  
D8/499; 74/560, 561, 512; 200/86.5  
See application file for complete search history.

(56) **References Cited**

**U.S. PATENT DOCUMENTS**

- D401,028 S \* 11/1998 Ahern et al. .... D34/9
- D418,958 S \* 1/2000 Wood et al. .... D34/9
- D435,951 S \* 1/2001 Yang et al. .... D34/9

- D467,697 S \* 12/2002 Spadafora ..... D34/10
- D468,508 S \* 1/2003 Yang ..... D34/10
- D481,508 S \* 10/2003 Wang ..... D34/9
- D485,407 S \* 1/2004 Walsh et al. .... D34/10
- D493,931 S \* 8/2004 Lin ..... D34/9
- D494,724 S \* 8/2004 Lin ..... D34/9

\* cited by examiner

*Primary Examiner*—Cynthia E. Ramirez

(74) *Attorney, Agent, or Firm*—Abelman, Frayne & Schwab

(57) **CLAIM**

The ornamental design for a treadle, as shown and described.

**DESCRIPTION**

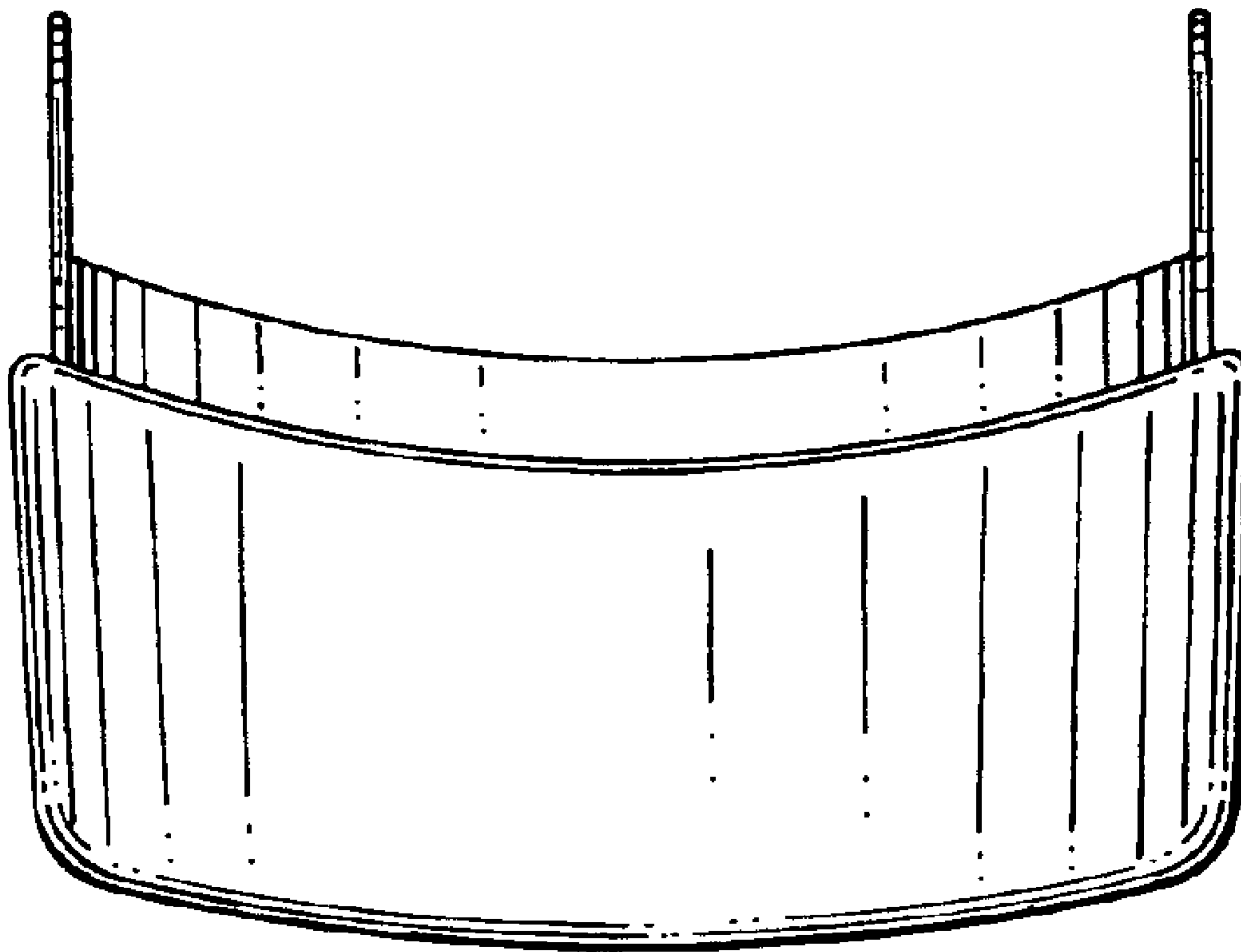
FIG. 1 is a top plan view of a treadle showing my new design;

FIG. 2 is a front elevational view thereof;

FIG. 3 is a top front right side perspective view thereof; and,

FIG. 4 is a right side elevational view thereof, with the left side elevational view being a mirror image thereof.

**1 Claim, 1 Drawing Sheet**



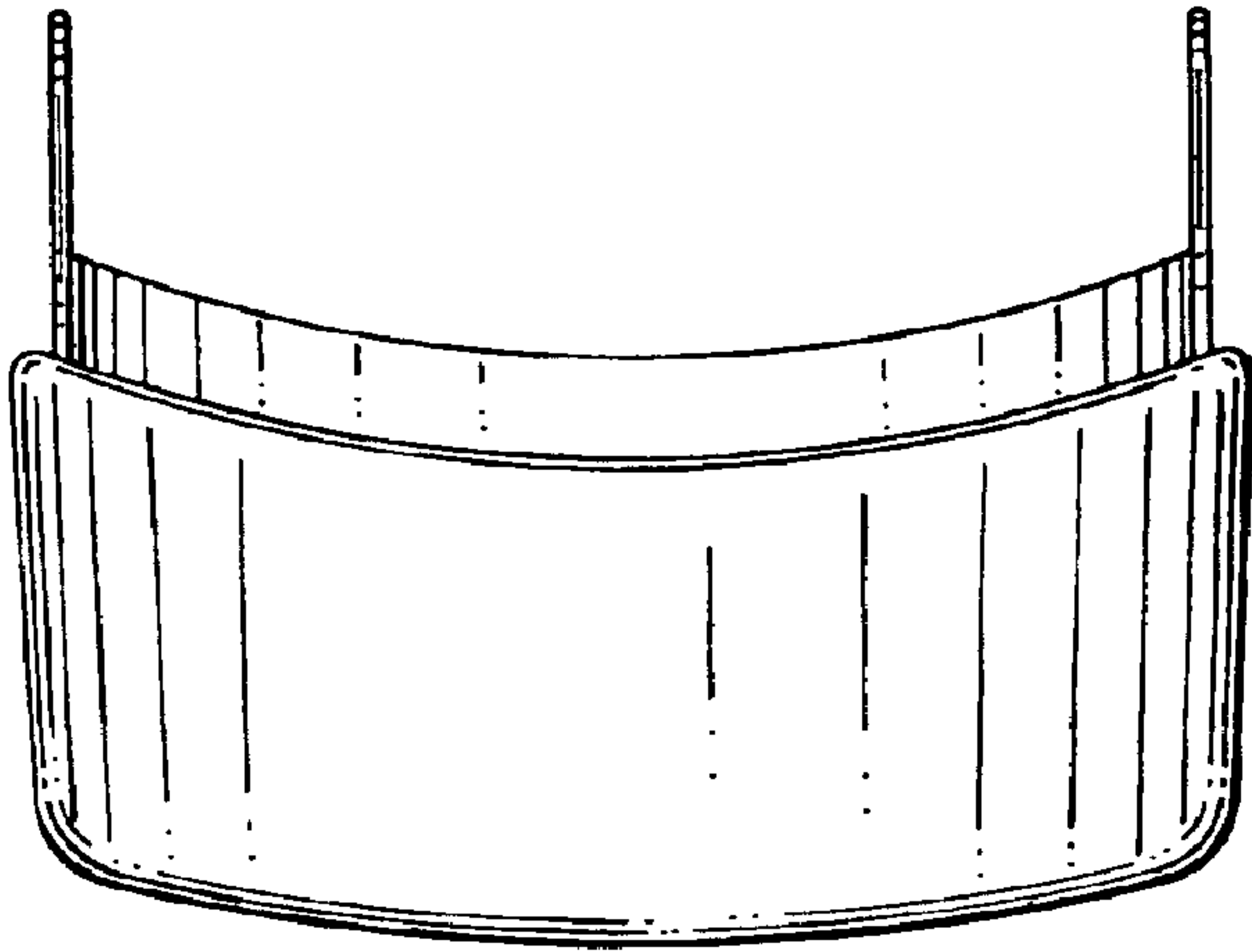


FIG. 1

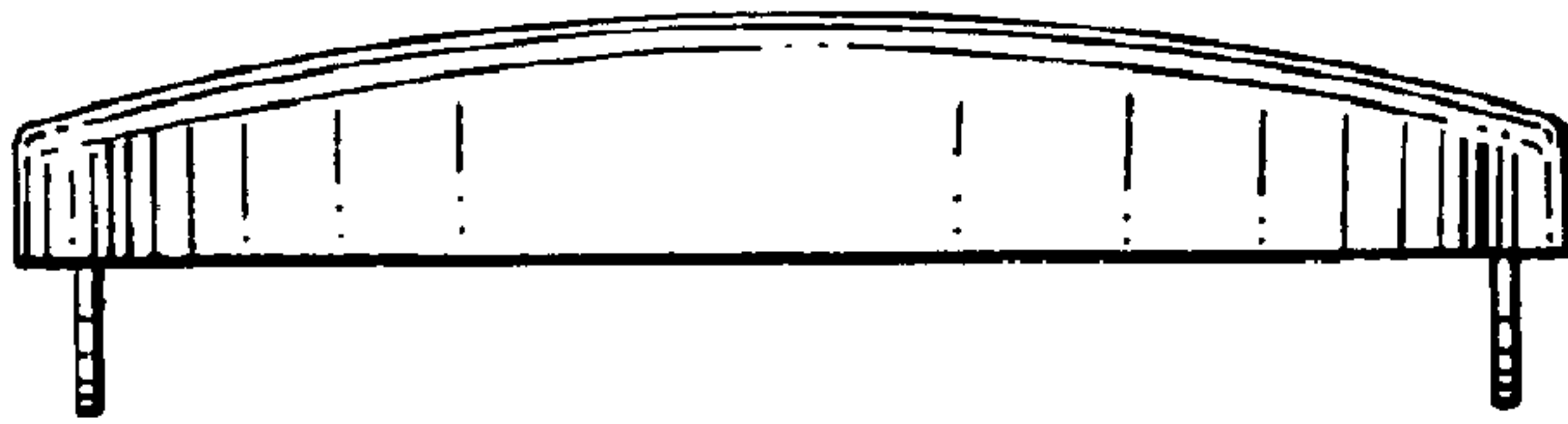


FIG. 2

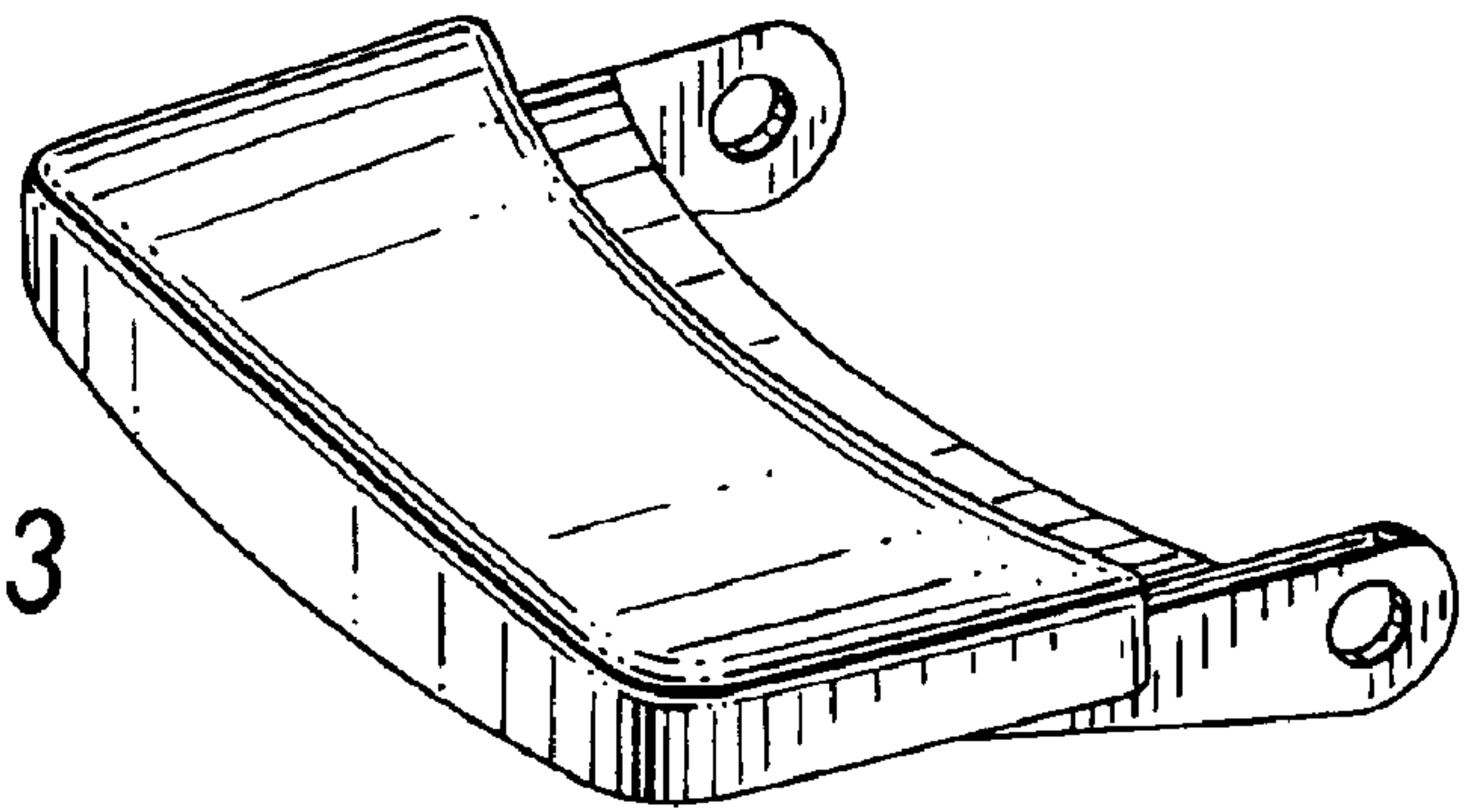


FIG. 3

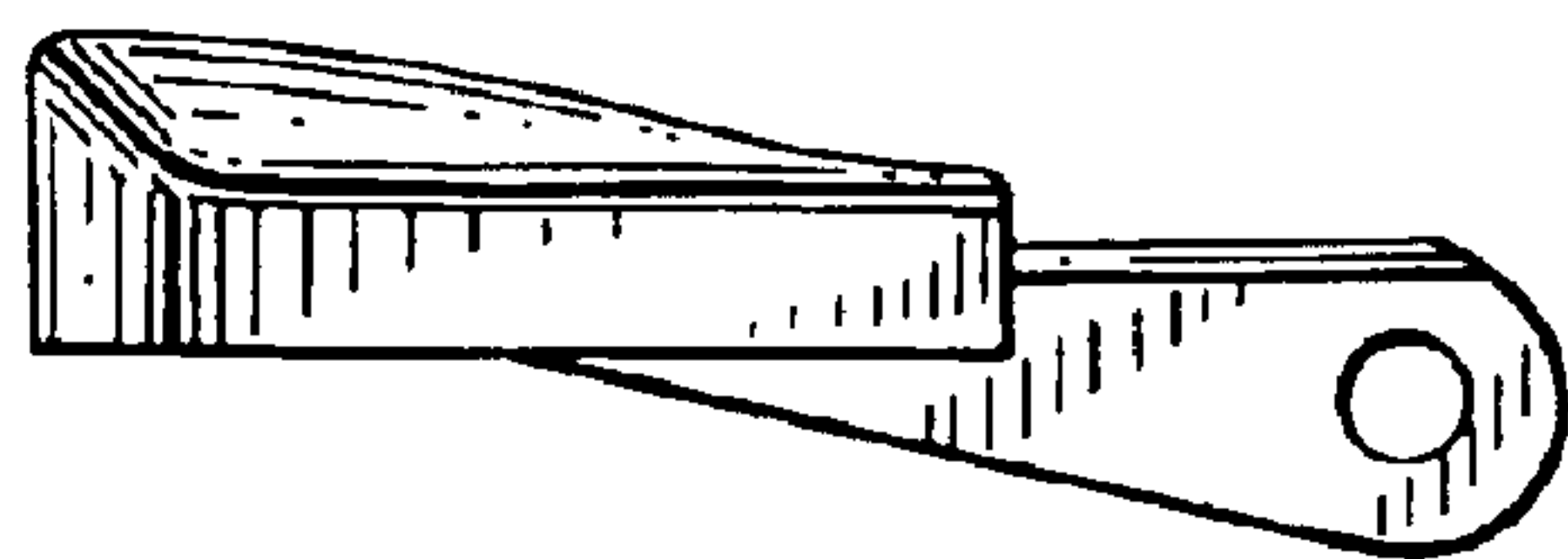


FIG. 4