

US00D516262S

(12) **United States Design Patent**
Cowdery

(10) **Patent No.:** **US D516,262 S**

(45) **Date of Patent:** **** Feb. 28, 2006**

(54) **APPLICATOR**

(76) Inventor: **Dean J. Cowdery**, 6410 Oxford St., St. Louis Park, MN (US) 55426

(**) Term: **14 Years**

(21) Appl. No.: **29/179,519**

(22) Filed: **Apr. 11, 2003**

(51) **LOC (8) Cl.** **04-01**

(52) **U.S. Cl.** **D32/50**

(58) **Field of Classification Search** D4/122, D4/123, 137; D32/40, 50, 51; 15/209.1, 210.1, 15/220.1, 223, 226, 228, 230, 230.11, 230.12, 15/230.14, 235; 492/28, 29

See application file for complete search history.

(56) **References Cited**

U.S. PATENT DOCUMENTS

2,662,269	A	*	12/1953	Nash	15/230.11	X
2,756,449	A	*	7/1956	Dewey	15/235	X
4,152,807	A	*	5/1979	Smahlik	15/210.1	X
5,492,425	A	*	2/1996	Carter et al.			
6,148,469	A	*	11/2000	Irven	15/230.11	

* cited by examiner

Primary Examiner—Alan P. Douglas
Assistant Examiner—Lavone D. Tabor

(74) *Attorney, Agent, or Firm*—Richard O. Bartz; R. John Bartz

(57) **CLAIM**

I claim the ornamental design for an applicator, as shown and described.

DESCRIPTION

FIG. 1 is a perspective view of the applicator of my new design;

FIG. 2 is a top plan view thereof, shown broken away for ease of illustration;

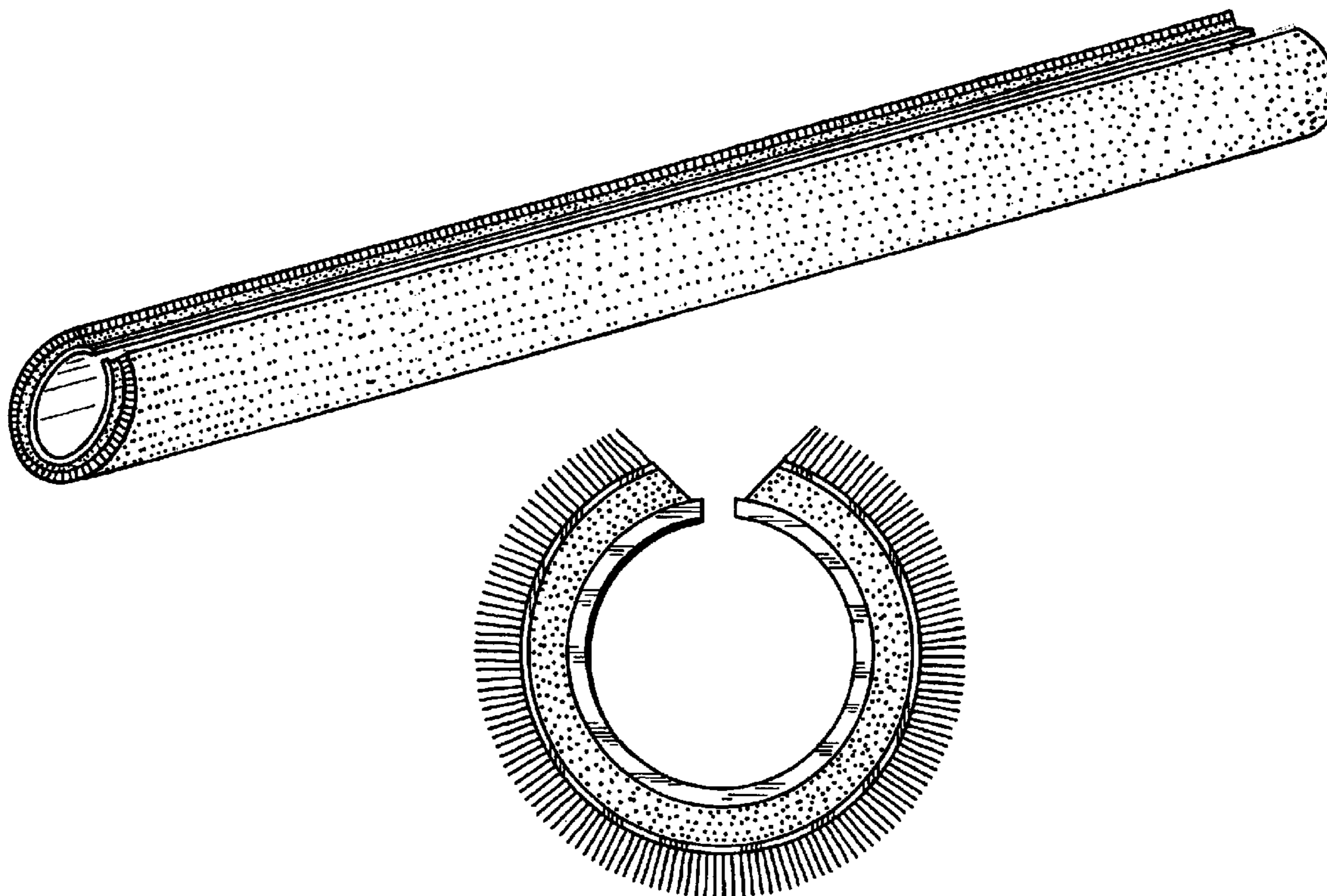
FIG. 3 is a side view of FIG. 2, the opposite side being a mirror image;

FIG. 4 is a bottom plan view of FIG. 2;

FIG. 5 is enlarged end elevational view of FIG. 1, the opposite end being a mirror image thereof; and,

FIG. 6 is an enlarged sectional view taken along line 6—6 of FIG. 2.

1 Claim, 2 Drawing Sheets



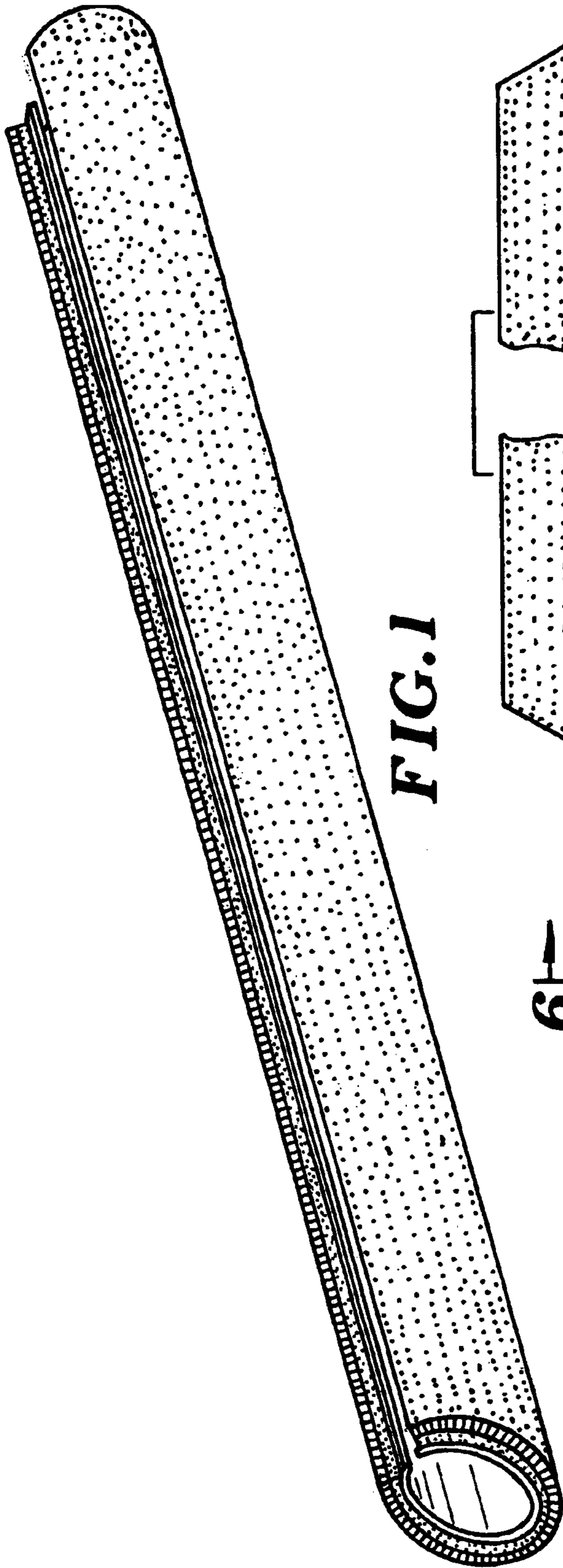


FIG. 1

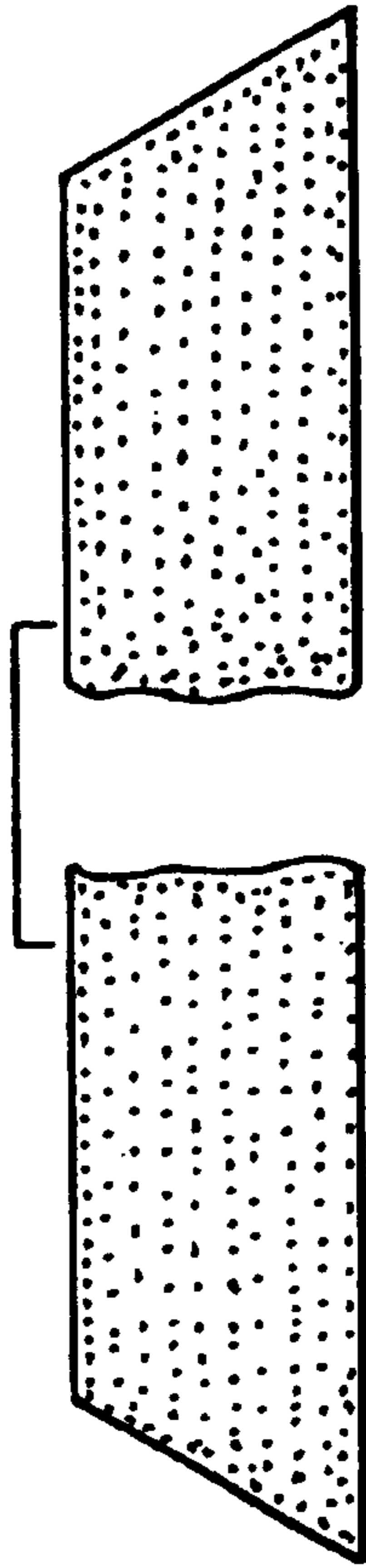


FIG. 3

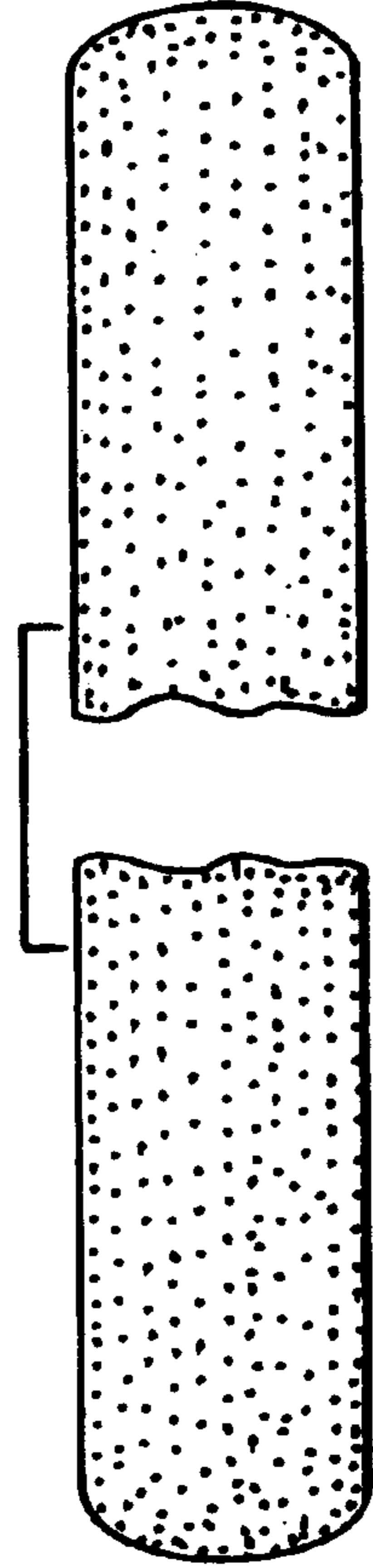


FIG. 4

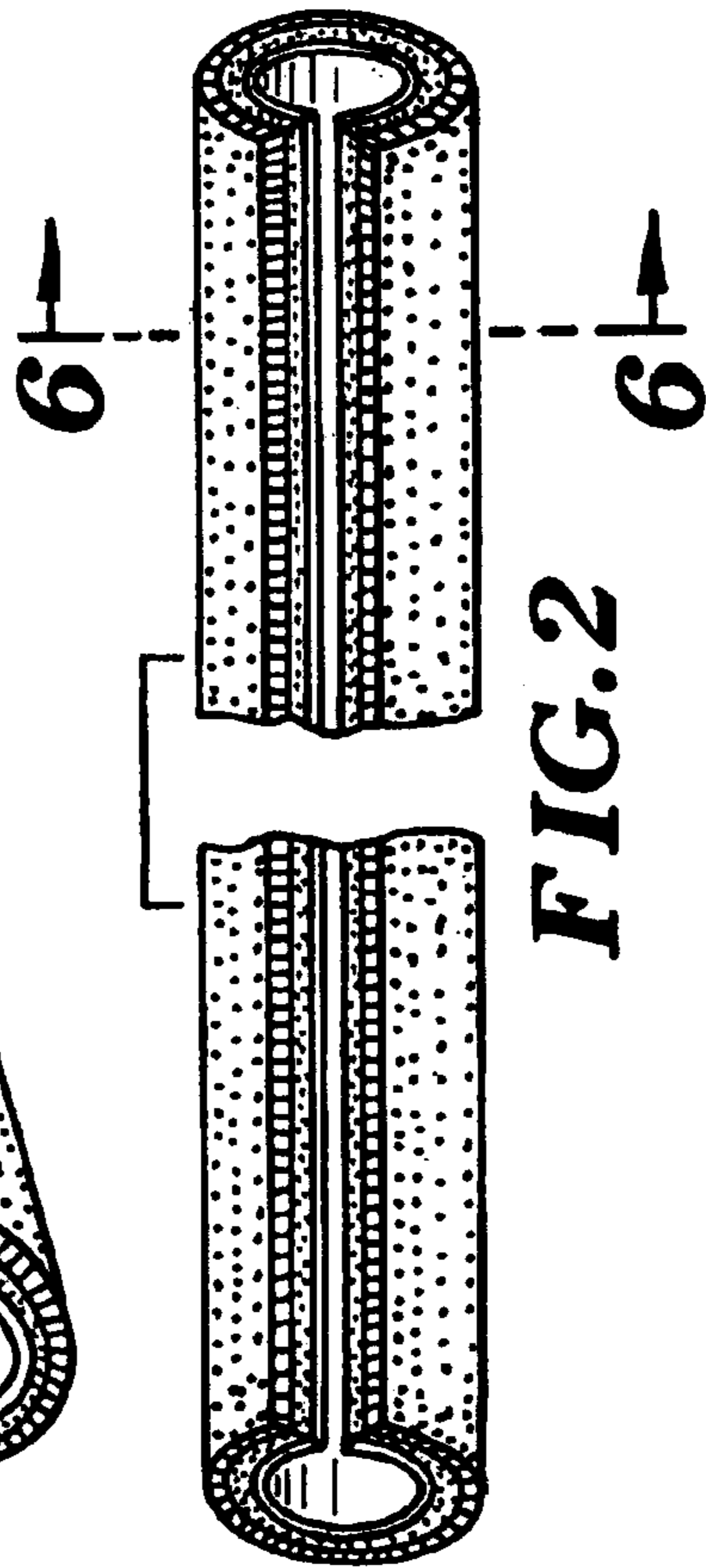


FIG. 2

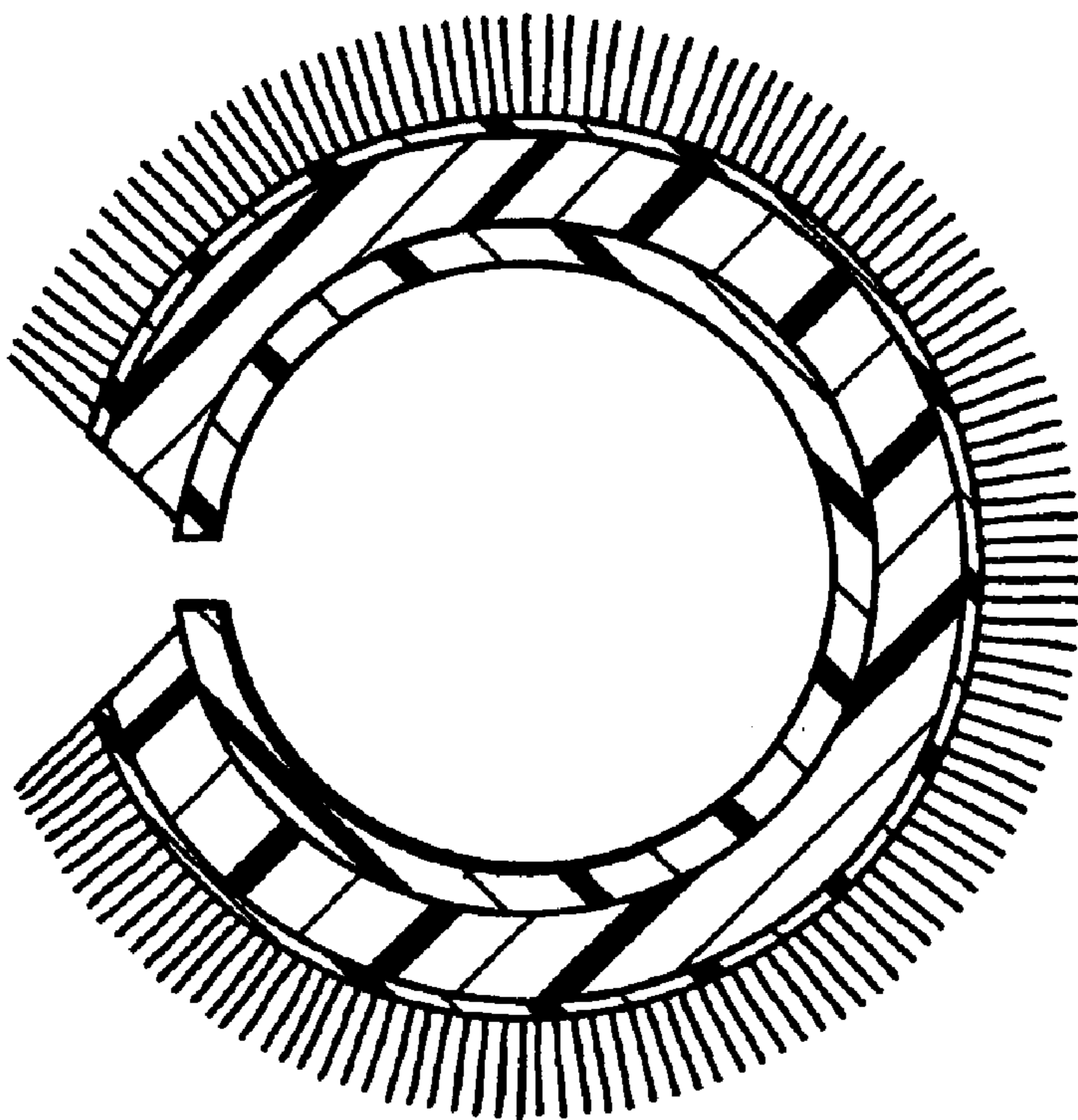


FIG. 6

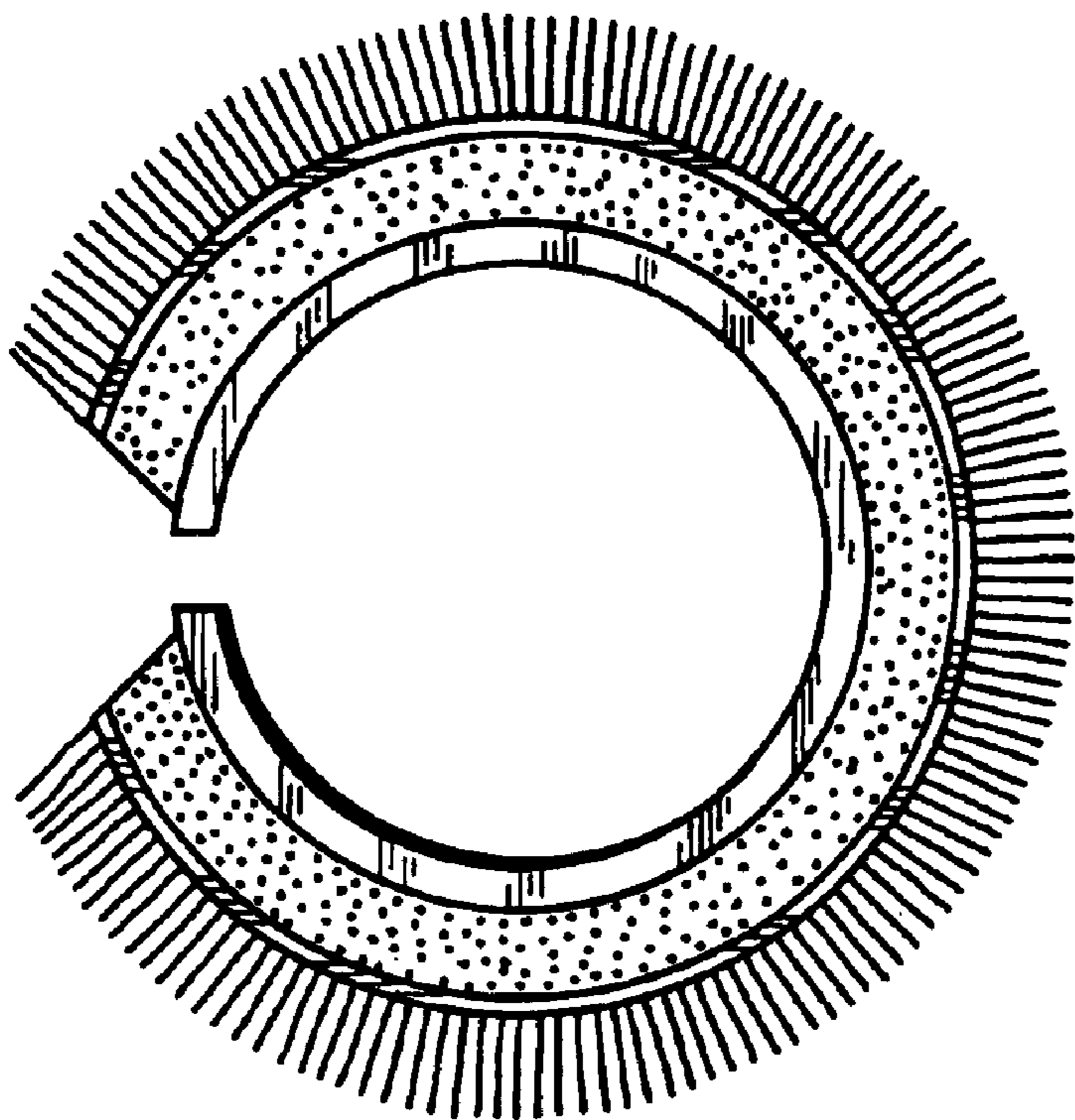


FIG. 5