

US00D516260S

(12) **United States Design Patent**
Chen

(10) **Patent No.:** **US D516,260 S**

(45) **Date of Patent:** **** Feb. 28, 2006**

(54) **VEHICLE TRIM CLEANING WHEEL**

(75) **Inventor:** **Lung-Pao Chen, Hsin-Chu Hsien (TW)**

(73) **Assignee:** **Sunmatch Industrial Co., Ltd. (TW)**

(**) **Term:** **14 Years**

(21) **Appl. No.:** **29/226,483**

(22) **Filed:** **Mar. 29, 2005**

(51) **LOC (8) Cl. 15-05**

(52) **U.S. Cl. D32/25**

(58) **Field of Classification Search** D32/25,
D32/32, 16, 1, 4, 19, 20, 33, 34; D21/128,
D21/542, 545; D15/28; D12/85, 204; 301/86;
15/53.1, 323, 230.16, 370, 402, 353; 134/45,
134/123; 451/424

See application file for complete search history.

(56) **References Cited**

U.S. PATENT DOCUMENTS

4,004,316	A	*	1/1977	Ali	15/230.16
D278,356	S	*	4/1985	Goldfarb et al.	D21/563
5,190,363	A	*	3/1993	Brittain et al.	305/199
D349,736	S	*	8/1994	Hatting	D21/561

D364,199	S	*	11/1995	Schmidt et al.	D21/488
D366,073	S	*	1/1996	Schmidt et al.	D21/488
D429,393	S	*	8/2000	Rief et al.	D32/25
D443,737	S	*	6/2001	Rief et al.	D32/15

* cited by examiner

Primary Examiner—Louis S. Zarfaz

Assistant Examiner—Kathleen Sims

(74) *Attorney, Agent, or Firm*—Caesar, Rivise, Bernstein, Cohen & Pokotilow, Ltd.

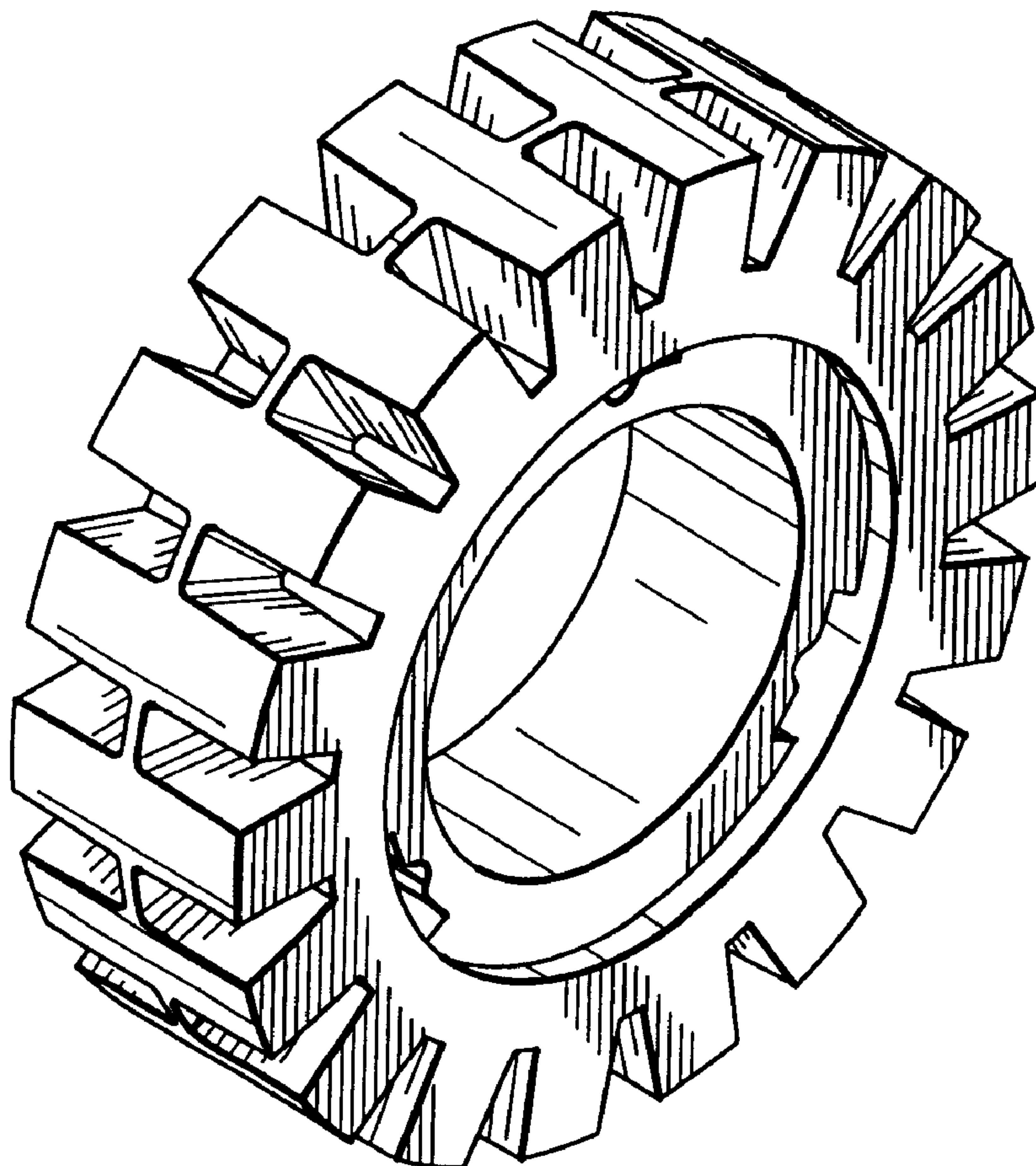
(57) **CLAIM**

The ornamental design for vehicle trim cleaning wheel, as shown and described.

DESCRIPTION

FIG. 1 is a perspective view of vehicle trim cleaning wheel showing my new design;
FIG. 2 is a front elevational view thereof;
FIG. 3 is a rear elevational view thereof;
FIG. 4 is a left side elevational view thereof;
FIG. 5 is a right side elevational view thereof;
FIG. 6 is a top plan view thereof; and,
FIG. 7 is a bottom plan view thereof.

1 Claim, 4 Drawing Sheets



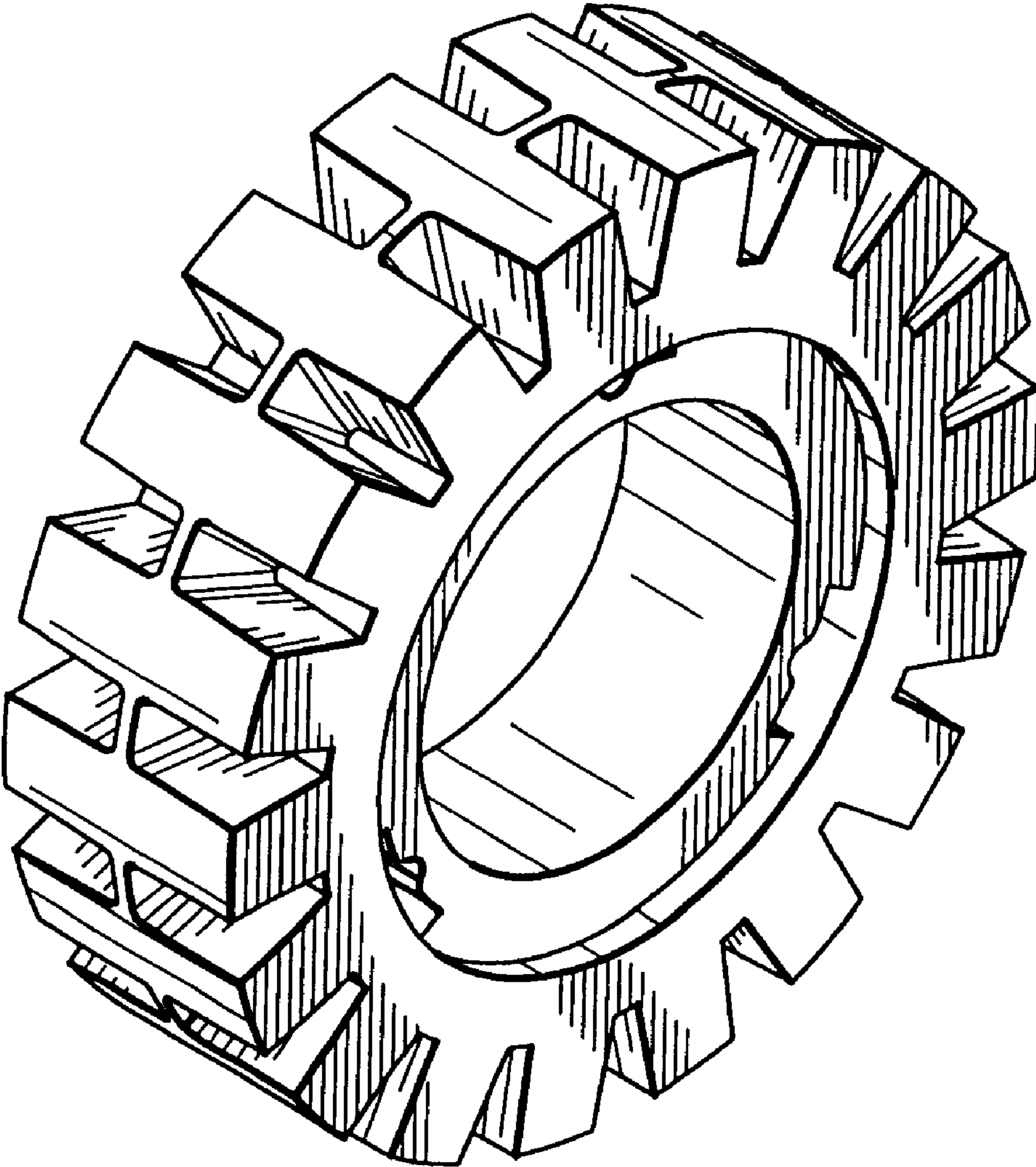


FIG. 1

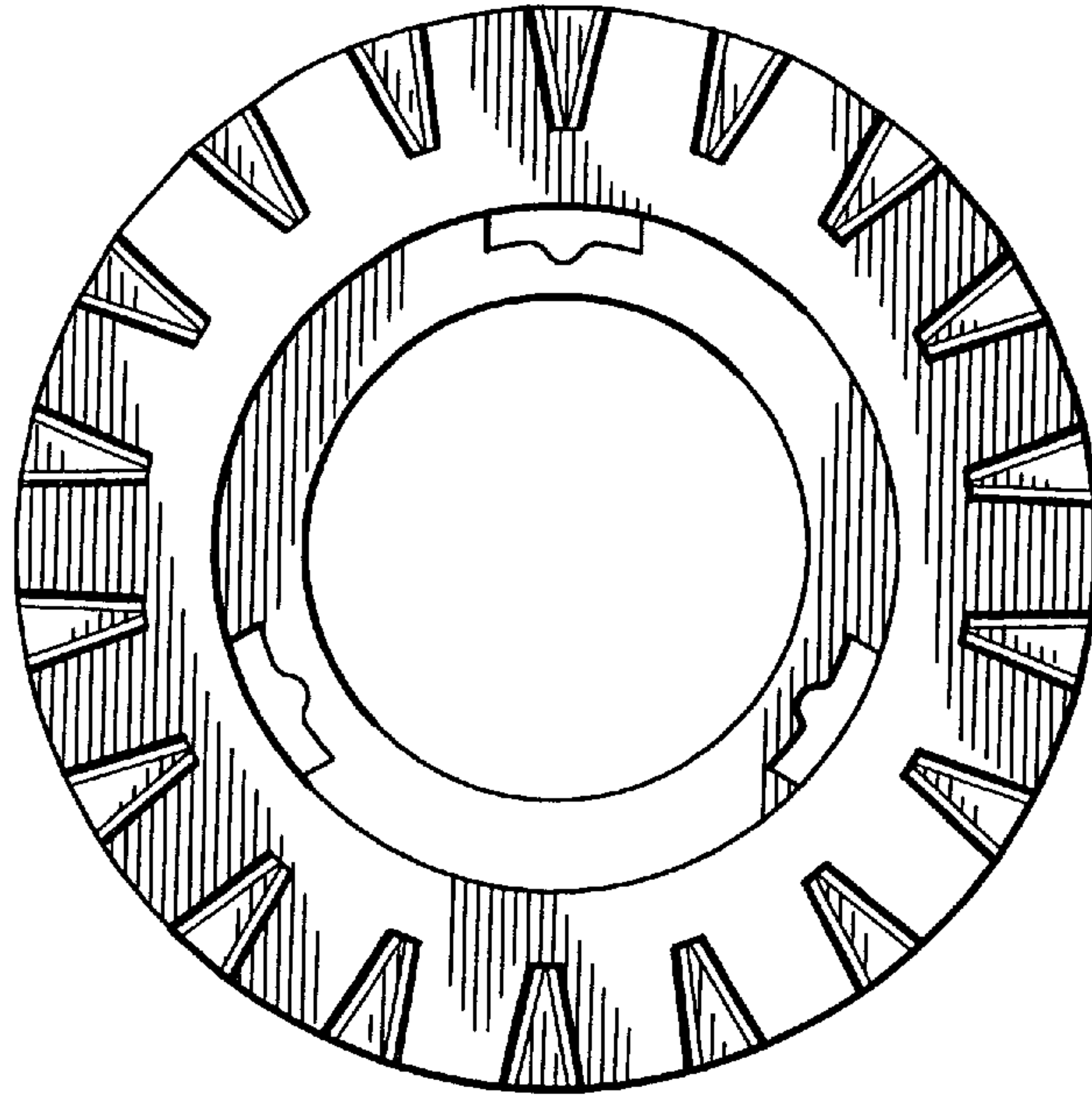


FIG. 2

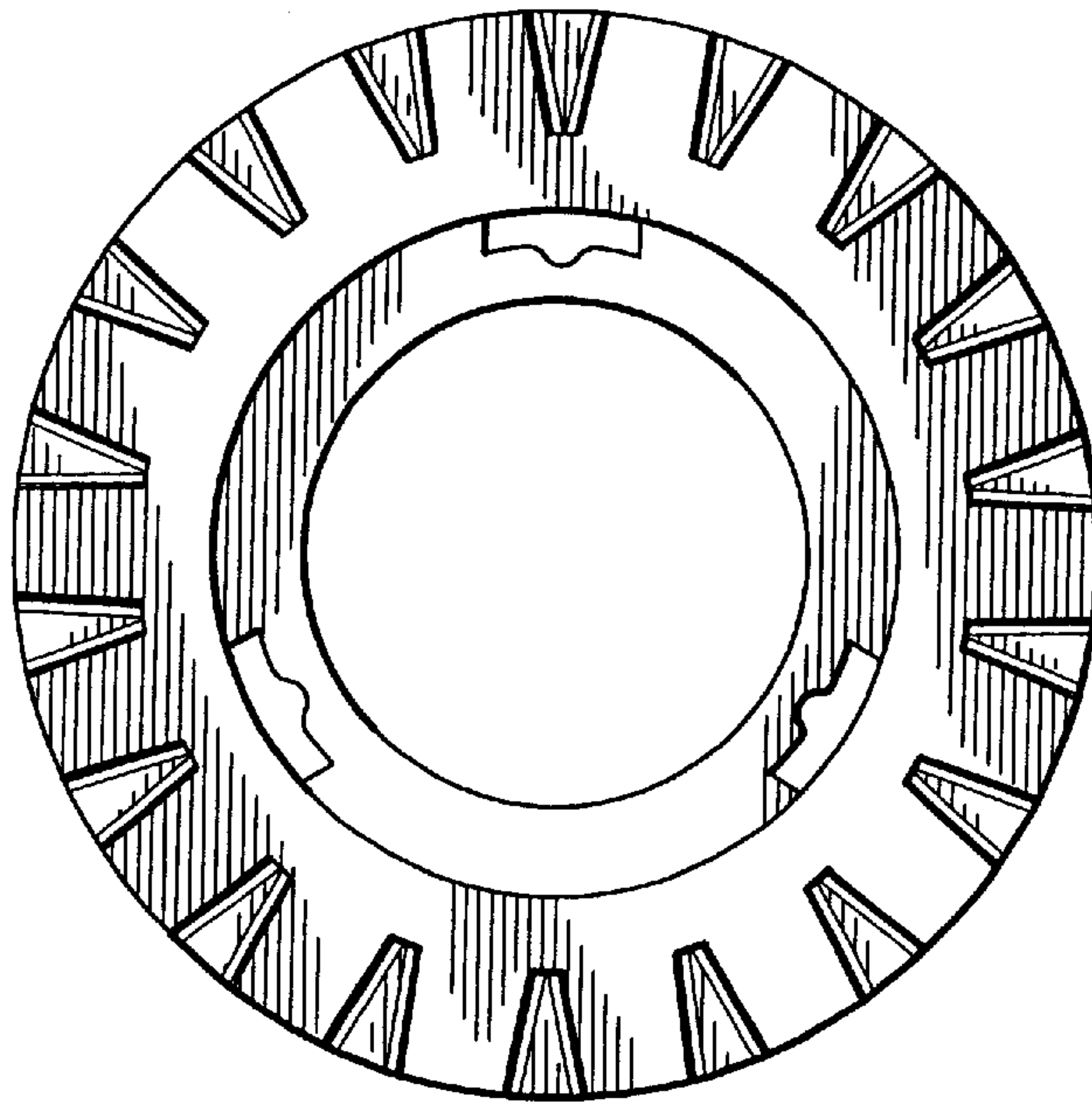


FIG. 3

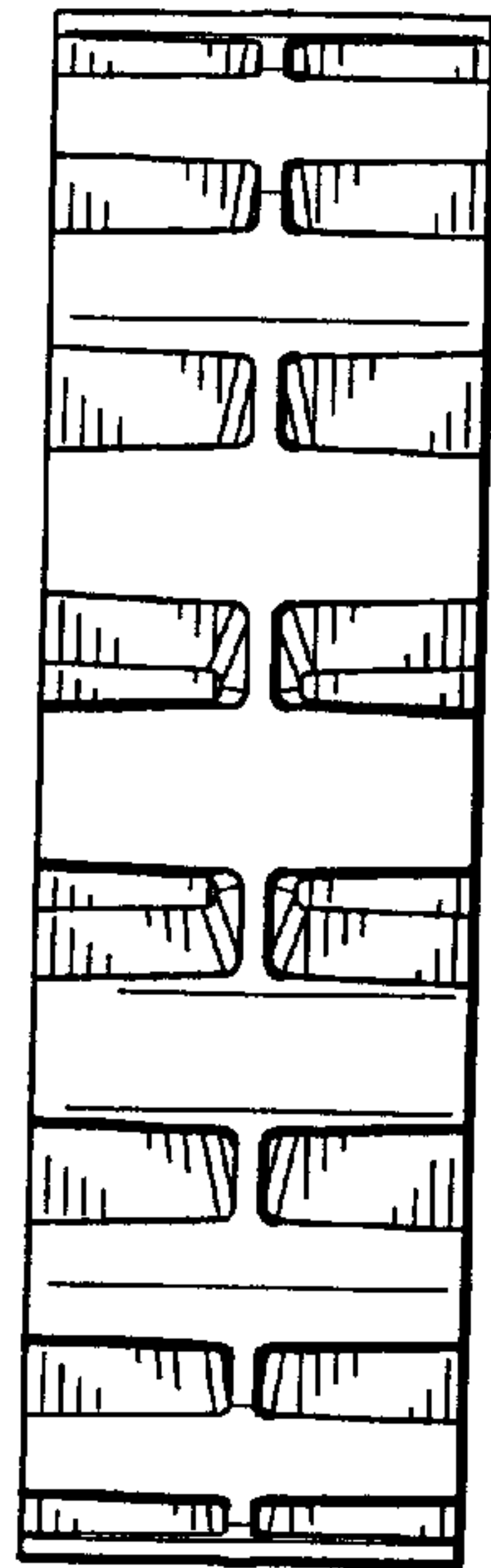


FIG. 4

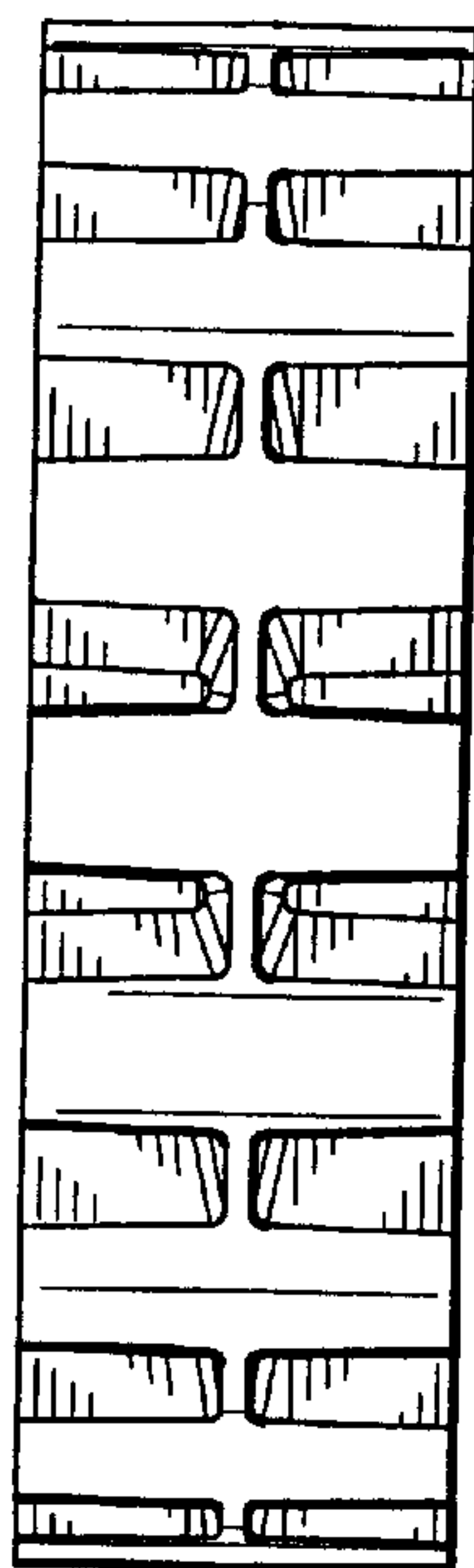


FIG. 5

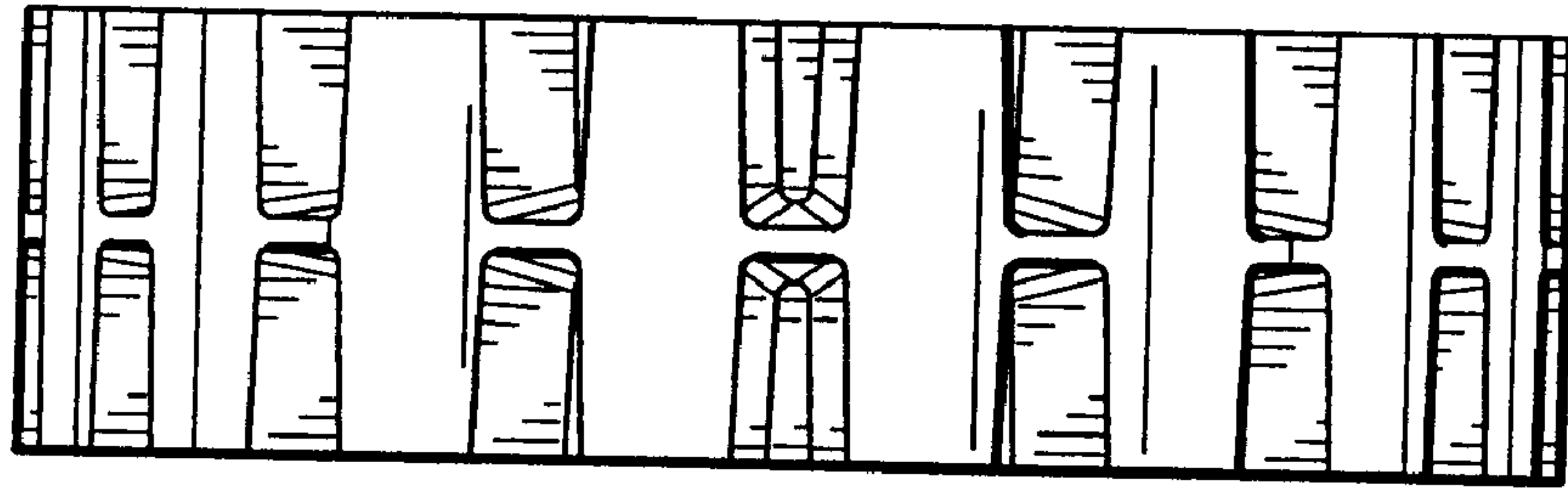


FIG. 6

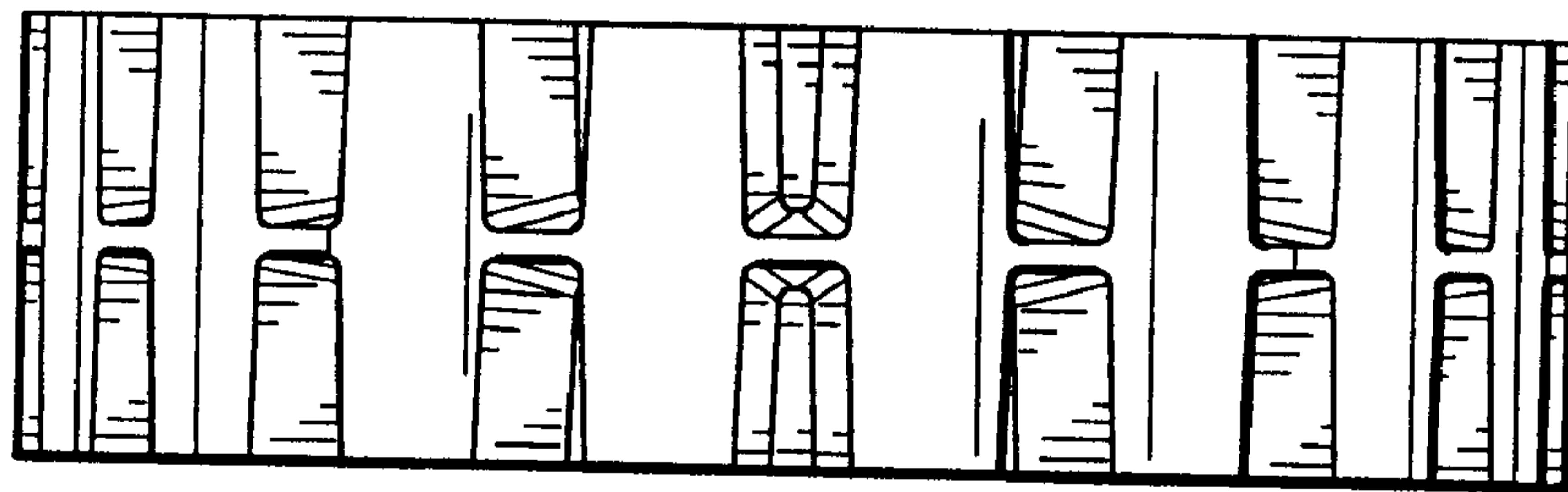


FIG. 7