



US00D516254S

(12) **United States Design Patent** (10) **Patent No.:** **US D516,254 S**
Shircliff (45) **Date of Patent:** **** Feb. 28, 2006**

(54) **KNEE PAD**

(76) Inventor: **David E. Shircliff**, 7801 Michael Dr.,
Louisville, KY (US) 40228

(**) Term: **14 Years**

(21) Appl. No.: **29/221,839**

(22) Filed: **Jan. 24, 2005**

(51) **LOC (8) Cl.** **29-02**

(52) **U.S. Cl.** **D29/121.1**

(58) **Field of Classification Search** D29/100,
D29/120.1, 121.1, 122; D2/901; D24/190;
2/16, 22, 23, 24, 62, 267, 455, 910, 911;
602/3, 5, 6, 16, 23, 26

See application file for complete search history.

(56) **References Cited**

U.S. PATENT DOCUMENTS

1,434,808	A	*	11/1922	Burnett et al.	2/24
D351,255	S	*	10/1994	Pytlewski	D29/121.1
D354,590	S	*	1/1995	Paikos et al.	D29/100
D355,052	S	*	1/1995	Paikos et al.	D29/100
5,446,926	A	*	9/1995	Bourque et al.	2/22
D406,406	S	*	3/1999	Hettwer	D29/120.1
D430,362	S	*	8/2000	Pagotto	D29/121.1
D463,072	S	*	9/2002	Munoz et al.	D29/121.1
D489,493	S	*	5/2004	Beland	D29/122
6,807,682	B1	*	10/2004	Shircliff	2/62
D504,981	S	*	5/2005	Vanderhoef	D29/121.1
2004/0019949	A1	*	2/2004	Crockett	2/23
2004/0255356	A1	*	12/2004	Lesosky	2/24

OTHER PUBLICATIONS

Ergonomic knee pads, p. 88, Direct Safety Co. 1996 master catalogue.*

* cited by examiner

Primary Examiner—Gary D. Watson
Assistant Examiner—T. Chase Nelson

(74) *Attorney, Agent, or Firm*—Berenato, White & Stavish, LLC

(57) **CLAIM**

The ornamental design for a knee pad, as shown and described.

DESCRIPTION

FIG. 1 is a front perspective view of my design;
 FIG. 2 is a bottom plan view;
 FIG. 3 is a top plan view;
 FIG. 4 is a front elevational view;
 FIG. 5 is a rear elevational view;
 FIG. 6 is a left side elevational view;
 FIG. 7 is a right side elevational view;
 FIG. 8 is a front perspective view of the exterior shell of my design;
 FIG. 9 is a bottom plan view of the exterior shell;
 FIG. 10 is a top plan view of the exterior shell;
 FIG. 11 is a front elevational view of the exterior shell;
 FIG. 12 is a rear elevational view of the exterior shell;
 FIG. 13 is a left side elevational view of the exterior shell;
 FIG. 14 is a right side elevational view of the exterior shell;
 FIG. 15 is a front perspective view of the interior support of my design;
 FIG. 16 is a bottom plan view of the interior support;
 FIG. 17 is a top plan view of the interior support;
 FIG. 18 is a front elevational view of the interior support;
 FIG. 19 is a rear elevational view of the interior support;
 FIG. 20 is a left side elevational view of the interior support;
 and,
 FIG. 21 is a right side elevational view of the interior support.

FIGS. 1 through 7 depict the knee pad with the exterior shell and interior support components assembled whereas for ease of illustration FIGS. 8 through 14 depict only the exterior shell of the knee pad without its interior support and also for ease of illustration FIGS. 15 through 21 depict only the interior support of the knee pad without its exterior shell.

1 Claim, 21 Drawing Sheets

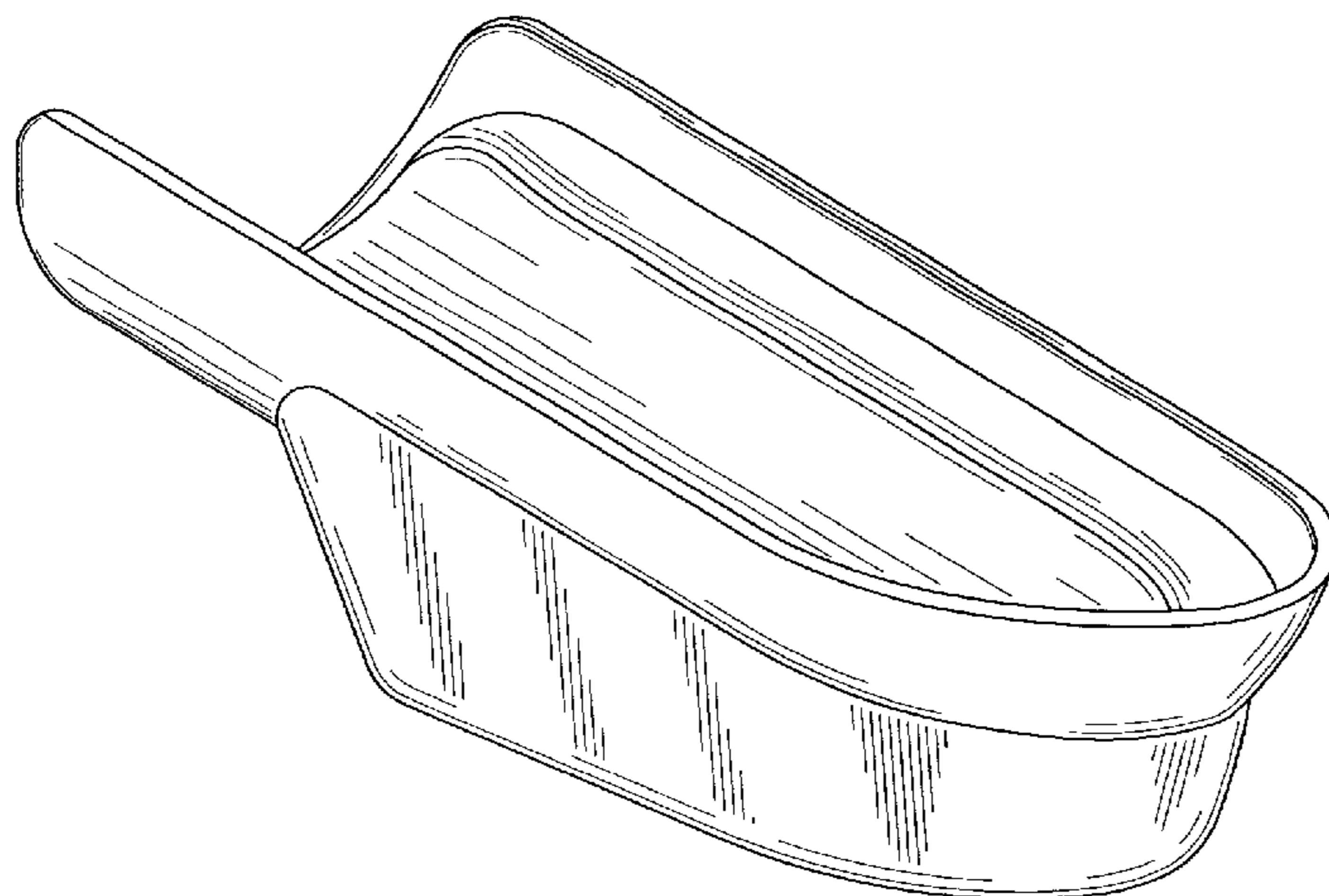


Fig. 1

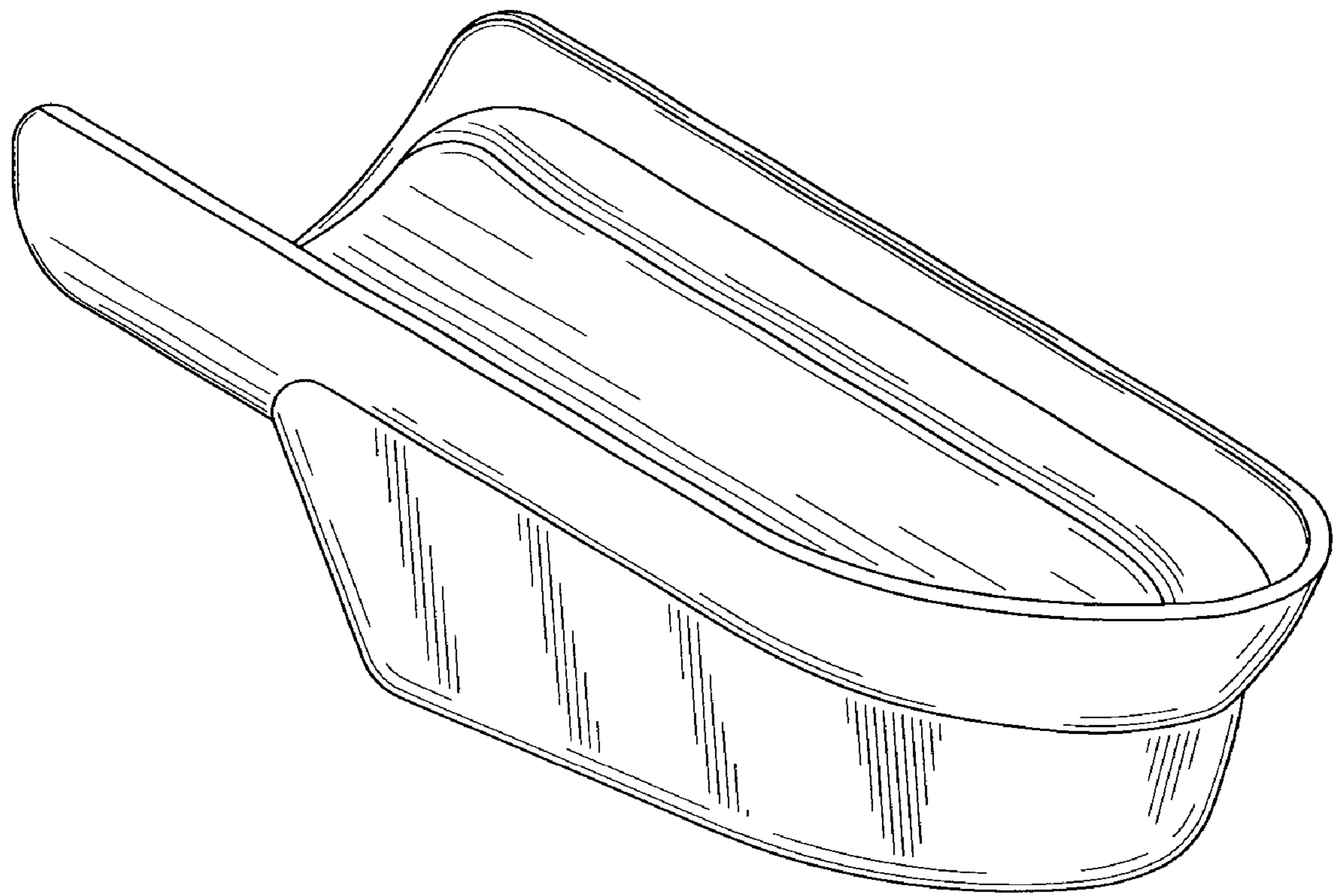


Fig. 2

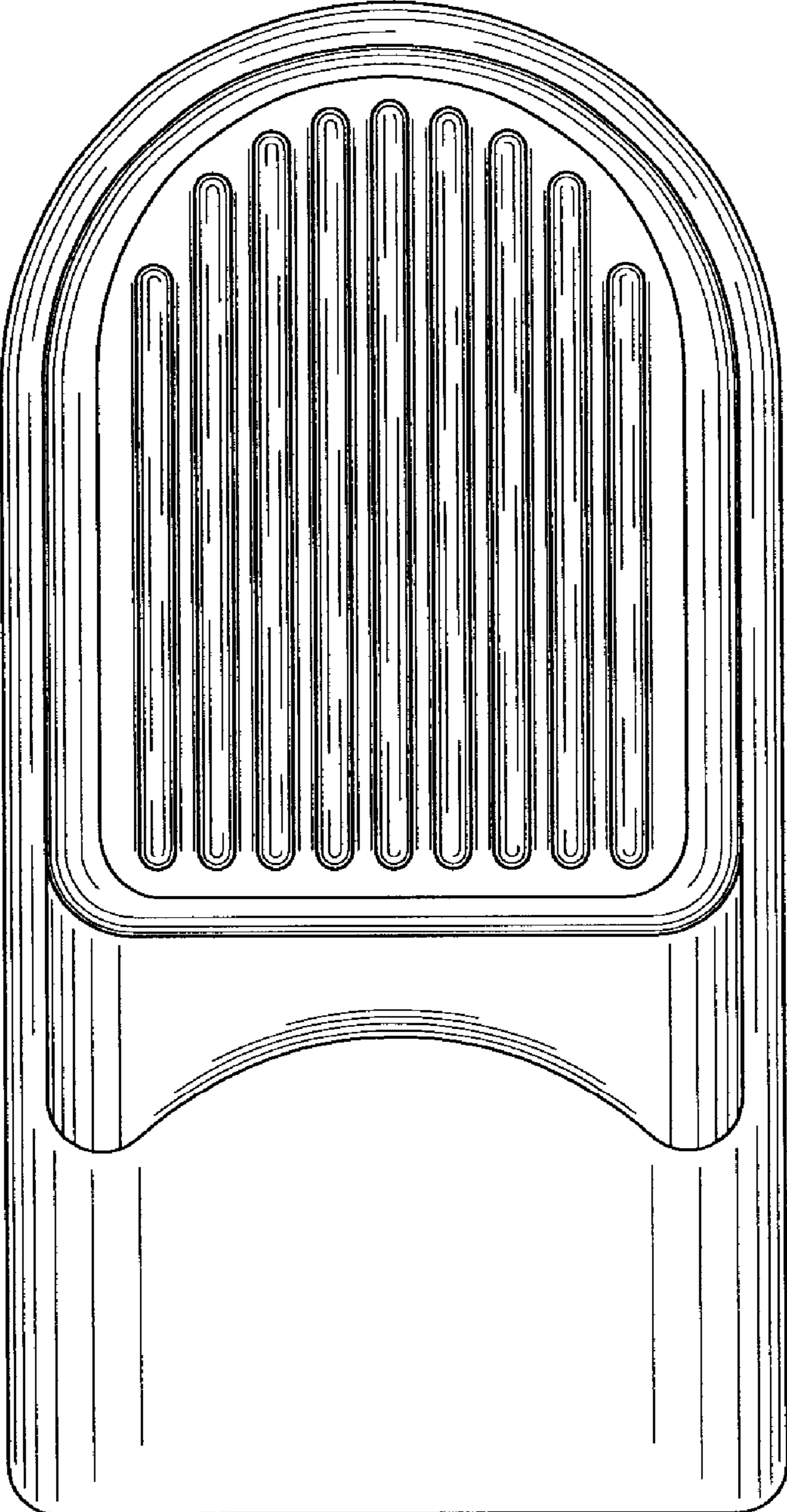


Fig. 3

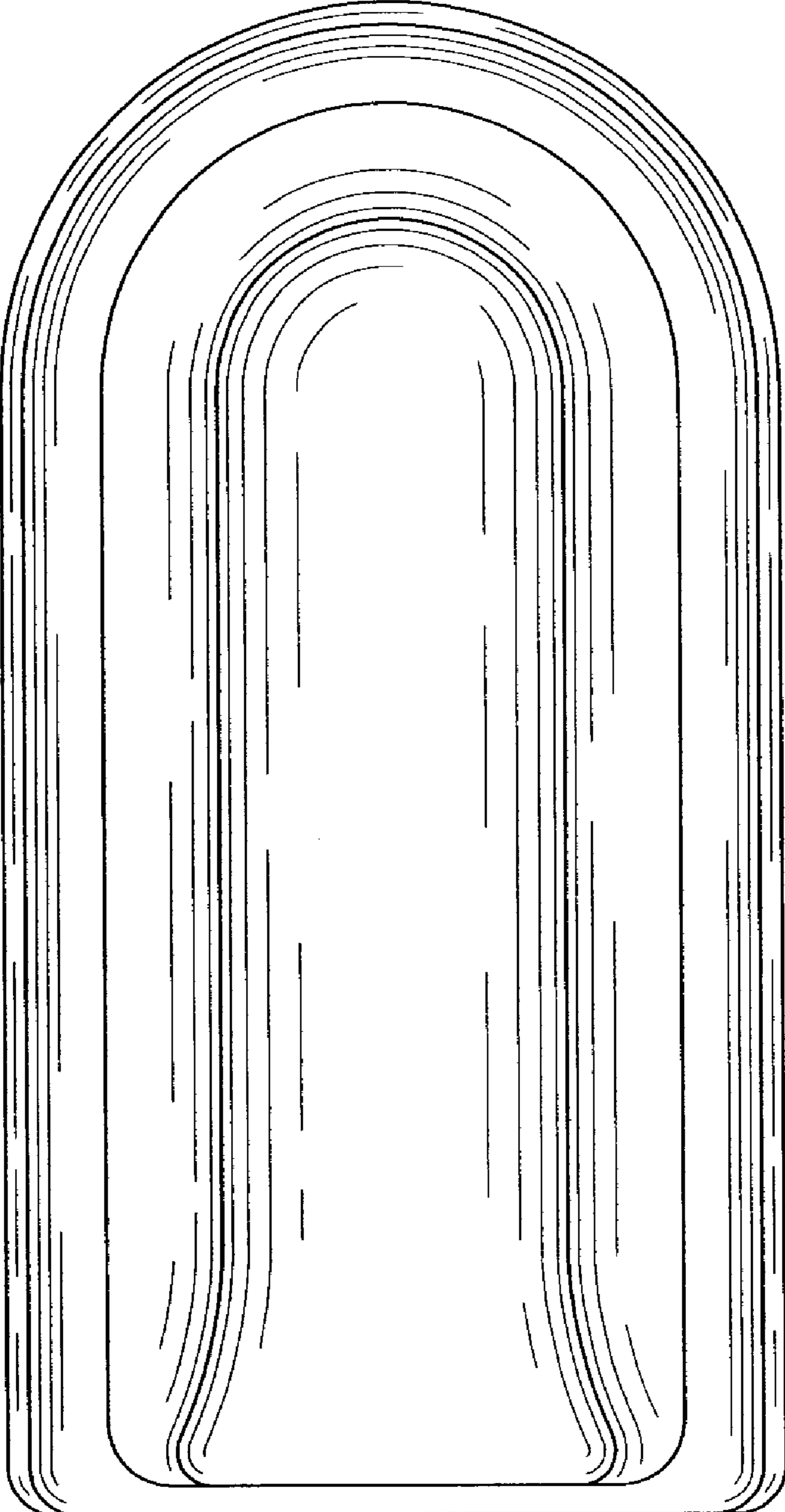


Fig. 4

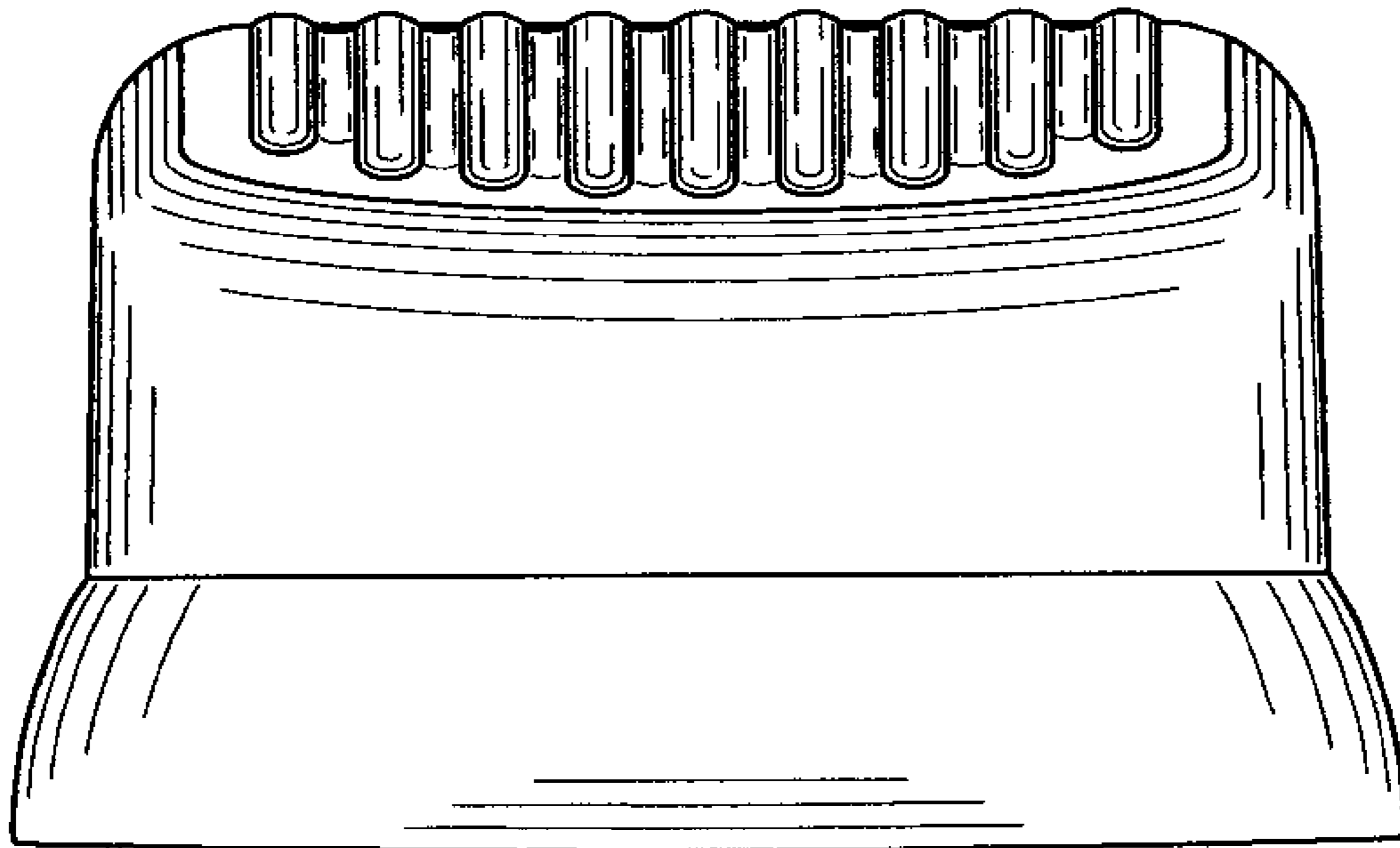


Fig. 5

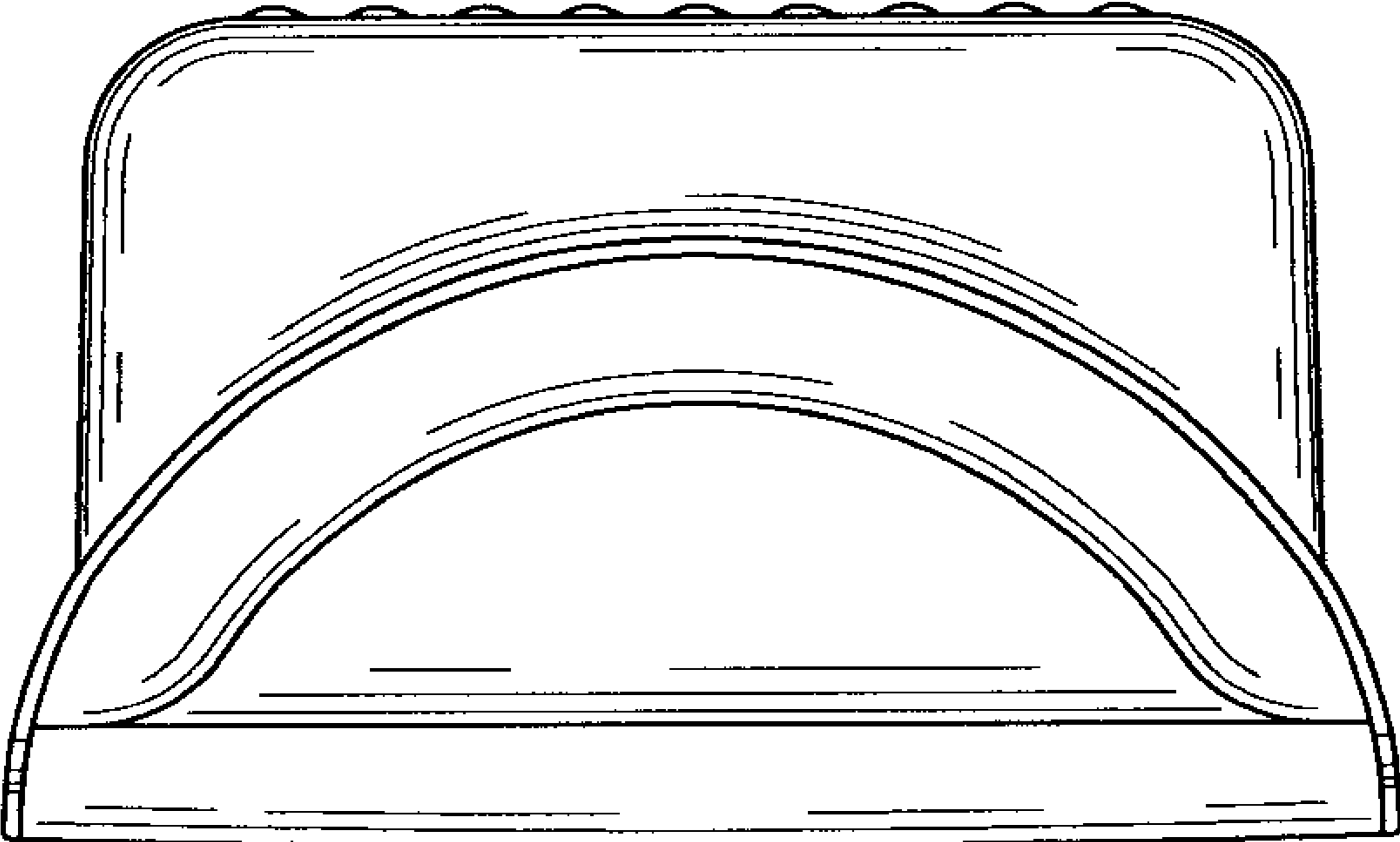


Fig. 6

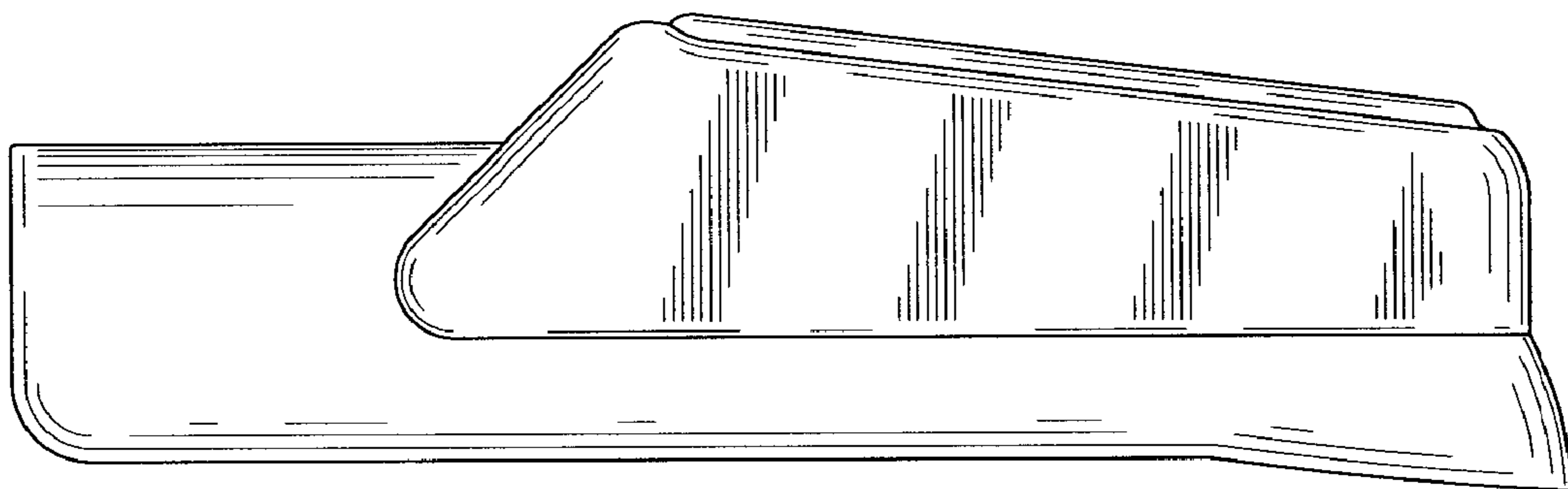


Fig. 7

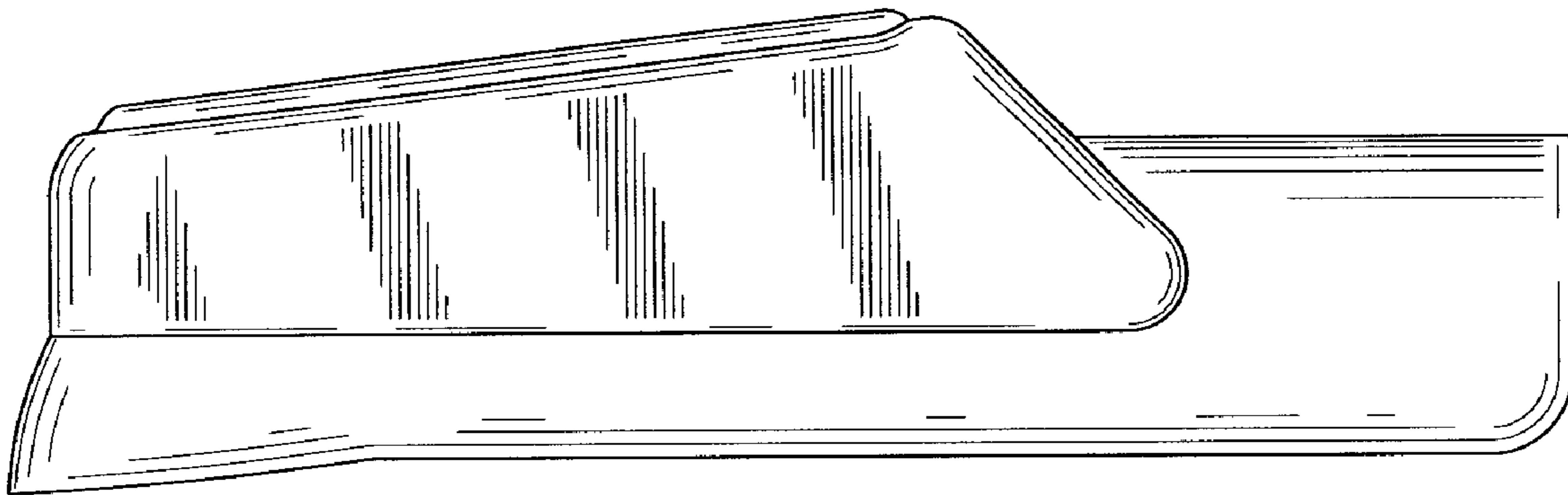


Fig. 8

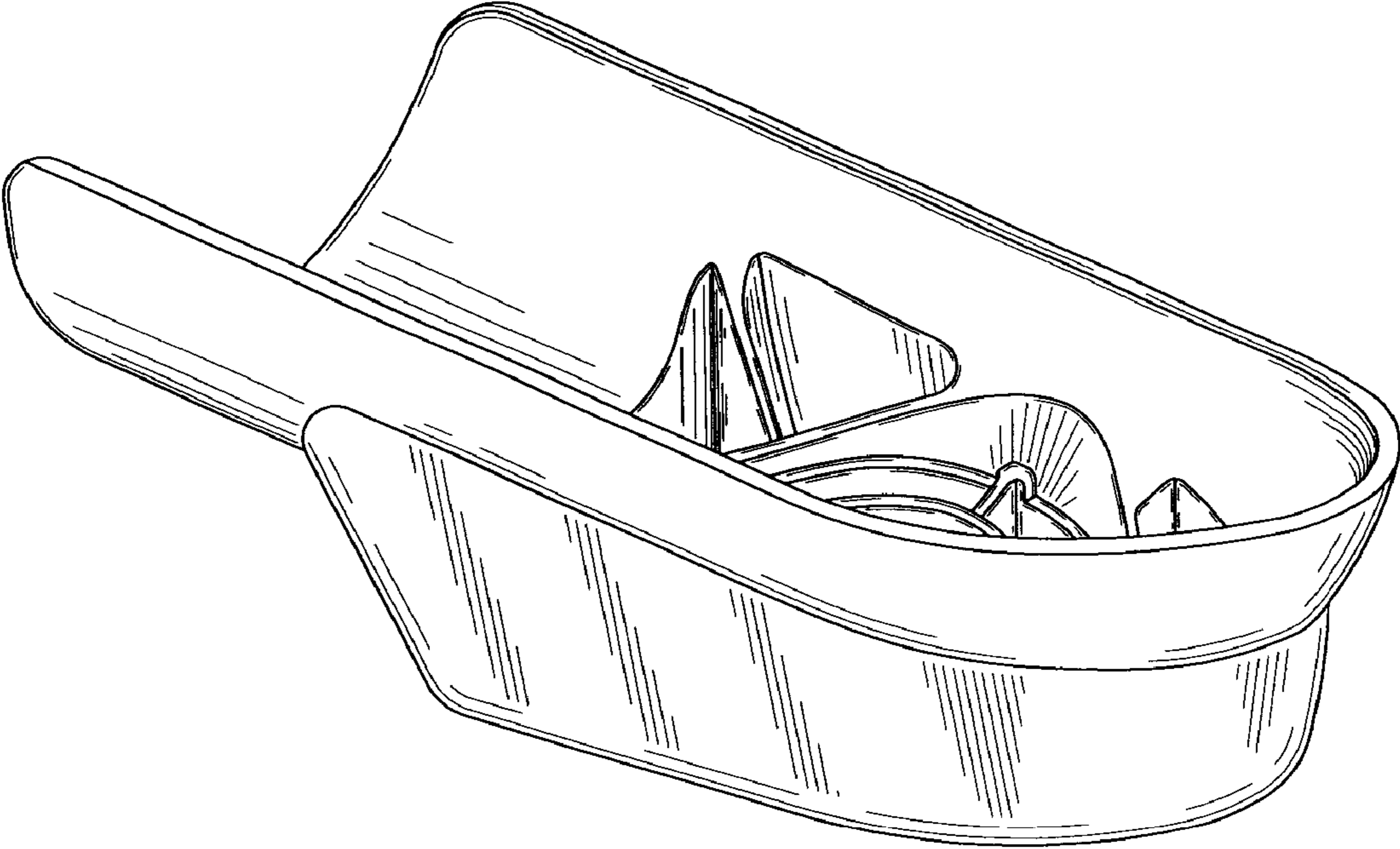


Fig. 9

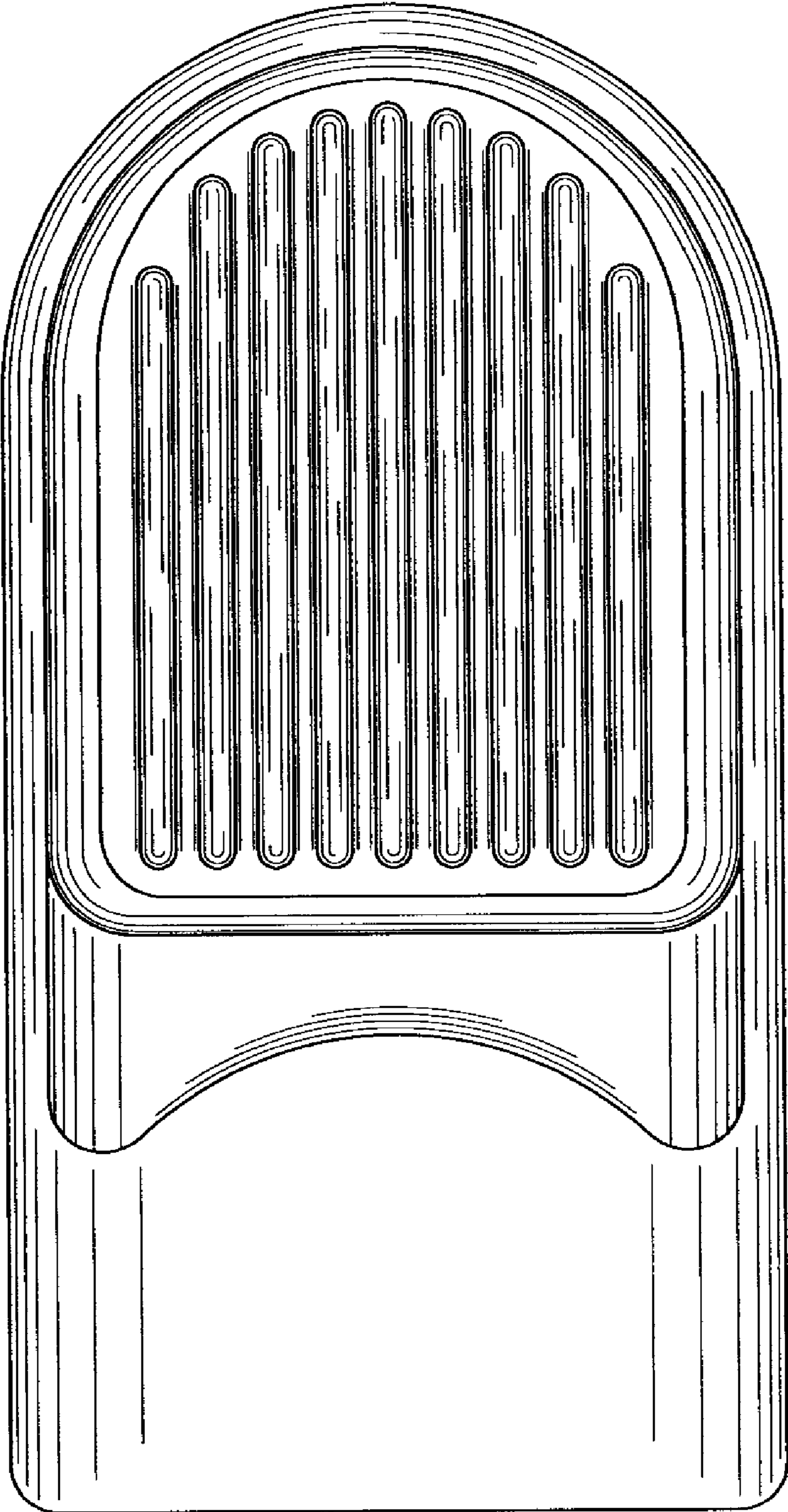


Fig. 10

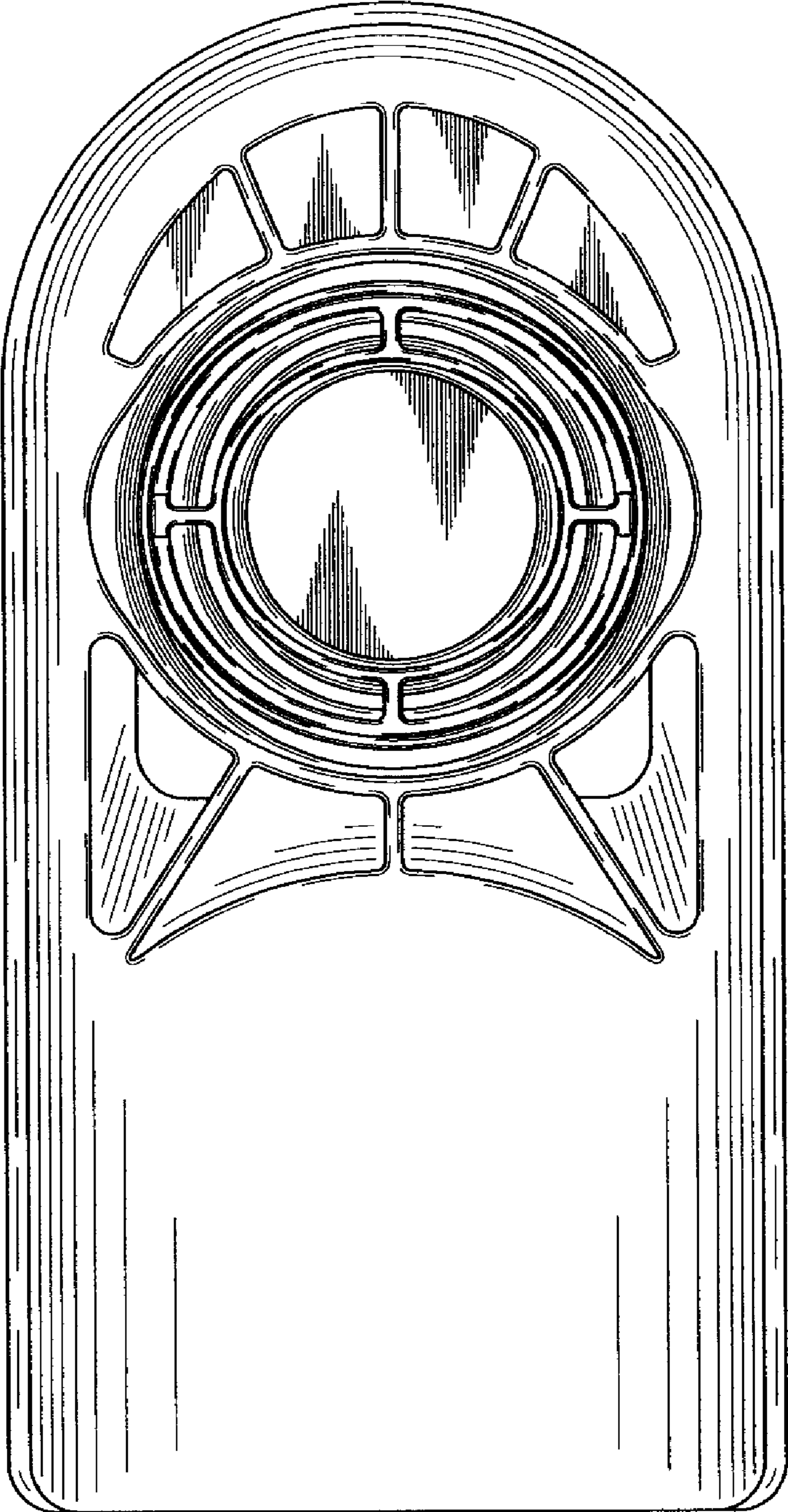


Fig. 11

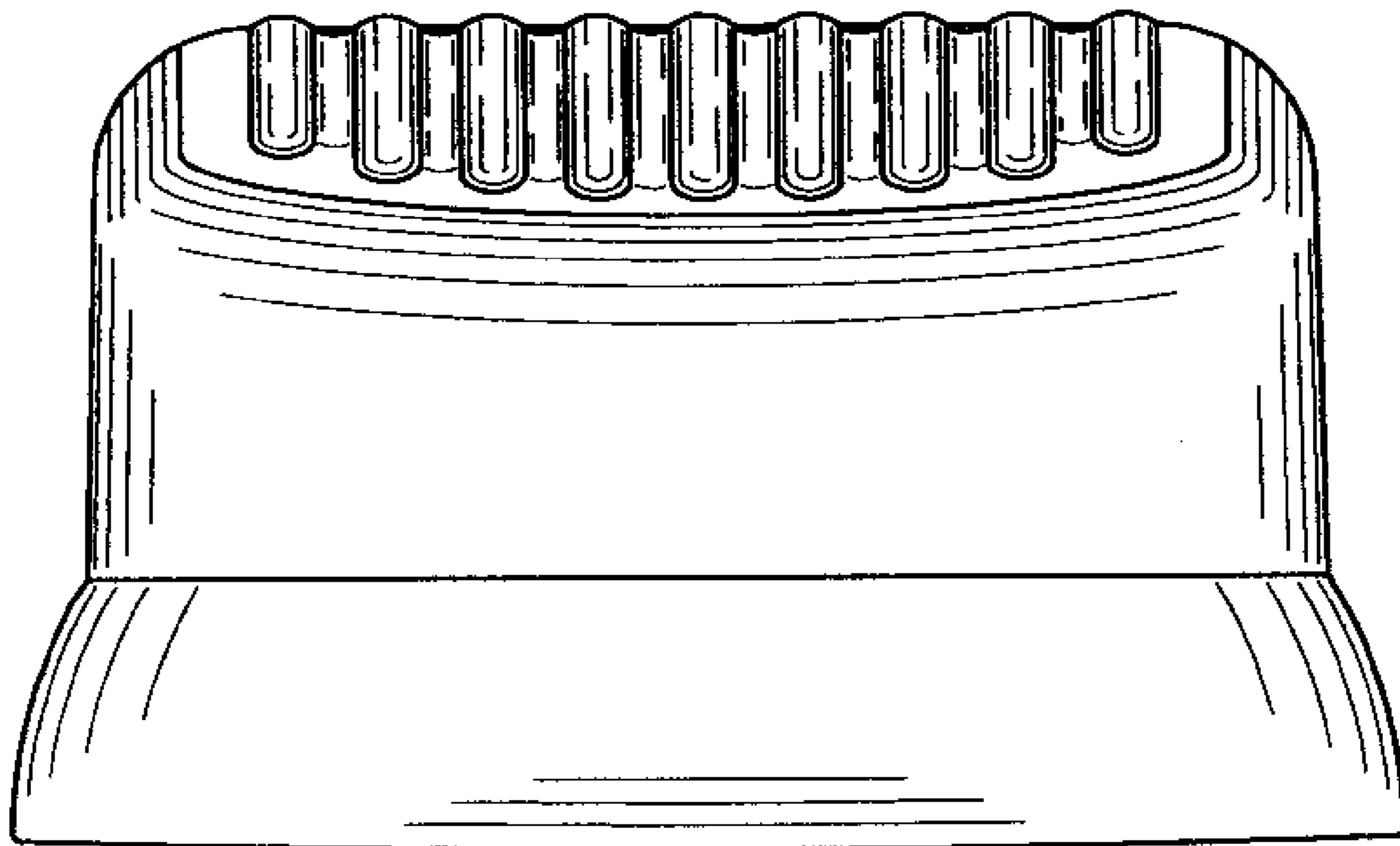


Fig. 12

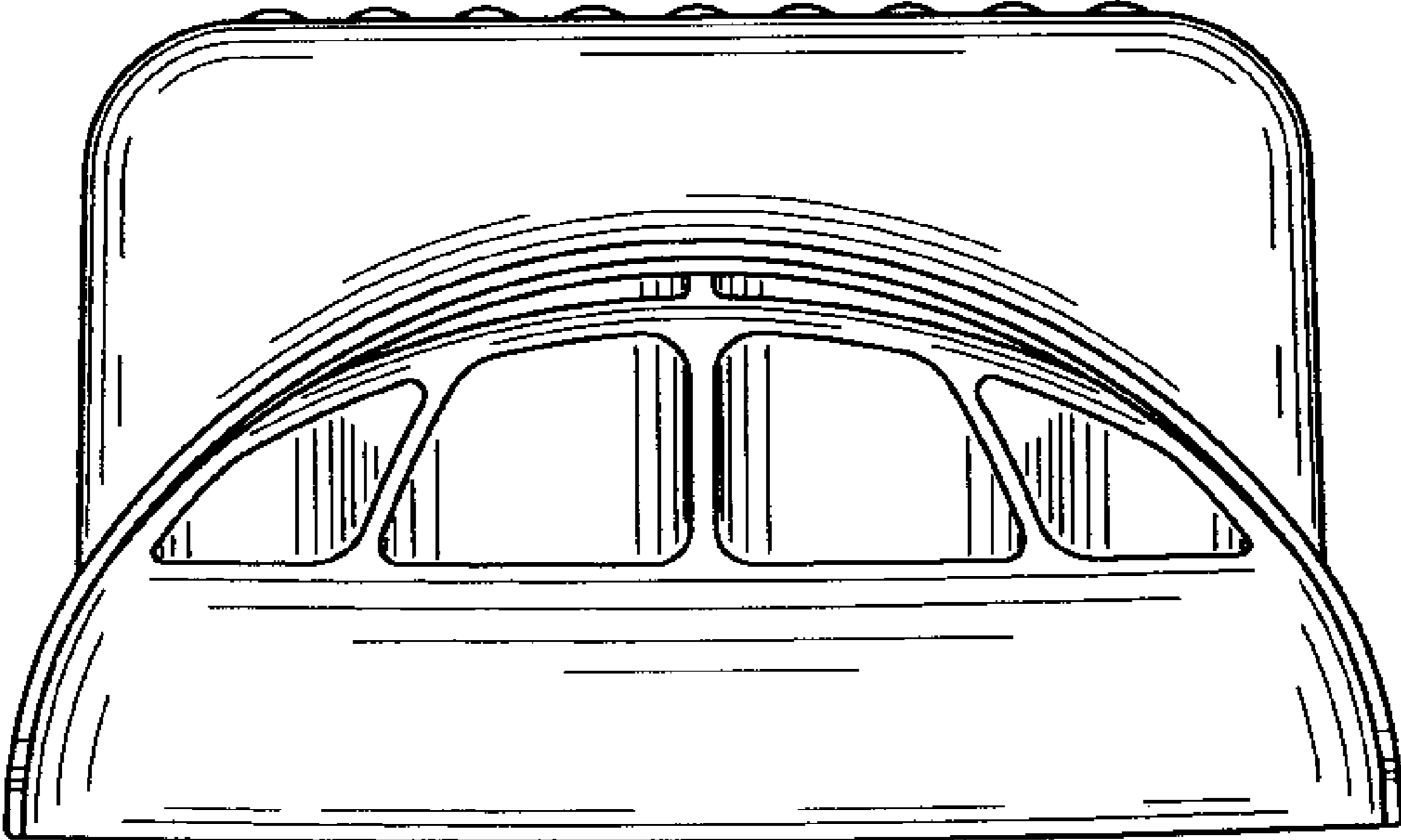


Fig. 13

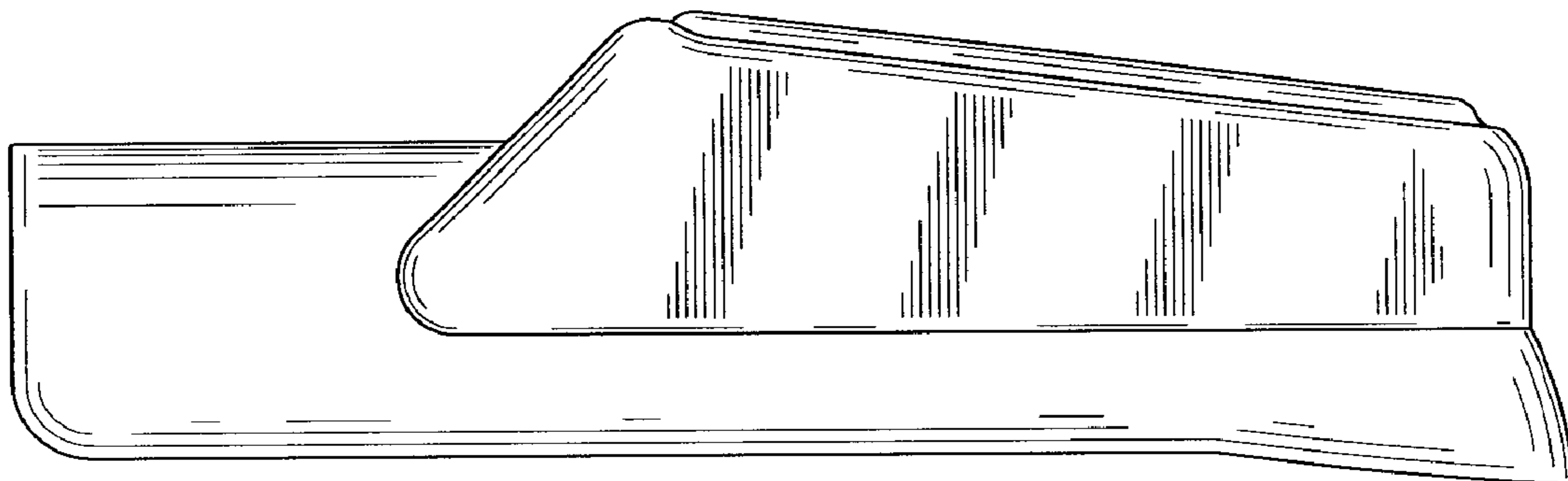


Fig. 14

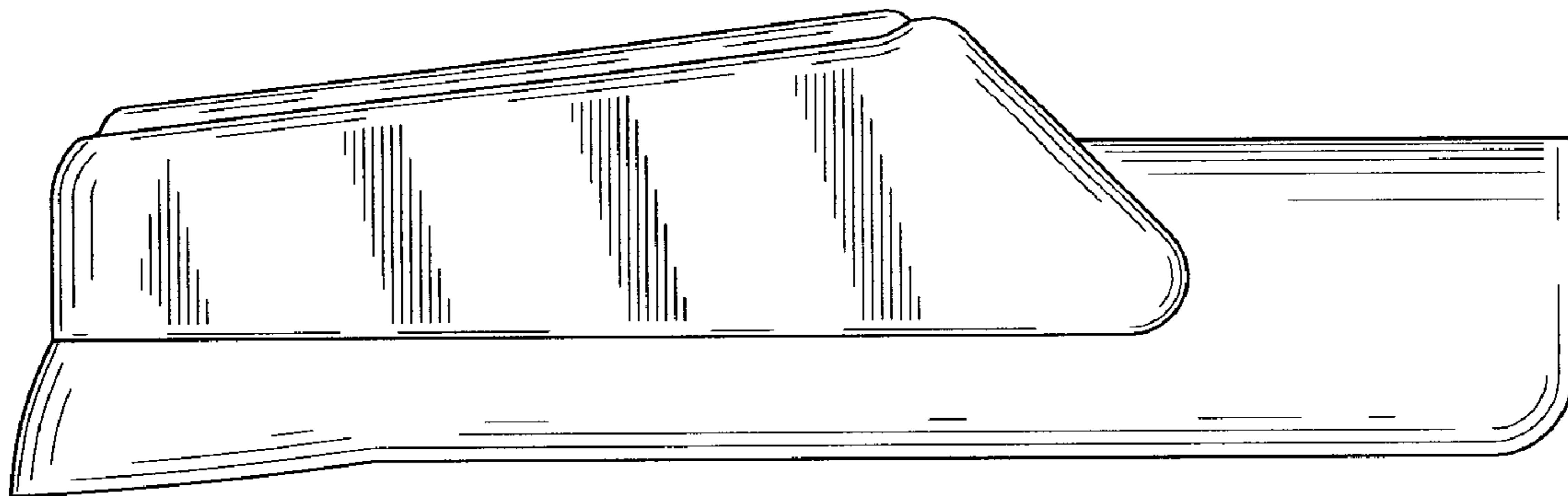


Fig. 15

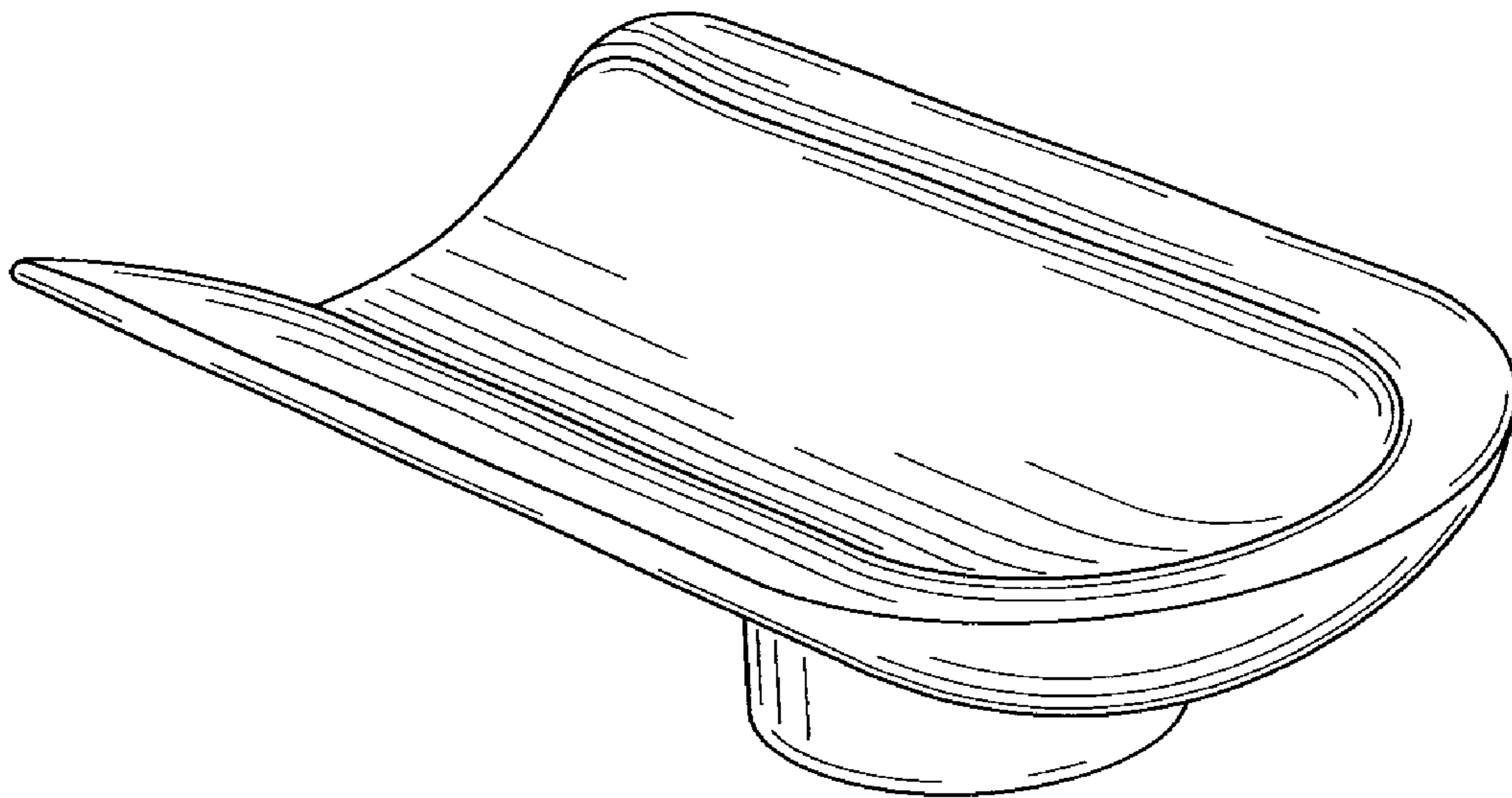


Fig. 16

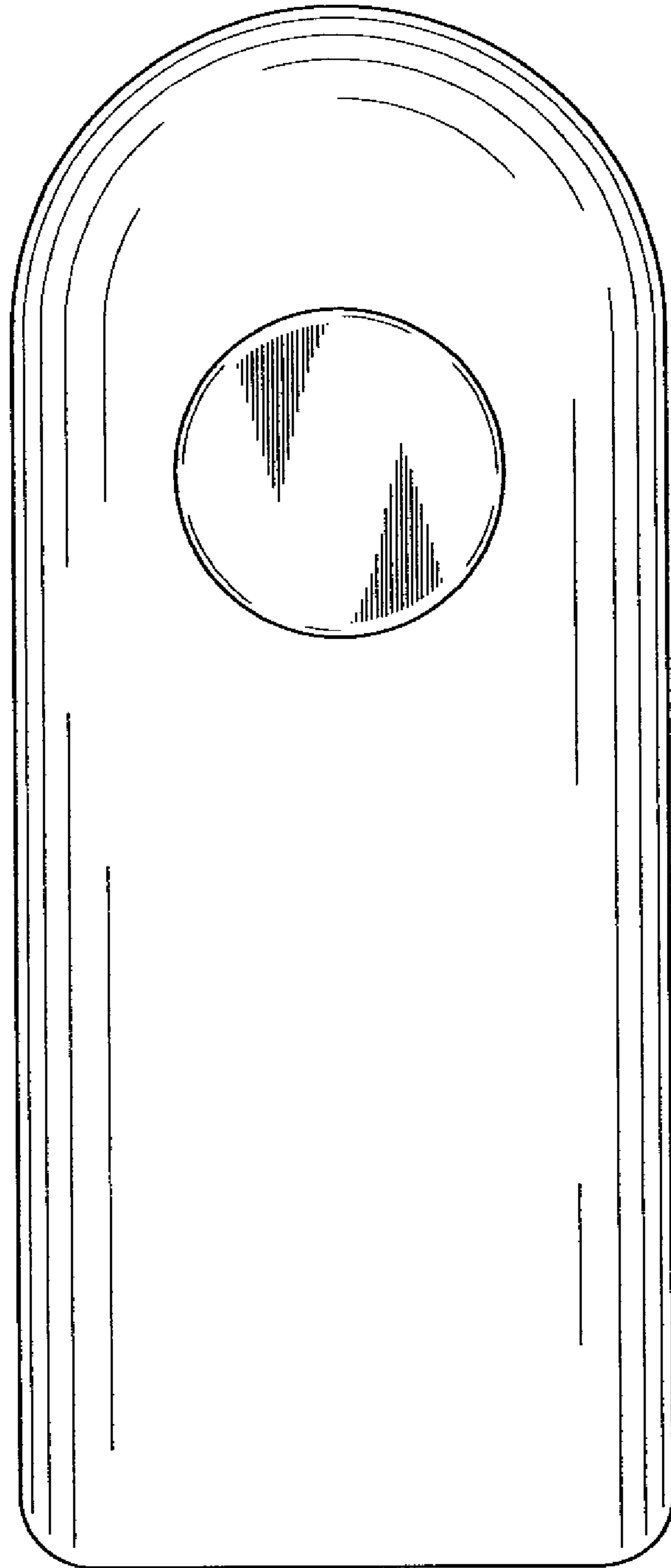


Fig. 17

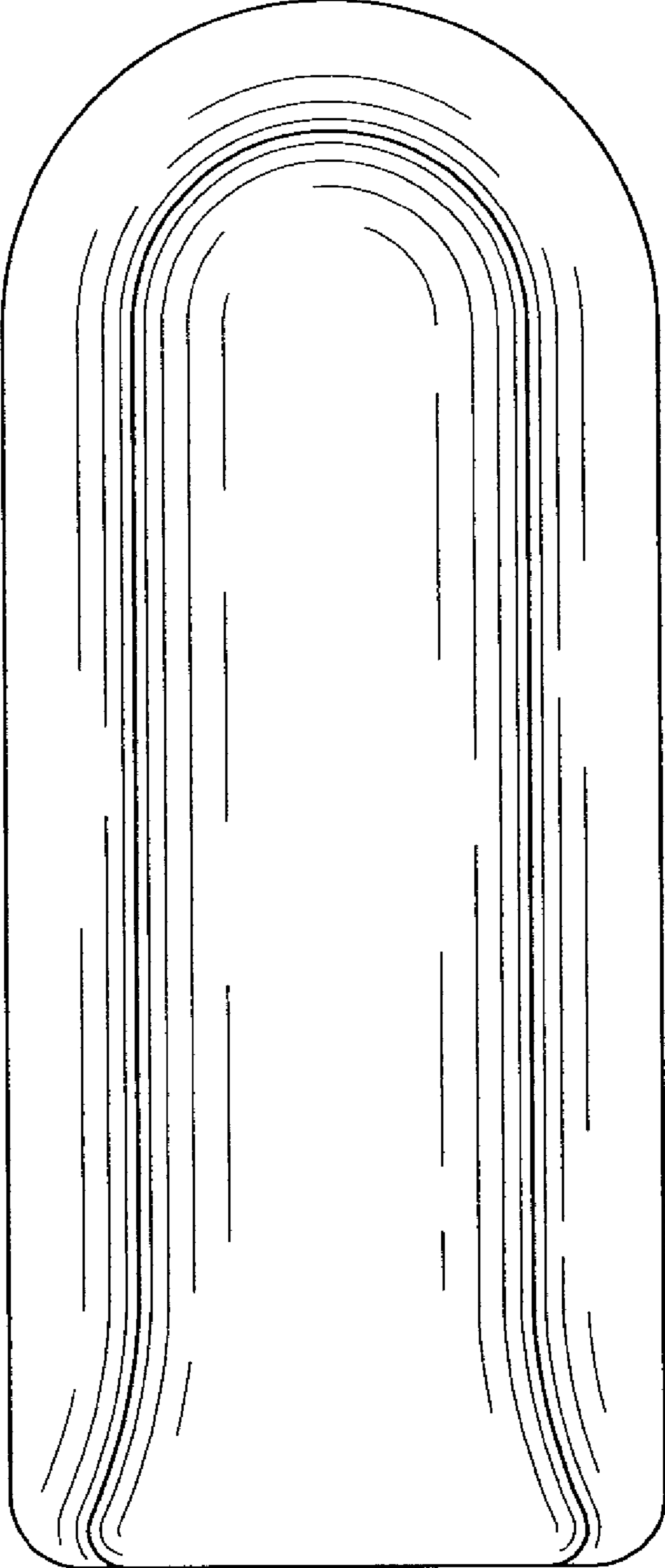


Fig. 18

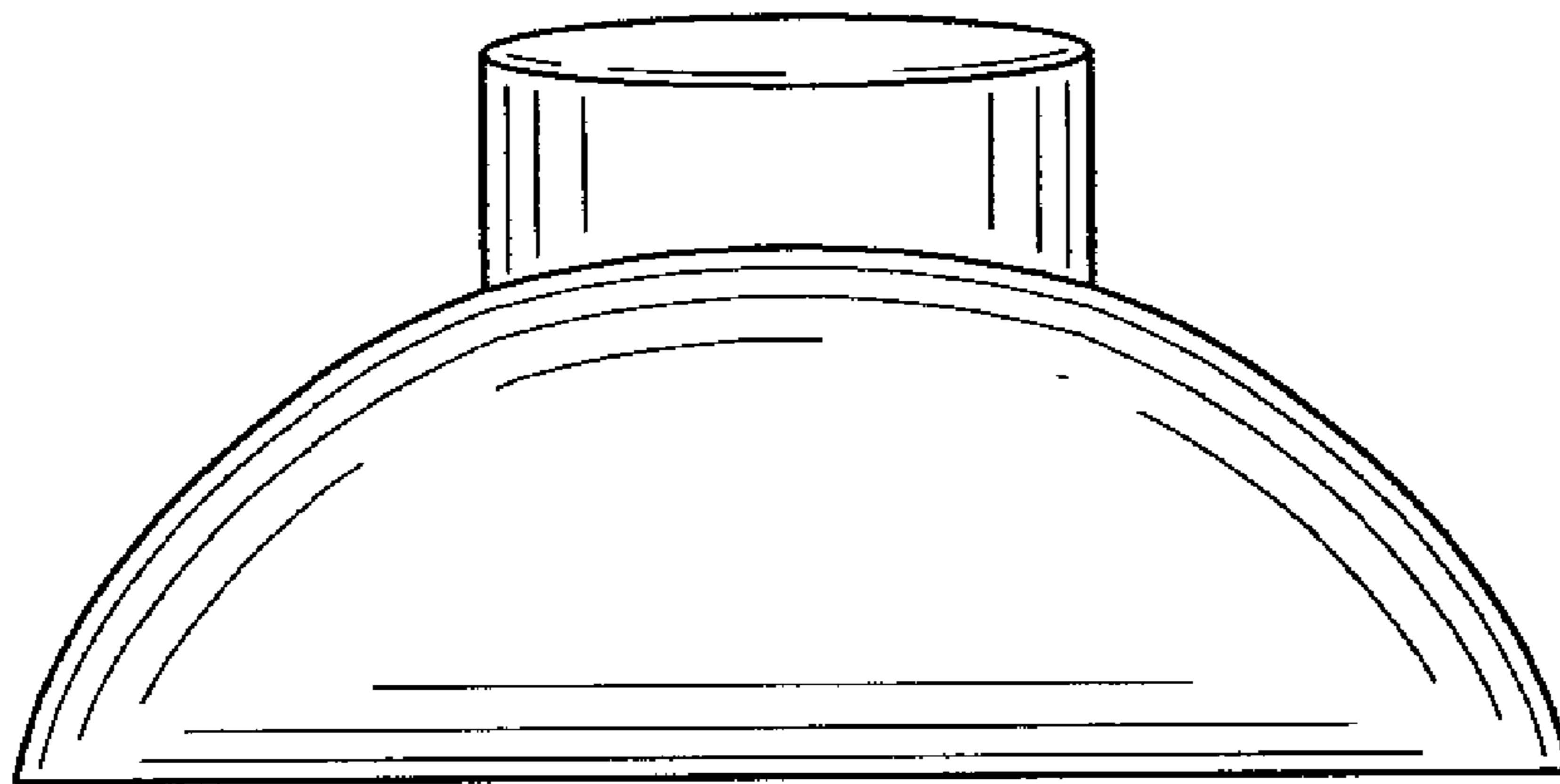


Fig. 19

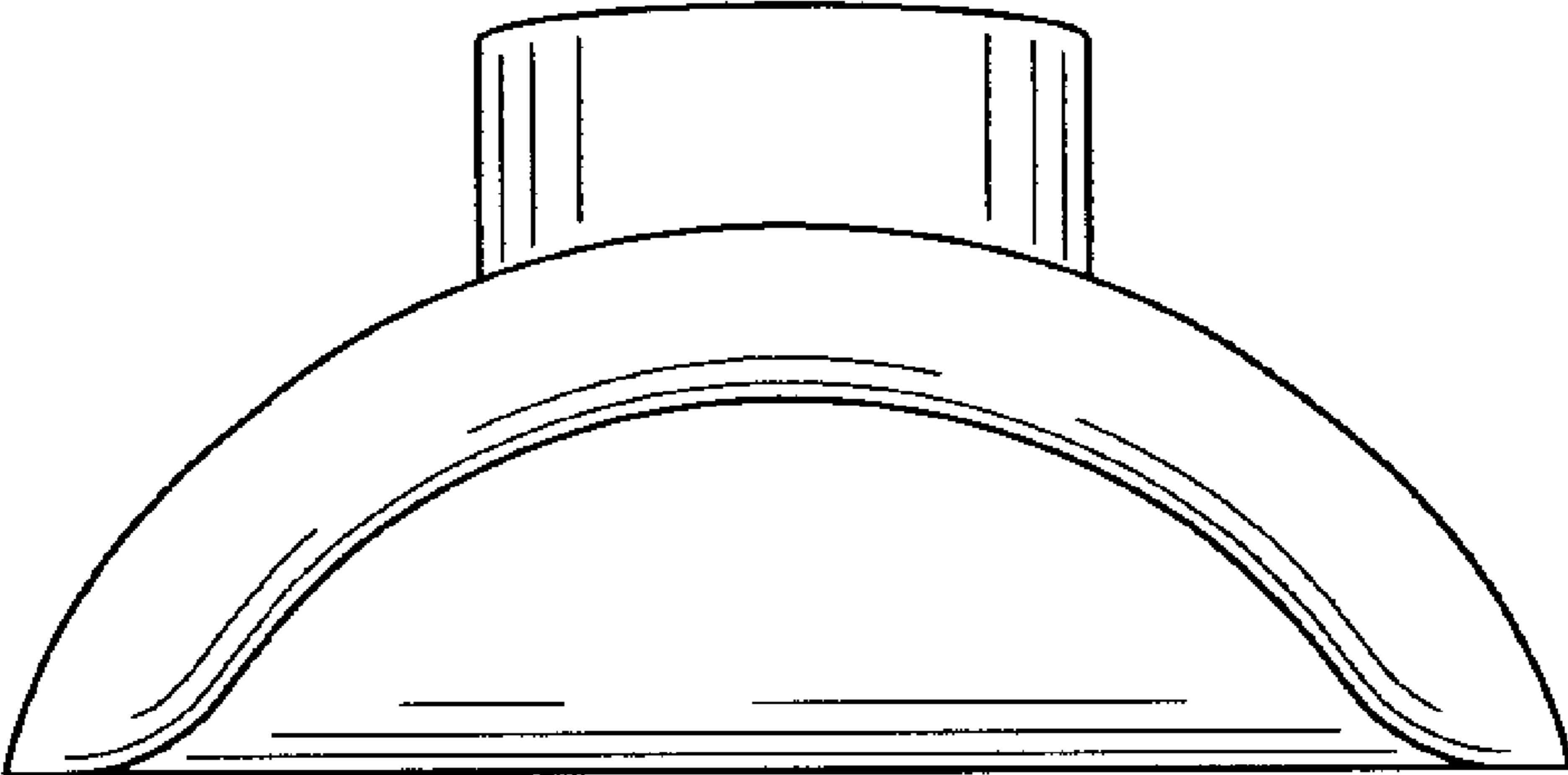


Fig. 20

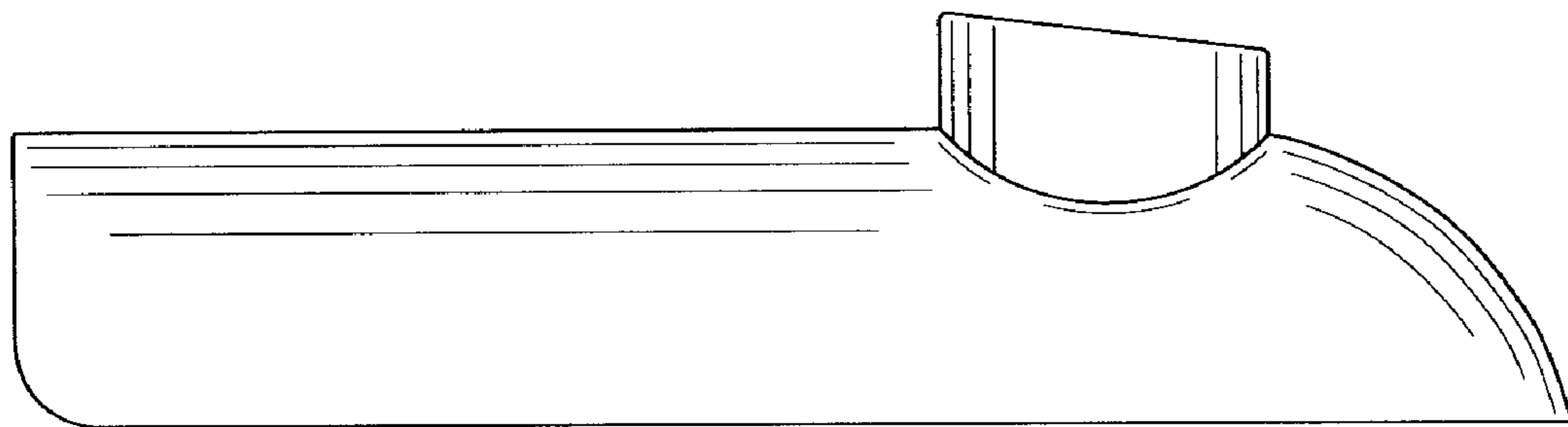


Fig. 21

