



US00D516251S

(12) **United States Design Patent**  
**Py et al.**

(10) **Patent No.:** **US D516,251 S**  
(45) **Date of Patent:** **\*\* Feb. 28, 2006**

- (54) **COSMETIC APPLICATOR**
- (75) Inventors: **Daniel Py**, Stamford, CT (US); **Julian V. Chan**, Spring Valley, NY (US); **Stephanie Ferreira**, Bridgeport, CT (US); **Gladys Valencia**, Stamford, CT (US)
- (73) Assignee: **Medical Instill Technologies, Inc.**, Stamford, CT (US)
- (\*\*) Term: **14 Years**
- (21) Appl. No.: **29/190,956**
- (22) Filed: **Sep. 29, 2003**
- (51) **LOC (8) Cl.** ..... **28-03**
- (52) **U.S. Cl.** ..... **D28/89**
- (58) **Field of Classification Search** ..... D28/7, D28/73, 85-90; D9/529; 132/218, 293-307, 132/313-318, 320; 401/68, 75, 88, 266  
See application file for complete search history.

(56) **References Cited**  
**U.S. PATENT DOCUMENTS**

1,471,091 A	10/1923	Bessesen
2,128,035 A	8/1938	Boetel
3,412,910 A	11/1968	Hahn
3,648,903 A	3/1972	Marchant
3,662,753 A	5/1972	Tassell
3,669,323 A	6/1972	Harker et al.
3,699,961 A	10/1972	Szpur
3,756,729 A	9/1973	Tufts
3,993,069 A	11/1976	Buckles et al.
4,002,516 A	1/1977	Gaborieau et al.
4,023,607 A	5/1977	Jensen et al.
4,050,459 A	9/1977	Sanchez
4,102,476 A	7/1978	Loeffler
4,141,474 A	2/1979	Nilson
4,185,628 A	1/1980	Kopfer
4,189,065 A	2/1980	Herold
4,233,262 A	11/1980	Curto
4,239,132 A	12/1980	Mueller et al.
4,240,465 A	12/1980	Rader

4,264,018 A	4/1981	Warren
D260,564 S	* 9/1981	Jedzinak et al. .... D28/89
4,367,739 A	1/1983	LeVeen et al.
D271,050 S	* 10/1983	Berkman ..... D28/77
4,420,100 A	12/1983	Mueller
4,458,830 A	7/1984	Werding
4,475,905 A	10/1984	Himmelstrup
4,479,578 A	10/1984	Brignola et al.
4,479,989 A	10/1984	Mahal
4,482,585 A	11/1984	Ohodaira et al.
4,493,348 A	1/1985	Lemmons
4,501,781 A	2/1985	Kushida et al.
4,513,891 A	4/1985	Hain et al.
4,526,294 A	7/1985	Hirschmann et al.
4,579,757 A	4/1986	Su et al.
4,624,594 A	11/1986	Sasaki et al.

(Continued)

**FOREIGN PATENT DOCUMENTS**

EP	0802827 B1	12/1998
EP	0649795 B1	6/1999
EP	0673852 B1	2/2000

*Primary Examiner*—Jennifer Rivard  
(74) *Attorney, Agent, or Firm*—McCarter & English, LLP

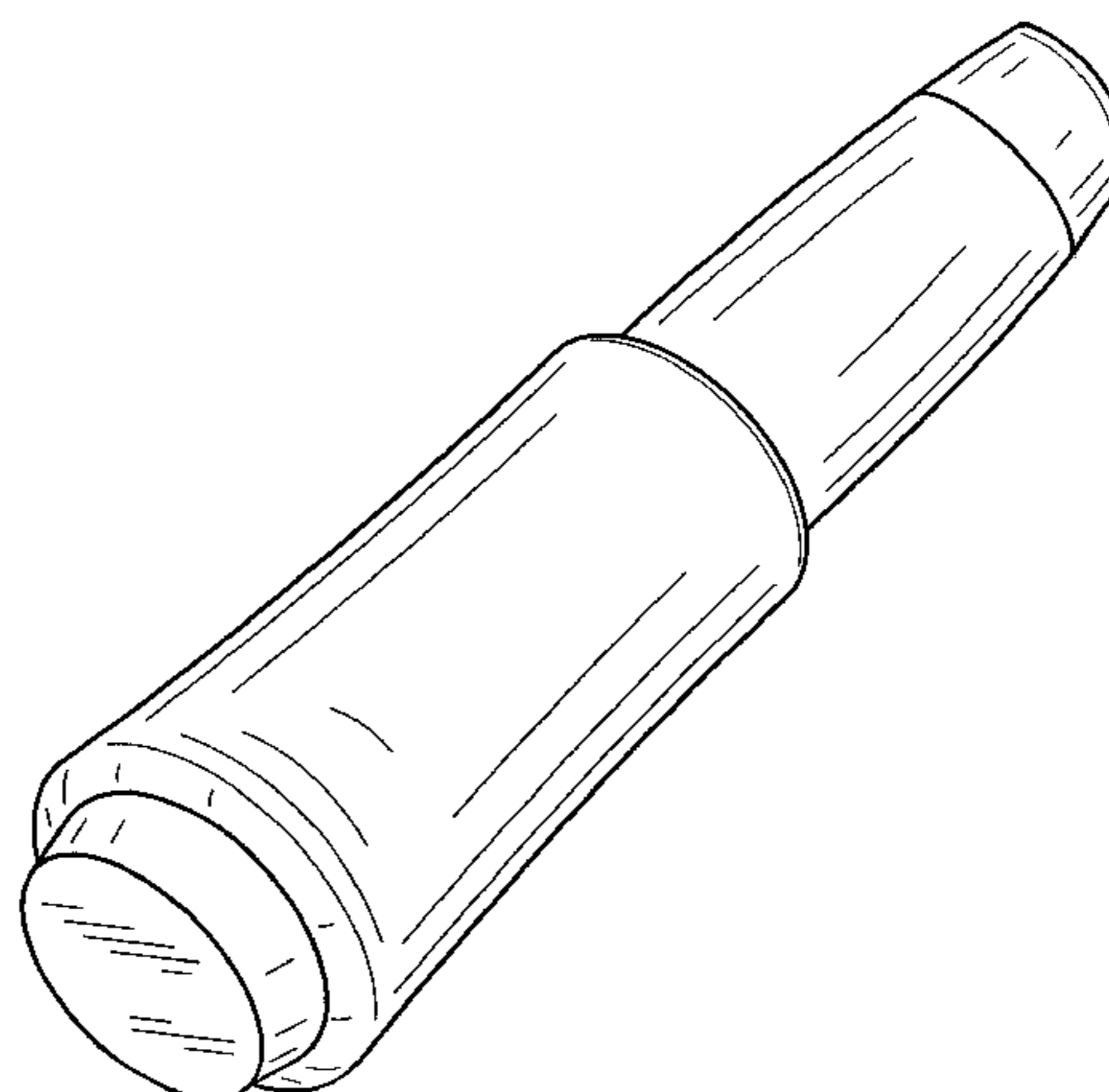
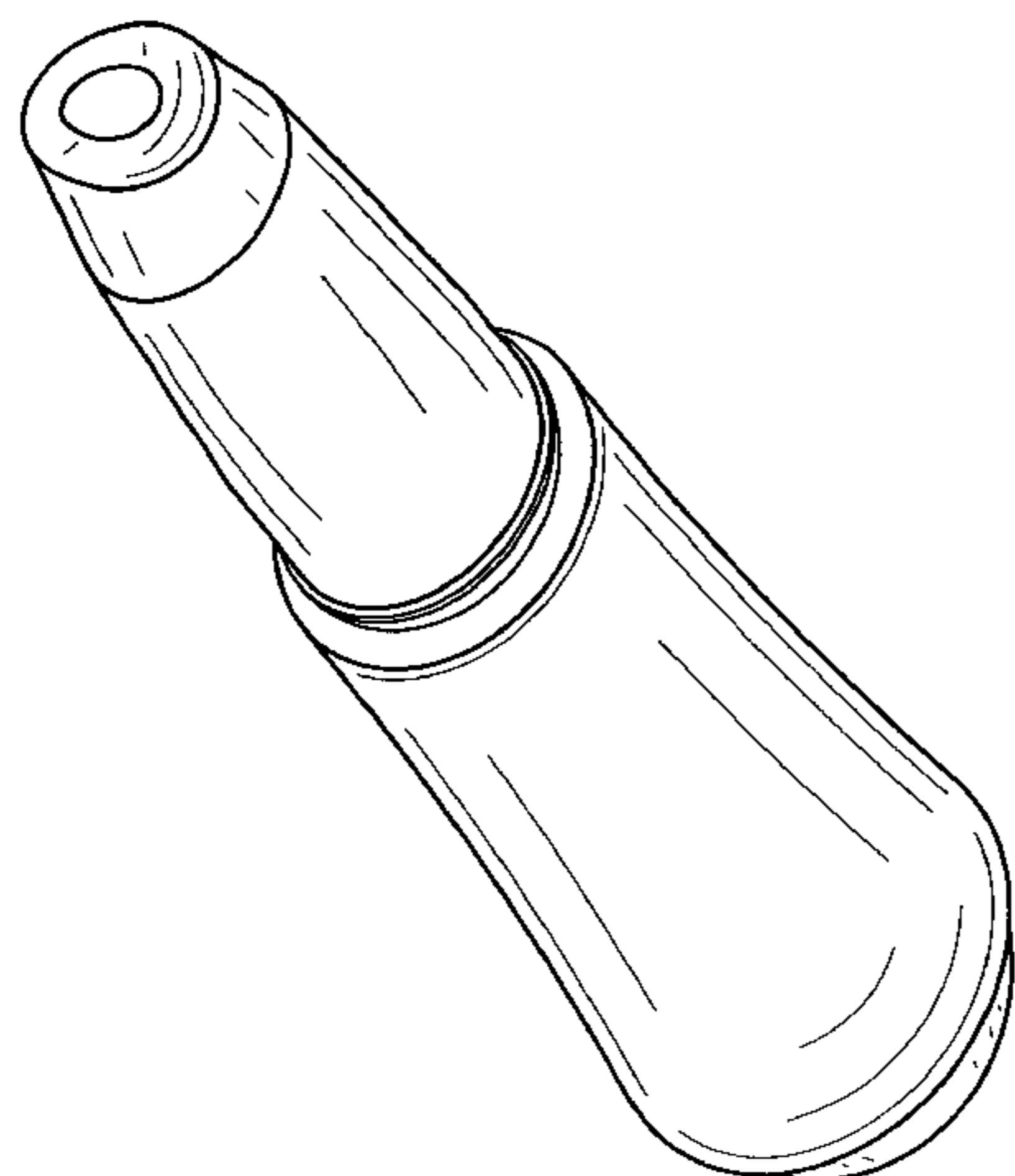
(57) **CLAIM**

The ornamental design for a cosmetic applicator, as shown and described.

**DESCRIPTION**

FIG. 1 is a top perspective view showing the cosmetic applicator;  
FIG. 2 is a bottom perspective view of the applicator of FIG. 1;  
FIG. 3 is a slightly reduced side elevational view of the applicator of FIG. 1;  
FIG. 4 is a slightly reduced front elevational view of the applicator of FIG. 1;  
FIG. 5 is an enlarged top plan view of the applicator of FIG. 1; and,  
FIG. 6 is a bottom plan view of the applicator of FIG. 1.

**1 Claim, 2 Drawing Sheets**



# US D516,251 S

U.S. PATENT DOCUMENTS					
4,636,412 A	1/1987	Field	5,676,267 A	10/1997	Slat et al.
4,643,723 A	2/1987	Smit	5,687,882 A	11/1997	Mueller
4,699,300 A	10/1987	Blake	5,692,651 A	12/1997	Fuchs
4,700,838 A	10/1987	Falciani et al.	5,702,019 A	12/1997	Grimard
D293,834 S	* 1/1988	White et al. .... D28/76	5,718,334 A	2/1998	Demel
4,737,148 A	4/1988	Blake	5,727,892 A	3/1998	Baudin
4,739,906 A	4/1988	LoTurco	5,728,075 A	3/1998	Levander
4,776,717 A	10/1988	Iizuka et al.	5,730,322 A	3/1998	Iba et al.
4,784,652 A	11/1988	Wikström	5,743,441 A	4/1998	Baudin et al.
4,842,165 A	6/1989	Van Coney	5,743,889 A	4/1998	Sams
4,854,481 A	8/1989	Bohl et al.	5,772,347 A	6/1998	Gueret
4,854,486 A	8/1989	Daley et al.	5,780,130 A	7/1998	Hansen et al.
4,865,591 A	9/1989	Sams	5,785,683 A	7/1998	Szapiro et al.
4,895,279 A	1/1990	Schultz	5,799,837 A	9/1998	Firestone et al.
4,903,741 A	2/1990	Ibanez	5,803,311 A	9/1998	Fuchs
4,910,147 A	3/1990	Bacehowski et al.	5,804,236 A	9/1998	Frisk
4,936,833 A	6/1990	Sams	5,823,397 A	10/1998	Gil
4,949,877 A	8/1990	Hanna et al.	5,829,900 A	* 11/1998	Brown et al. .... 401/68
4,962,868 A	10/1990	Borchard	5,829,901 A	11/1998	Brown et al.
4,973,181 A	* 11/1990	Jankewitz ..... 132/320	5,855,302 A	1/1999	Fisscher
4,973,318 A	11/1990	Holm et al.	5,876,372 A	3/1999	Grabenkort et al.
4,978,036 A	12/1990	Burd	5,879,095 A	3/1999	Gueret
5,033,647 A	7/1991	Smith et al.	5,879,336 A	3/1999	Brinon
5,083,416 A	1/1992	Schneider et al.	5,899,624 A	5/1999	Thompson
5,102,705 A	4/1992	Yammoto et al.	5,931,386 A	8/1999	Jouillat
5,108,007 A	4/1992	Smith et al.	5,934,500 A	8/1999	Cogger et al.
5,178,300 A	1/1993	Haviv et al.	RE36,410 E	11/1999	Meshberg
5,183,349 A	* 2/1993	Kamen ..... 401/88	6,004,298 A	12/1999	Levander
5,197,638 A	3/1993	Wood	6,050,444 A	4/2000	Sugg
5,226,568 A	7/1993	Newton et al.	6,053,370 A	4/2000	Ludbrook et al.
5,226,895 A	7/1993	Harris	D425,669 S	* 5/2000	Gavin ..... D28/85
5,238,153 A	8/1993	Castillo et al.	6,062,430 A	5/2000	Fuchs
5,244,465 A	9/1993	Michel	6,062,437 A	5/2000	Mascitelli
5,253,785 A	10/1993	Haber et al.	6,083,201 A	7/2000	Skinkle
5,290,260 A	3/1994	Stines	6,083,450 A	7/2000	Safian
5,318,204 A	6/1994	Davis et al.	D433,192 S	* 10/2000	Gavin ..... D28/85
5,320,256 A	6/1994	Wood	6,145,707 A	11/2000	Baudin
5,332,121 A	7/1994	Schmidt et al.	6,170,705 B1	1/2001	Schneider et al.
5,339,972 A	8/1994	Crosnier et al.	6,186,686 B1	2/2001	Neuner et al.
D350,899 S	* 9/1994	Vasas ..... D28/76	6,200,047 B1	3/2001	Holloway
5,360,145 A	11/1994	Gueret	6,202,901 B1	3/2001	Gerber et al.
5,416,303 A	5/1995	Grooms et al.	6,234,363 B1	5/2001	Stradella
5,419,465 A	5/1995	Schroeder	6,254,579 B1	7/2001	Cogger et al.
5,425,465 A	6/1995	Healy	D447,602 S	* 9/2001	Dumler et al. .... D28/76
5,429,254 A	7/1995	Christine	6,325,253 B1	12/2001	Robinson
5,489,026 A	2/1996	D'Aloia	6,338,442 B1	1/2002	De Laforcade
5,489,027 A	2/1996	Goerigk	6,343,713 B1	2/2002	Abplanalp
RE35,187 E	3/1996	Gortz	6,351,924 B1	3/2002	Gustafsson et al.
5,497,910 A	3/1996	Meadows et al.	6,357,945 B1	3/2002	Losier et al.
D370,089 S	* 5/1996	Faverio ..... D28/88	6,371,129 B1	4/2002	Le Bras-Brown et al.
5,545,147 A	8/1996	Harris	6,383,167 B2	5/2002	Kirchhofer et al.
5,556,678 A	9/1996	Jupin et al.	6,386,395 B1	5/2002	Lunghetti
5,562,960 A	10/1996	Sugiura et al.	6,419,412 B1	7/2002	Ostrowski et al.
5,564,596 A	10/1996	Meadows et al.	6,446,844 B1	9/2002	Gross
5,565,160 A	10/1996	Makuuchi et al.	6,450,994 B1	9/2002	Boyles et al.
5,582,330 A	12/1996	Iba	6,502,725 B1	1/2003	Alexander
5,582,598 A	12/1996	Chanoch	6,533,482 B1	3/2003	Byun
5,591,136 A	1/1997	Gabriel	D472,812 S	* 4/2003	Lerolle ..... D28/88
D377,848 S	* 2/1997	Gavin ..... D28/85	D473,974 S	* 4/2003	Fuller ..... D28/89
5,609,273 A	3/1997	Firestone et al.	D480,513 S	* 10/2003	Fuller ..... D28/85
5,615,795 A	4/1997	Tipps	D491,691 S	* 6/2004	Braaten et al. .... D28/76
5,630,800 A	5/1997	Blank et al.	2001/0009990 A1	7/2001	Hostettler et al.
5,636,930 A	6/1997	Holloway	2002/0071708 A1	6/2002	Fontanet et al.
5,641,004 A	6/1997	Py	2003/0168076 A1	* 9/2003	Vieu et al. .... 132/317
5,664,704 A	9/1997	Meadows et al.			

\* cited by examiner

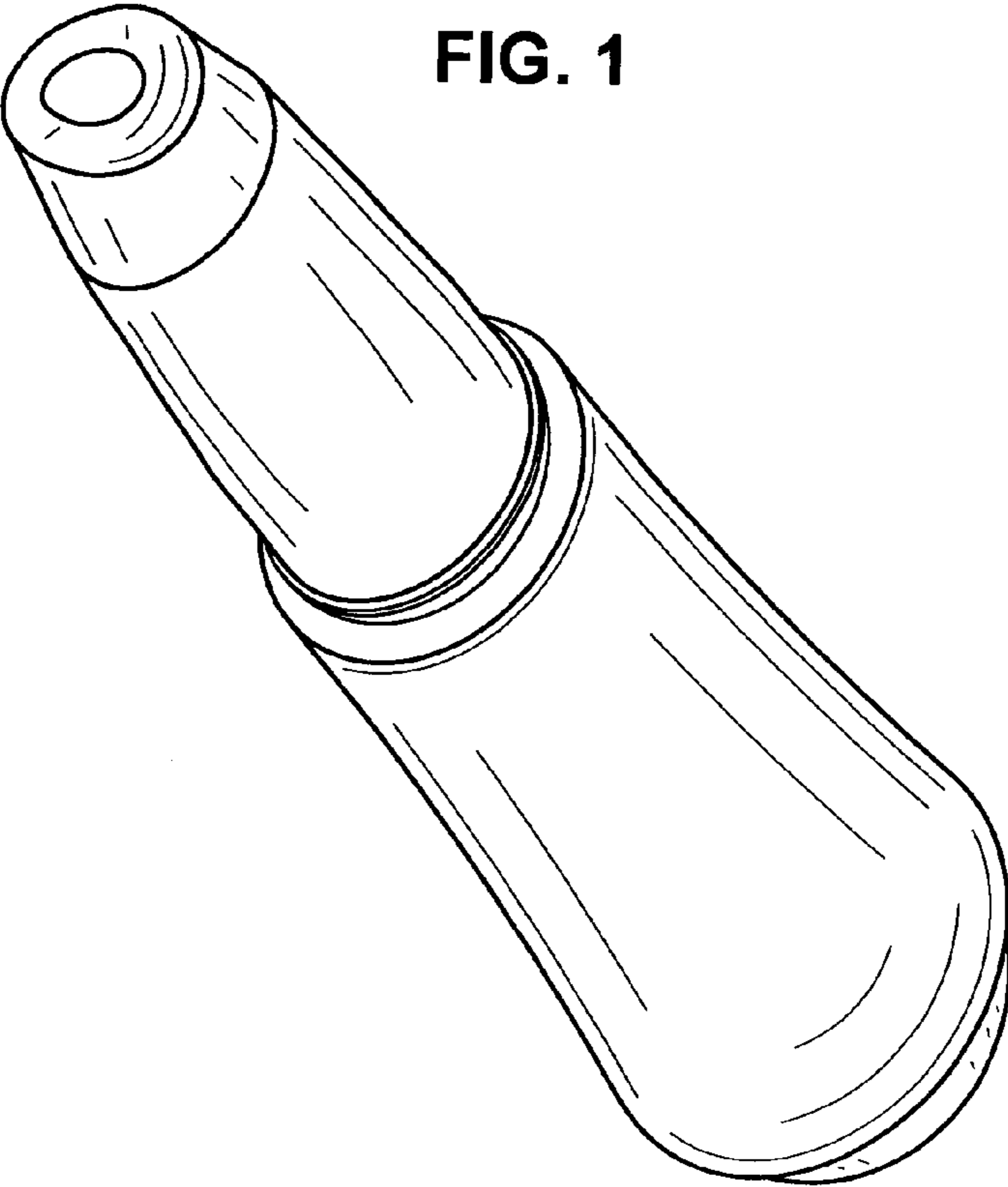


FIG. 1

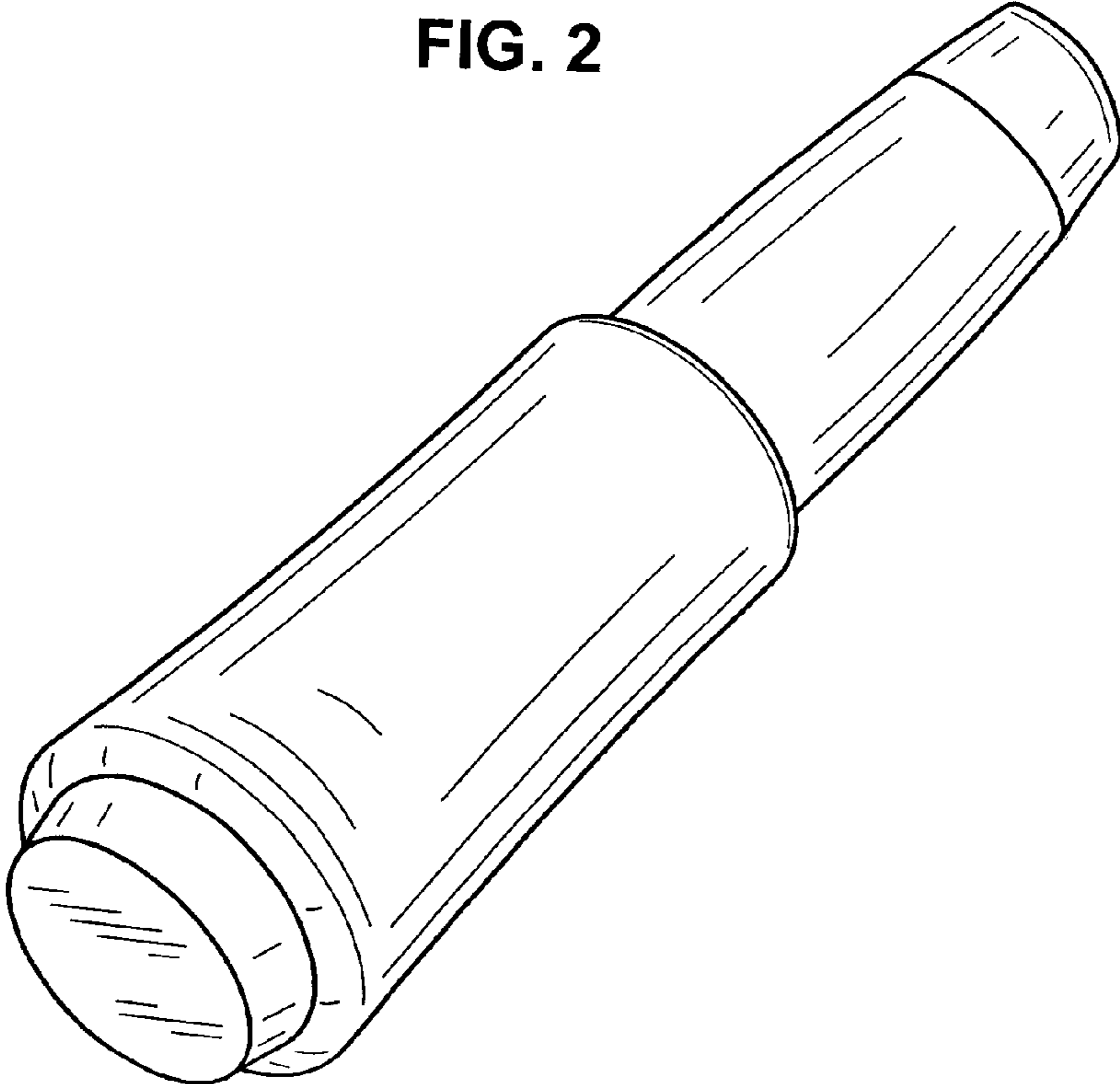
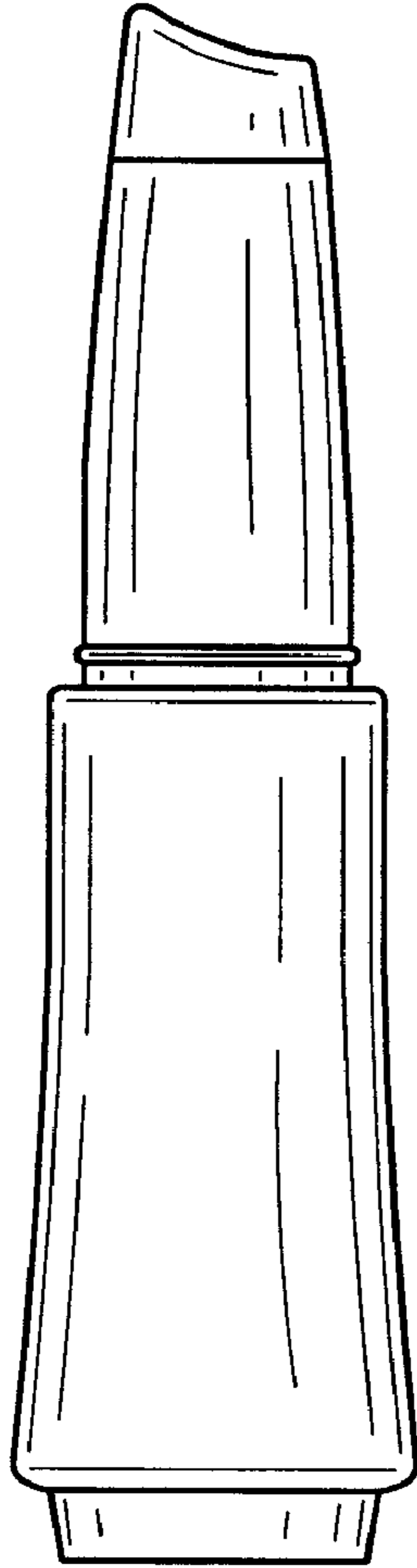
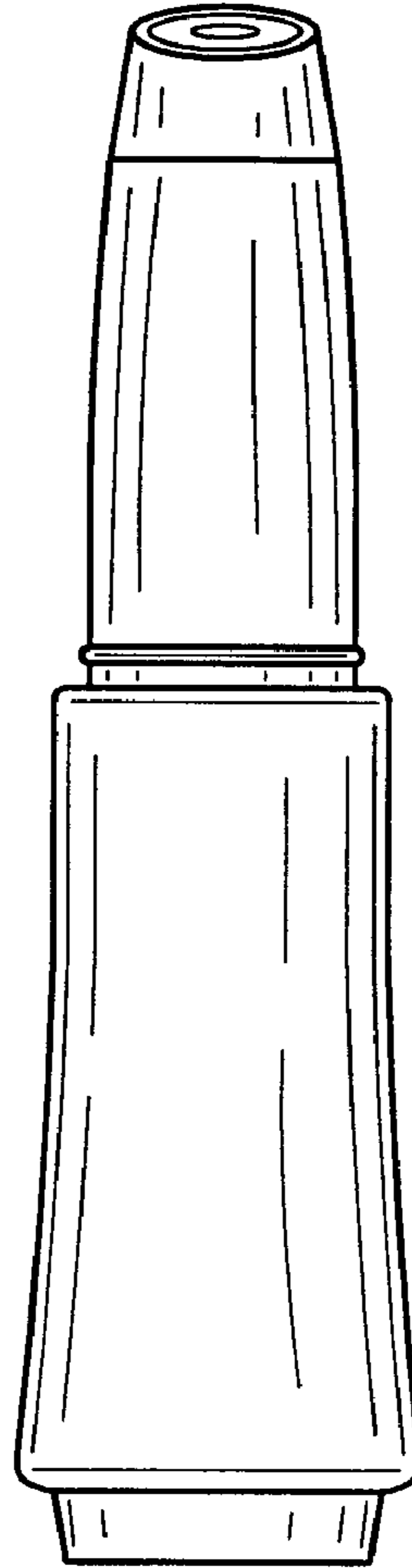


FIG. 2

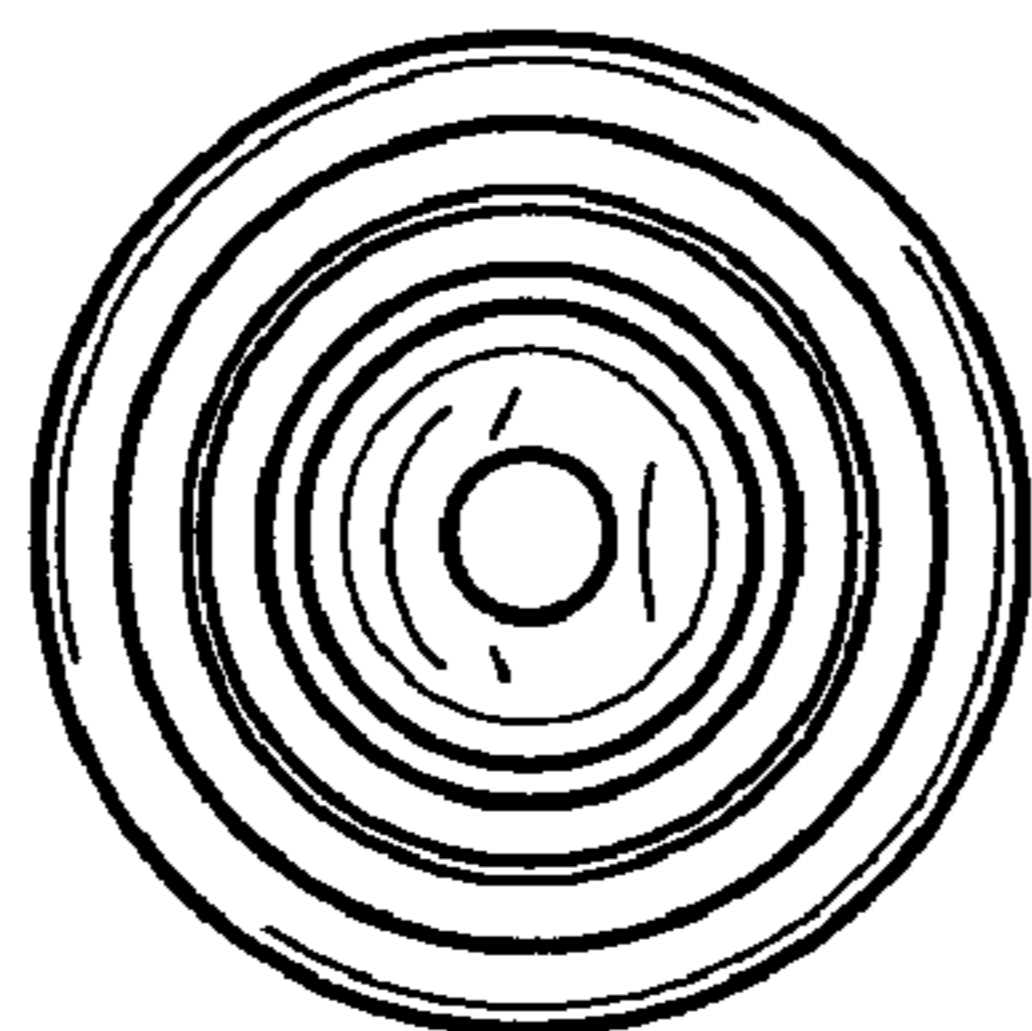
**FIG. 3**



**FIG. 4**



**FIG. 5**



**FIG. 6**

