



US00D516243S

(12) **United States Design Patent**
Nakasuka

(10) **Patent No.:** **US D516,243 S**

(45) **Date of Patent:** **** Feb. 28, 2006**

(54) **REPLACEABLE RAZOR CARTRIDGE**

(75) Inventor: **Hiroyuki Nakasuka, Seki (JP)**

(73) Assignee: **Kai R & D Center Co., Ltd., Gifu (JP)**

(**) Term: **14 Years**

(21) Appl. No.: **29/206,610**

(22) Filed: **Jun. 1, 2004**

(30) **Foreign Application Priority Data**

Dec. 2, 2003 (JP) 2003-035808

(51) **LOC (8) Cl.** **28-03**

(52) **U.S. Cl.** **D28/47**

(58) **Field of Classification Search** D28/44-48;
30/32, 34.2, 47-49, 50-51, 77, 81, 346.57
See application file for complete search history.

(56) **References Cited**

U.S. PATENT DOCUMENTS

- 4,777,722 A * 10/1988 Trotta 30/77
- 5,092,042 A * 3/1992 Miller et al. 30/77
- 5,191,712 A * 3/1993 Crook et al. 30/34.2
- 5,551,152 A * 9/1996 Tseng 30/32
- D472,017 S * 3/2003 Kite et al. D28/47

- 6,550,141 B1 * 4/2003 Rivers et al. 30/346.57
- D499,843 S * 12/2004 Nakasuka D28/47
- 2004/0139612 A1 * 7/2004 Mehta 30/41

* cited by examiner

Primary Examiner—Jennifer Rivard

(74) *Attorney, Agent, or Firm*—Koda & Androlia

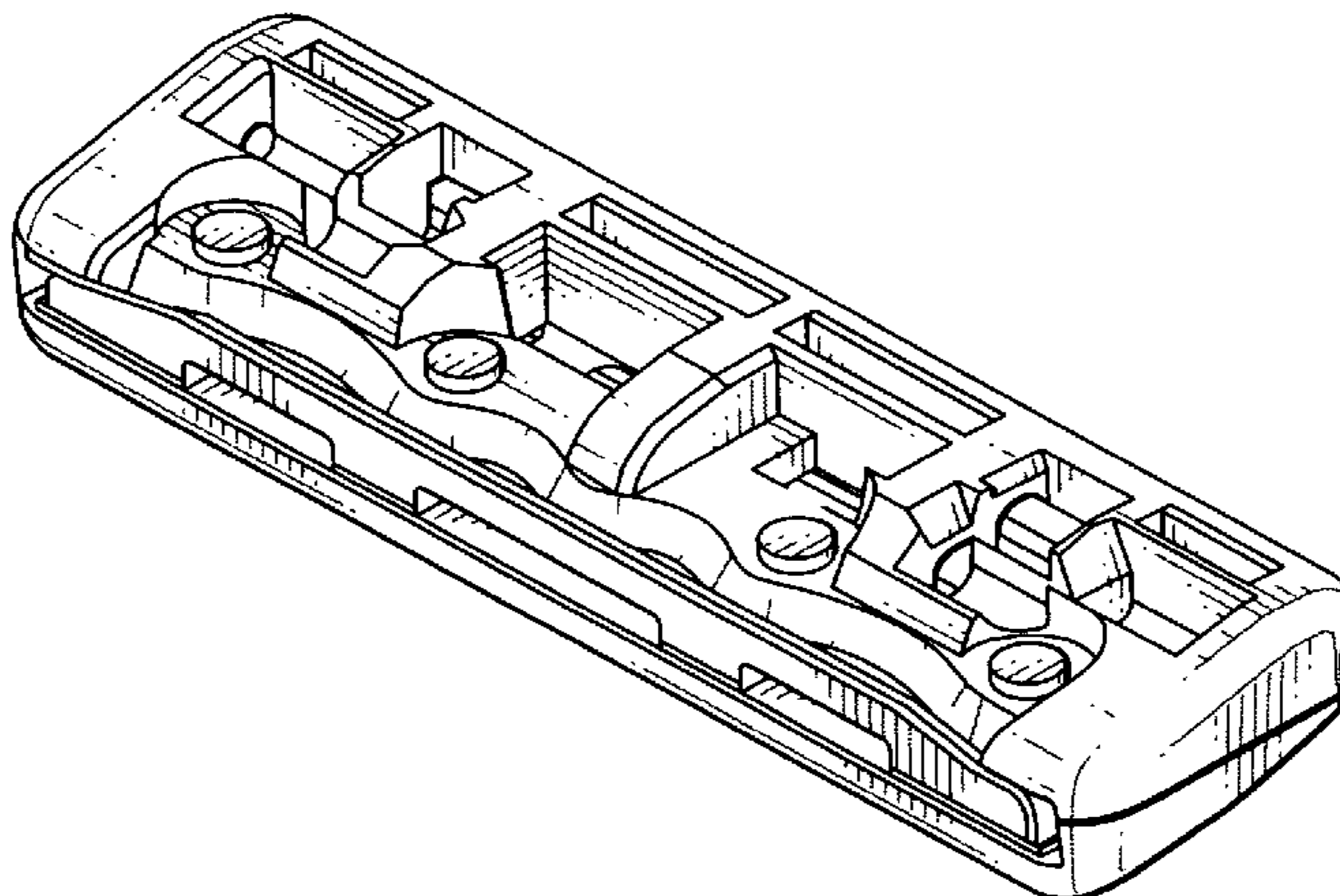
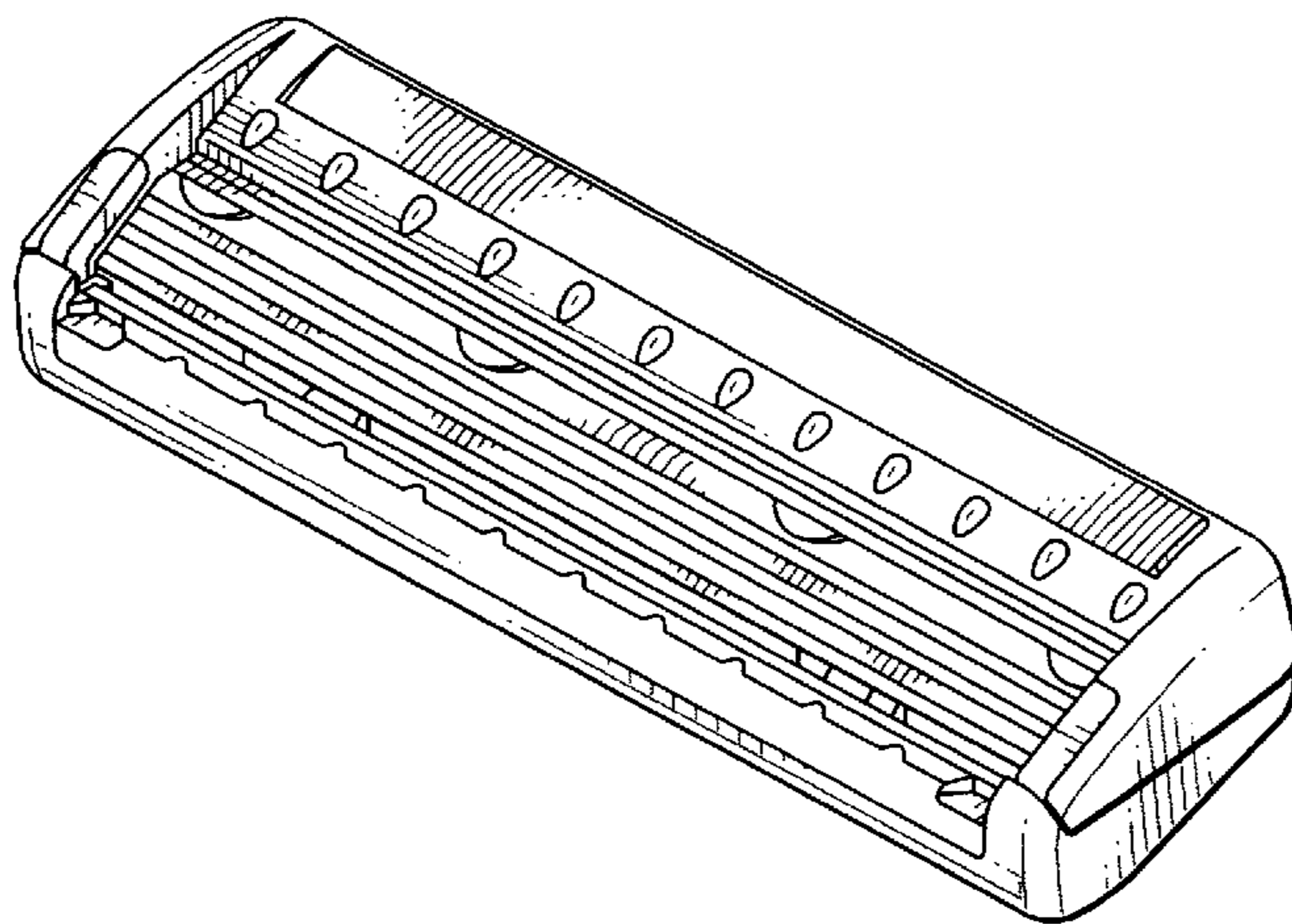
(57) **CLAIM**

The ornamental design for a replaceable razor cartridge, as shown and described.

DESCRIPTION

FIG. 1 is a front elevational view of the replaceable razor cartridge, showing my new design;
 FIG. 2 is a rear elevational view thereof;
 FIG. 3 is a top plan view thereof;
 FIG. 4 is a bottom plan view thereof;
 FIG. 5 is a right side elevational view thereof, the left side elevational view being the mirror image of the right side elevational view;
 FIG. 6 is a perspective view of the replaceable razor cartridge taken from the front, bottom and right side thereof; and,
 FIG. 7 is a rear perspective view of the replaceable razor cartridge.

1 Claim, 3 Drawing Sheets



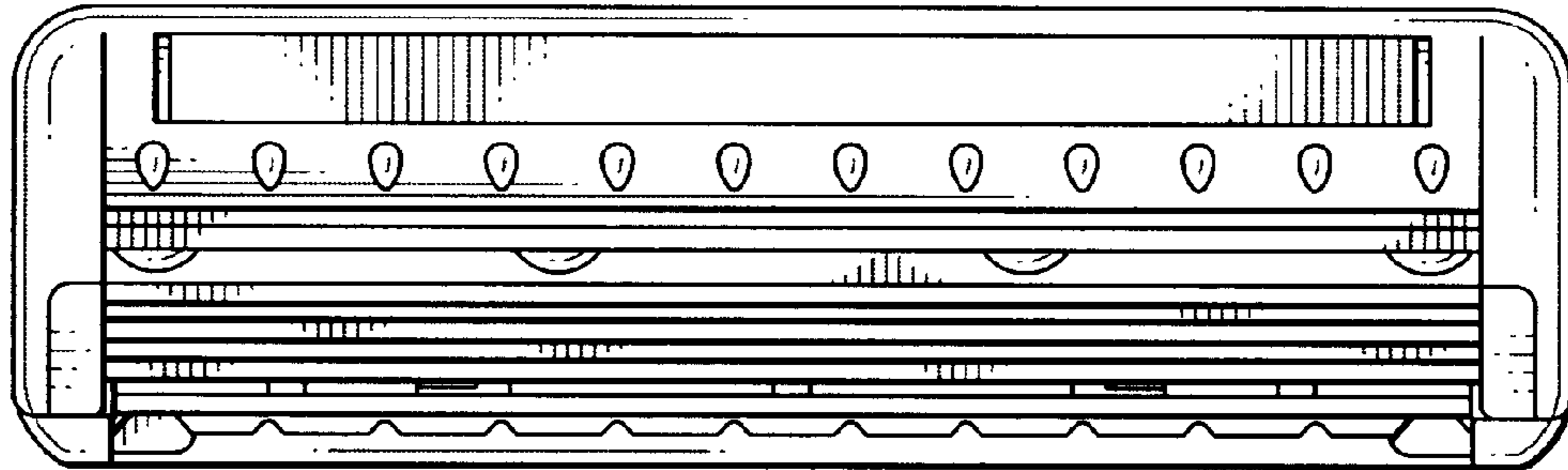


FIG. 1

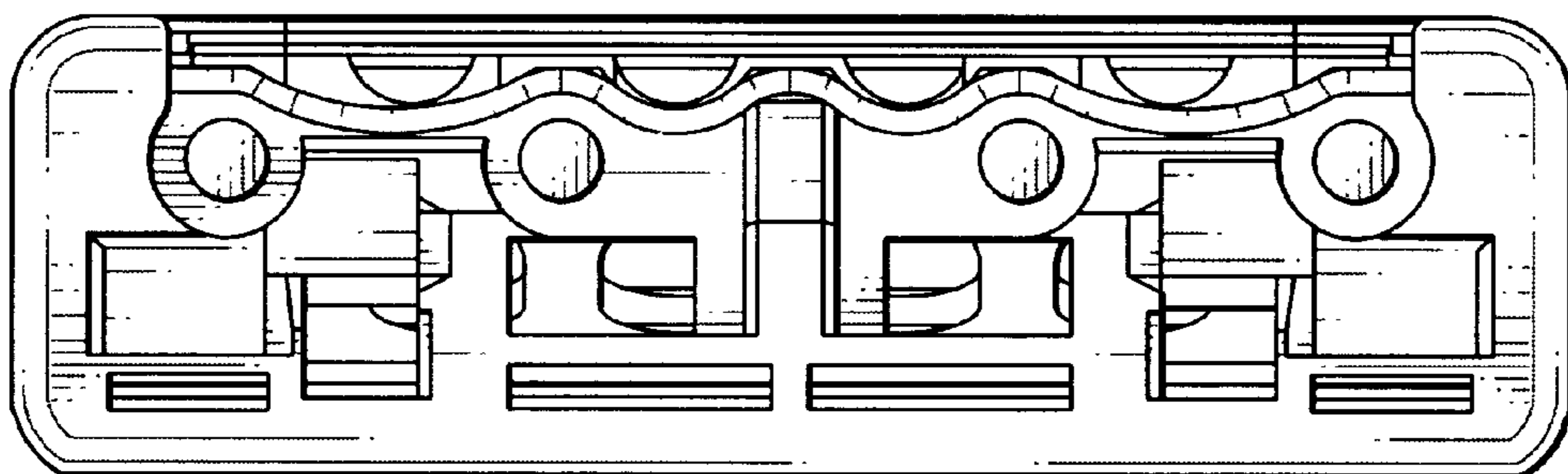


FIG. 2

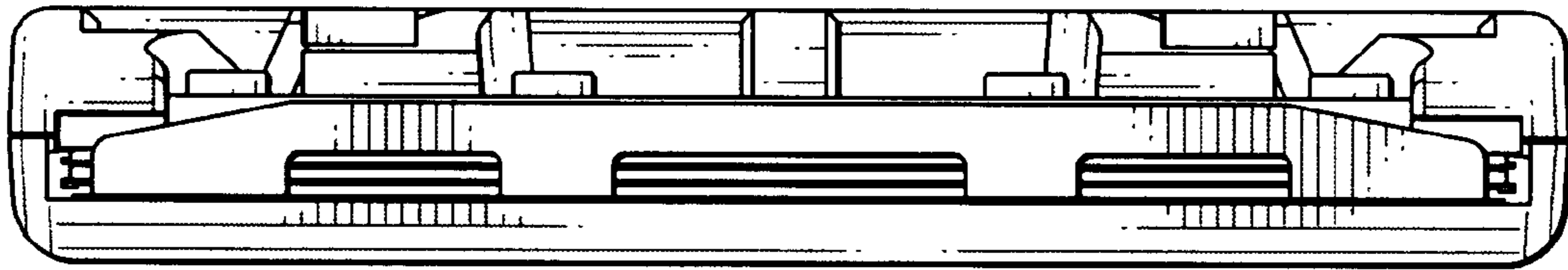


FIG. 3

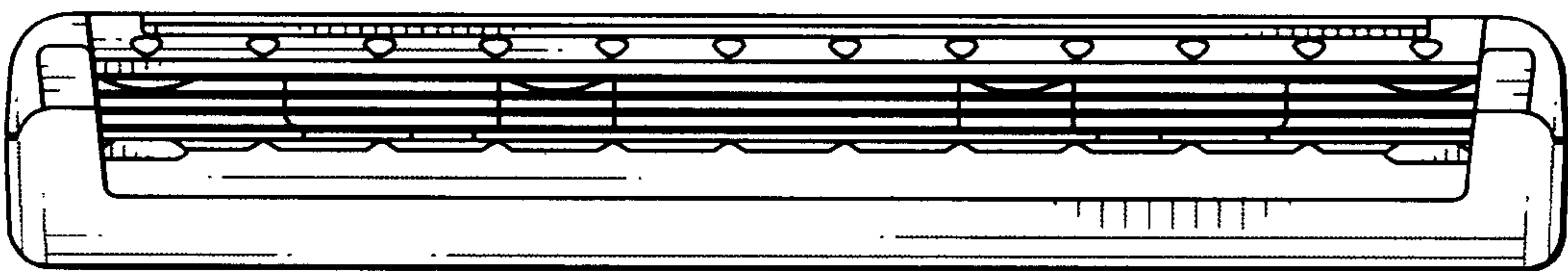


FIG. 4

FIG. 5

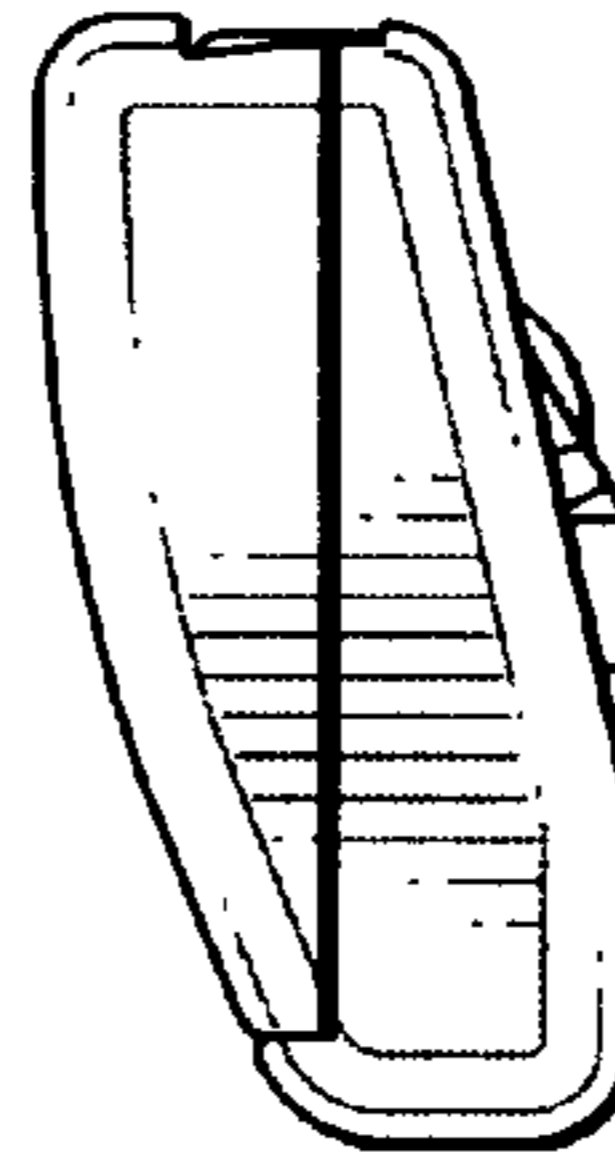


FIG. 6

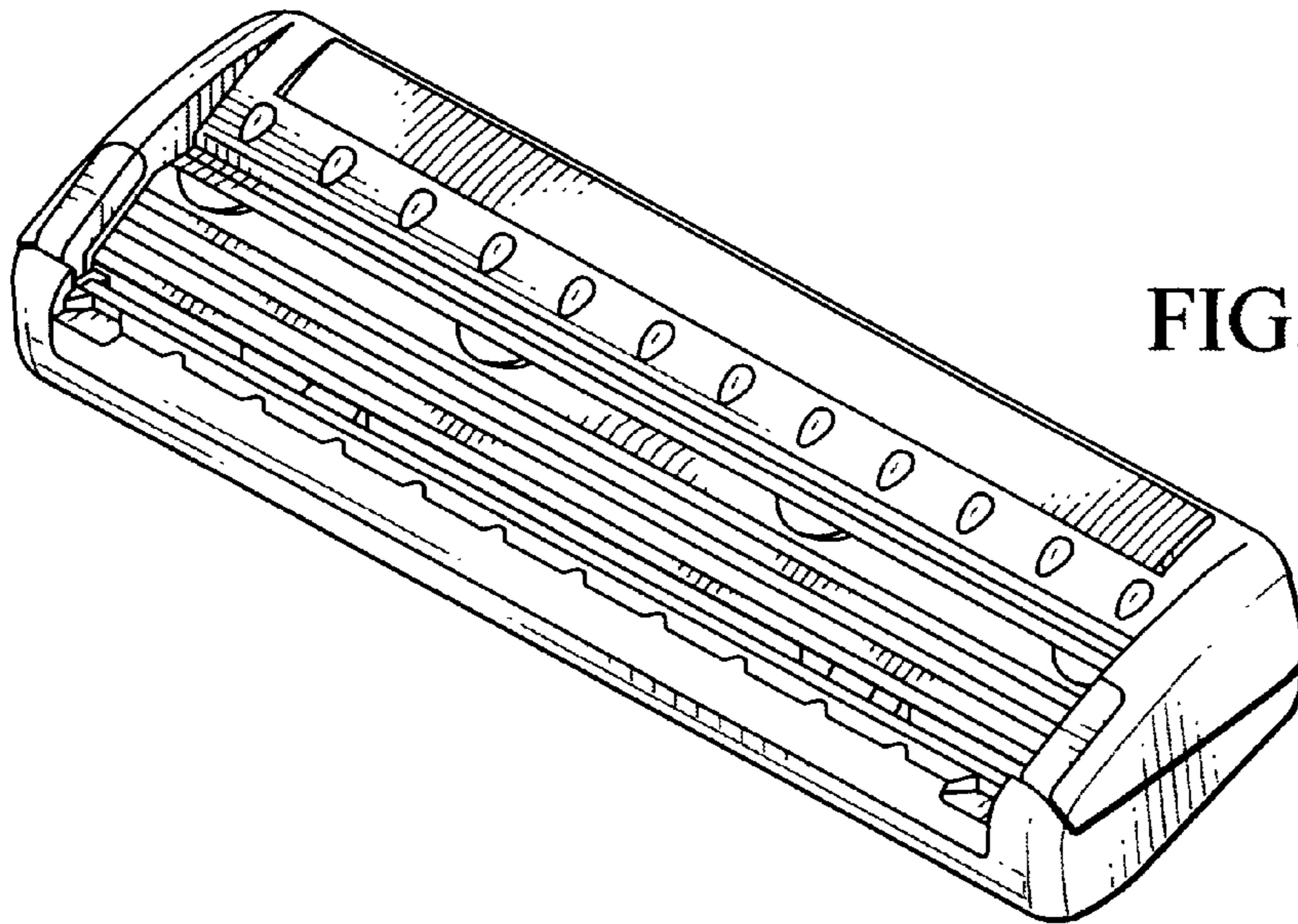


FIG. 7

