



US00D516240S

(12) **United States Design Patent**
Gantenbrink et al.

(10) **Patent No.:** **US D516,240 S**

(45) **Date of Patent:** **** Feb. 28, 2006**

(54) **ADJUSTABLE ARM LAMP FIXTURE**

D285,124 S 8/1986 Hoover
D309,032 S 7/1990 Sharber et al.
D359,379 S 6/1995 Haviland
D442,310 S 5/2001 Huang

(75) Inventors: **Heiner Gantenbrink**, Menden (DE);
Heinz-Dieter Strotmann, Menden (DE)

(73) Assignee: **Bega**, Menden (DE)

Primary Examiner—Jennifer Rivard
(74) *Attorney, Agent, or Firm*—Clark & Brody

(**) Term: **14 Years**

(57) **CLAIM**

(21) Appl. No.: **29/229,304**

We claim the ornamental design for an adjustable arm lamp fixture, as shown and described.

(22) Filed: **May 6, 2005**

Related U.S. Application Data

DESCRIPTION

(62) Division of application No. 29/187,875, filed on Aug. 11, 2003, now Pat. No. Des. 507,072.

FIG. 1 is a left side elevational view of an adjustable arm lamp fixture, showing my new design.

(51) **LOC (8) Cl.** **26-03**

FIG. 2 is a right side elevational view thereof;

(52) **U.S. Cl.** **D26/140; D26/63**

FIG. 3 is a top view thereof;

(58) **Field of Classification Search** D26/61-65,
D26/138, 140, 142, 155; 362/382, 413, 419,
362/427

FIG. 4 is a front view thereof; and,

See application file for complete search history.

FIG. 5 is a left side elevational view showing the an adjustable arm lamp fixture in different positions.

The broken lines are shown for illustrative purposes only and form no part of the design.

(56) **References Cited**

U.S. PATENT DOCUMENTS

3,891,173 A 6/1975 Ellis et al.

1 Claim, 3 Drawing Sheets

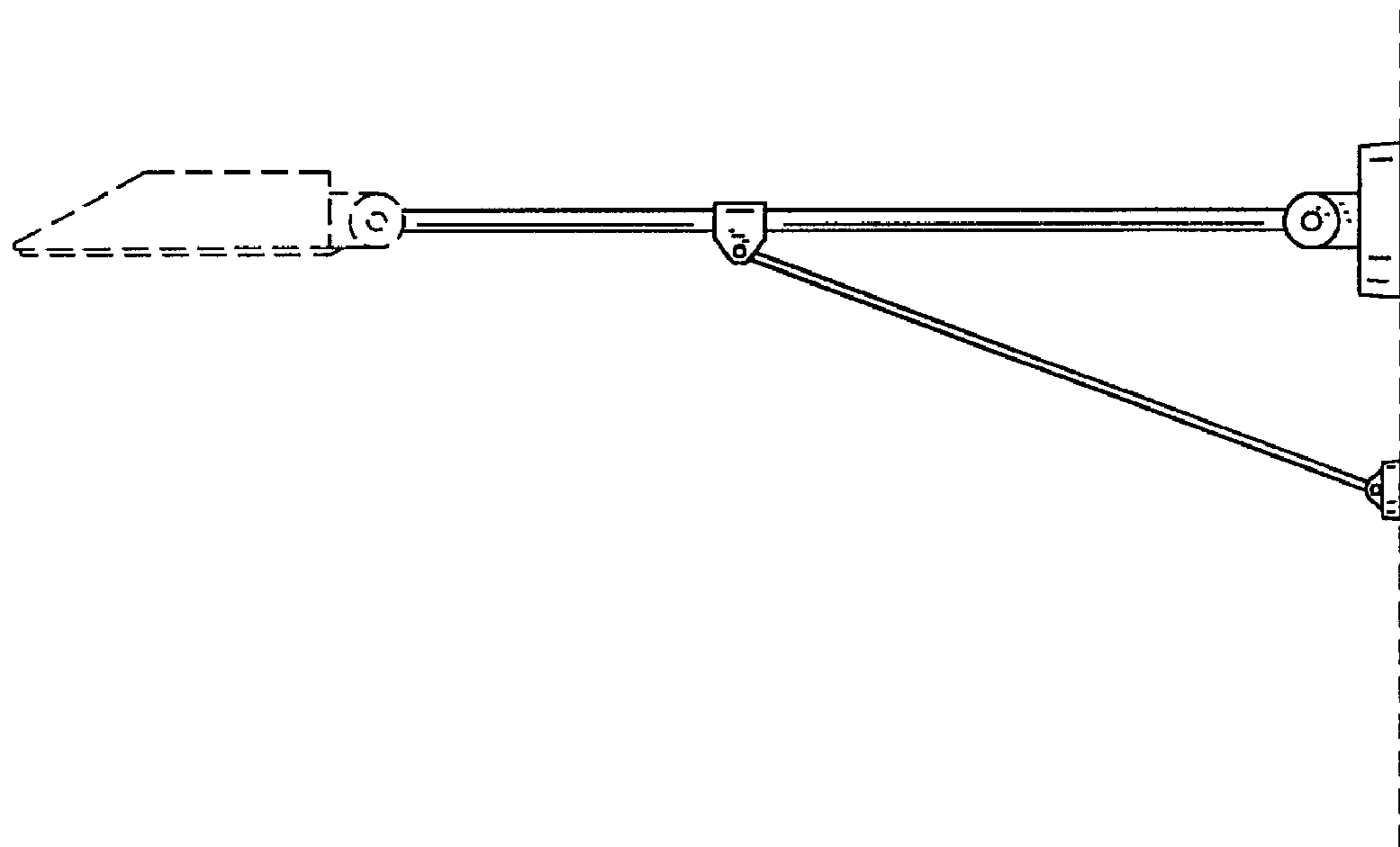


FIG. 1

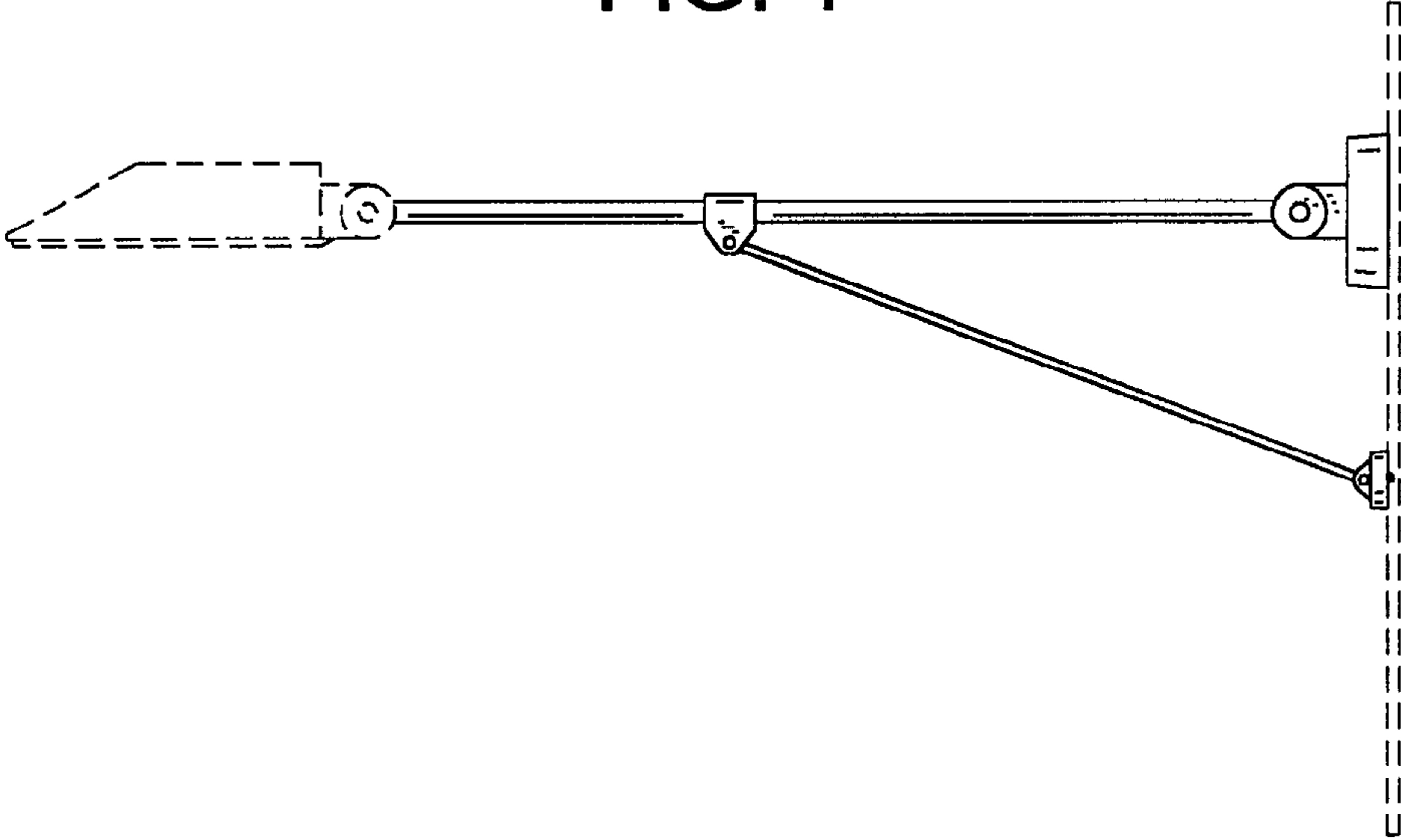


FIG. 2

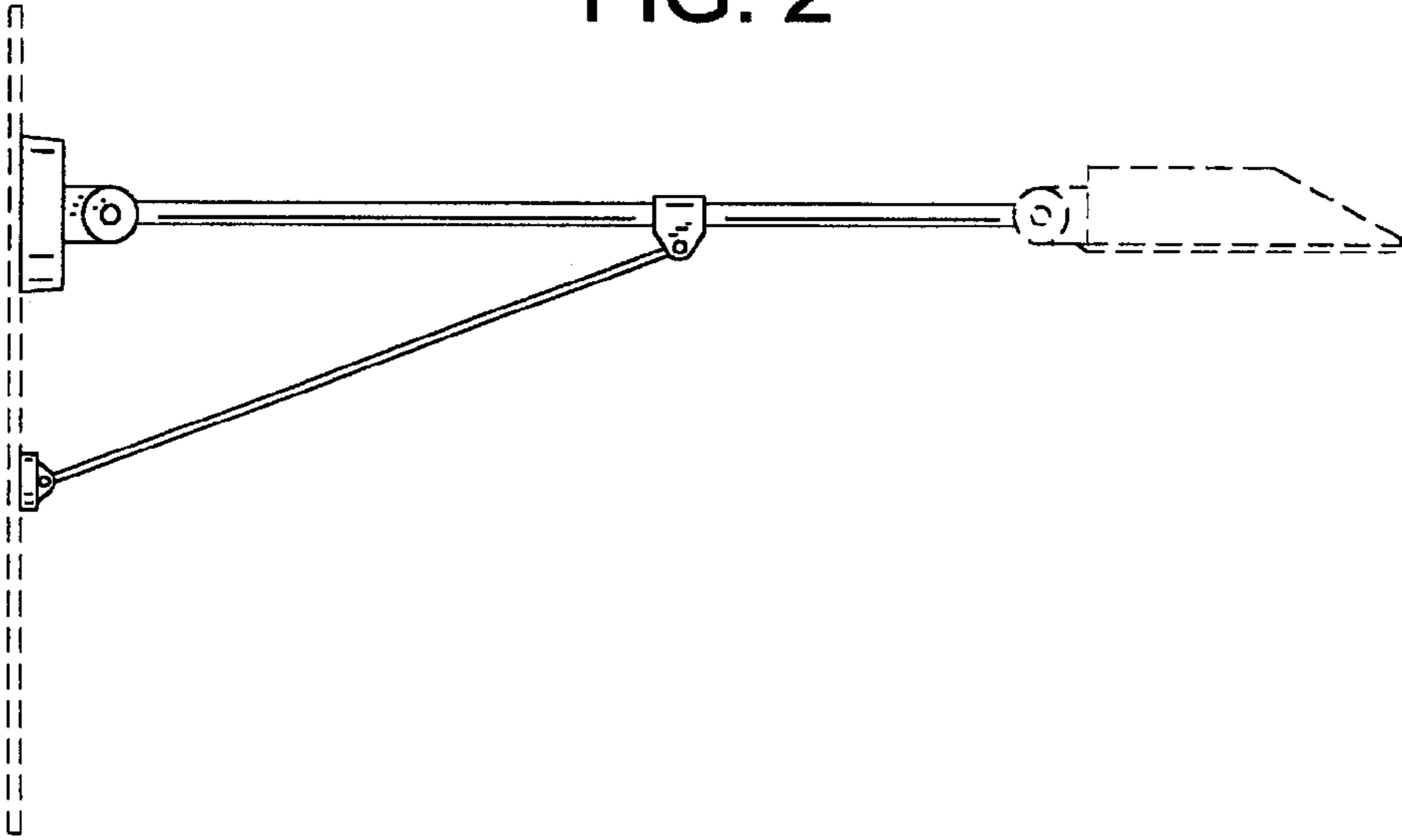


FIG. 3

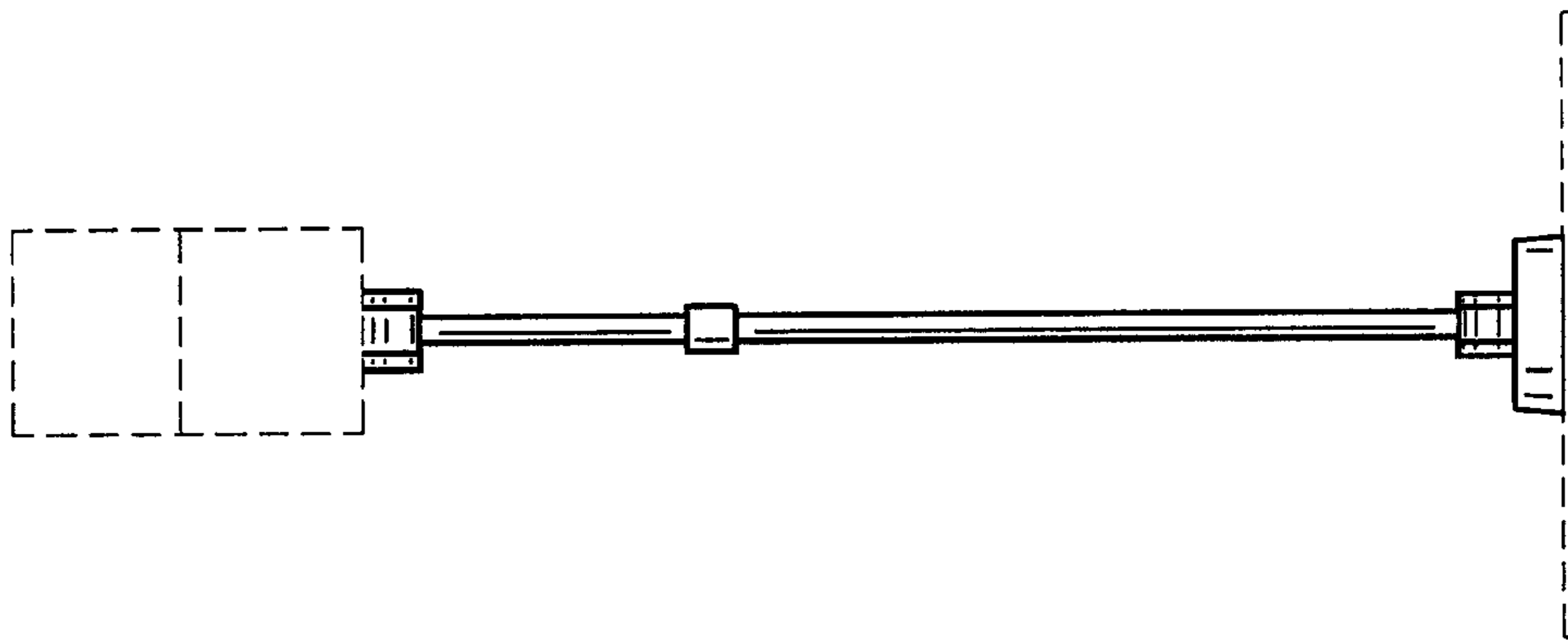


FIG. 4

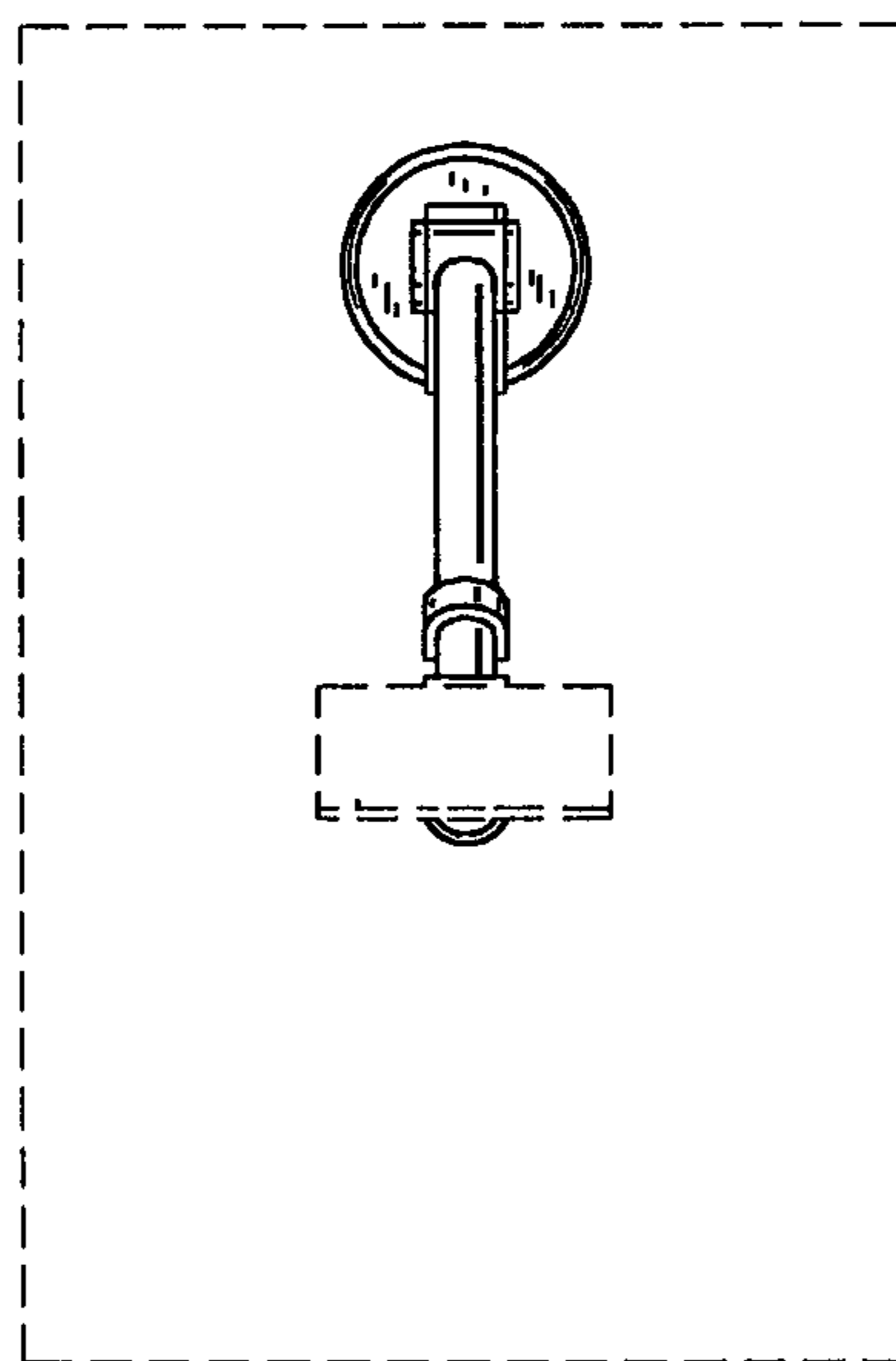


FIG. 5

