



US00D516239S

(12) **United States Design Patent**  
**Wachter**

(10) **Patent No.:** **US D516,239 S**  
(45) **Date of Patent:** **\*\* Feb. 28, 2006**

(54) **LIGHT FIXTURE HAVING A SQUARE GRID CELL WITH AN ARCHED TRIM**

(75) Inventor: **Peter F. Wachter**, Northfield, IL (US)

(73) Assignee: **Juno Manufacturing, Inc.**, Des Plaines, IL (US)

(\*\*) Term: **14 Years**

(21) Appl. No.: **29/188,791**

(22) Filed: **Aug. 22, 2003**

(51) **LOC (8) Cl.** ..... **26-99**

(52) **U.S. Cl.** ..... **D26/118; D26/63**

(58) **Field of Classification Search** ..... D26/61,  
D26/63-66, 72, 74, 76, 78, 90, 80, 84, 118,  
D26/138, 142; 362/216, 225, 236, 237, 240,  
362/241, 268, 283, 287, 291, 404, 407, 408,  
362/372

See application file for complete search history.

(56) **References Cited**

**U.S. PATENT DOCUMENTS**

2,379,798	A	*	7/1945	Guth	.....	362/225
D162,278	S	*	3/1951	Ainsworth	.....	D26/78
4,430,695	A	*	2/1984	Payne et al.	.....	362/277
D293,940	S	*	1/1988	Lasker	.....	D26/65
D399,588	S	*	10/1998	St. Ives	.....	D26/76
D421,146	S	*	2/2000	Poulton	.....	D26/76
D437,074	S	*	1/2001	Johnson	.....	D26/74
D465,049	S	*	10/2002	Ludwig	.....	D26/78
D477,105	S	*	7/2003	Herst et al.	.....	D26/76
6,634,764	B2	*	10/2003	Kotovskiy et al.	.....	362/148
D488,583	S	*	4/2004	Benghozi	.....	D26/118

\* cited by examiner

*Primary Examiner*—Clare E Heflin

(74) *Attorney, Agent, or Firm*—Sonnenschein Nath & Rosenthal

(57) **CLAIM**

The ornamental design for a light fixture having a square grid cell with an arched trim, as shown and described.

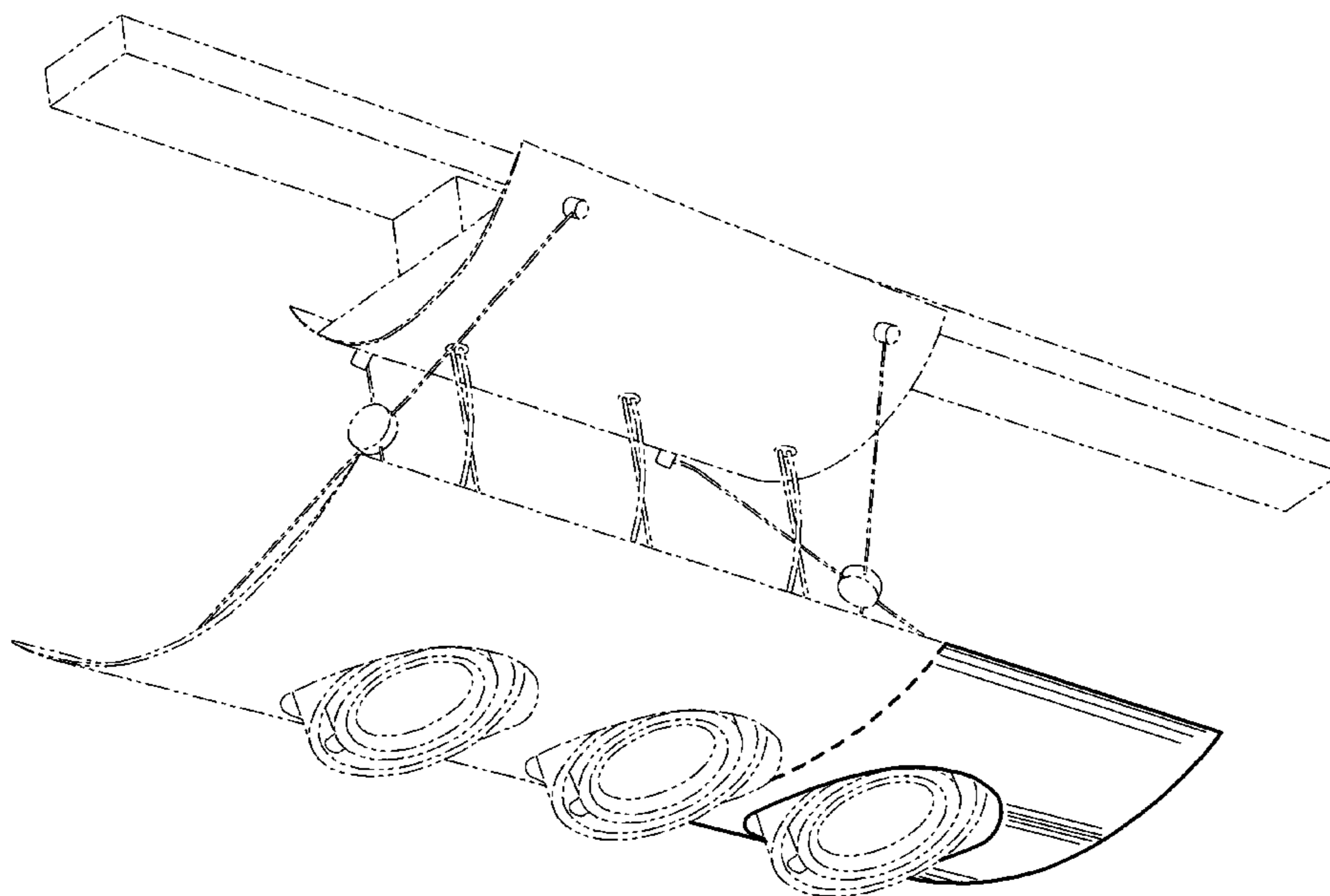
**DESCRIPTION**

This application is related to the following: (1) U.S. Design Application No. 29/188,799 entitled “Suspended Light Fixture Canopy” filed concurrently, having the same inventor and assignee as the present application; and (2) U.S. Design Application No. 29/188,793 entitled “Light Fixture Having A Square Grid Cell With Arcuate Cross-Members” filed concurrently, having the same inventor and assignee as the present application.

FIG. 1 is a perspective view of a lighting fixture having a square grid cell with an arched trim showing the new design; FIG. 2 is a front view of the lighting fixture as shown in FIG. 1 in which a front side of the square grid cell with the arched trim is in view, the reverse side of the square grid cell with the arched trim being a mirror image of the front side; FIG. 3 is a side view of the lighting fixture as shown in FIG. 1 in which the left side of the square grid cell with the arched trim is in view, the right side of the square grid cell with the arched trim being a mirror image of the left side; FIG. 4 is a top view of the lighting fixture as shown in FIG. 1 with a top portion of the light fixture cut-away to show a top view of the square grid cell with the arched trim; and, FIG. 5 is a bottom view of the lighting fixture as shown in FIG. 1.

Features shown in dashed lines immediately adjacent the shaded areas or adjacent the solid lines represent the bounds of the claim and all other dashed lines are for illustrative purposes only. None of the dashed lines form a part of the claimed design.

**1 Claim, 3 Drawing Sheets**



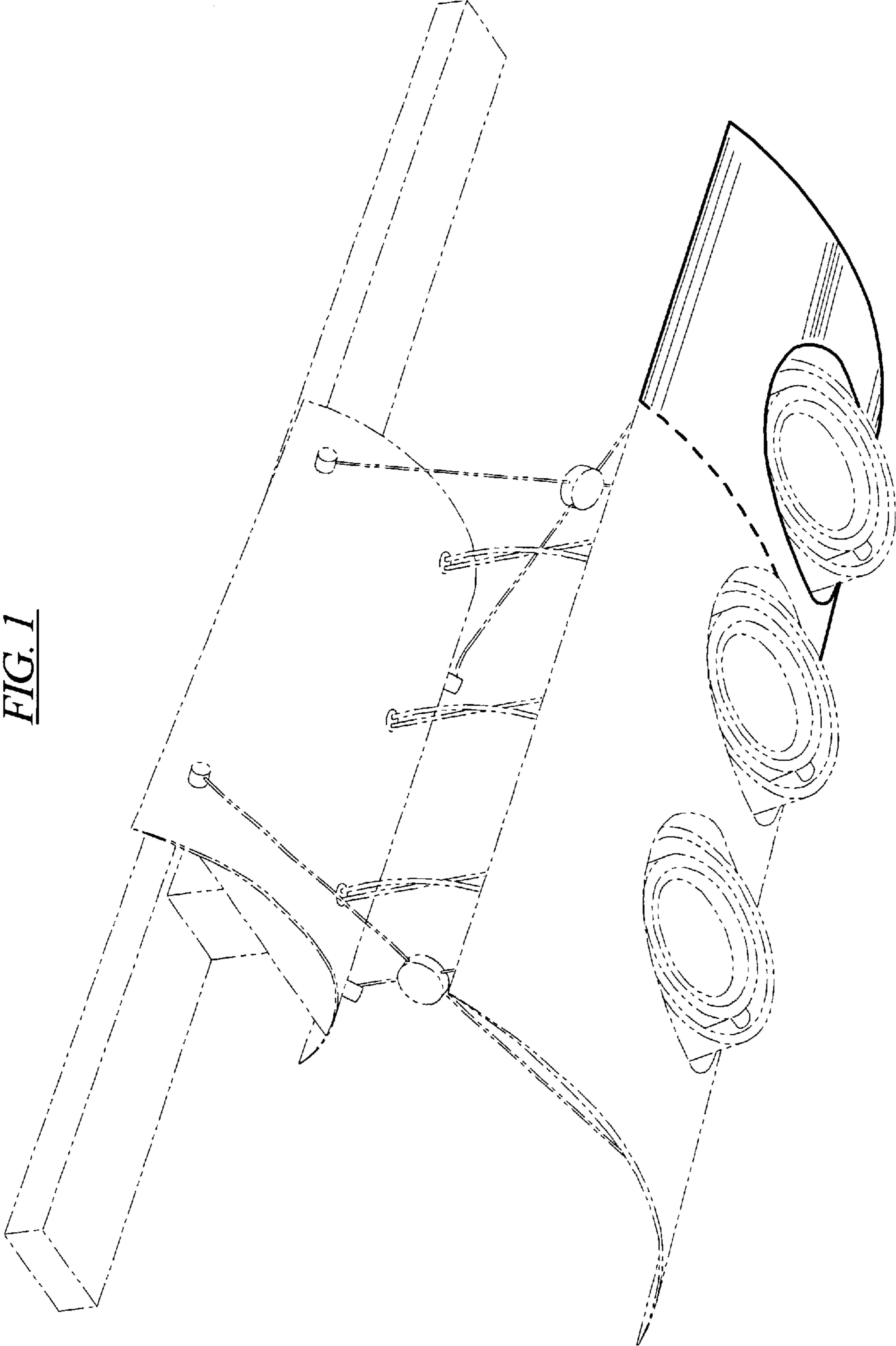


FIG. 1

FIG. 3

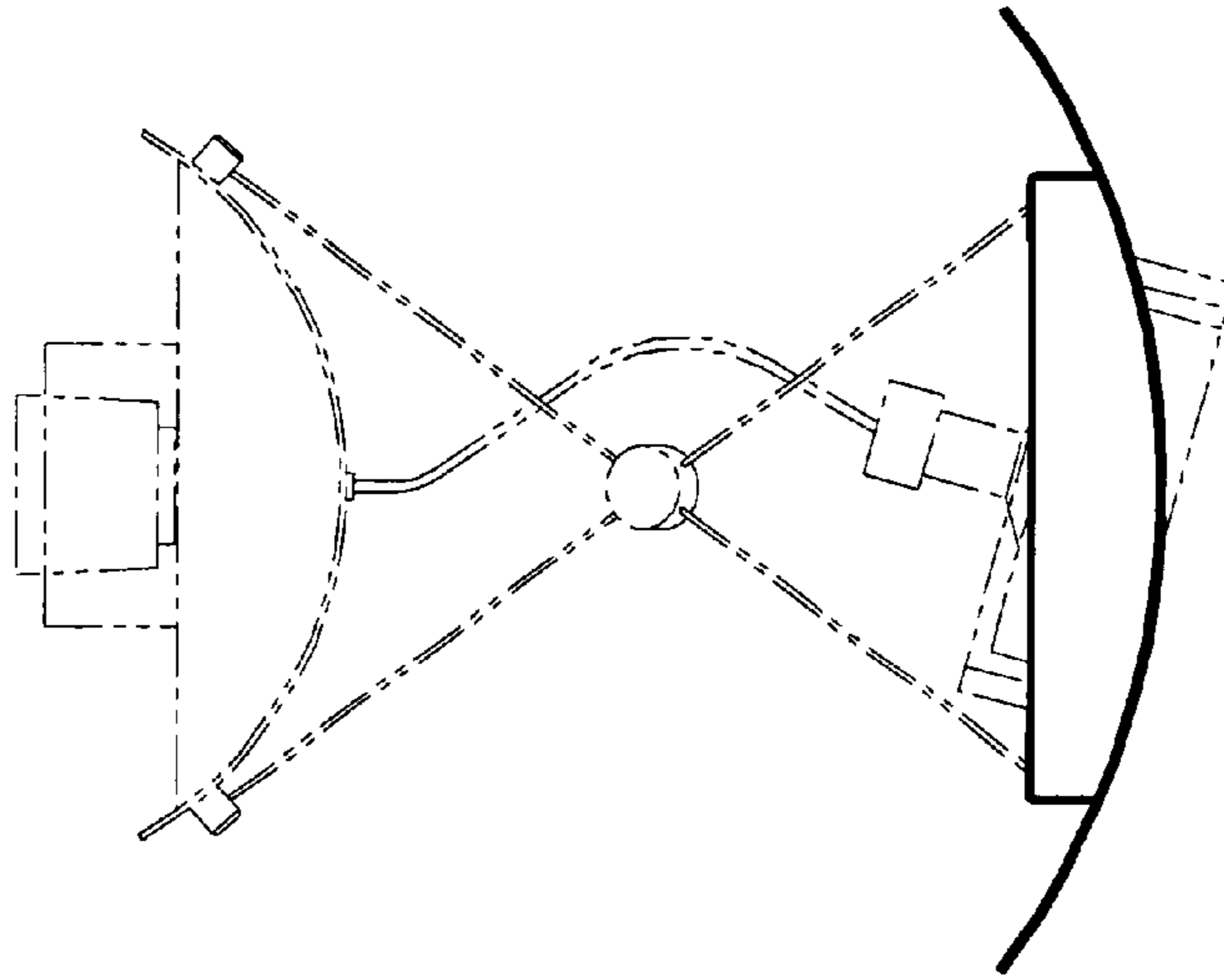
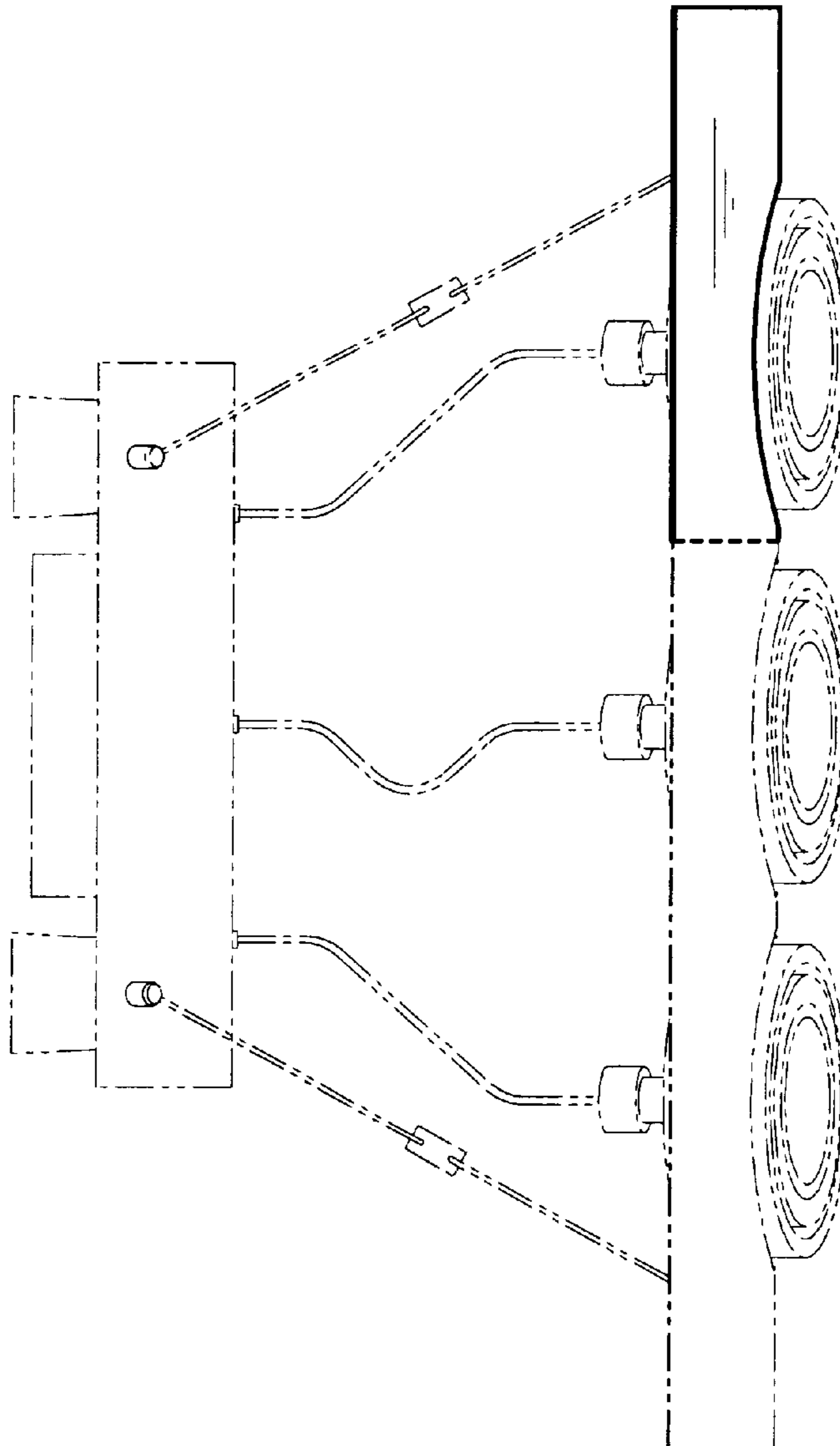
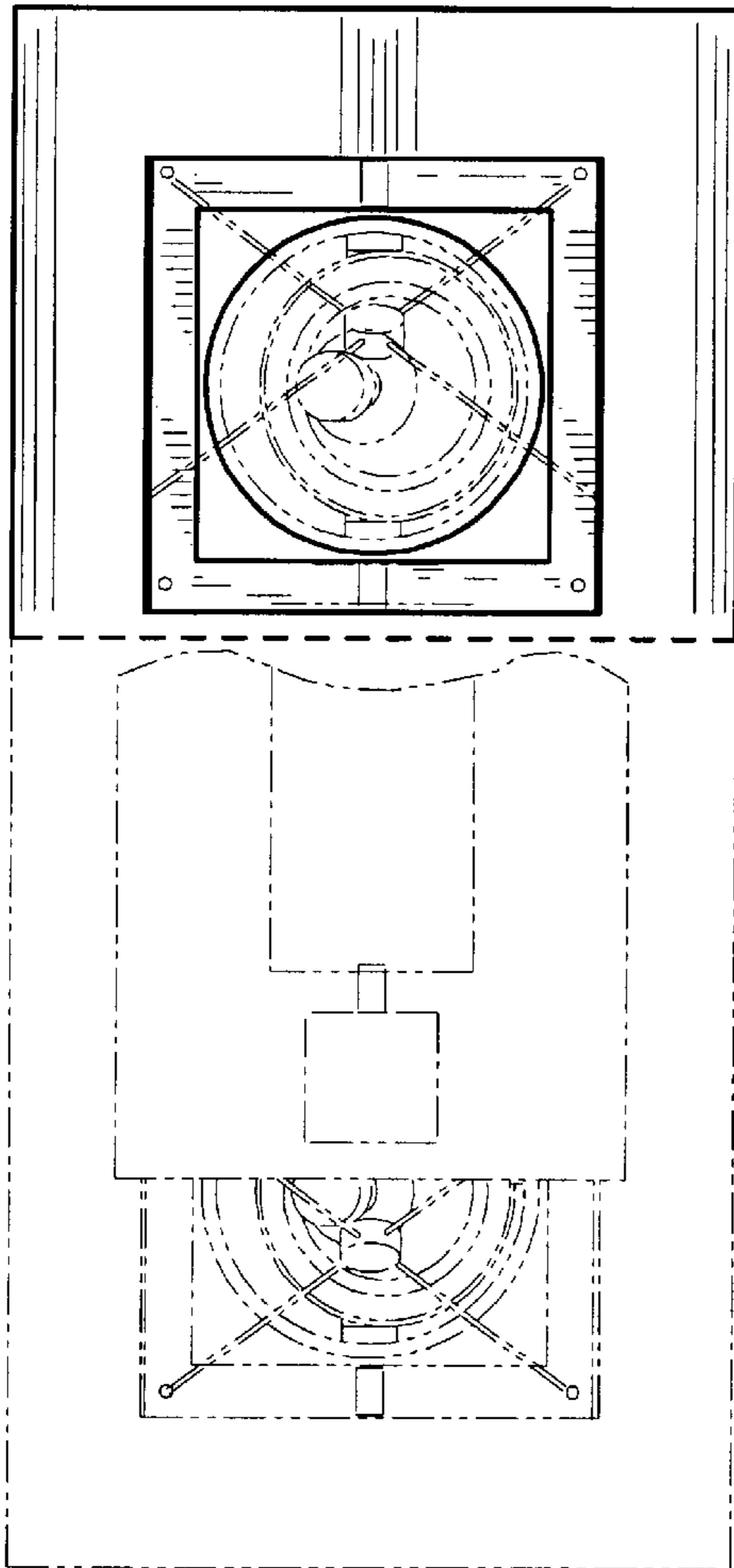


FIG. 2



*FIG. 4*



*FIG. 5*

