



US00D516238S

(12) **United States Design Patent**
Booty, Jr.

(10) **Patent No.:** **US D516,238 S**
(45) **Date of Patent:** **** Feb. 28, 2006**

(54) **LAMP HOUSING**

(76) **Inventor:** **Donald J. Booty, Jr.**, 5522 E. Dusty
Wren Dr., Cave Creek, AZ (US) 85331

(**) **Term:** **14 Years**

(21) **Appl. No.:** **29/177,029**

(22) **Filed:** **Aug. 12, 2003**

(51) **LOC (8) Cl.** **26-99**

(52) **U.S. Cl.** **D26/118; D26/63**

(58) **Field of Classification Search** **D26/61-63,**
D26/118, 72, 89, 128; 362/235, 285, 299,
362/147

See application file for complete search history.

(56) **References Cited**

U.S. PATENT DOCUMENTS

D73,126 S	*	7/1927	Garey	D26/63
D79,859 S	*	11/1929	Spieth	D26/63
1,747,283 A	*	2/1930	Bean	362/235
D152,113 S	*	12/1948	Mehr	D26/63
D167,268 S	*	7/1952	Lordo	D26/24
D187,948 S	*	5/1960	Lauterbach	D26/63

D209,078 S	*	10/1967	Andre	D26/62
D349,777 S	*	8/1994	Kelly et al.	D26/63
5,523,931 A	*	6/1996	Kassay et al.	362/235
D439,009 S	*	3/2001	Broeders	D26/119
D479,623 S	*	9/2003	Fu	D26/118
6,905,226 B2	*	6/2005	Tickner et al.	362/235

* cited by examiner

Primary Examiner—Clare E Heflin

(74) *Attorney, Agent, or Firm*—Tod R. Nissle, P.C.

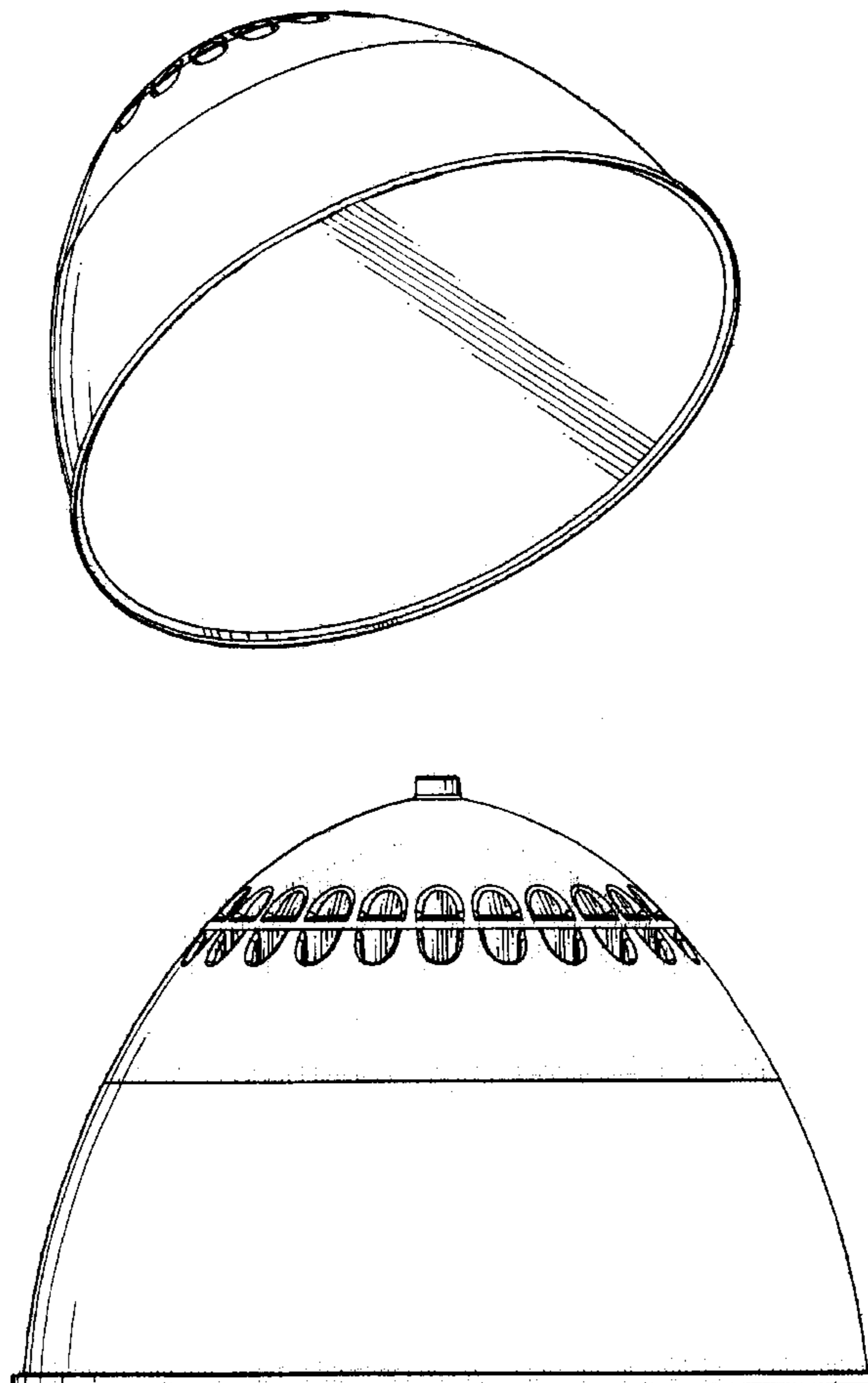
(57) **CLAIM**

The ornamental design for a lamp housing, substantially as shown and described.

DESCRIPTION

FIG. 1 is a perspective view illustrating a lamp housing embodying the present invention;
FIG. 2 is a bottom view of the lamp housing of FIG. 1;
FIG. 3 is a top view of the lamp housing of FIG. 1;
FIG. 4 is a right side view of the lamp housing of FIG. 1;
FIG. 5 is a rear view of the lamp housing of FIG. 1; and,
FIG. 6 is a front view of the lamp housing of FIG. 1.

1 Claim, 6 Drawing Sheets



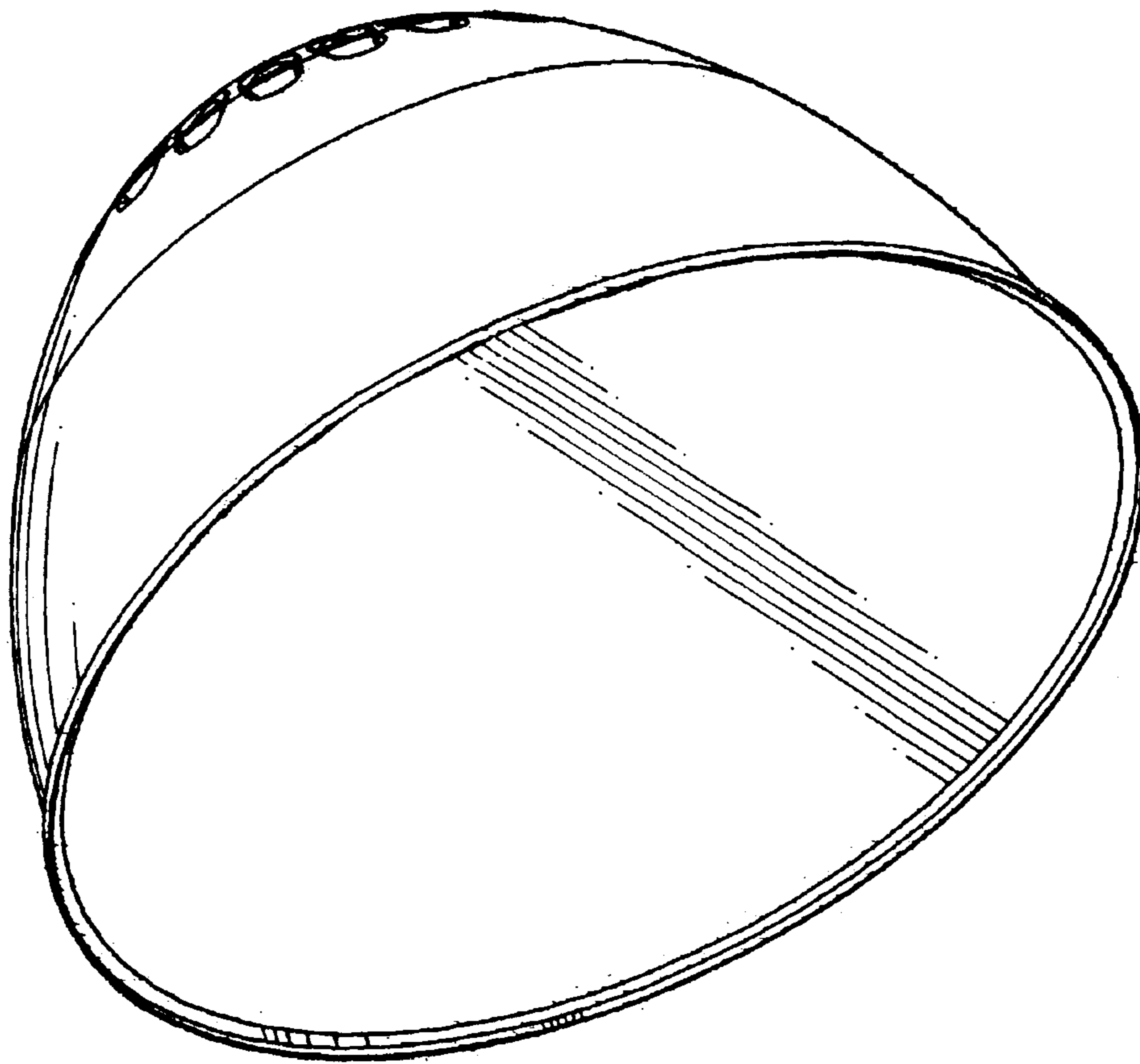


FIG. 1

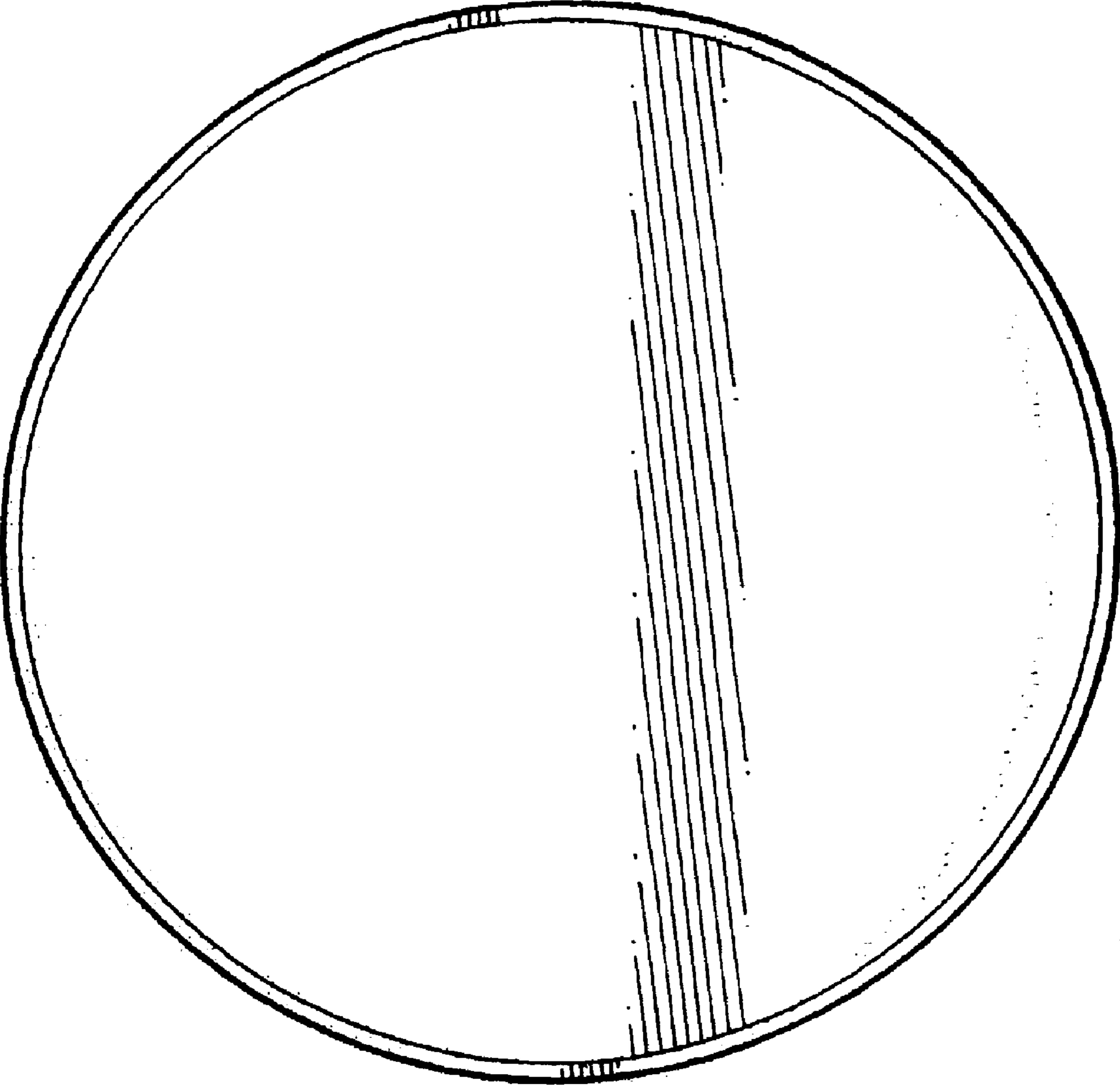


FIG. 2

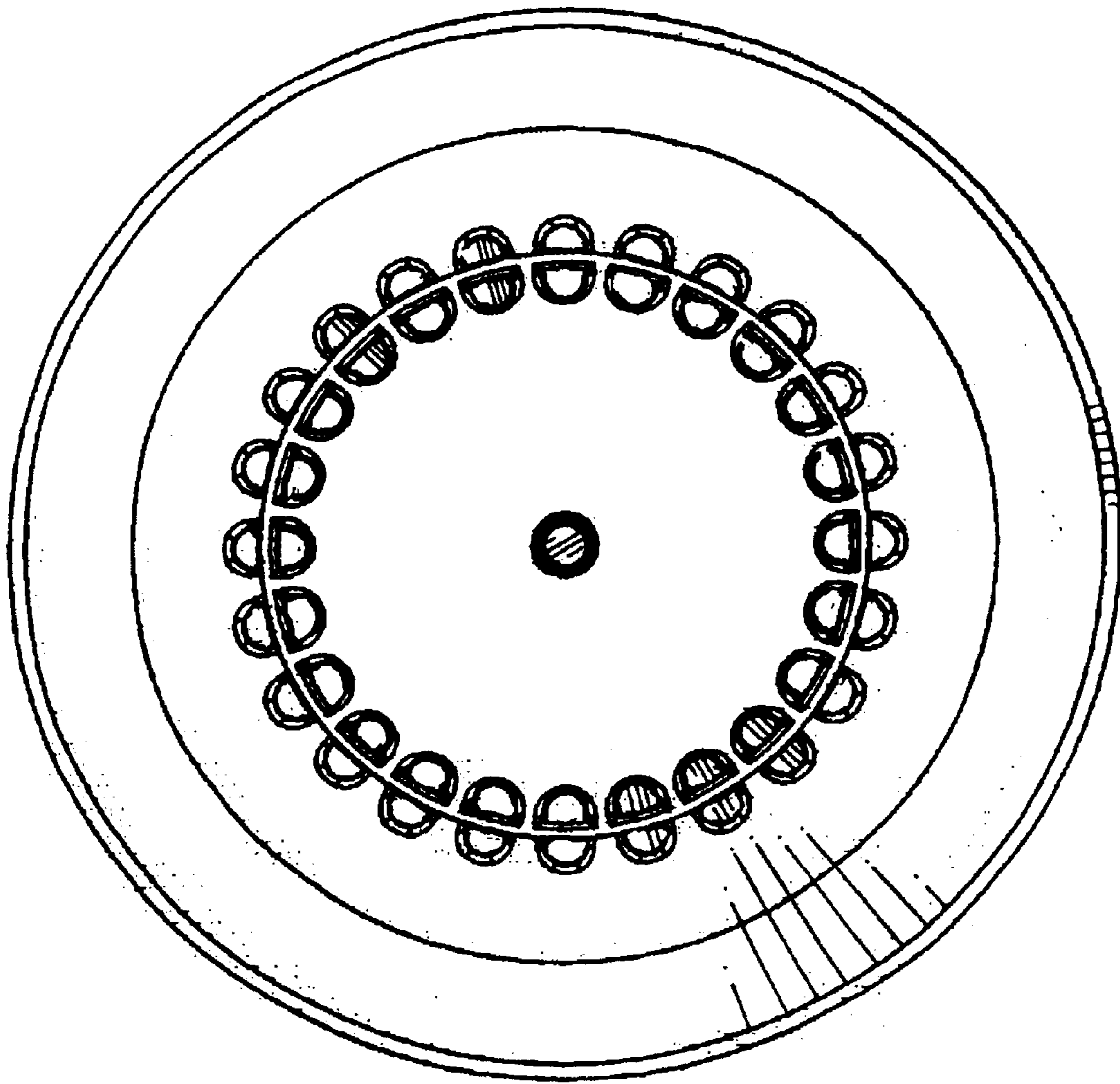


FIG. 3

FIG. 4

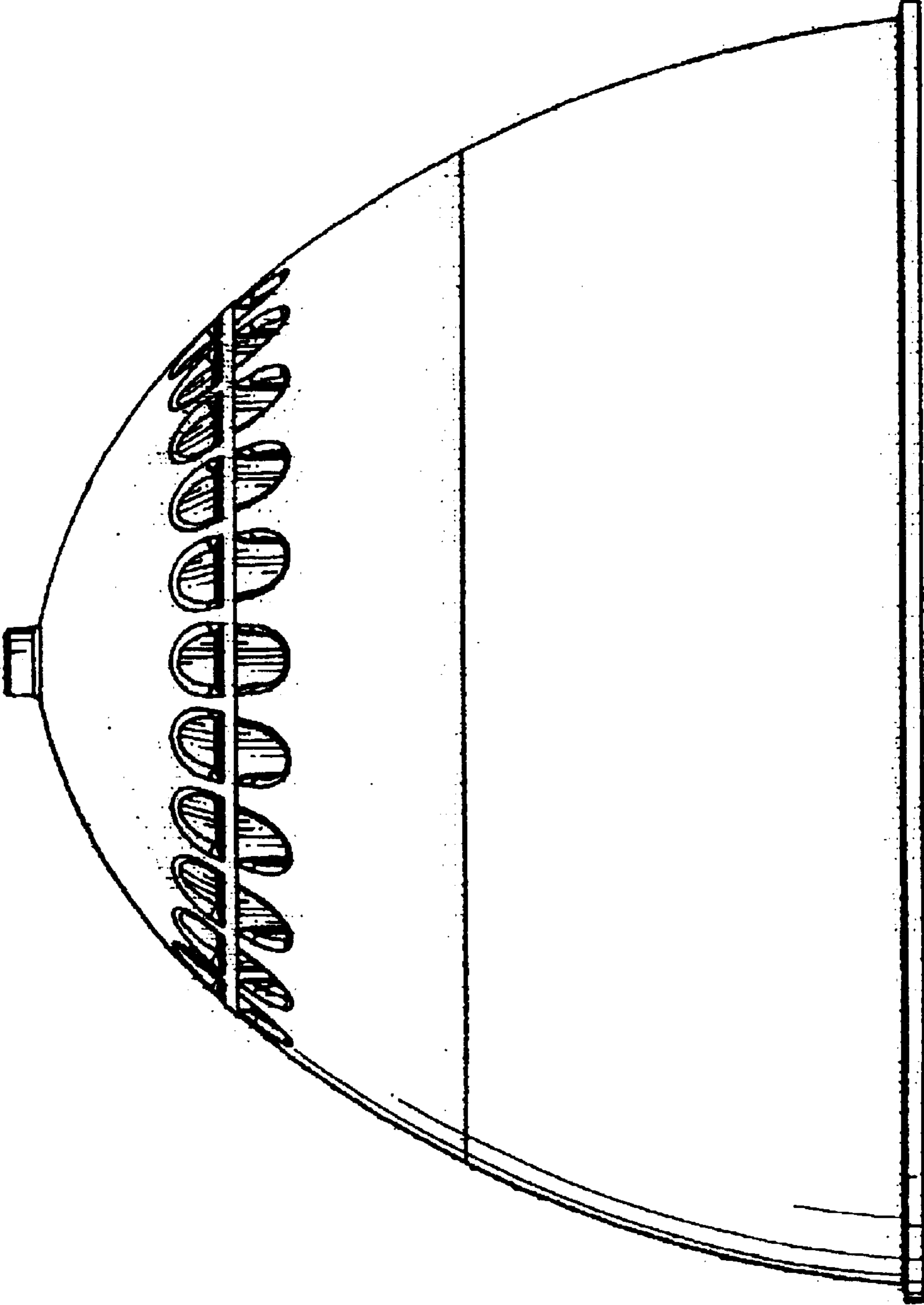


FIG. 5

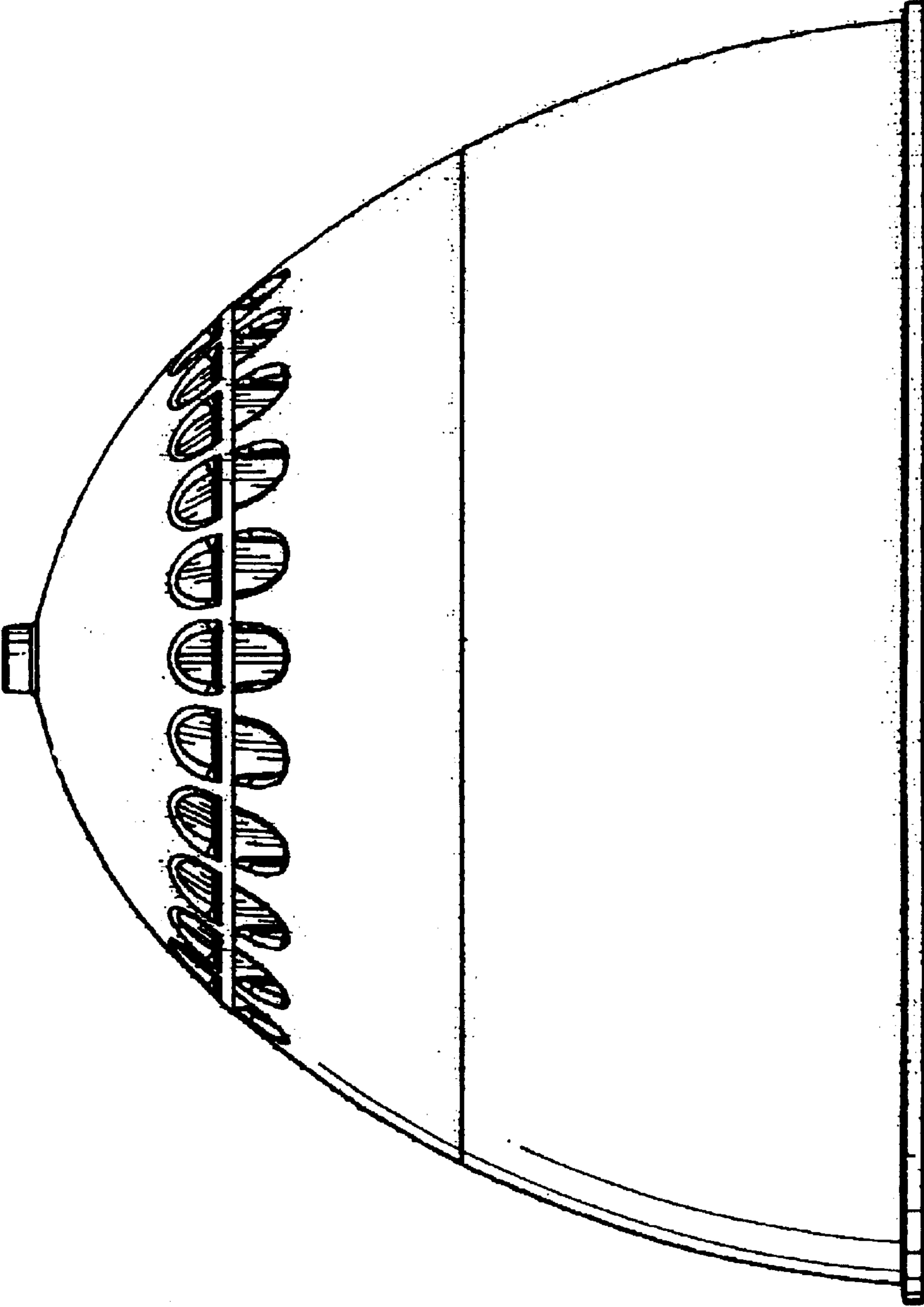


FIG. 6

