



US00D516235S

(12) **United States Design Patent** (10) **Patent No.:** **US D516,235 S**  
**Rashidi** (45) **Date of Patent:** **\*\* \*Feb. 28, 2006**

(54) **STEPPED DROP LENS TRIM**

(76) Inventor: **Hamid Rashidi**, 139 N. Clark Dr., Beverly Hills, CA (US) 90211

(\* ) Notice: This patent is subject to a terminal disclaimer.

(\*\* ) Term: **14 Years**

(21) Appl. No.: **29/208,296**

(22) Filed: **Jun. 24, 2004**

(51) **LOC (8) Cl.** ..... **26-05**

(52) **U.S. Cl.** ..... **D26/74; D26/138**

(58) **Field of Classification Search** ..... D26/74, D26/118, 120, 122-124; 362/147, 296, 300, 362/235, 301, 307, 310, 311, 347-350, 364-366  
See application file for complete search history.

(56) **References Cited**

**U.S. PATENT DOCUMENTS**

D115,970 S	*	8/1939	Stewart	.....	D26/124
D196,618 S	*	10/1963	Hammens	.....	D23/328
D325,651 S	*	4/1992	Sonneman	.....	D26/152
5,373,431 A	*	12/1994	Hayman et al.	.....	362/364
D380,852 S	*	7/1997	Lecluze	.....	D26/118
D386,277 S	*	11/1997	Lecluze	.....	D26/74

**FOREIGN PATENT DOCUMENTS**

WO DM/065427 \* 5/2004

**OTHER PUBLICATIONS**

Y Lighting's Recessed Light Model #8420. From website: ylighting.com ©2004. (2 pages).\*  
Seagull Lighting Catalog—04A ©2003. Item 7645-68 on p. 196. (1 page).\*  
Seagull Lighting Catalog—04A ©2003. Item 1134-68 on p. 419. (1 page).\*

\* cited by examiner

*Primary Examiner*—Clare E Heflin

(74) *Attorney, Agent, or Firm*—Thomas I. Rozsa; Tony D. Chen

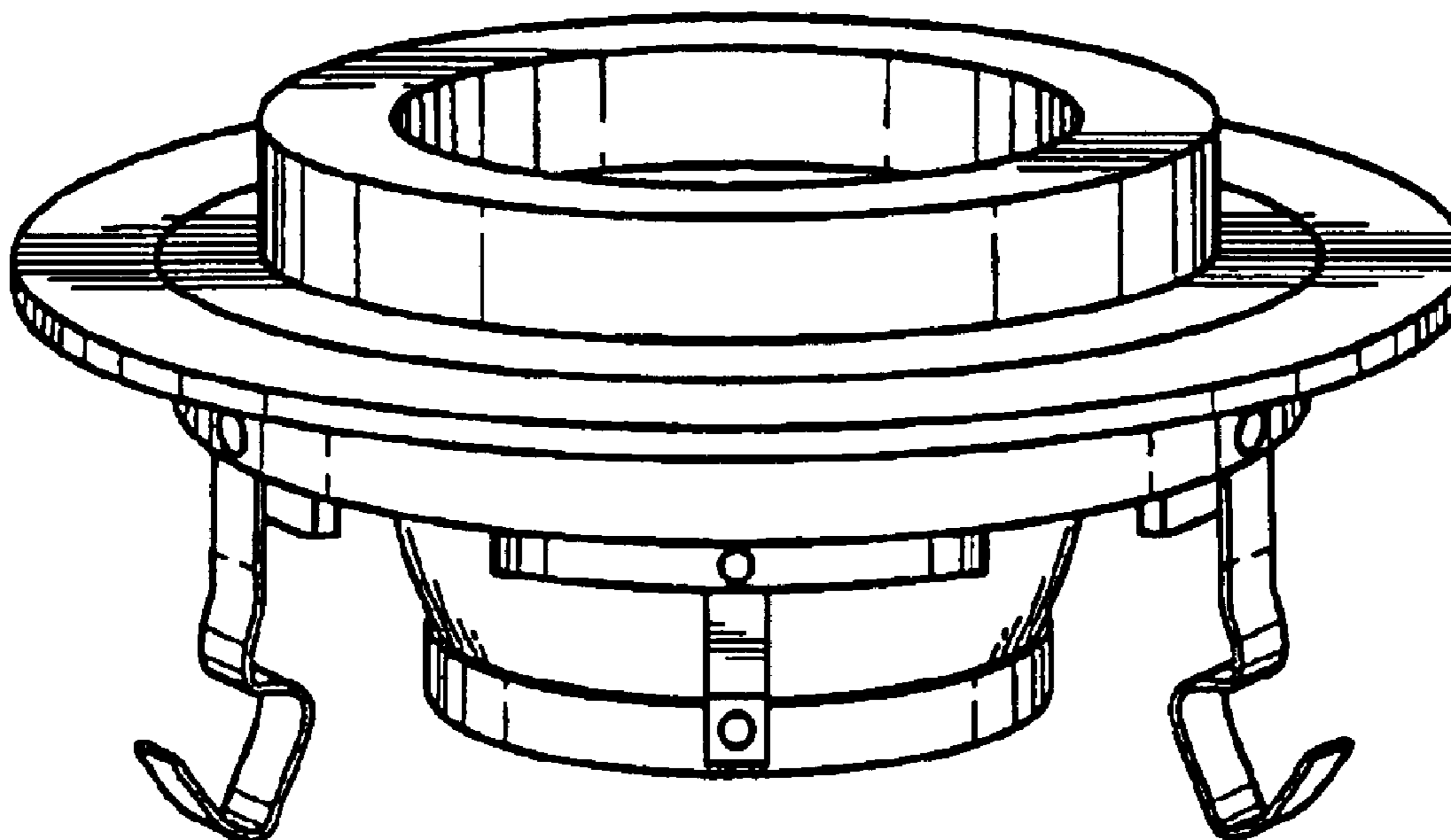
(57) **CLAIM**

The ornamental design for a stepped drop lens trim, as shown and described.

**DESCRIPTION**

FIG. 1 is a perspective view of the stepped drop lens trim, showing my design;  
FIG. 2 is top plan view;  
FIG. 3 is a bottom plan view;  
FIG. 4 is a front elevational view;  
FIG. 5 is a rear elevational view;  
FIG. 6 is a side elevational view when viewed from the right side; and,  
FIG. 7 is a side elevational view when viewed from the left side.

**1 Claim, 2 Drawing Sheets**



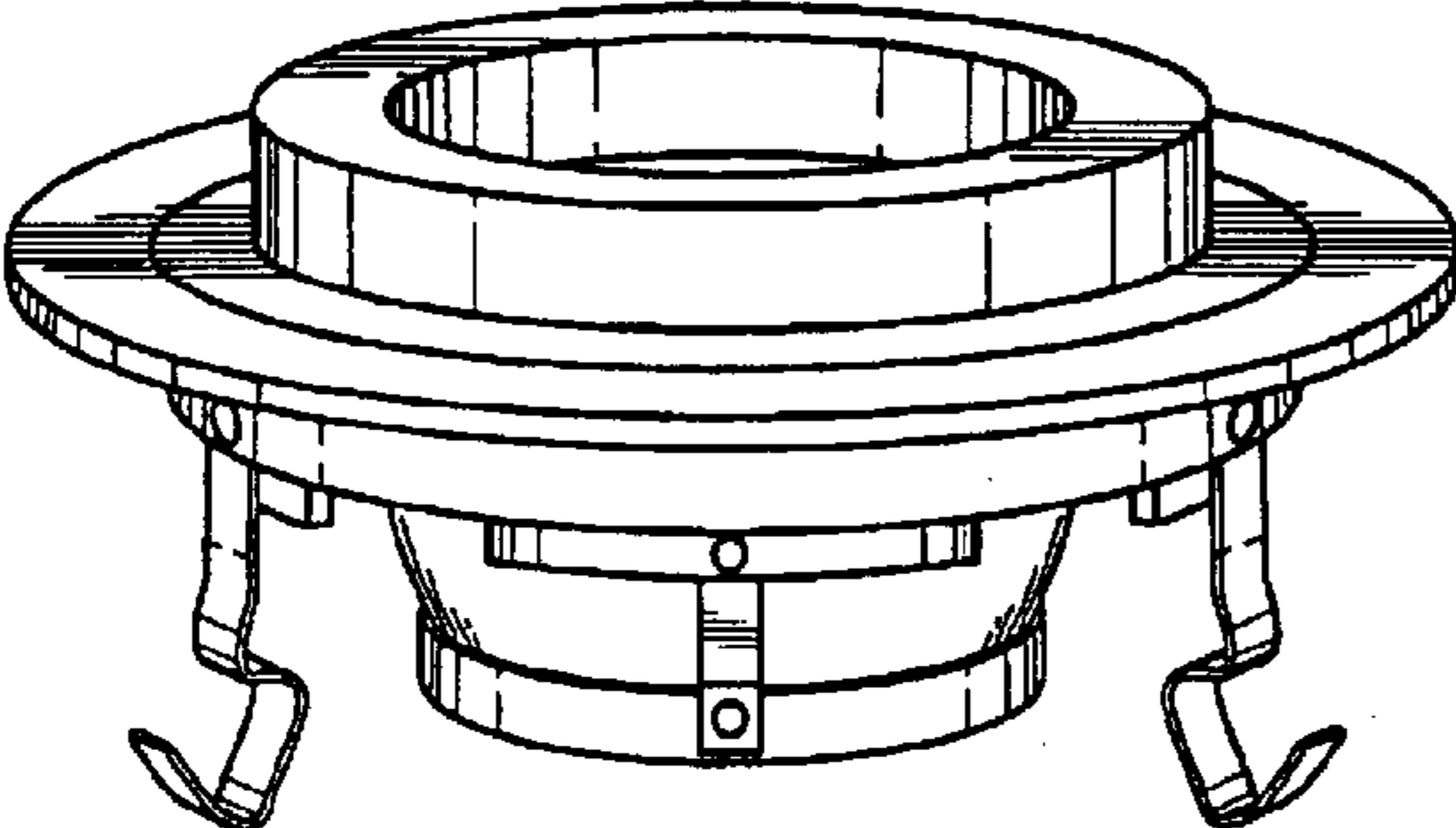


FIG. 1

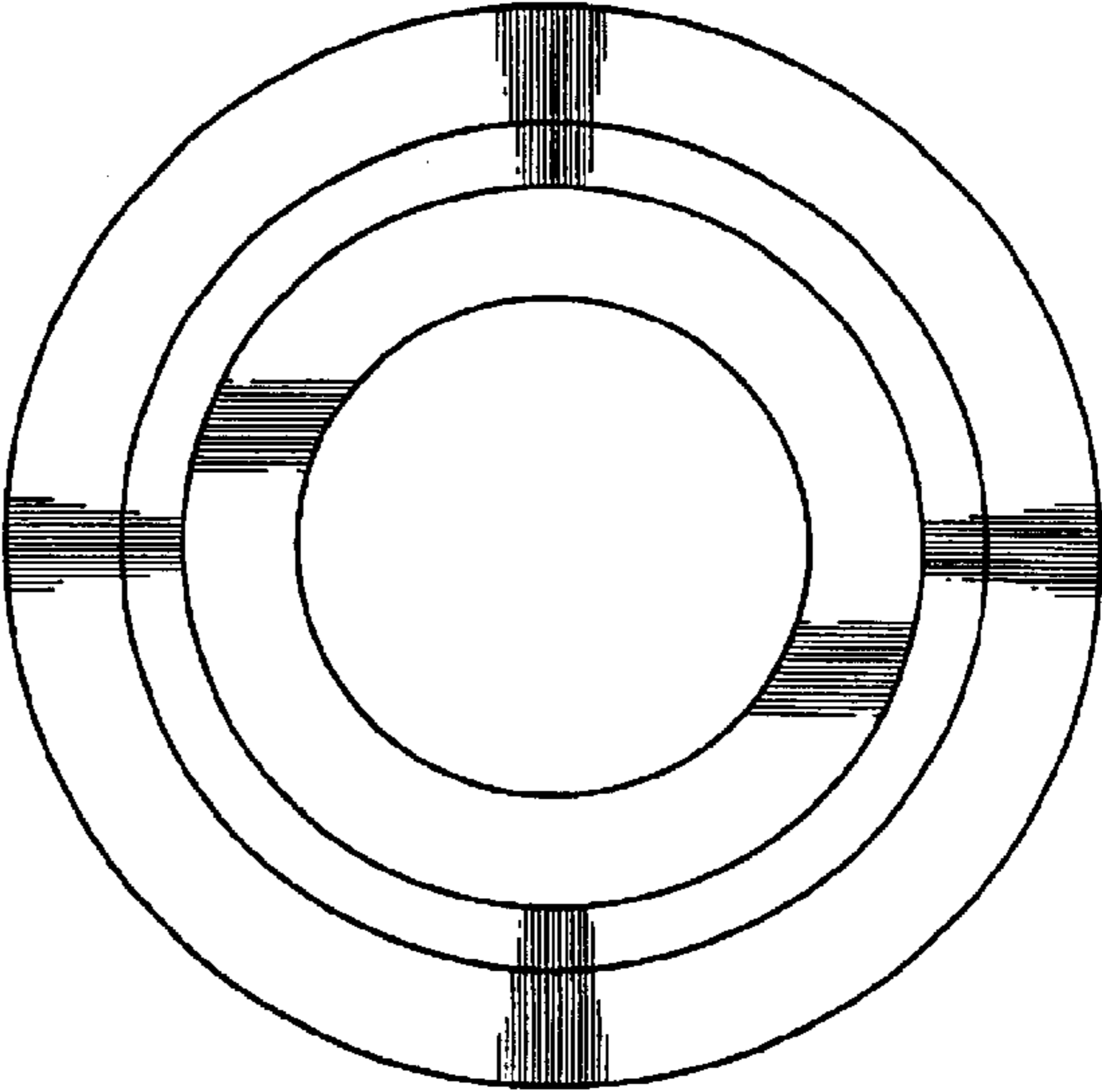


FIG. 2

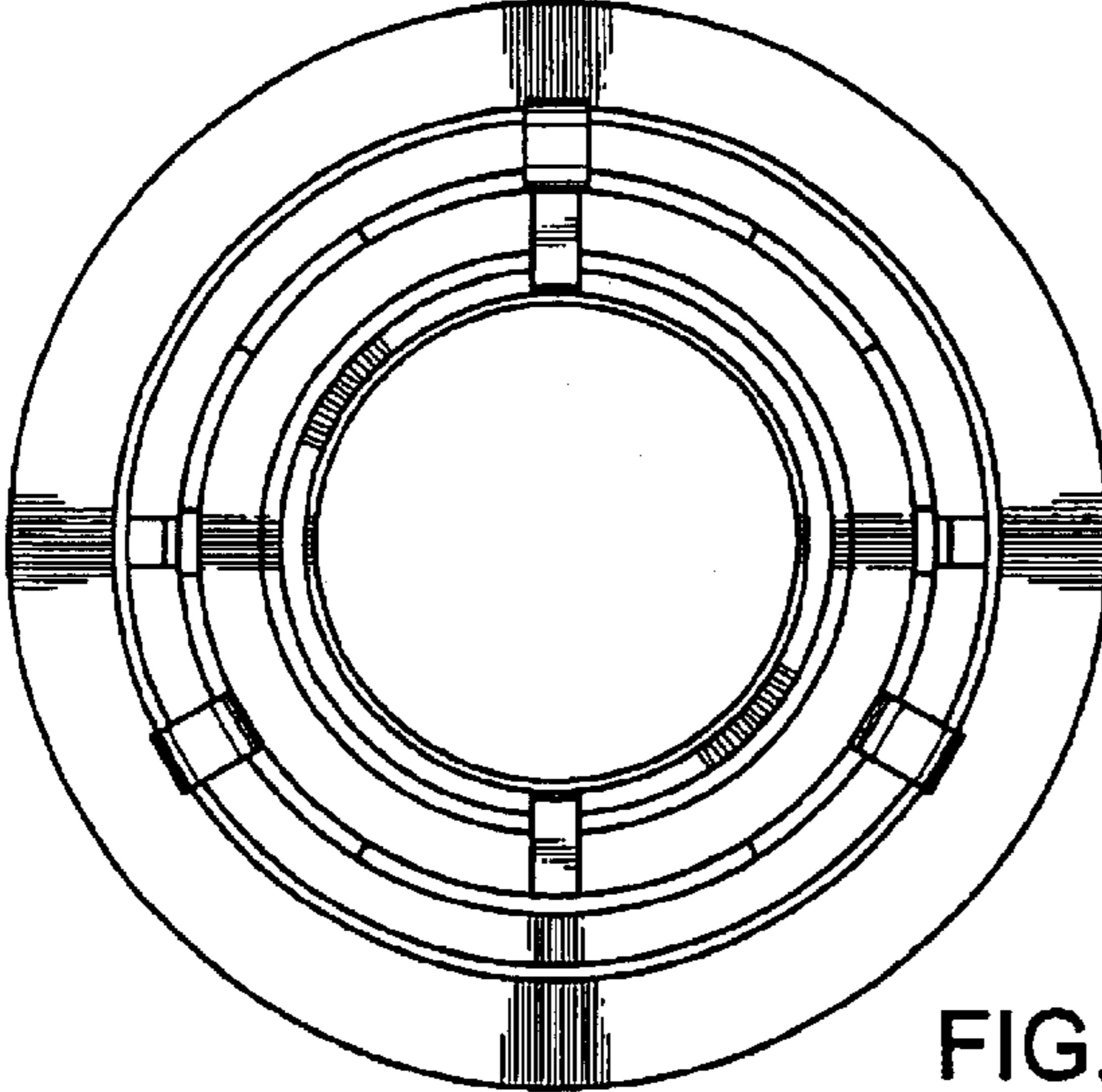


FIG. 3

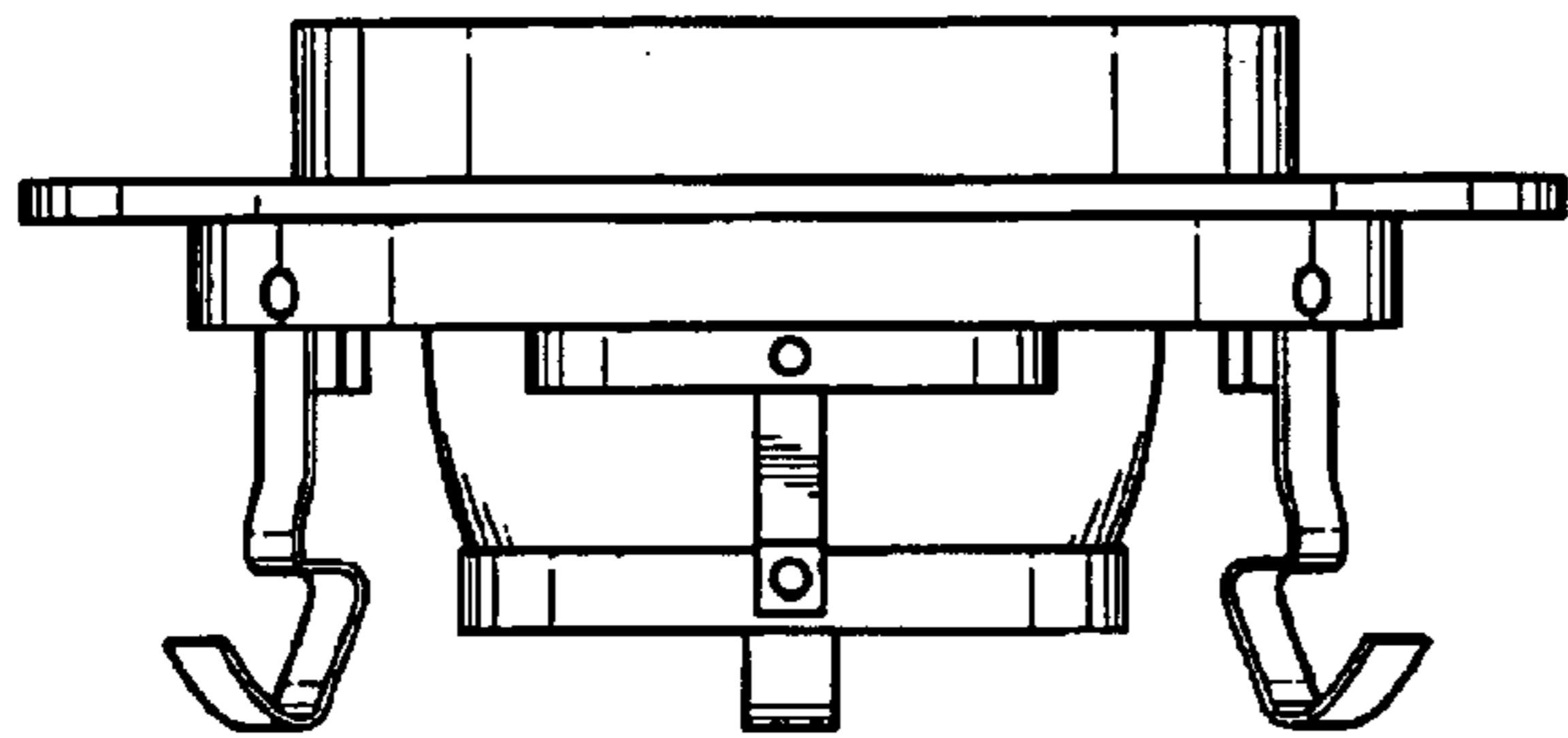


FIG.4

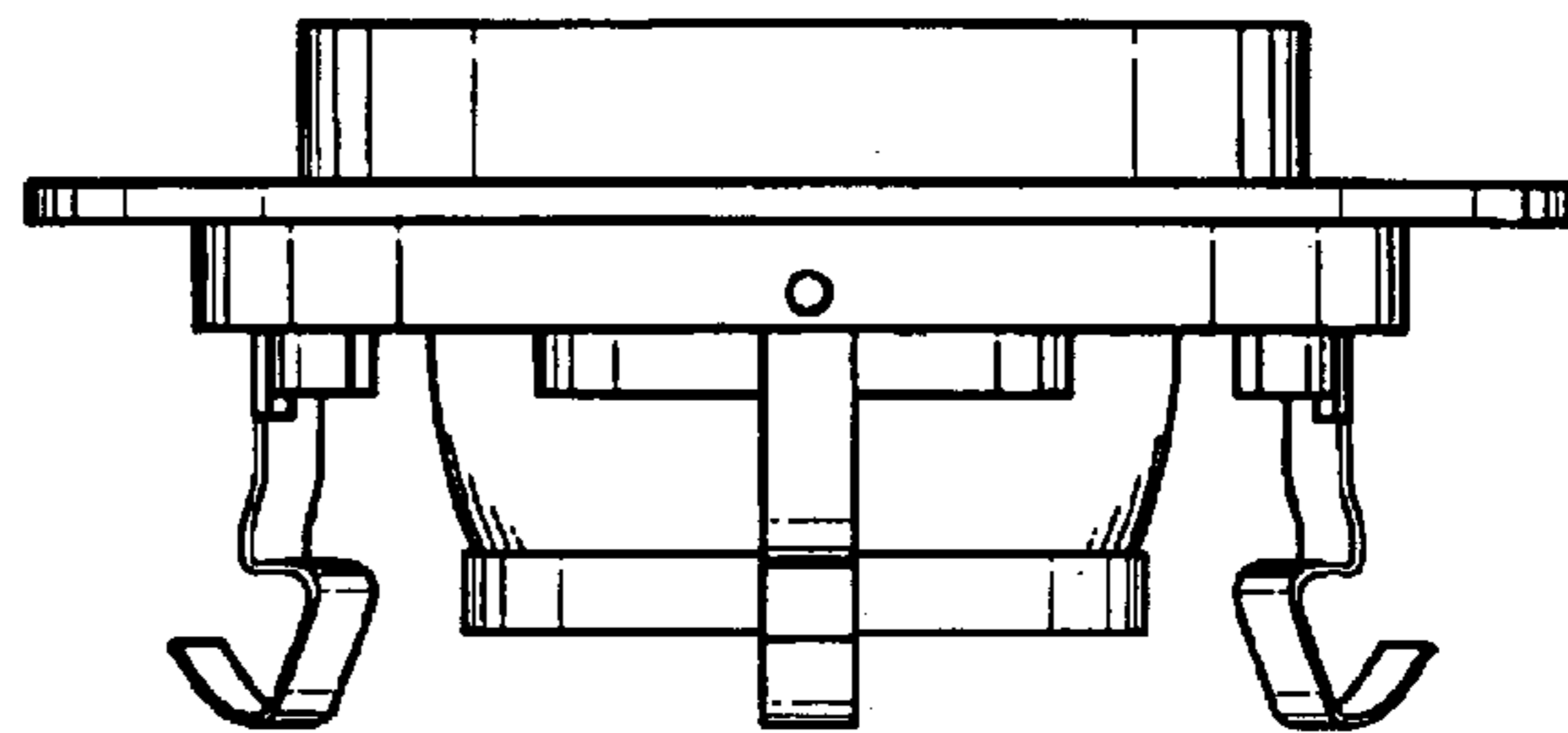


FIG.5

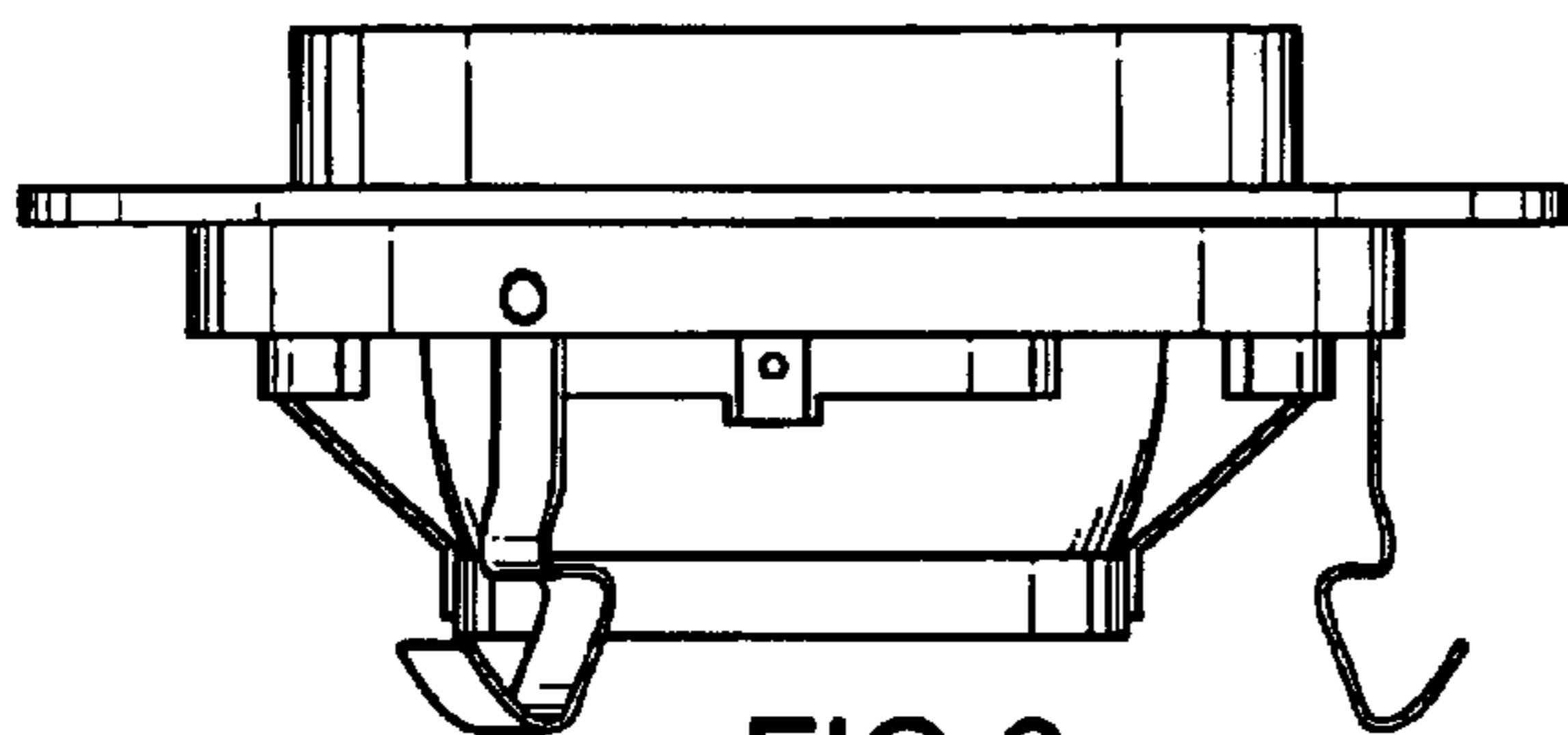


FIG.6

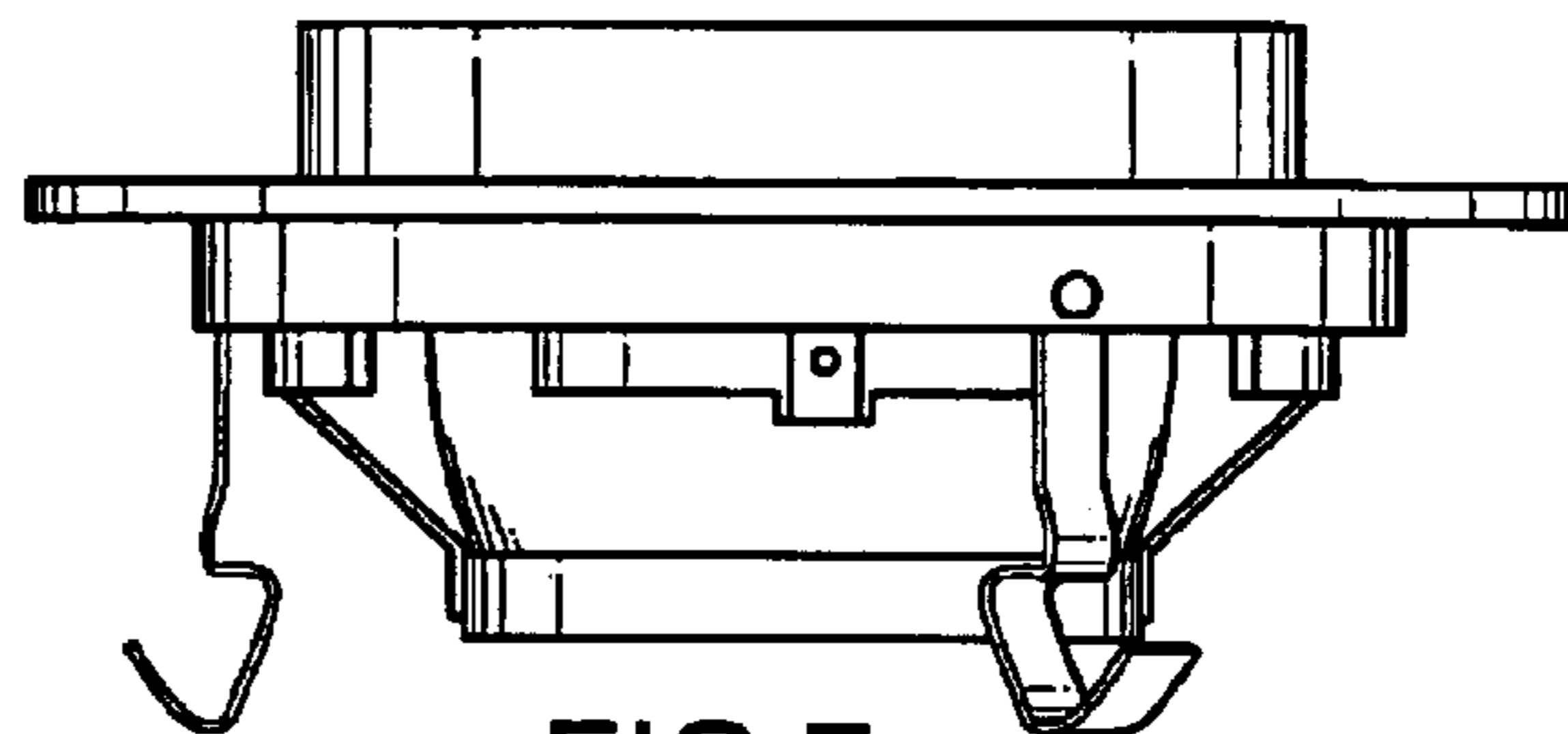


FIG.7