



US00D516234S

(12) **United States Design Patent** (10) **Patent No.:** **US D516,234 S**  
**Holsinger et al.** (45) **Date of Patent:** **\*\* Feb. 28, 2006**

(54) **FLASHLIGHT**

(75) Inventors: **Philip M. Holsinger**, Topeka, KS (US);  
**David C. Thornhill**, Wichita, KS (US)

(73) Assignee: **The Coleman Company, Inc.**, Wichita, KS (US)

(\*\*) Term: **14 Years**

(21) Appl. No.: **29/216,937**

(22) Filed: **Nov. 10, 2004**

(51) **LOC (8) Cl.** ..... **26-02**

(52) **U.S. Cl.** ..... **D26/37**

(58) **Field of Classification Search** ..... D26/37-50;  
362/157, 158, 171-174, 183-208  
See application file for complete search history.

(56) **References Cited**

**U.S. PATENT DOCUMENTS**

D89,969 S	5/1933	Mitchell
2,492,946 A	1/1950	Barber
4,229,782 A	10/1980	Ruud et al.
4,261,030 A	4/1981	Hernandez
4,386,824 A	6/1983	Draper
4,570,205 A	2/1986	Shiojiri
4,833,578 A	5/1989	Schaller et al.
4,953,063 A	8/1990	Nino
4,964,025 A	10/1990	Smith
4,992,911 A	2/1991	Ressia
D339,647 S	9/1993	Kawashima et al.
5,271,077 A	12/1993	Brockman et al.
5,289,356 A	2/1994	Winston
5,335,152 A	8/1994	Winston
5,424,927 A	6/1995	Schaller et al.
5,816,693 A	10/1998	Winston et al.
6,048,084 A	4/2000	Sedovic et al.
D480,824 S	10/2003	Englert et al.
D480,825 S	10/2003	Englert et al.

D480,826 S 10/2003 Englert et al.  
6,769,787 B2 8/2004 Ferguson et al.  
D507,370 S \* 7/2005 Marshall et al. .... D26/37

**OTHER PUBLICATIONS**

VistaLite™, “Headlights and Combos: Road Toad”, 2pgs (2003) printed at [http://www.vistalite.com/vistalite\\_03/03headlights.html](http://www.vistalite.com/vistalite_03/03headlights.html) on Mar. 10, 2004.

\* cited by examiner

*Primary Examiner*—Marcus A. Jackson

(74) *Attorney, Agent, or Firm*—Leydig, Voit & Mayer, Ltd.

(57) **CLAIM**

The ornamental design for a flashlight, as shown and described.

**DESCRIPTION**

FIG. 1 is a top, right front perspective view of a first embodiment of a flashlight in accordance of the present invention;

FIG. 2 is a front view thereof;

FIG. 3 is a rear view thereof;

FIG. 4 is a left side view thereof;

FIG. 5 is a right side view thereof;

FIG. 6 is a top view thereof;

FIG. 7 is a bottom view thereof;

FIG. 8 is a top, right front perspective view of a second embodiment of a flashlight of the present invention;

FIG. 9 is a front view thereof;

FIG. 10 is a rear view thereof;

FIG. 11 is a left side view thereof;

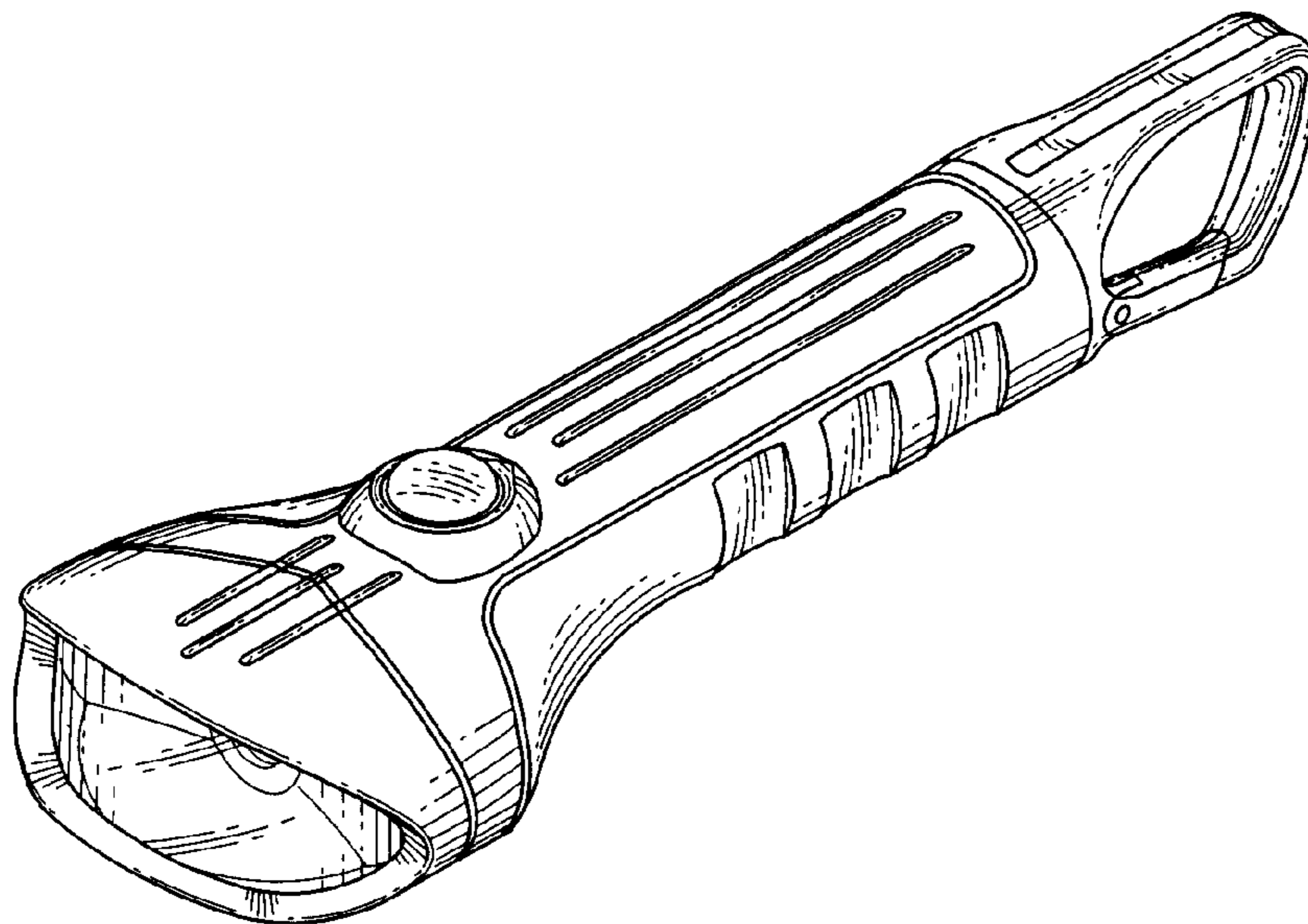
FIG. 12 is a right side view thereof;

FIG. 13 is a top view thereof; and,

FIG. 14 is a bottom view thereof.

The broken line showing is for illustrative purposes only and forms no part of the claimed design.

**1 Claim, 6 Drawing Sheets**



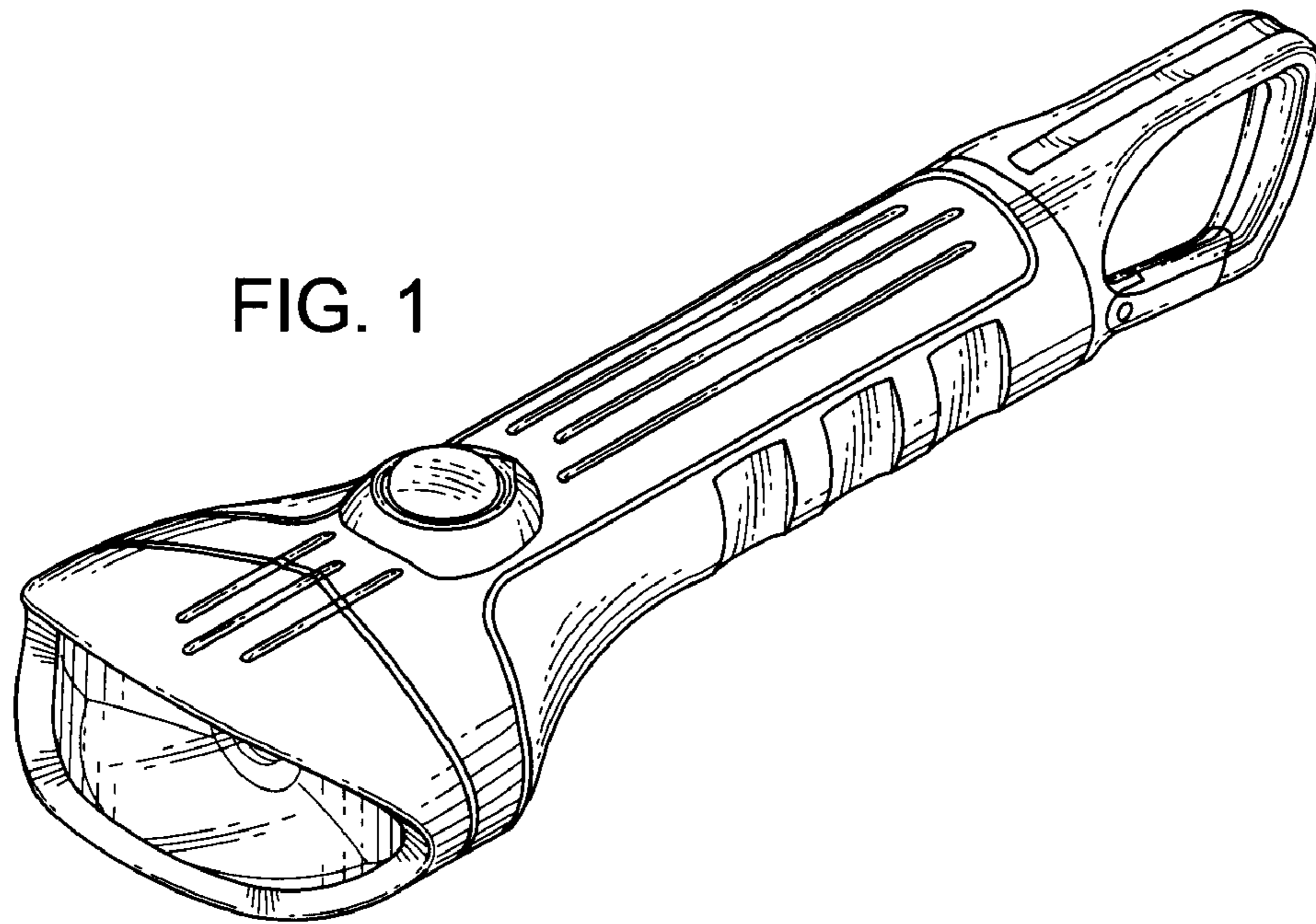


FIG. 2

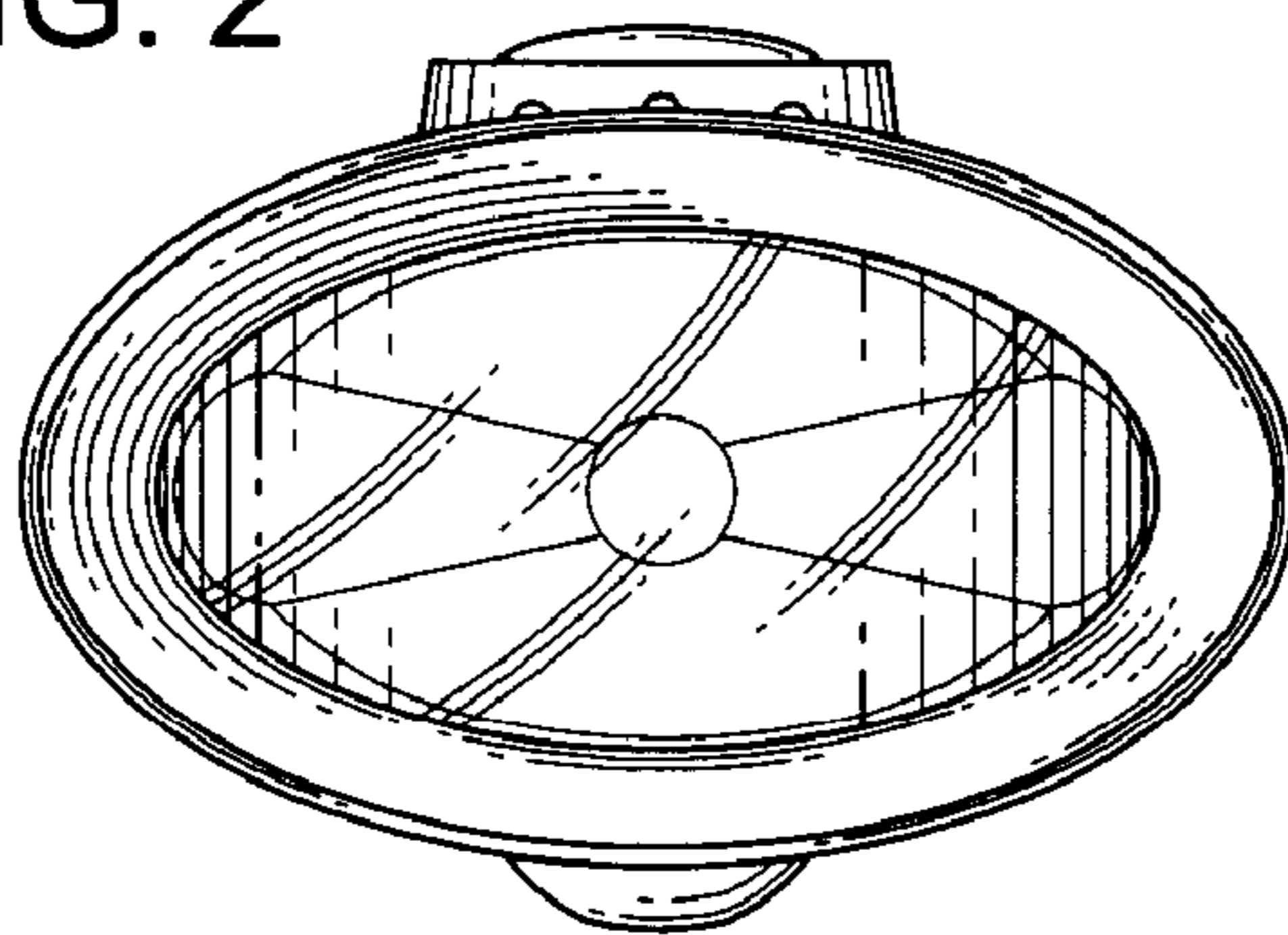


FIG. 3

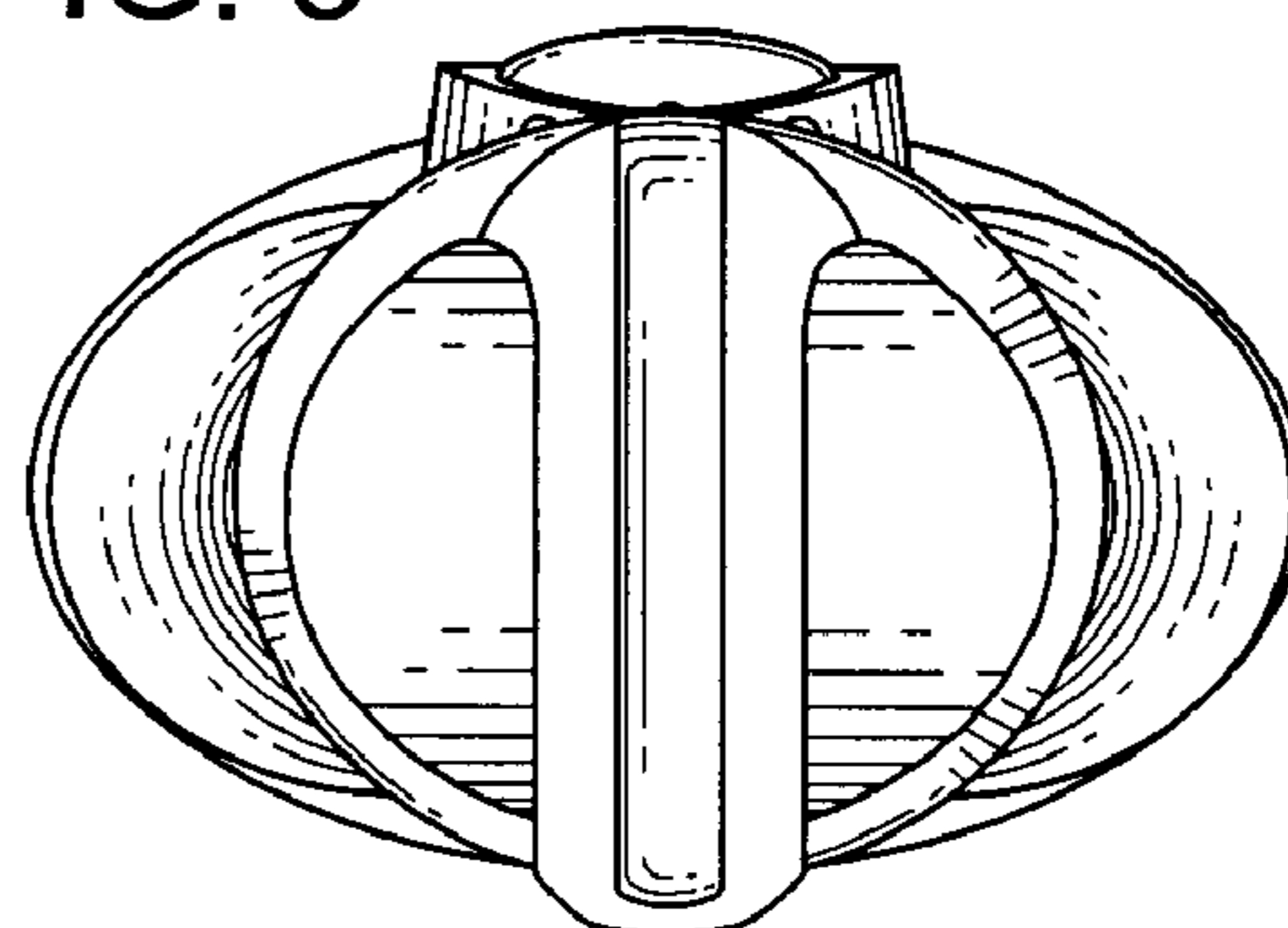


FIG. 4

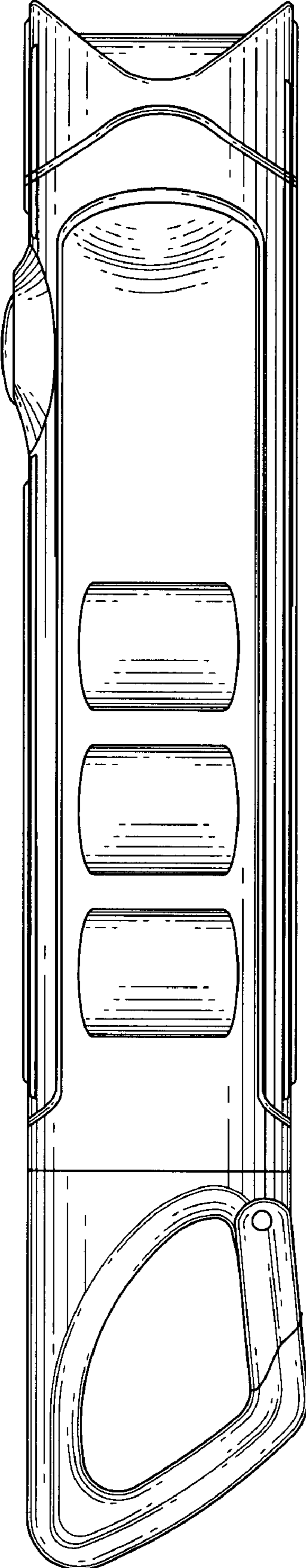
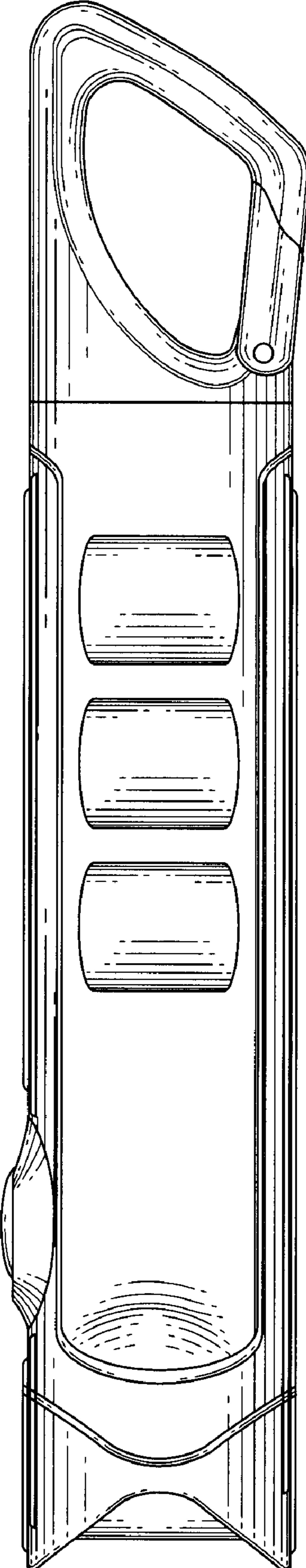
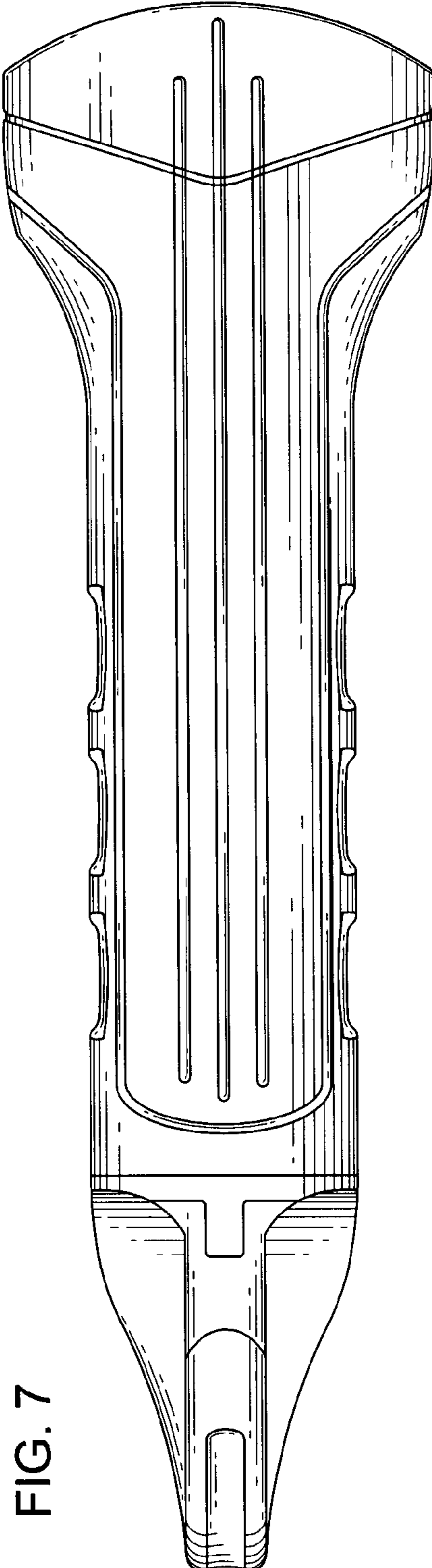
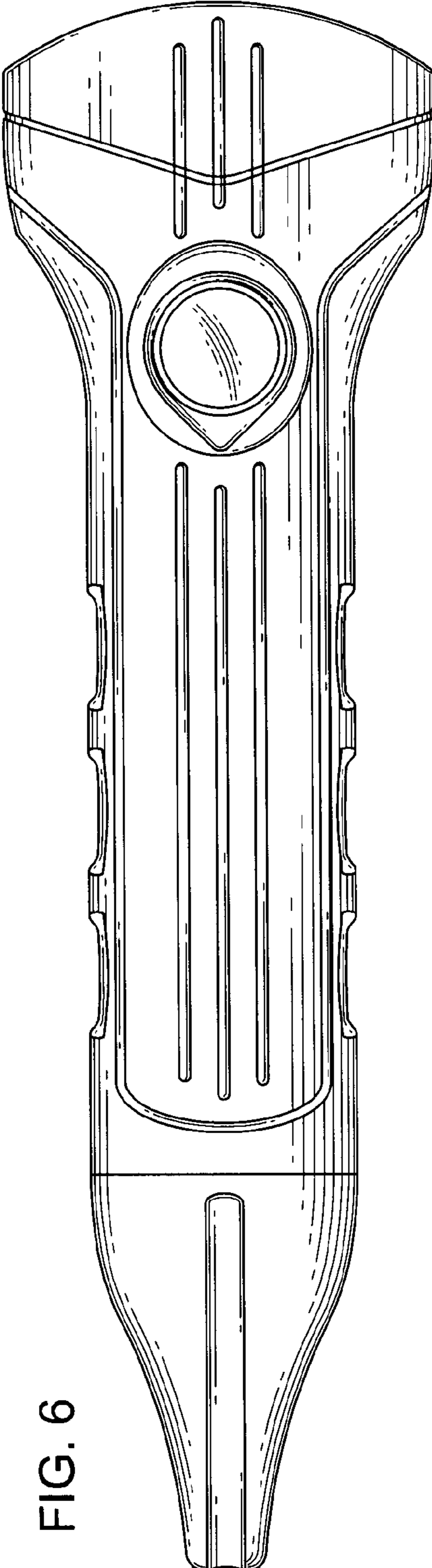


FIG. 5







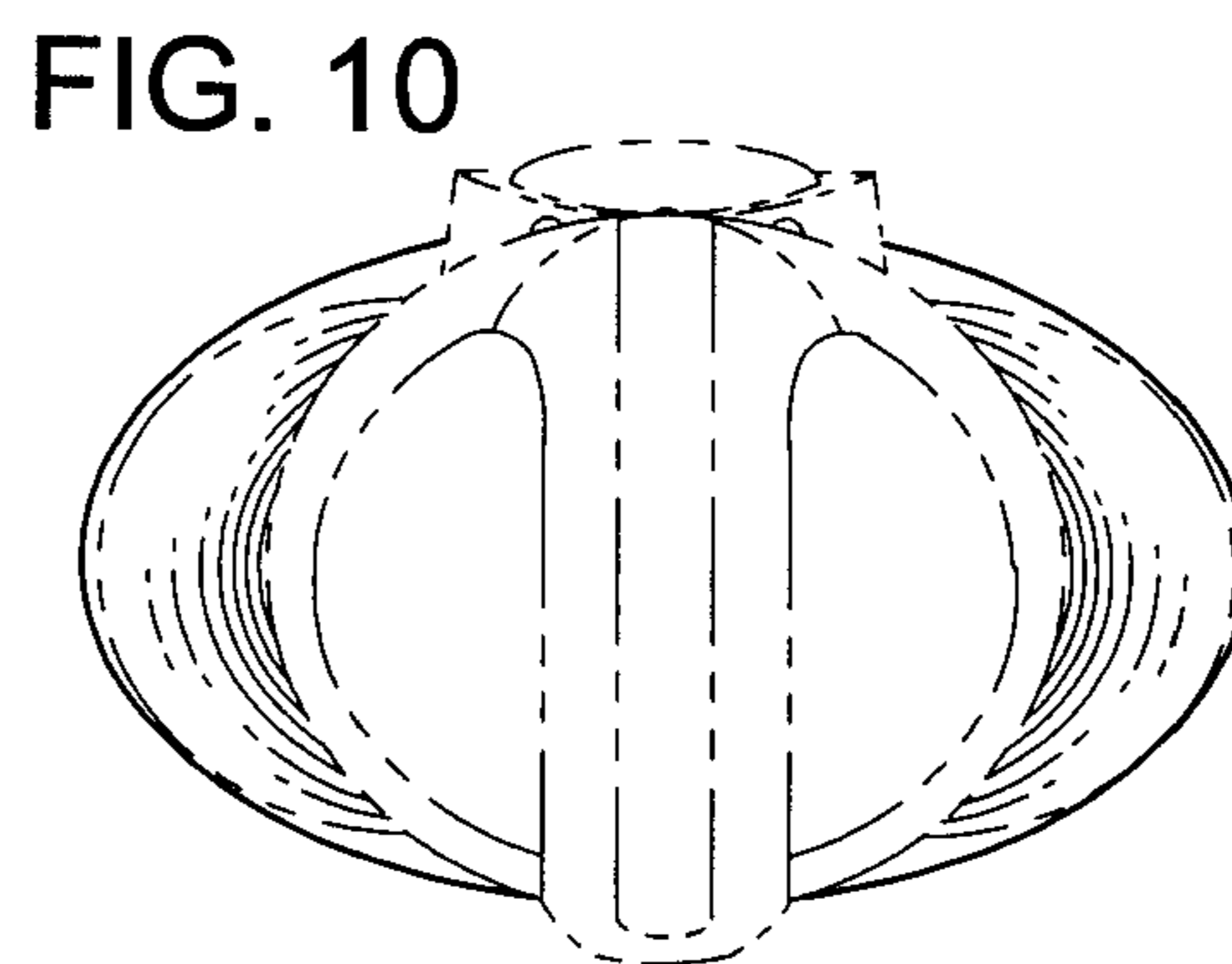
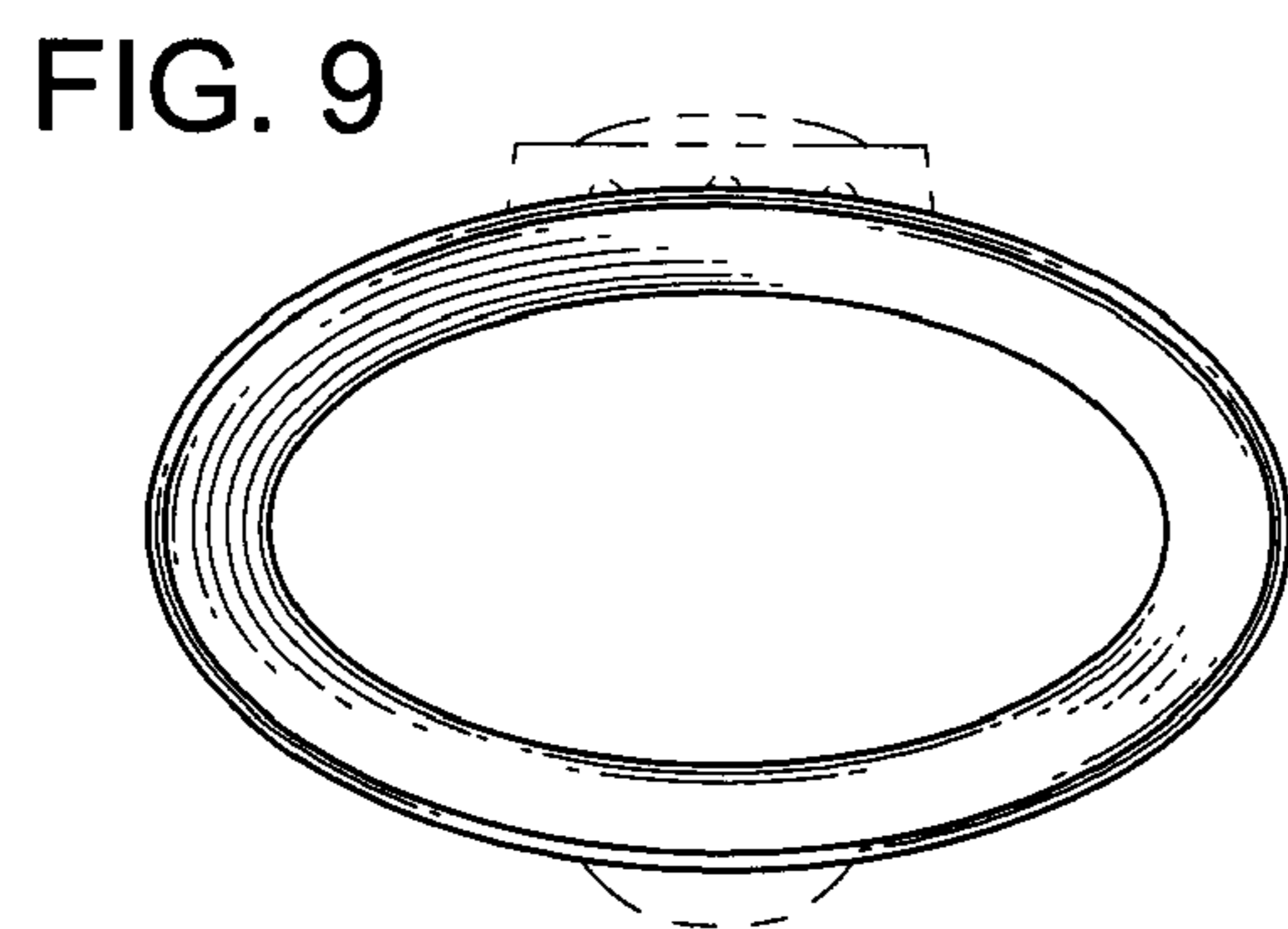
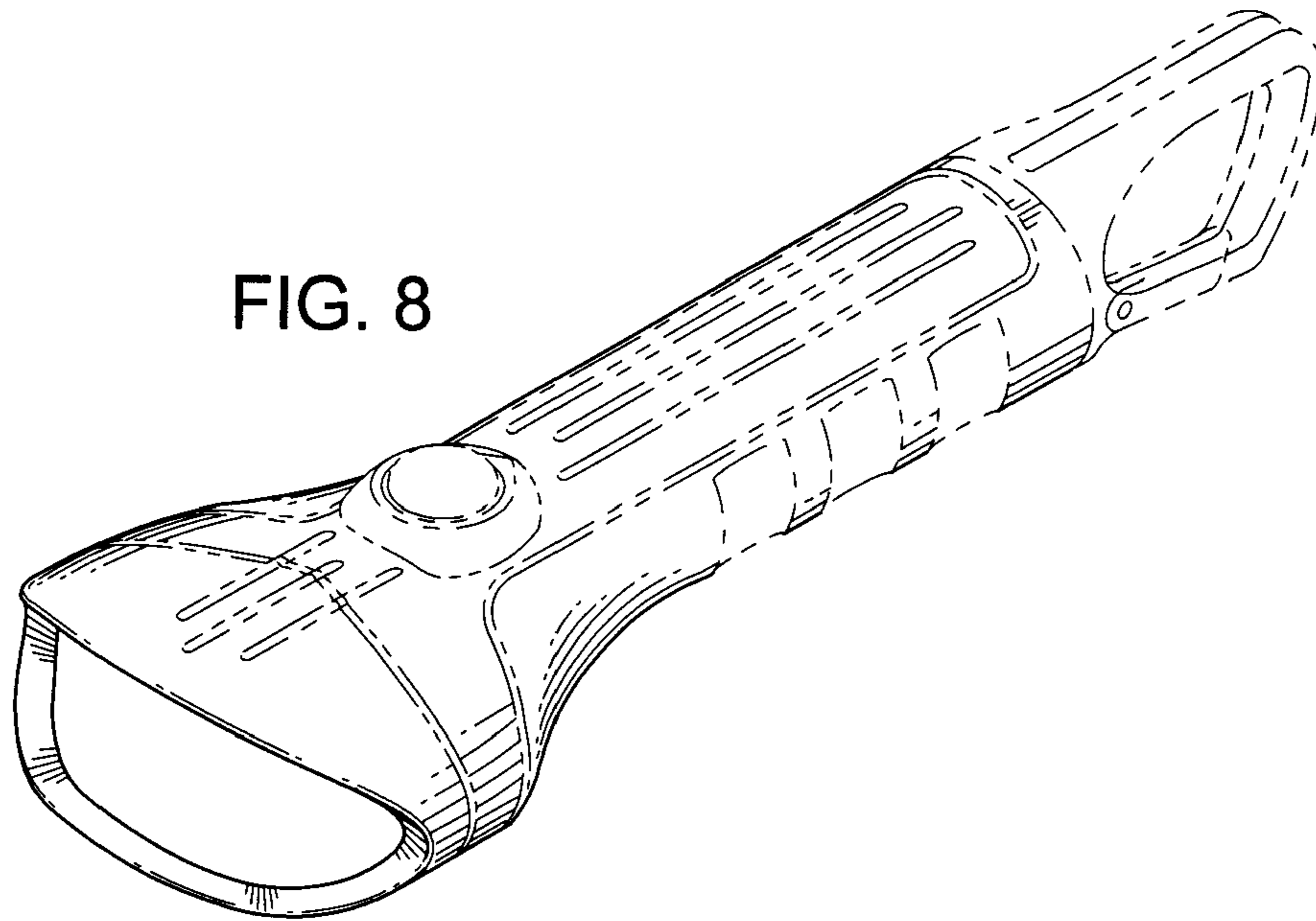


FIG. 11

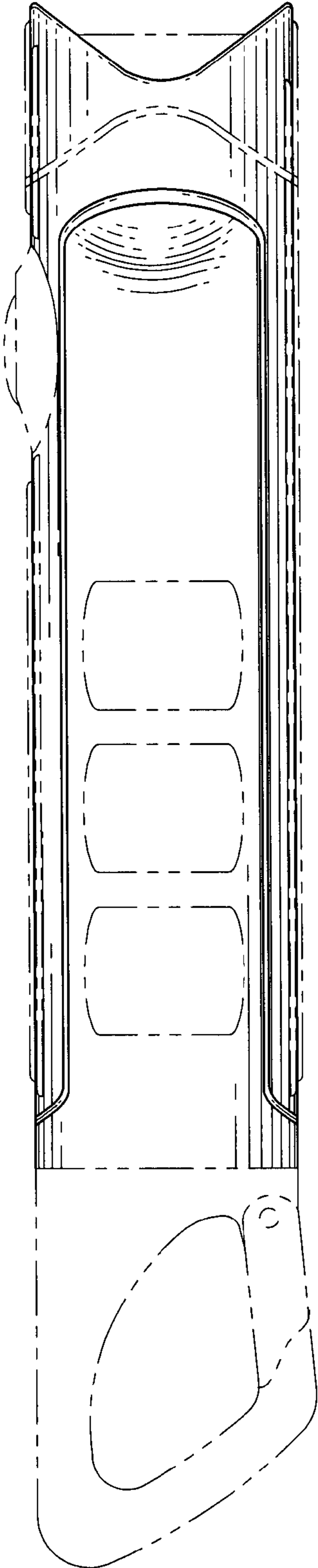
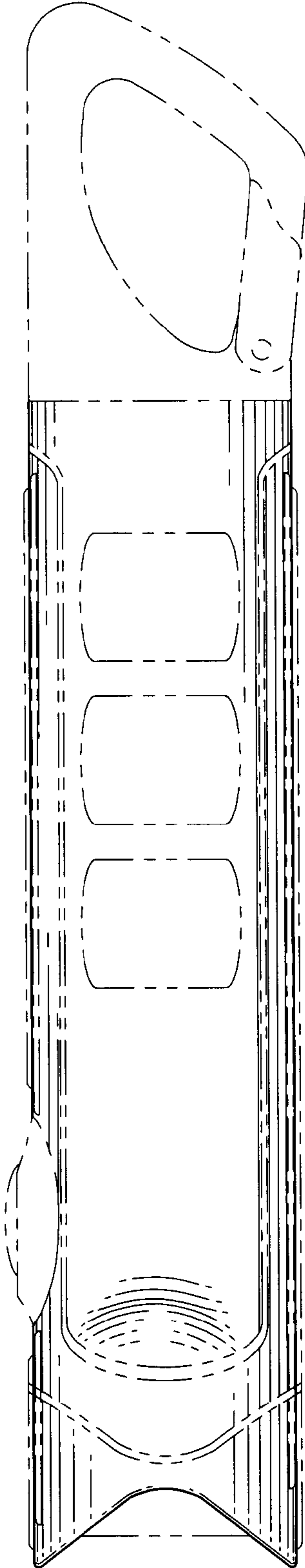


FIG. 12



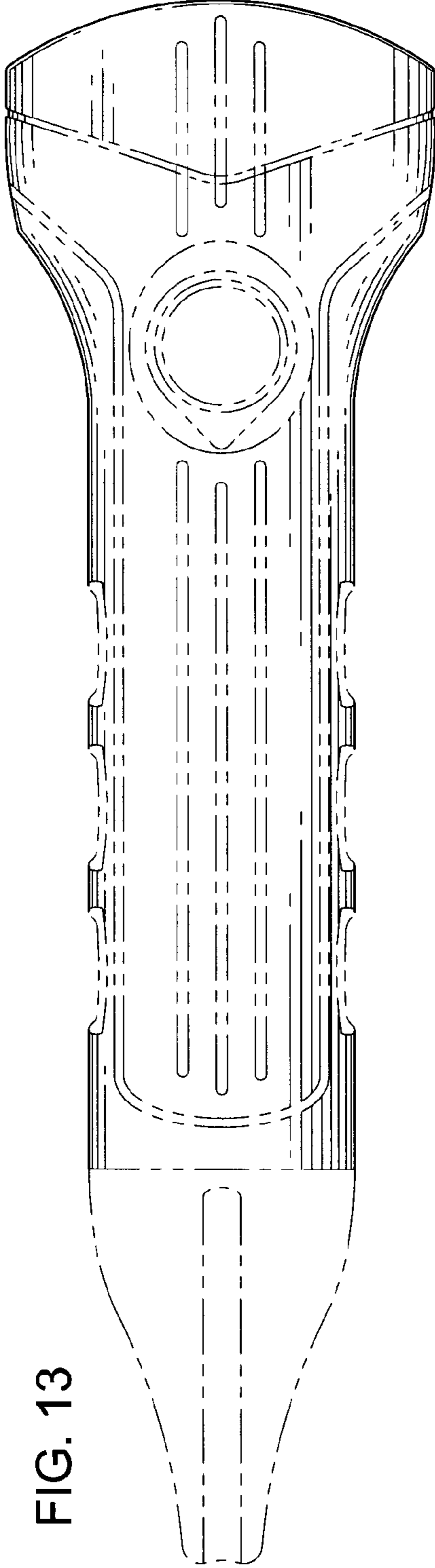


FIG. 13

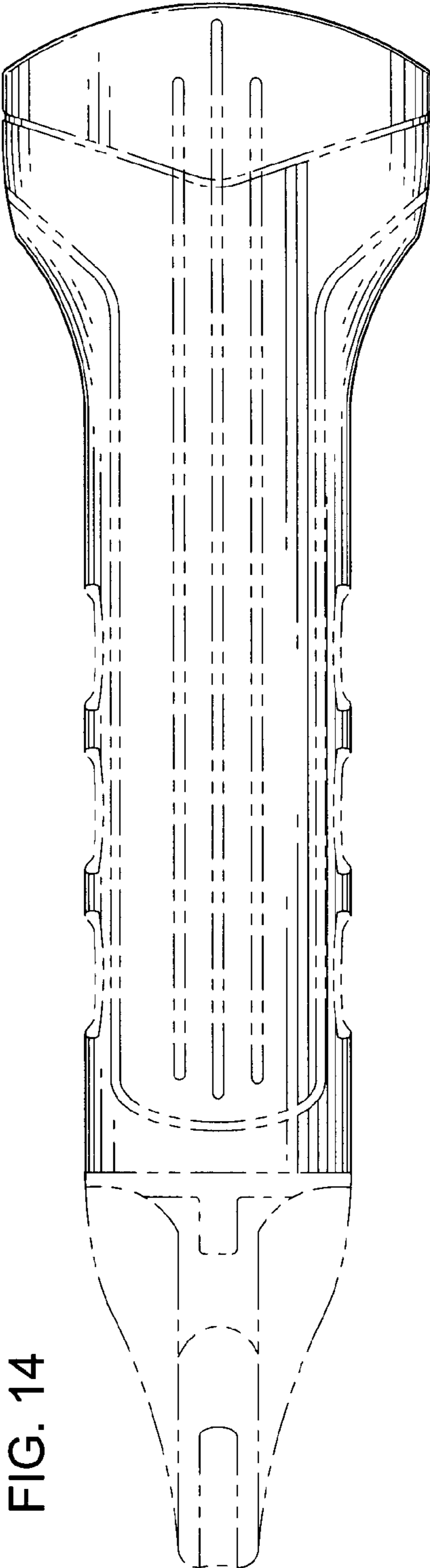


FIG. 14