



US00D516231S

(12) **United States Design Patent**
Foo

(10) **Patent No.:** **US D516,231 S**
(45) **Date of Patent:** **** Feb. 28, 2006**

- (54) **FLUORESCENT LAMP**
- (75) Inventor: **Onn Fah Foo**, Kowloon (HK)
- (73) Assignee: **Mass Technology (H.K.) Limited**,
Kowloon (HK)
- (**) Term: **14 Years**
- (21) Appl. No.: **29/216,834**
- (22) Filed: **Nov. 10, 2004**
- (30) **Foreign Application Priority Data**
Sep. 14, 2004 (HK) 0412080
- (51) **LOC (8) Cl.** **26-04**
- (52) **U.S. Cl.** **D26/3**
- (58) **Field of Classification Search** D26/1-4;
313/313, 315, 317, 318, 493; 315/56, 57,
315/58, 63
See application file for complete search history.

- D430,318 S * 8/2000 Choi D26/3
- D439,681 S * 3/2001 Choi D26/3
- D447,823 S * 9/2001 Choi D26/3
- D464,154 S * 10/2002 Xu D26/3

* cited by examiner

Primary Examiner—Marcus A. Jackson
(74) *Attorney, Agent, or Firm*—Rabin & Berdo, P.C.

(57) **CLAIM**

The ornamental design for fluorescent lamp, as shown and described.

DESCRIPTION

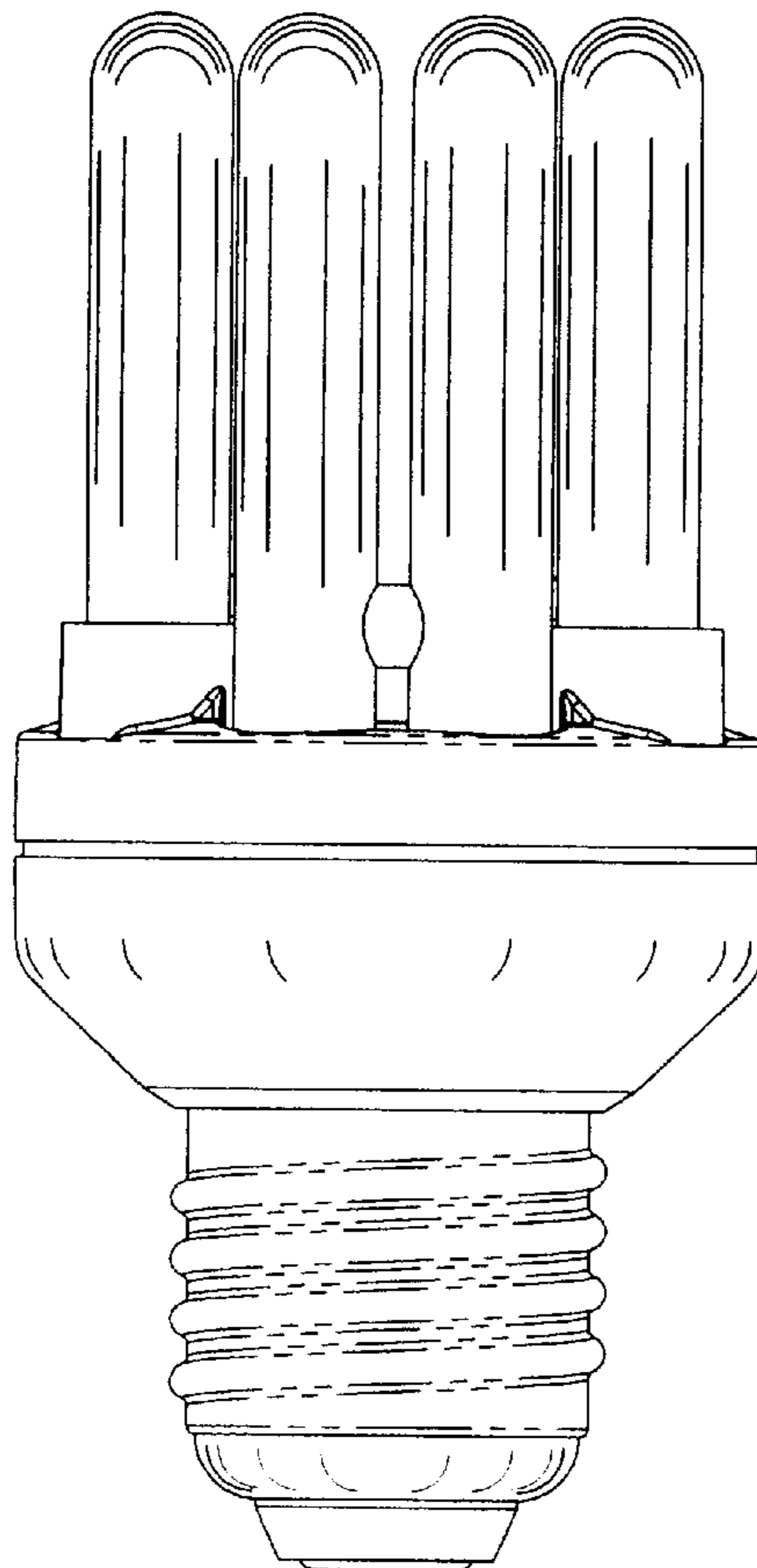
FIG. 1 is a front view of fluorescent lamp showing my new design;
FIG. 2 is a rear view thereof;
FIG. 3 is a left side view thereof;
FIG. 4 is a right side view thereof;
FIG. 5 is a top view thereof; and,
FIG. 6 is a bottom view thereof.

(56) **References Cited**

U.S. PATENT DOCUMENTS

- D426,324 S * 6/2000 Gunsagar et al. D26/3

1 Claim, 3 Drawing Sheets



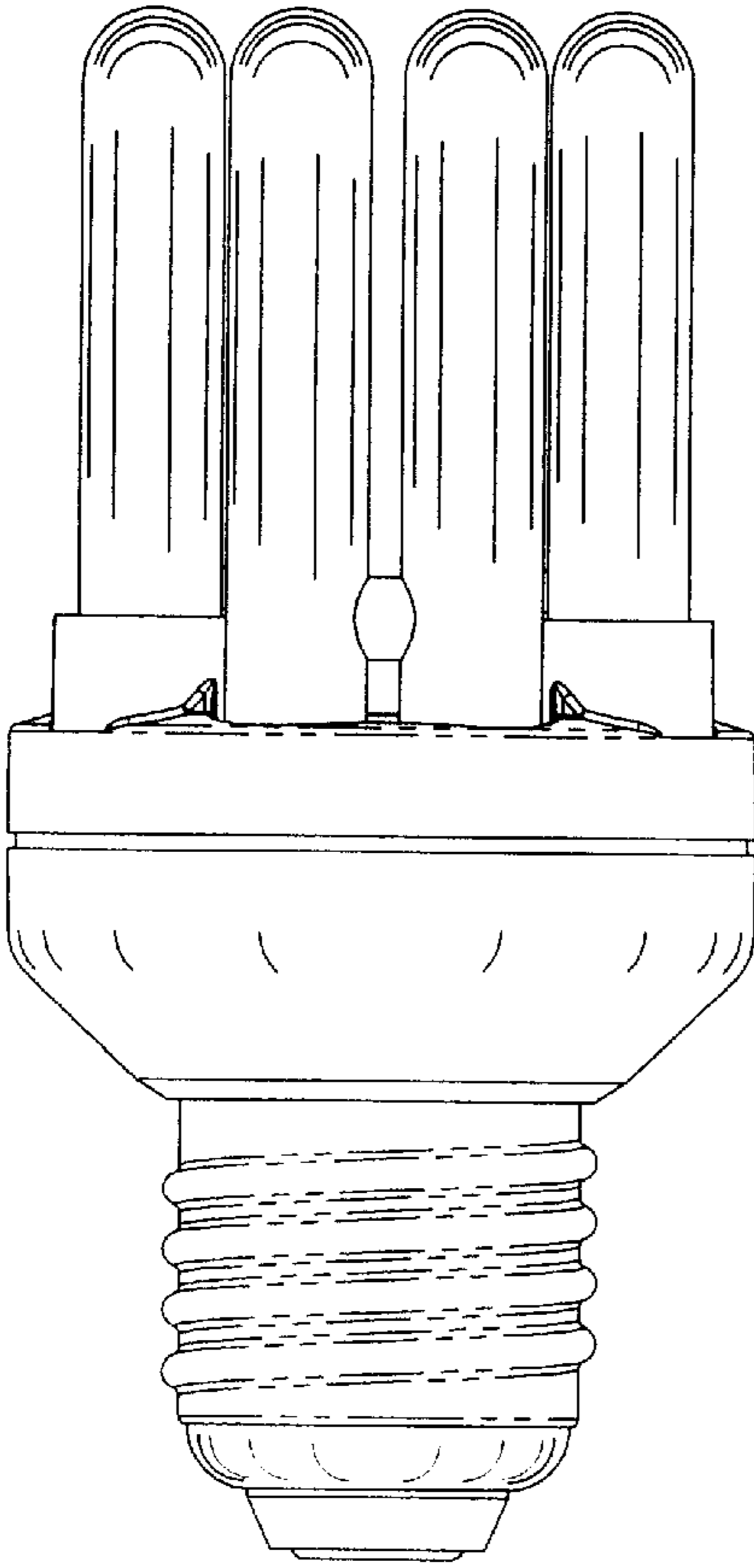


Fig. 1

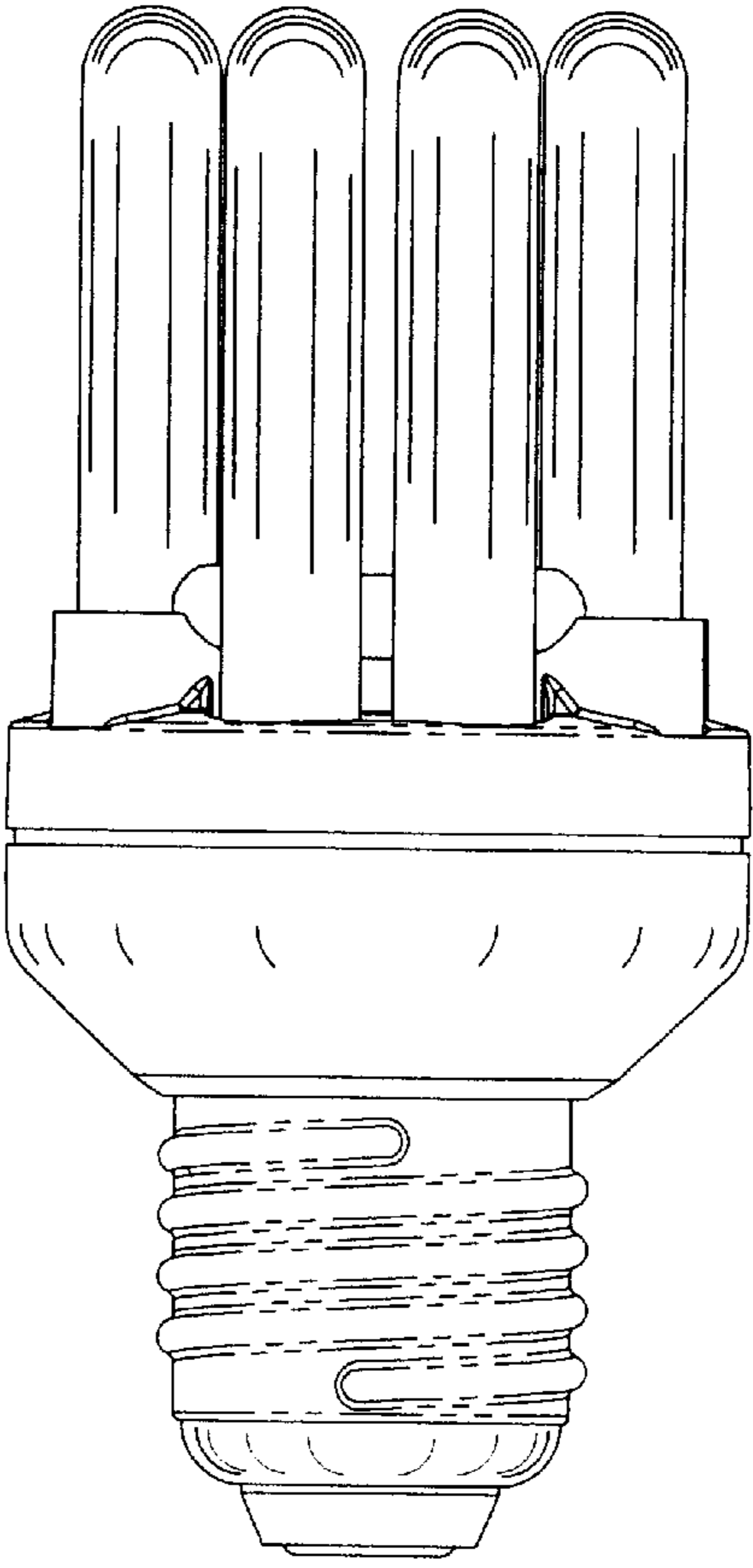


Fig. 2

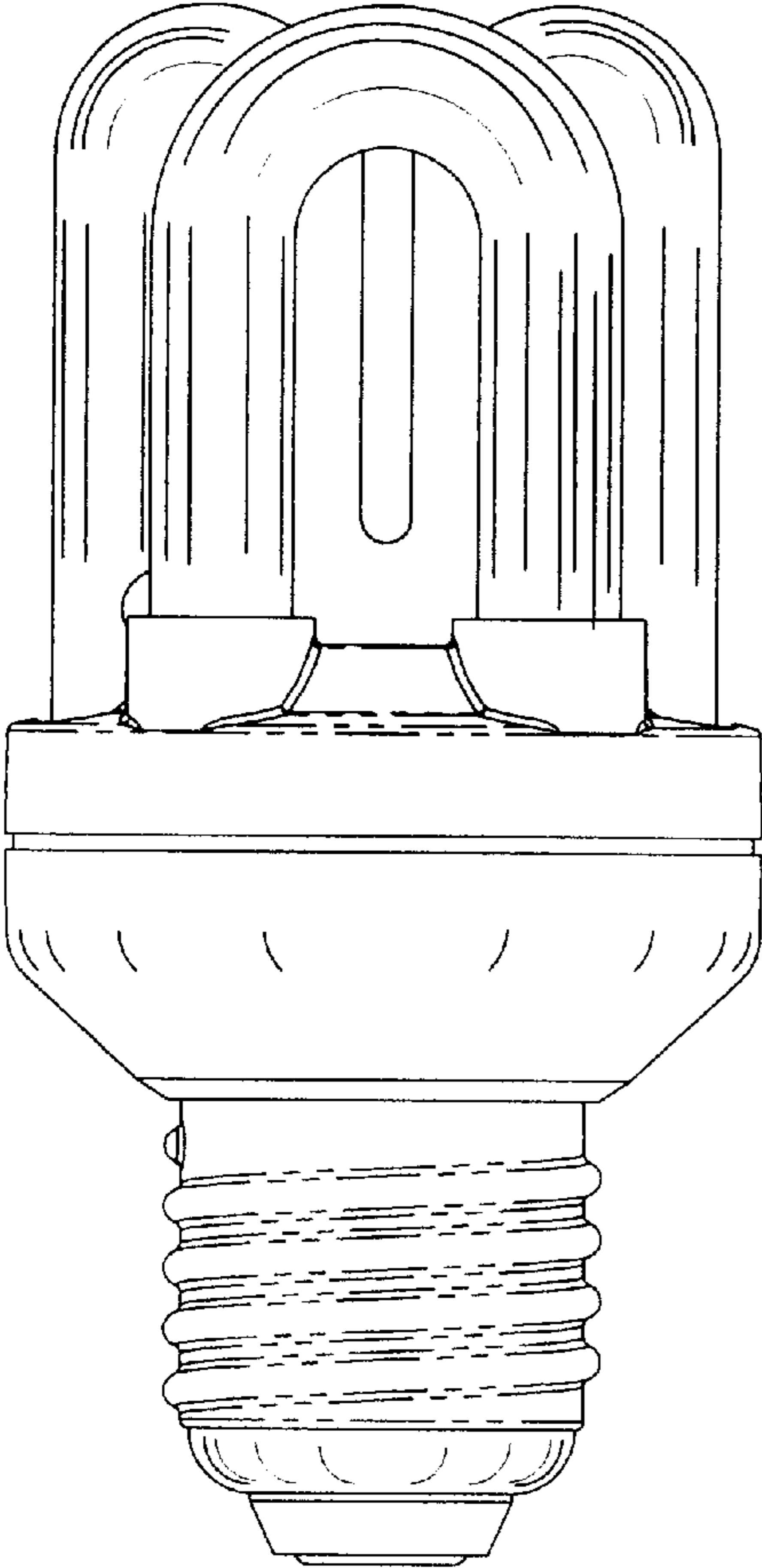


Fig. 3

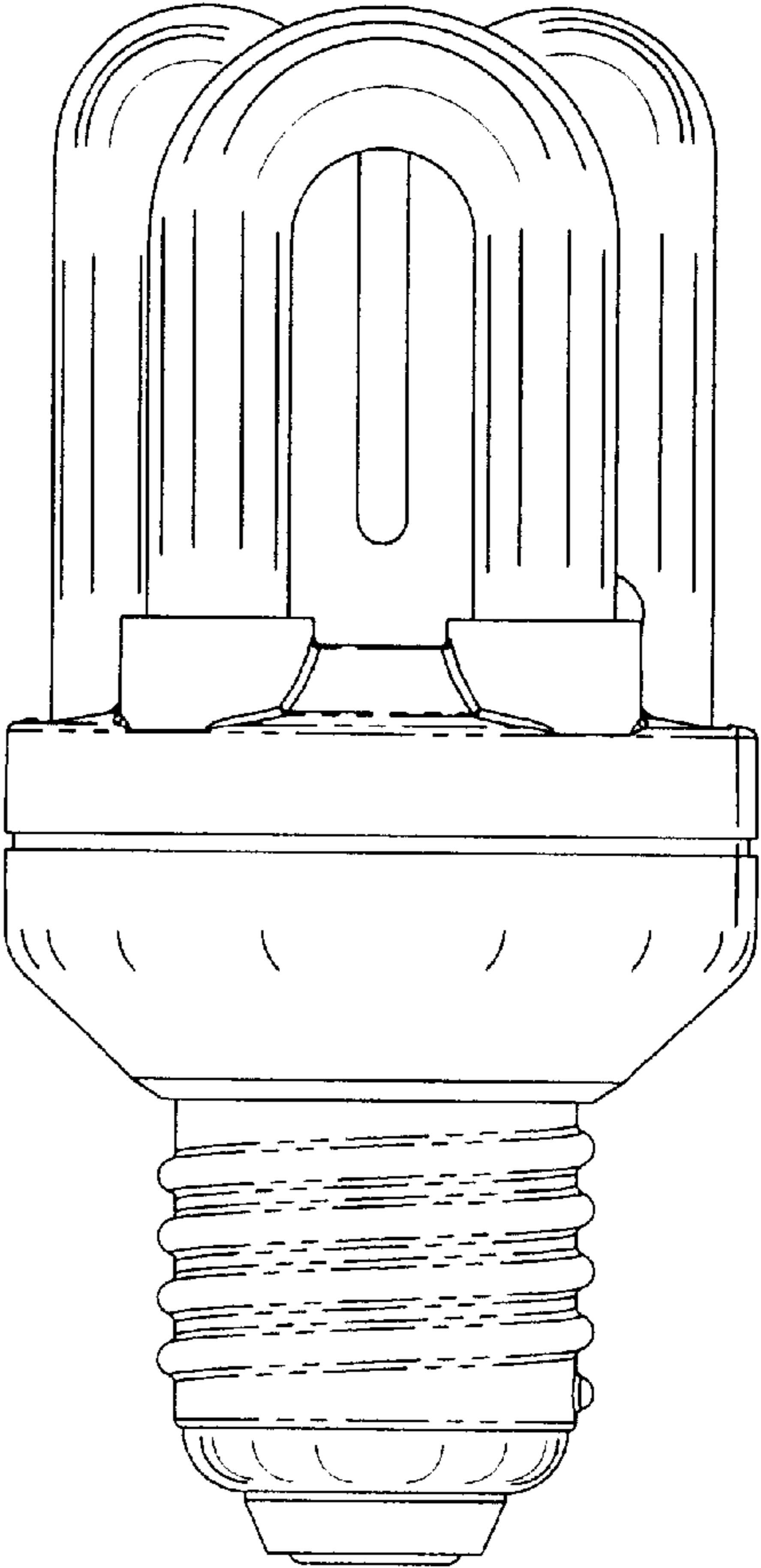


Fig. 4

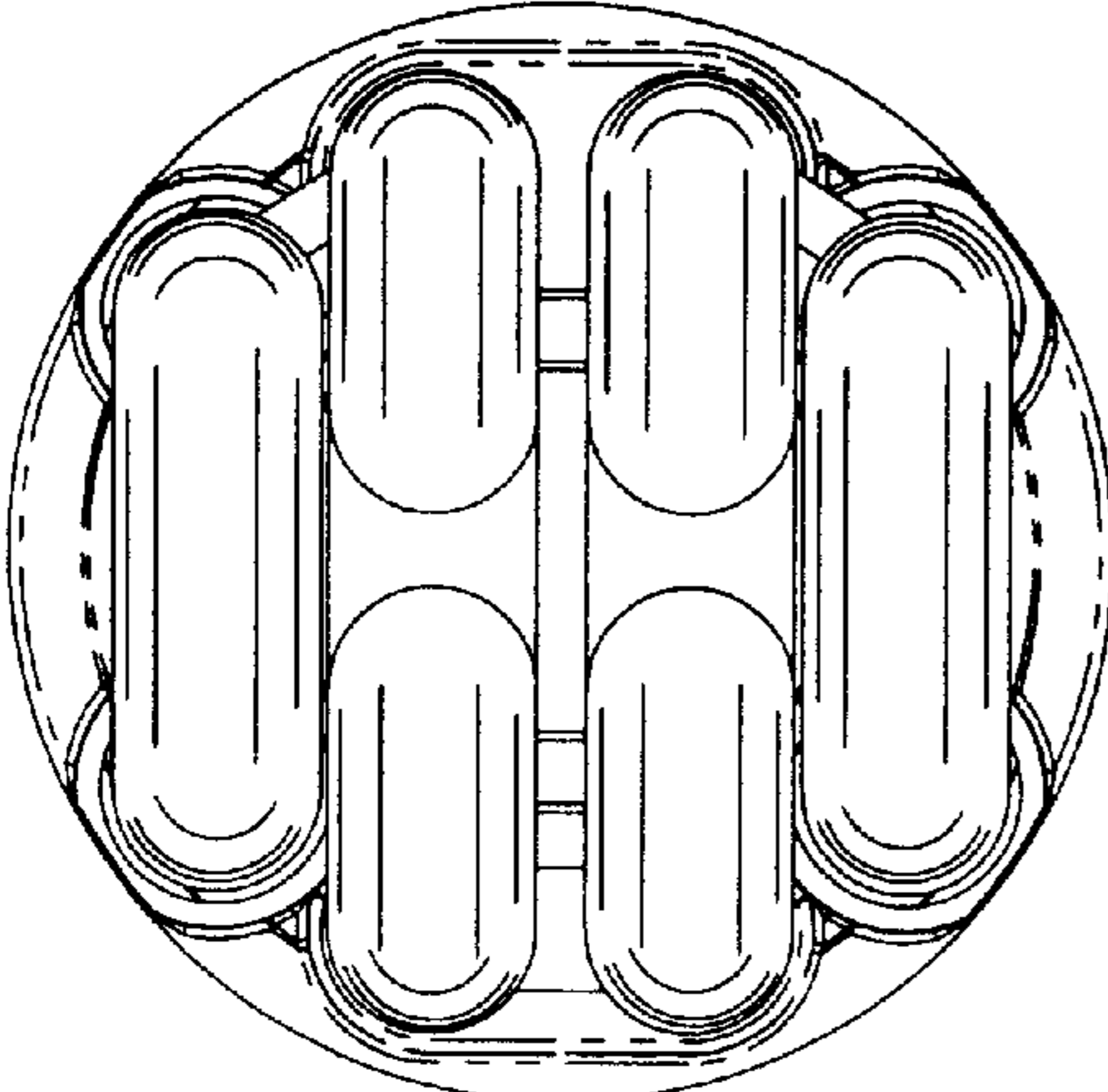


Fig. 5

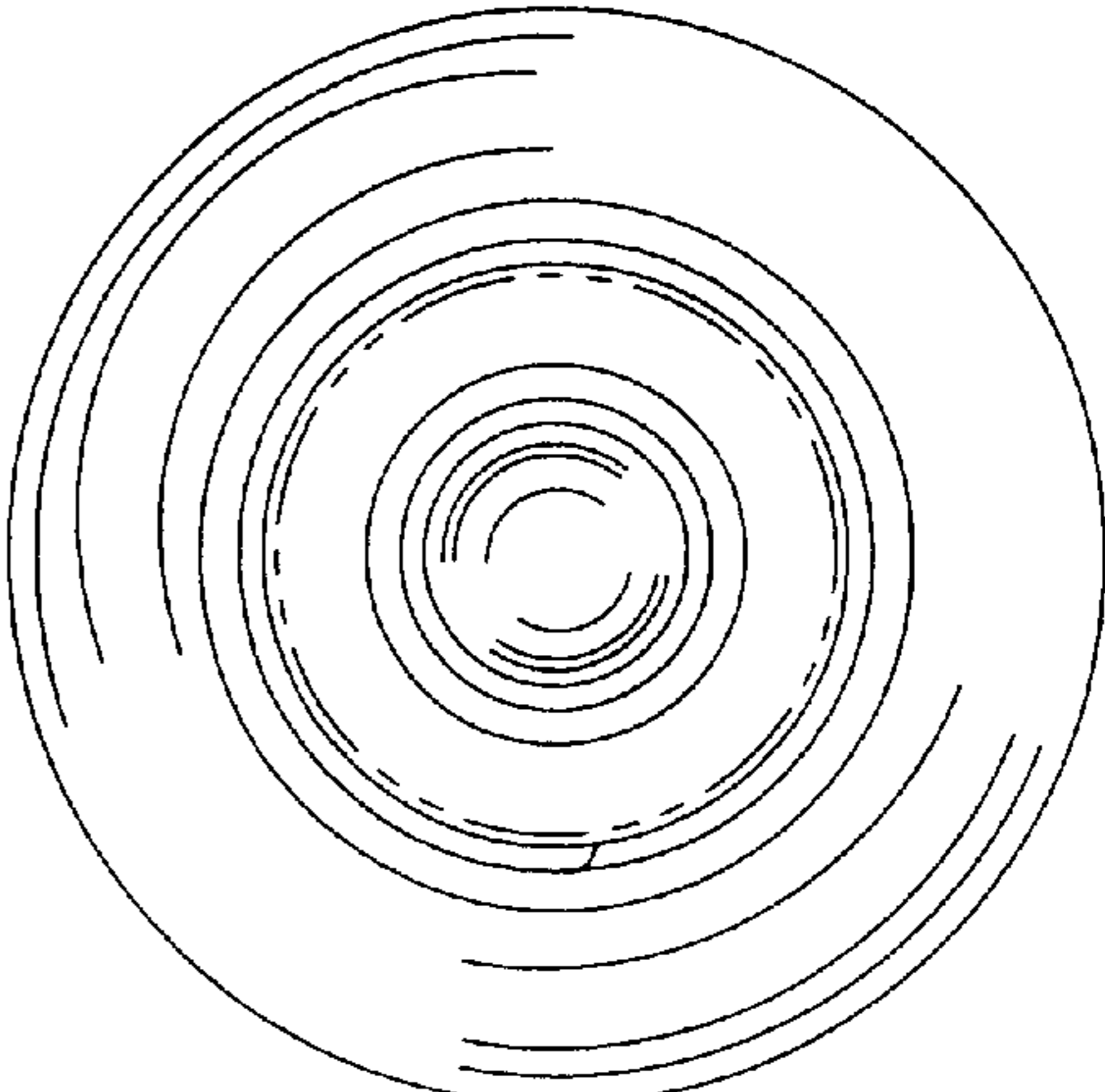


Fig. 6