



US00D516227S

(12) **United States Design Patent** (10) **Patent No.:** **US D516,227 S**
Price (45) **Date of Patent:** **** Feb. 28, 2006**

(54) **LADDER ORGANIZER**

(76) Inventor: **David R. Price**, 3696 Yale Bridge Rd.,
Rockton, IL (US) 61072

(**) Term: **14 Years**

(21) Appl. No.: **29/204,453**

(22) Filed: **Apr. 29, 2004**

(51) **LOC (8) Cl.** **25-04**

(52) **U.S. Cl.** **D25/68; D3/315**

(58) **Field of Classification Search** D25/68;
182/129; D3/315; 248/238, 210

See application file for complete search history.

(56) **References Cited**

U.S. PATENT DOCUMENTS

4,653,713 A	3/1987	Hamilton	
4,730,802 A	3/1988	Chatham et al.	
D361,664 S	8/1995	Brown	
5,542,553 A	8/1996	Penniman	
5,727,649 A	3/1998	Buckley	
5,782,314 A	7/1998	Zeitler	
5,813,530 A	9/1998	Kornblatt	
D404,502 S *	1/1999	Shanahan D25/68
5,865,409 A *	2/1999	Nimer 248/210
5,901,998 A	5/1999	Gallo, Jr.	
5,913,380 A	6/1999	Gugel et al.	
5,941,344 A	8/1999	Spadaro	
6,564,941 B2	5/2003	Hedges	

D484,251 S * 12/2003 Pruet et al. D25/68

* cited by examiner

Primary Examiner—Doris Clark

(74) *Attorney, Agent, or Firm*—Keith Frantz

(57) **CLAIM**

The ornamental design for a ladder organizer, as shown and described.

DESCRIPTION

FIG. 1 is a perspective view of an ladder organizer showing my new design.

FIG. 2 is an alternate perspective view thereof.

FIG. 3 is a top plan view thereof.

FIG. 4 is a bottom plan view thereof.

FIG. 5 is a back elevation view thereof.

FIG. 6 is a front elevation view thereof.

FIG. 7 is cross-section view taken along line 7—7 of FIG. 3.

FIG. 8 is cross-section view taken along line 8—8 of FIG. 3.

FIG. 9 is a left side elevation view thereof.

FIG. 10 is a right side elevation view thereof.

FIG. 11 is cross-section view taken along line 11—11 of FIG. 3.

FIG. 12 is a perspective view similar to FIG. 1 with optional dividers, shown in dashed lines, as located in the ladder organizer, the dividers forming no part of the claimed invention; and,

FIG. 13 is an alternate perspective view thereof.

1 Claim, 5 Drawing Sheets

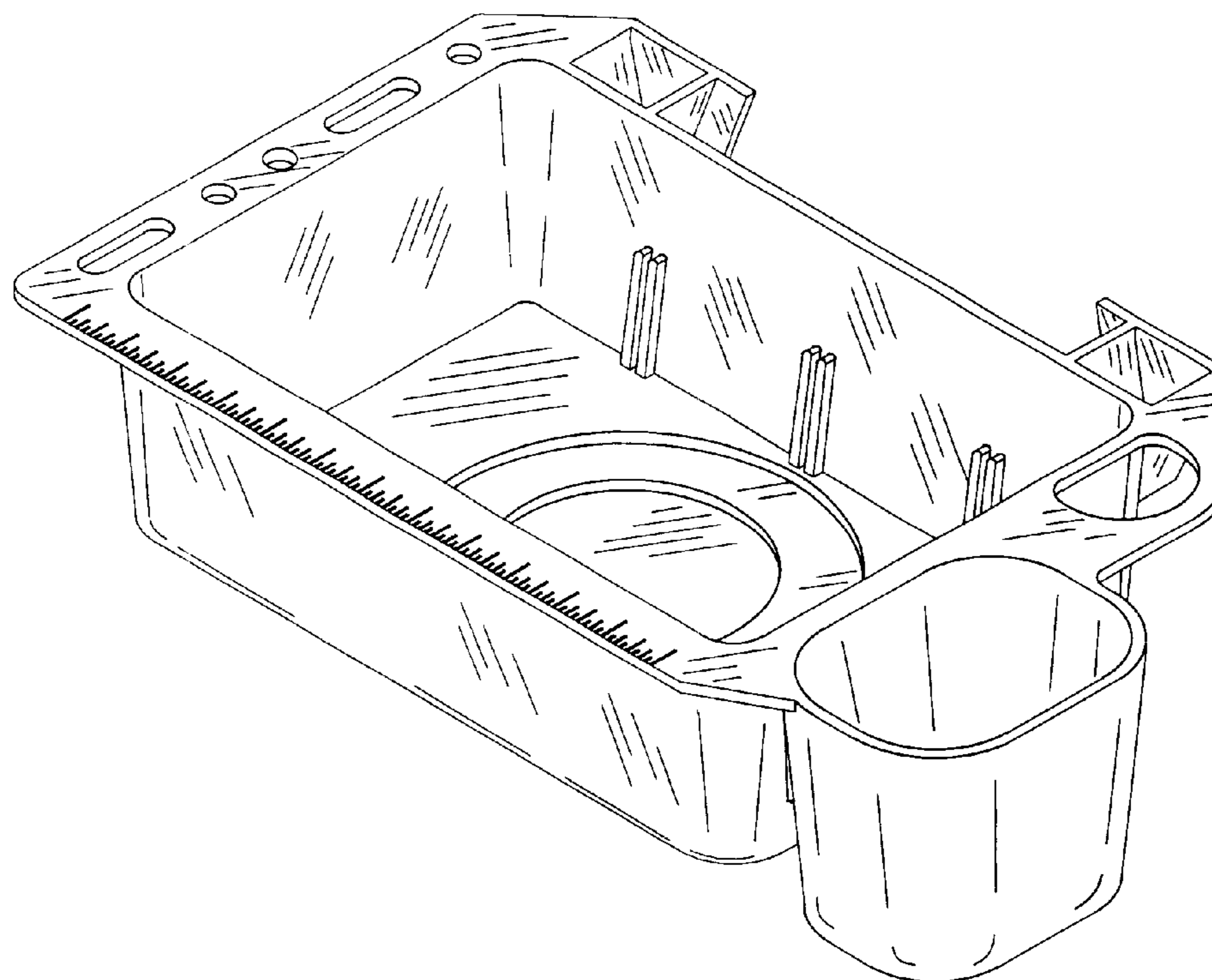


FIG. 1

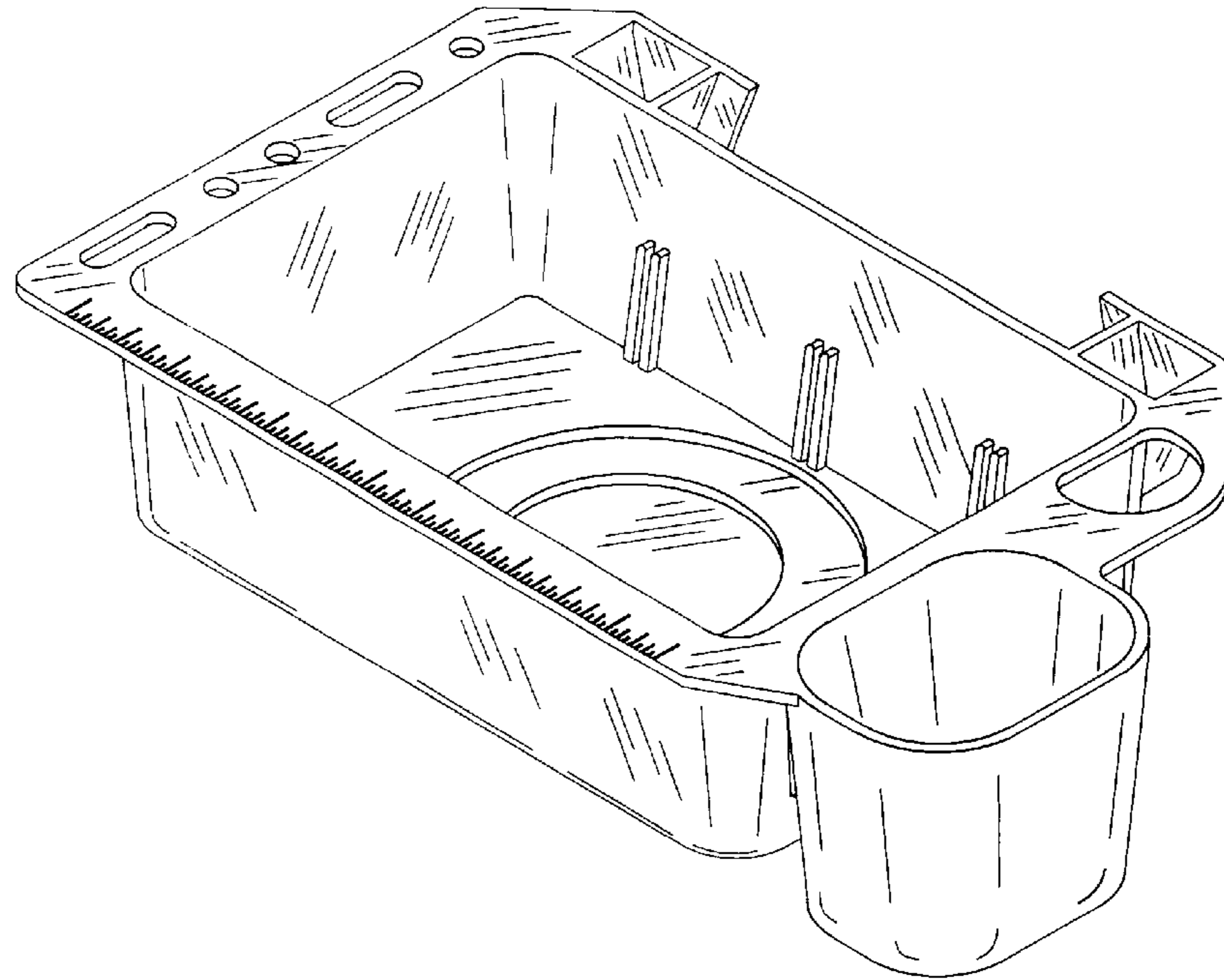
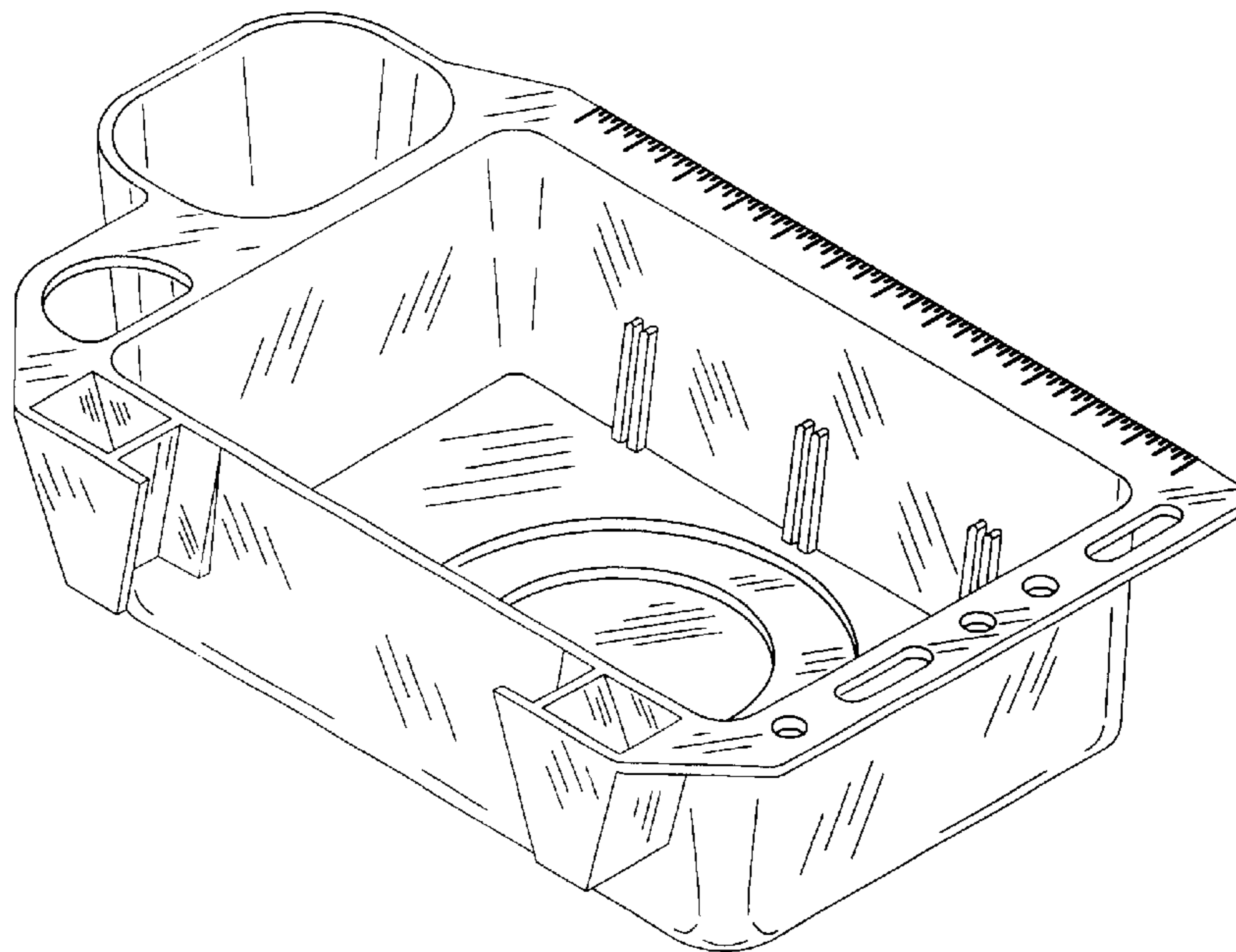


FIG. 2



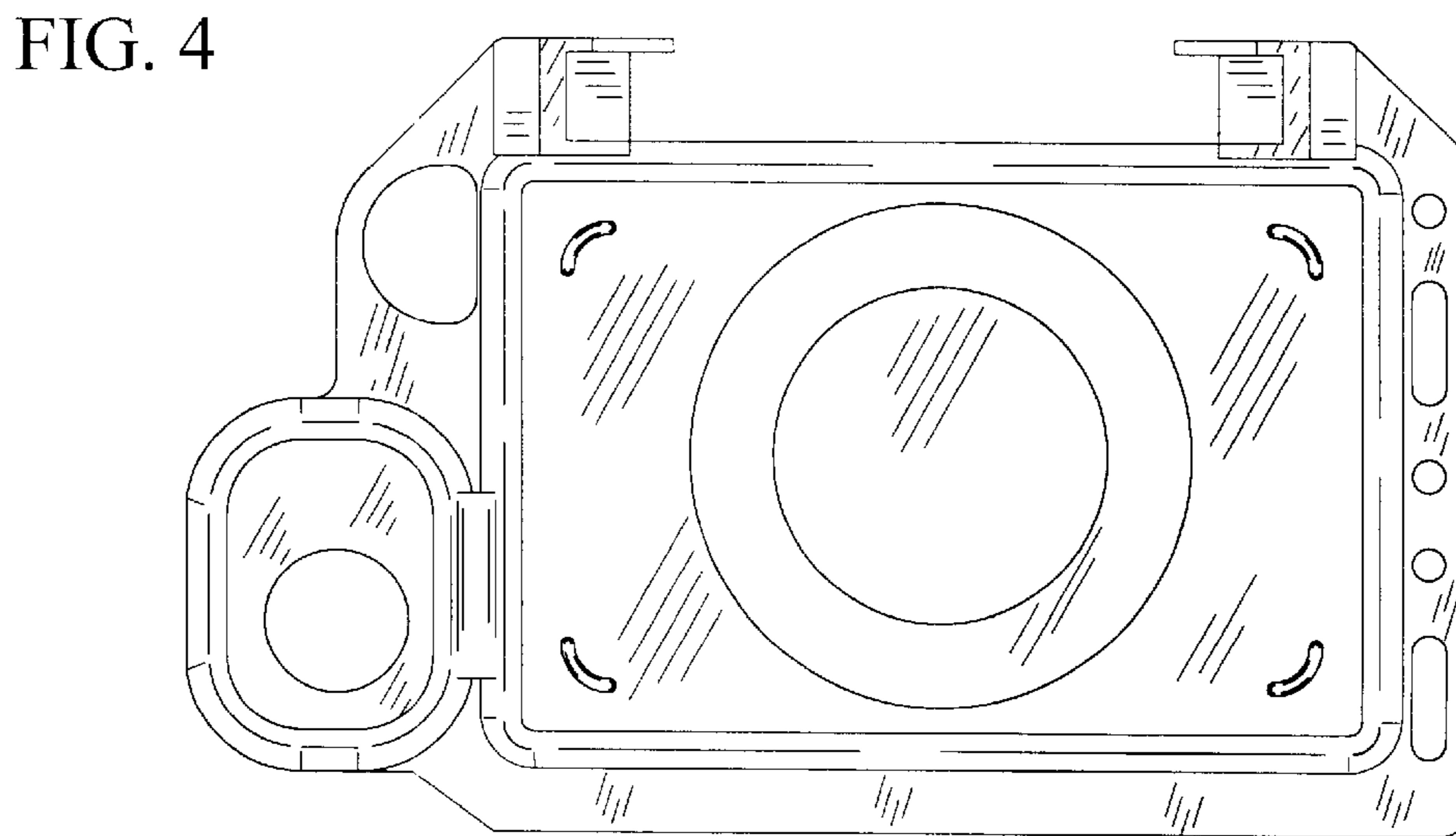
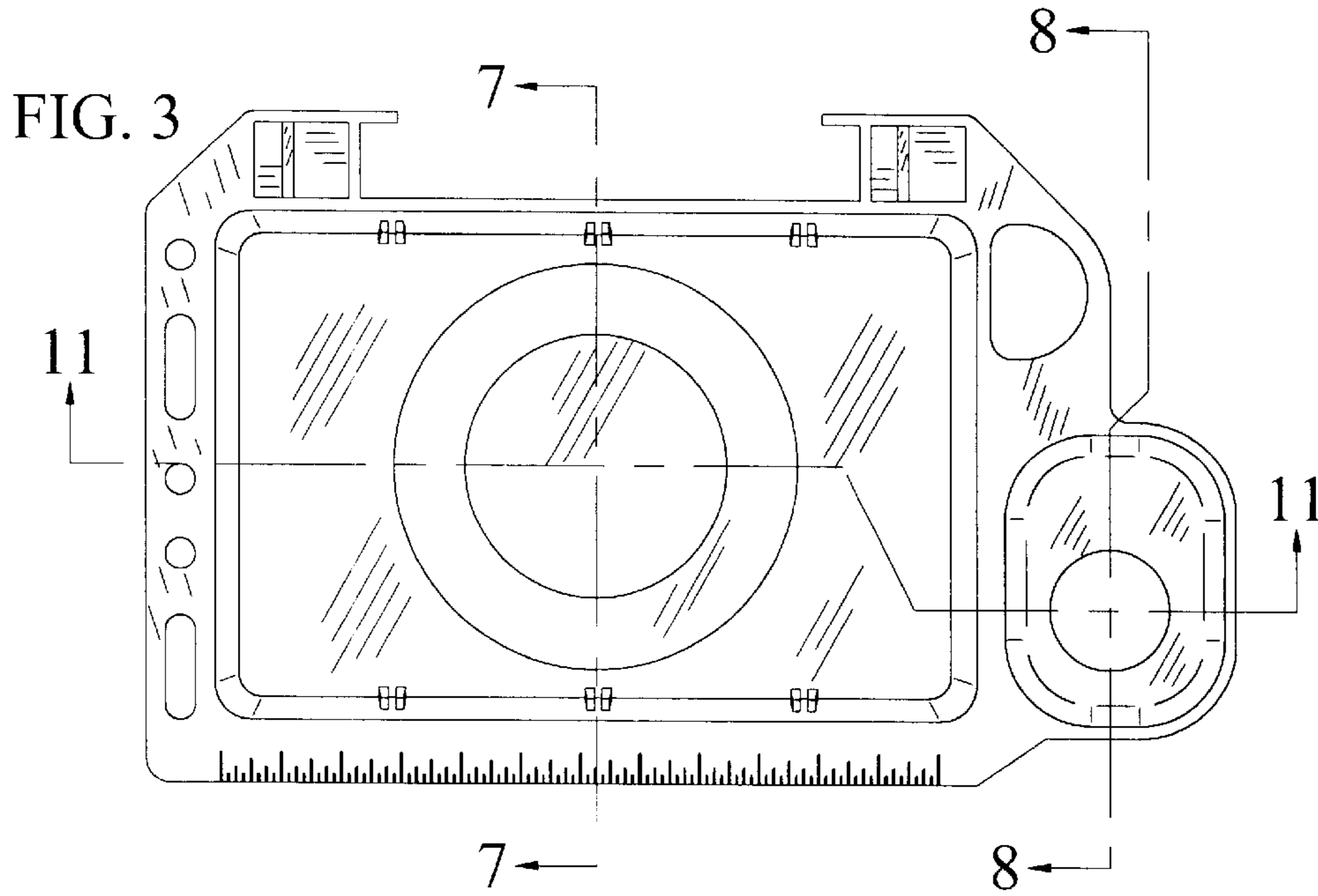


FIG. 5

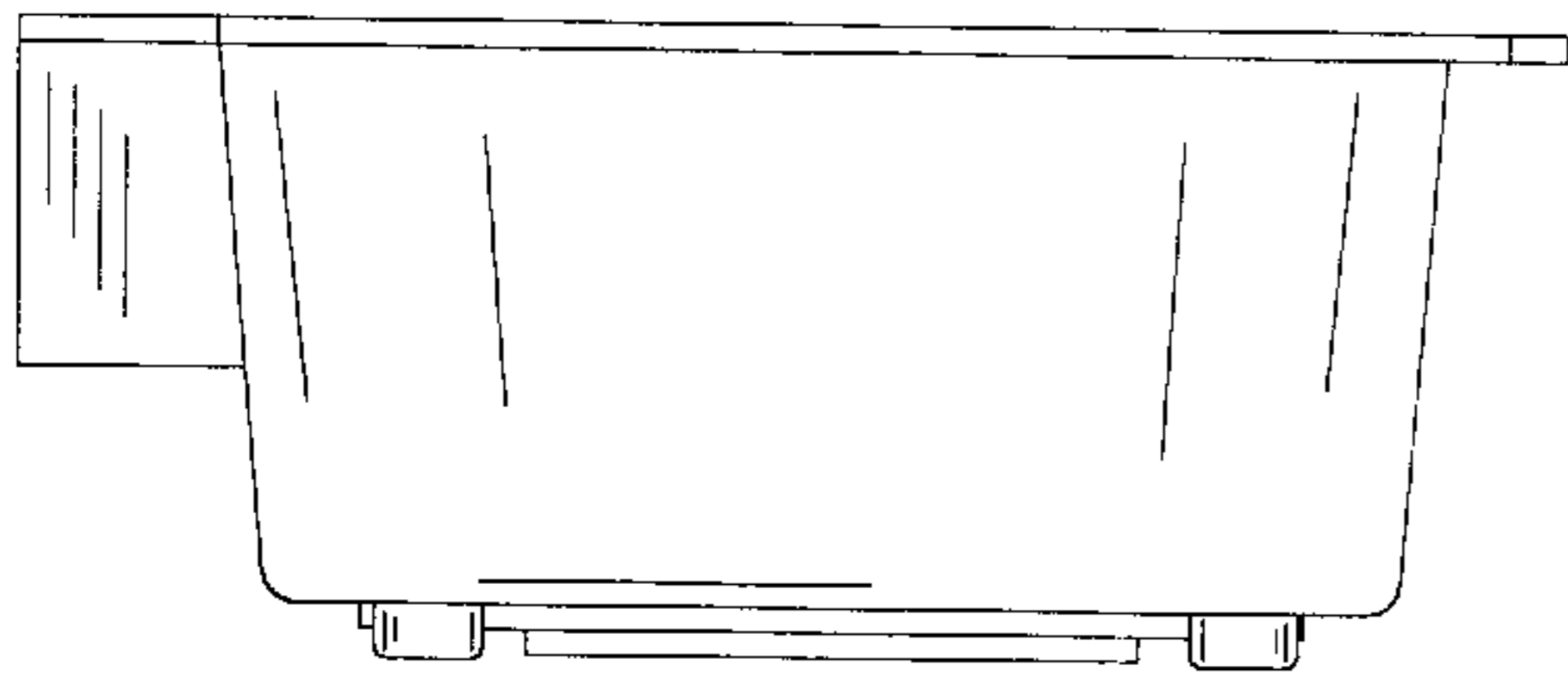


FIG. 6

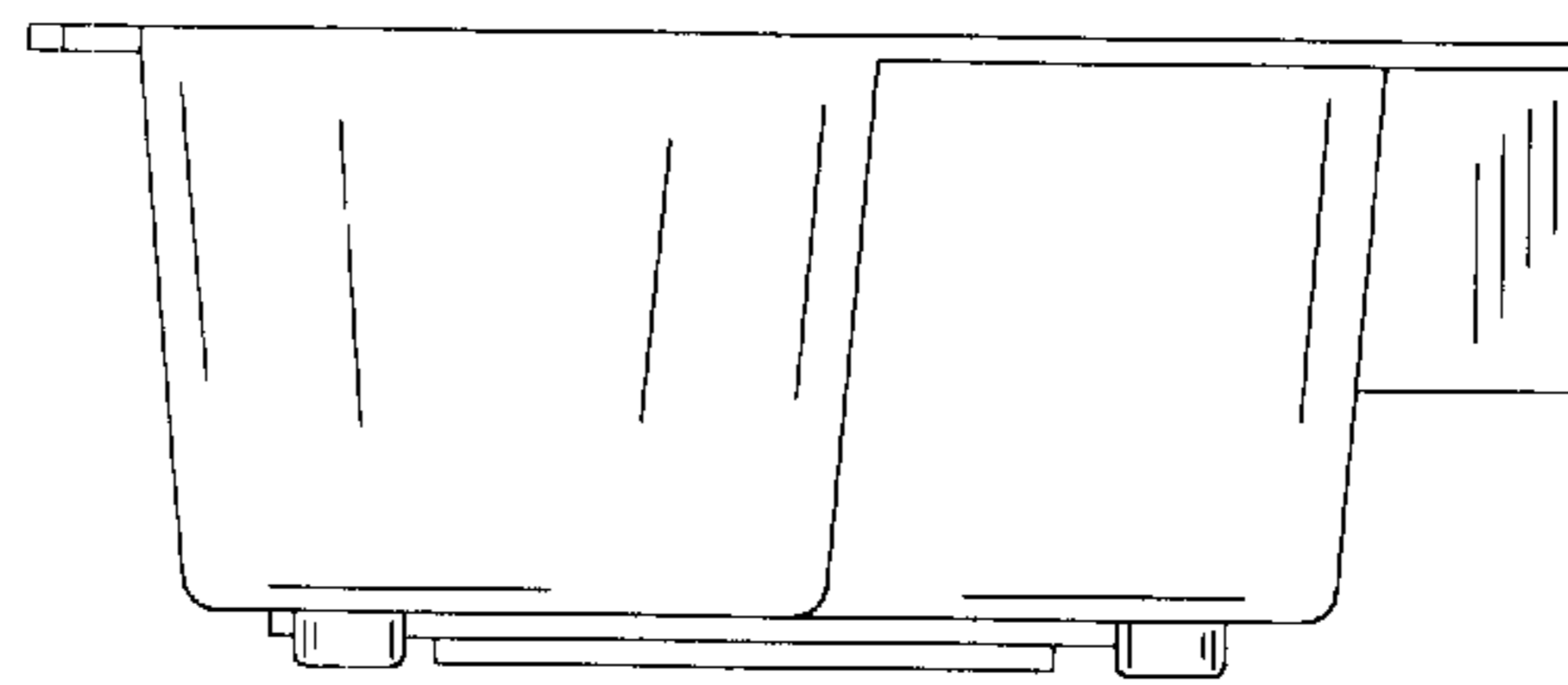


FIG. 7

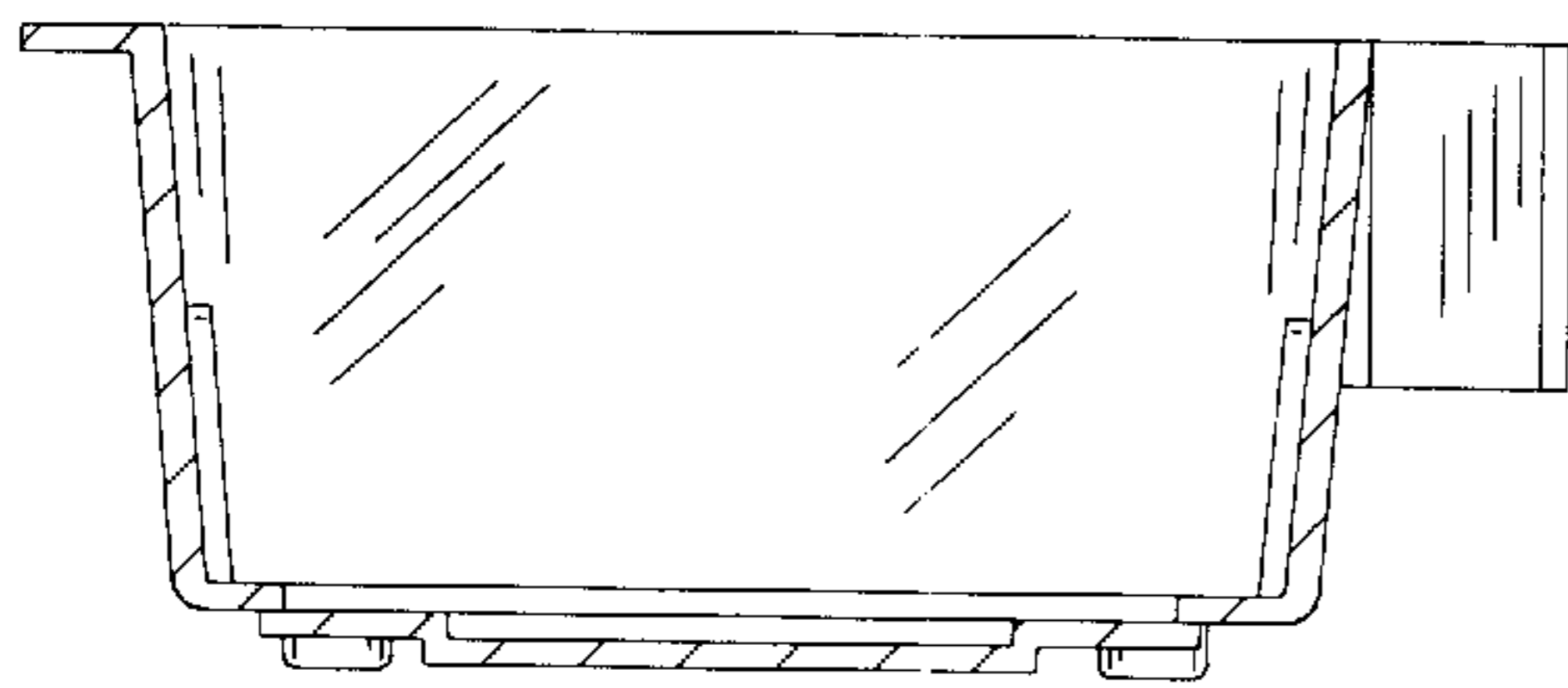


FIG. 8

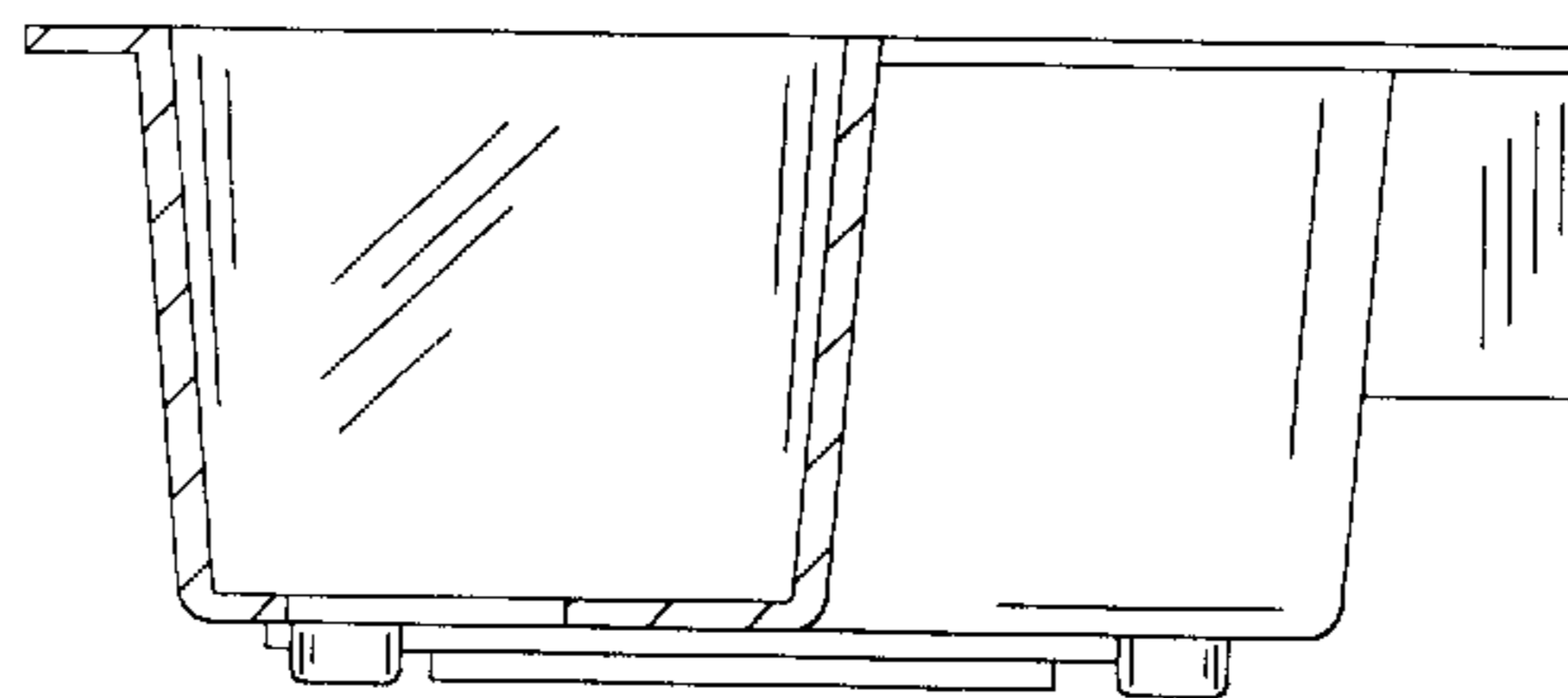


FIG. 9

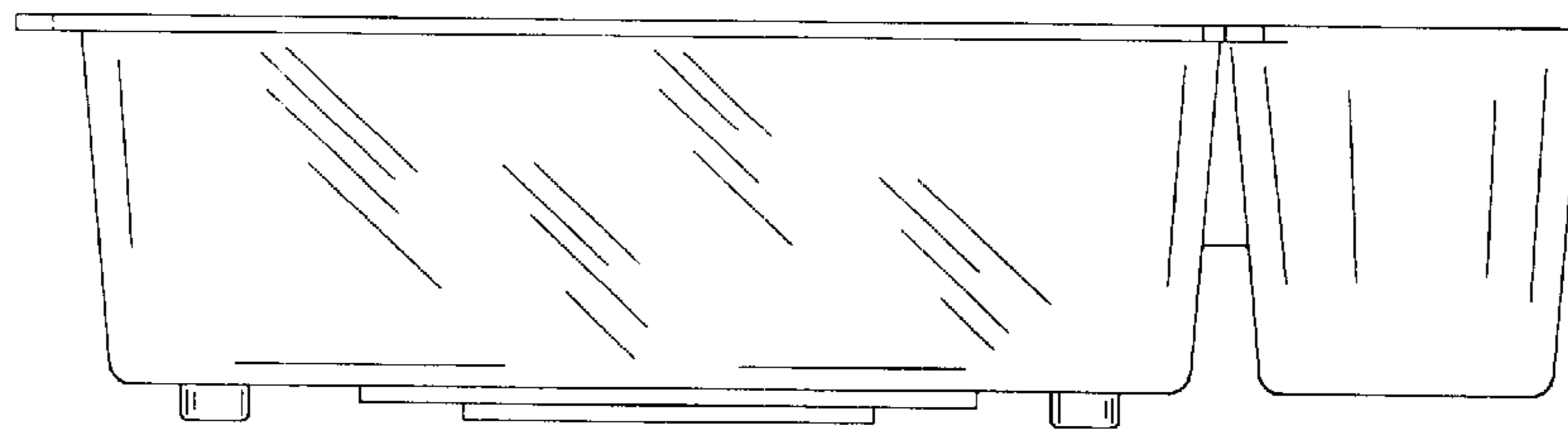


FIG. 10

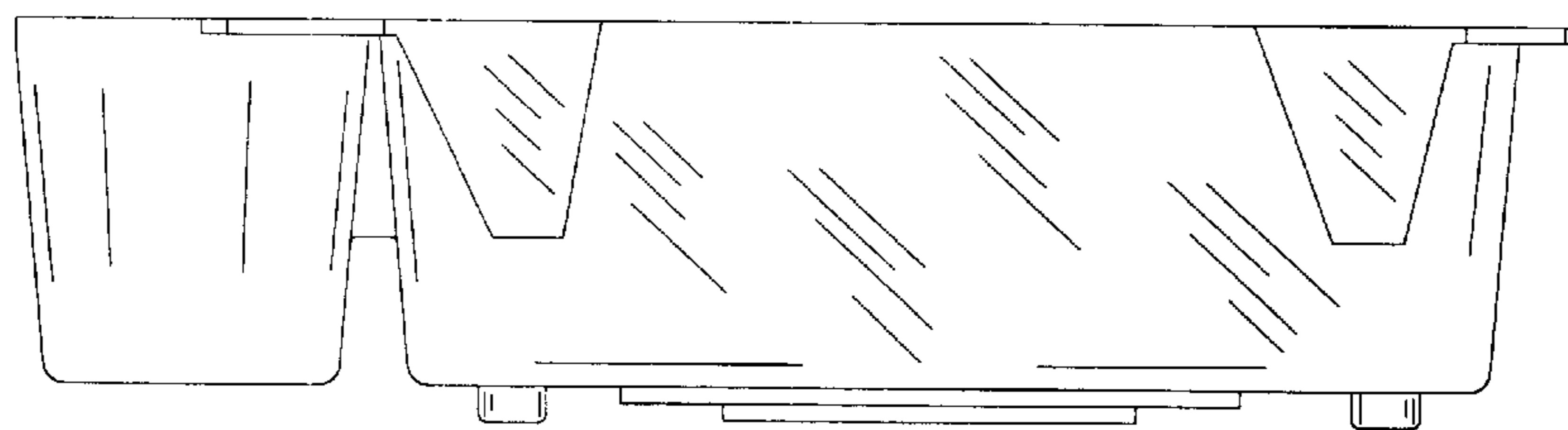


FIG. 11

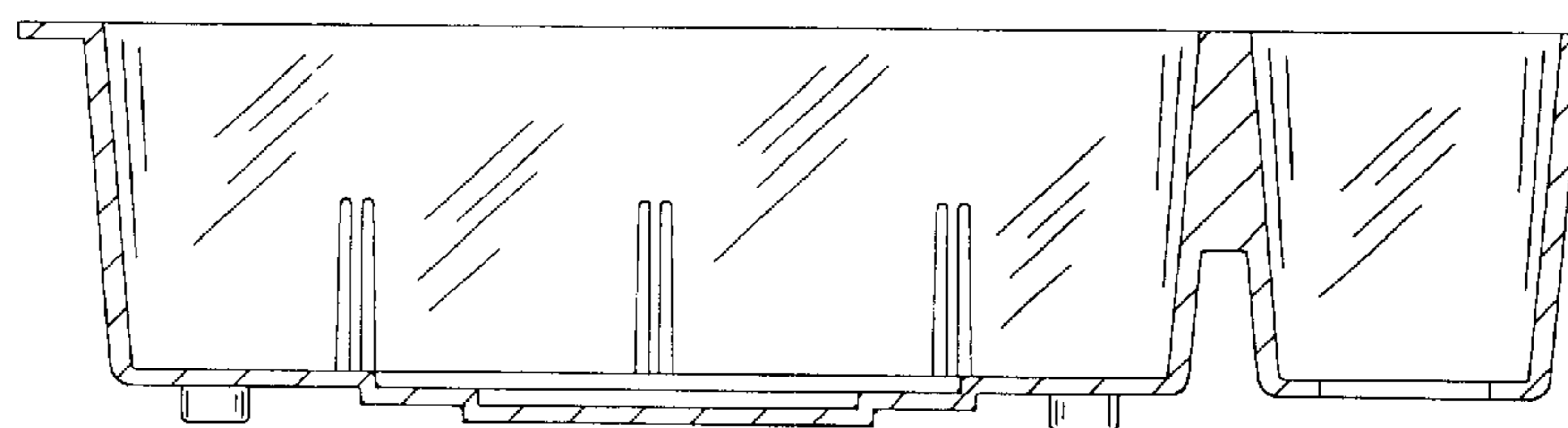


FIG. 12

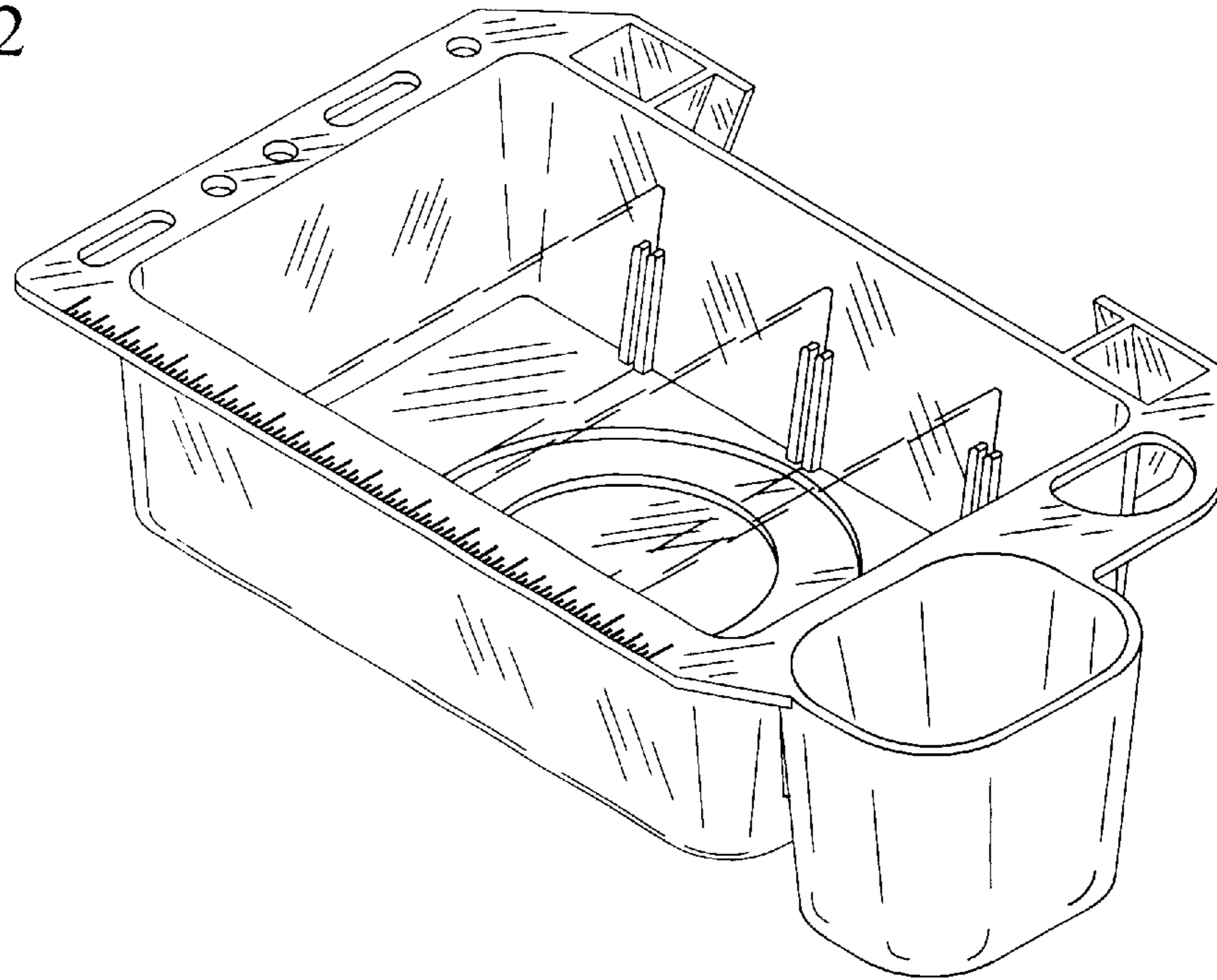


FIG. 13

