

US00D516223S

(12) **United States Design Patent** (10) **Patent No.:** **US D516,223 S**  
**Smith** (45) **Date of Patent:** **\*\* Feb. 28, 2006**

(54) **SPECIMEN CONTAINER**

(76) Inventor: **Jack V. Smith**, P.O. Box 562, Arden, NC (US) 28704

(\*\*) Term: **14 Years**

(21) Appl. No.: **29/203,040**

(22) Filed: **Apr. 8, 2004**

(51) **LOC (8) Cl.** ..... **24-01**

(52) **U.S. Cl.** ..... **D24/224**

(58) **Field of Classification Search** ..... D24/224, D24/216, 121; 422/100, 102, 58, 61; 600/573; 215/DIG. 3; 436/174, 180; 435/288.1, 288.2, 435/299.2, 304.1, 304.2; D9/556, 569, 529, D9/558, 503

See application file for complete search history.

(56) **References Cited**

**U.S. PATENT DOCUMENTS**

D105,393 S \* 7/1937 Mackelfresh, Jr. .... D9/569  
4,171,057 A \* 10/1979 Gach ..... D24/224  
D279,651 S \* 7/1985 Freeman ..... D9/503  
5,403,551 A \* 4/1995 Galloway et al. .... 422/58  
D359,690 S \* 6/1995 Heinz ..... D9/556  
D364,003 S \* 11/1995 Benson ..... D24/224  
D436,166 S 1/2001 Berkey  
D444,887 S \* 7/2001 Conway ..... D24/224  
6,277,646 B1 \* 8/2001 Guirguis et al. .... 422/58  
D453,838 S \* 2/2002 Harrop ..... D24/224  
D457,645 S \* 5/2002 Eden ..... D24/224  
D468,436 S \* 1/2003 Brassil et al. .... D24/216  
6,555,062 B1 \* 4/2003 Lewis et al. .... 422/102  
6,616,893 B1 \* 9/2003 Pham ..... 422/58  
6,627,152 B1 \* 9/2003 Wong ..... 422/58

6,669,908 B2 \* 12/2003 Weyker et al. .... 422/58  
D485,885 S 1/2004 Bonelli et al.  
D491,275 S \* 6/2004 Walters et al. .... D24/224  
2003/0021736 A1 \* 1/2003 Kang et al. .... 422/102  
2004/0018634 A1 \* 1/2004 Hajizadeh et al. .... 422/102  
2004/0184965 A1 \* 9/2004 Smith ..... 422/102

**OTHER PUBLICATIONS**

Evergreen Disposable Labware "Specimen Containers" p. 46@1996.\*

Cole-Palmer Labware "Container" @1999 p. 77.\*

\* cited by examiner

*Primary Examiner*—Ian Simmons

(74) *Attorney, Agent, or Firm*—Smith & Hopen, P.A.; Anton J. Hopen; Thomas E. Toner

(57) **CLAIM**

The ornamental design for a specimen container, as substantially shown and described.

**DESCRIPTION**

FIG. 1 is a right side elevational view of the specimen container;

FIG. 2 is a left side elevational view thereof;

FIG. 3 is a front view of the specimen container;

FIG. 4 is a rear view of the specimen container;

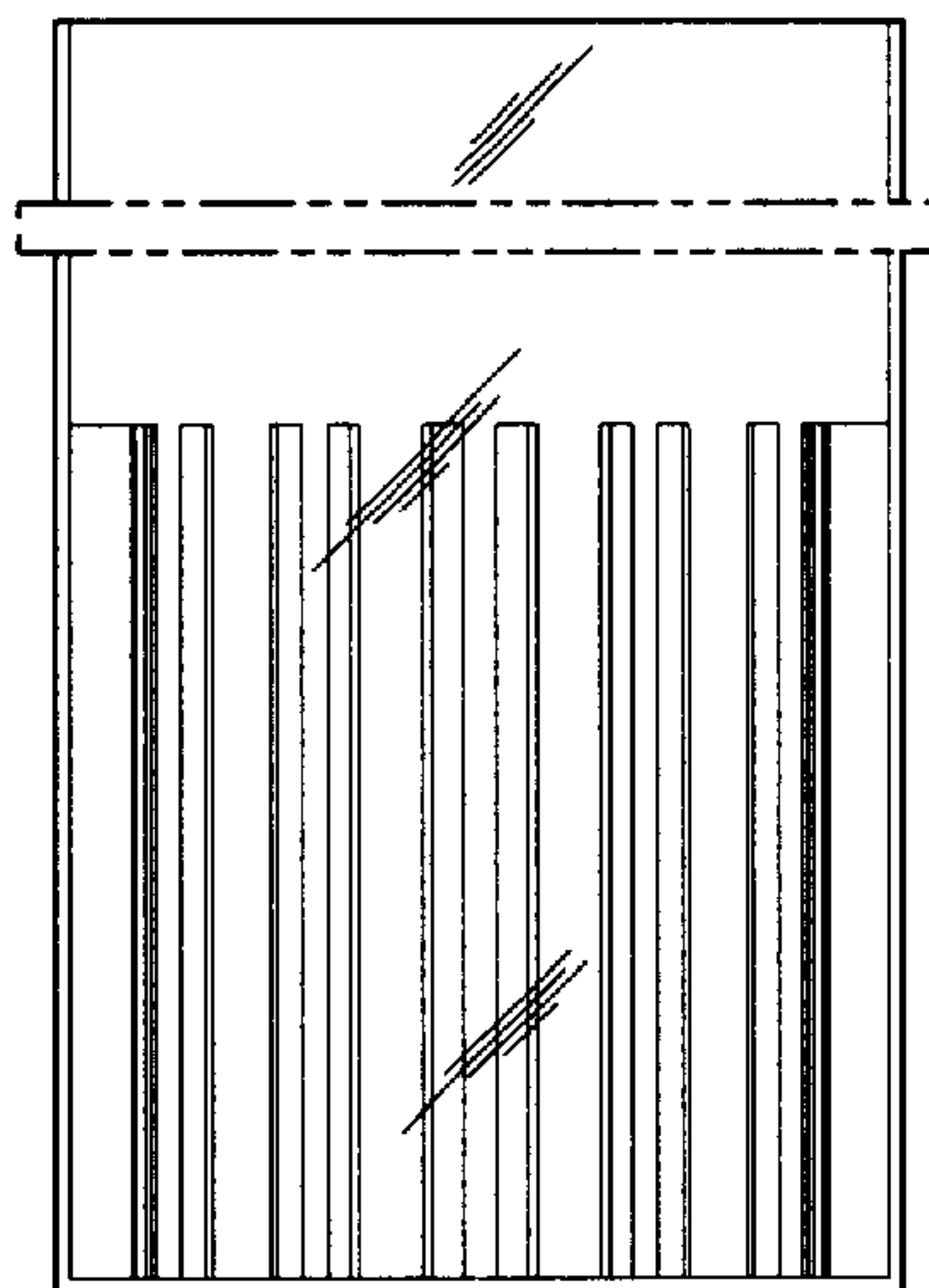
FIG. 5 is a bottom plan view thereof;

FIG. 6 is a top plan view thereof; and,

FIG. 7 is a perspective view of the specimen container.

The broken line showing in FIGS. 1 through 6 are for illustrative purposes only and forms no part of the claimed design.

**1 Claim, 3 Drawing Sheets**



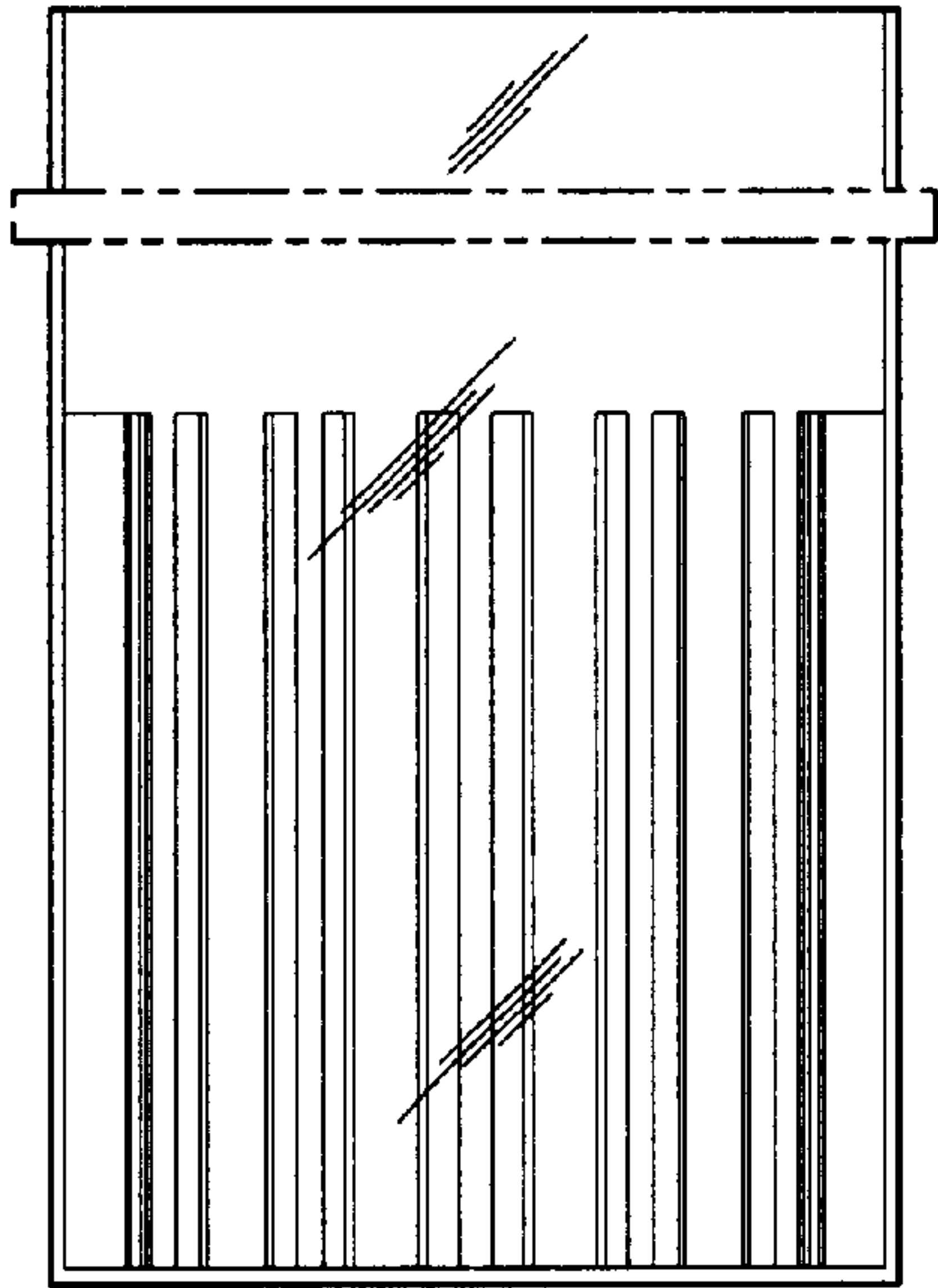


FIG. 1

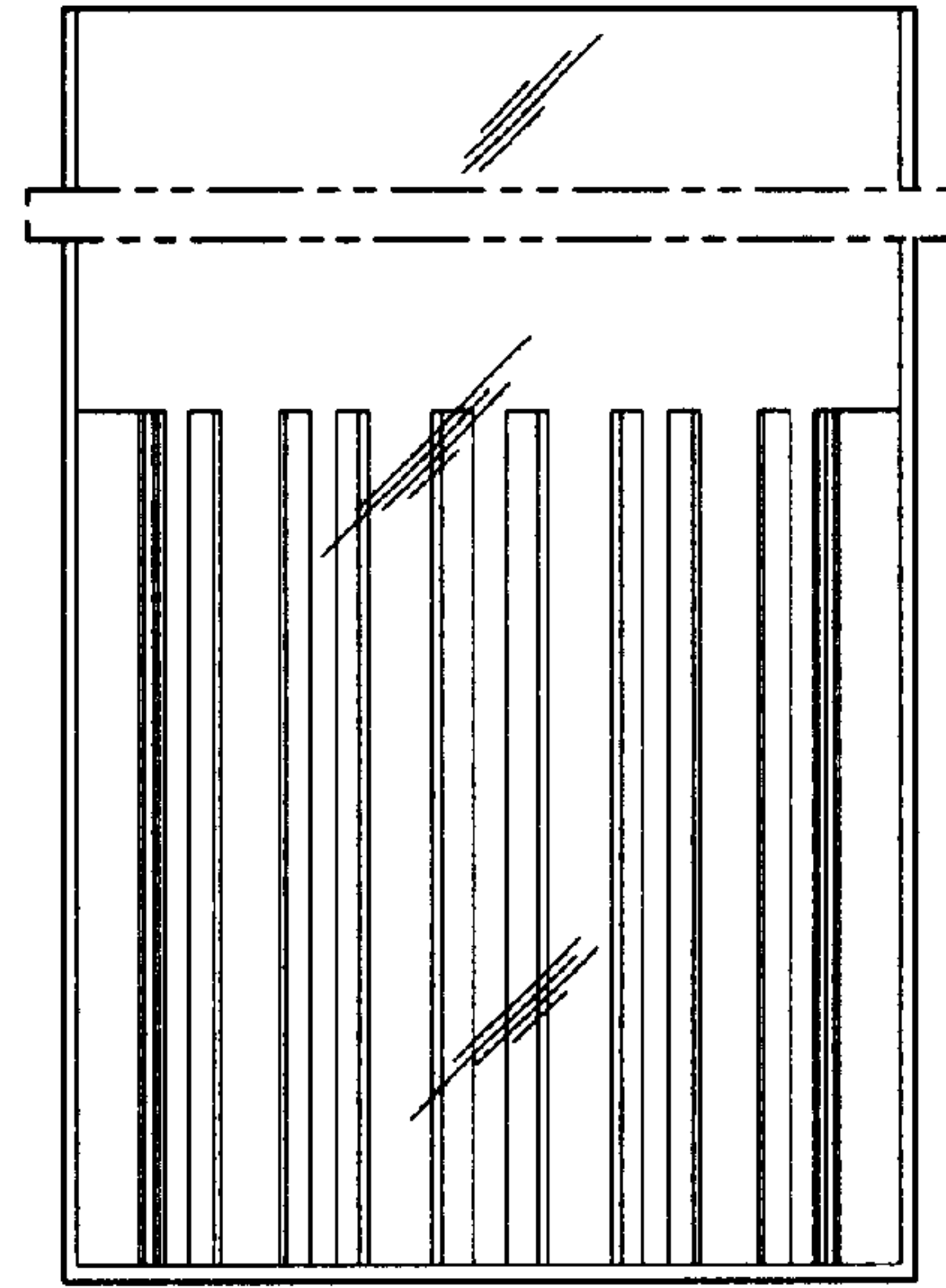


FIG. 2

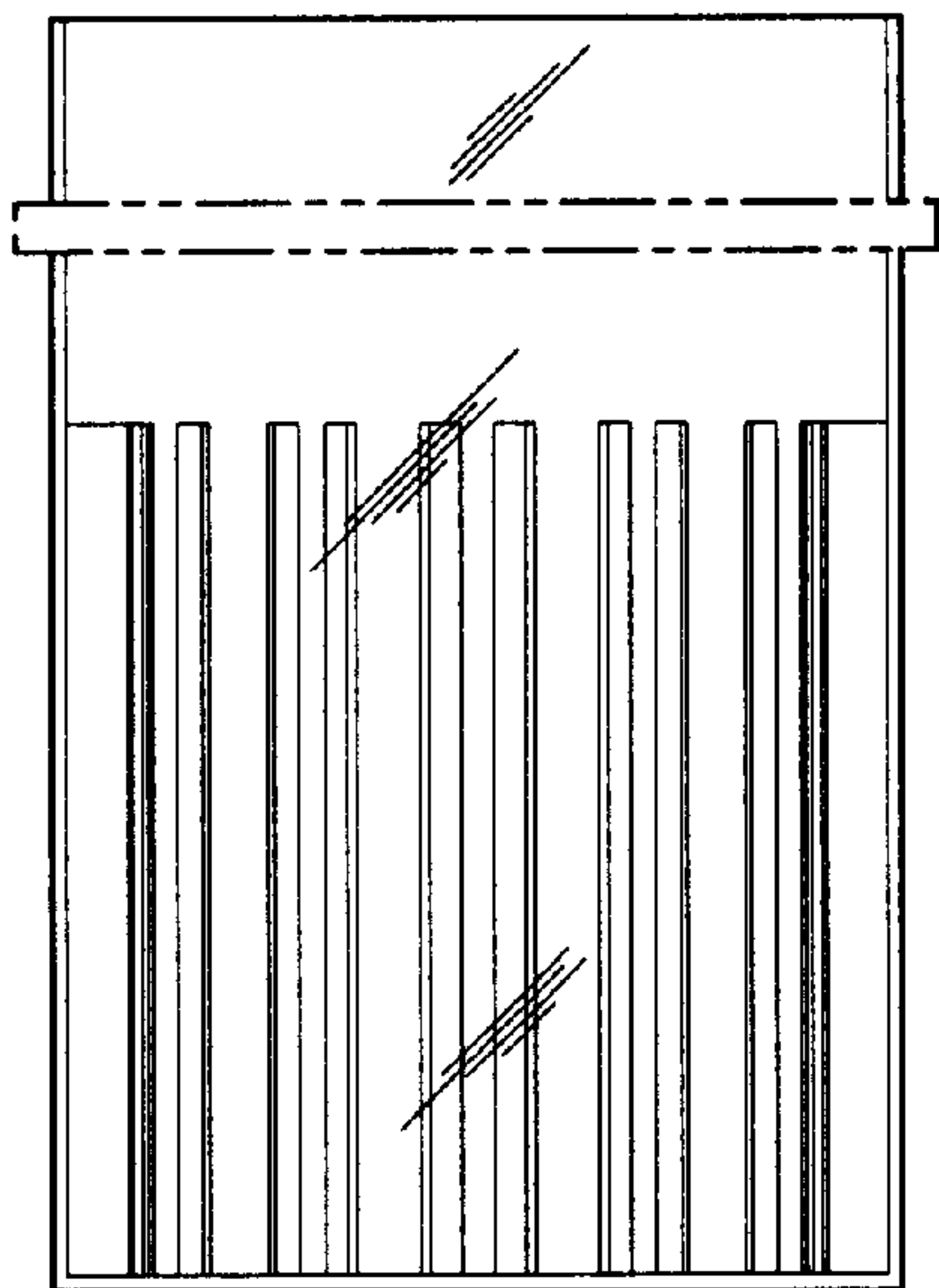


FIG. 3

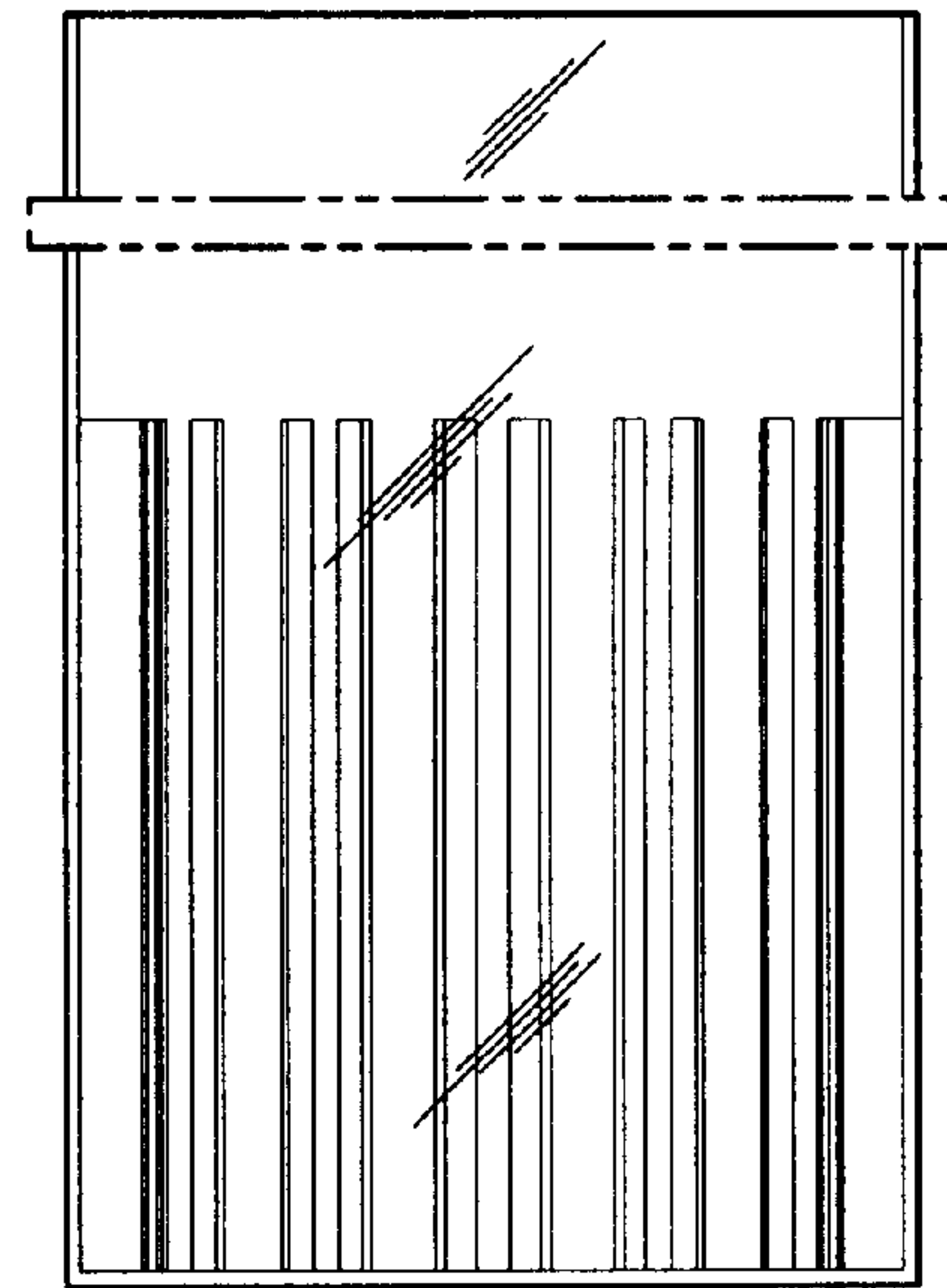


FIG. 4

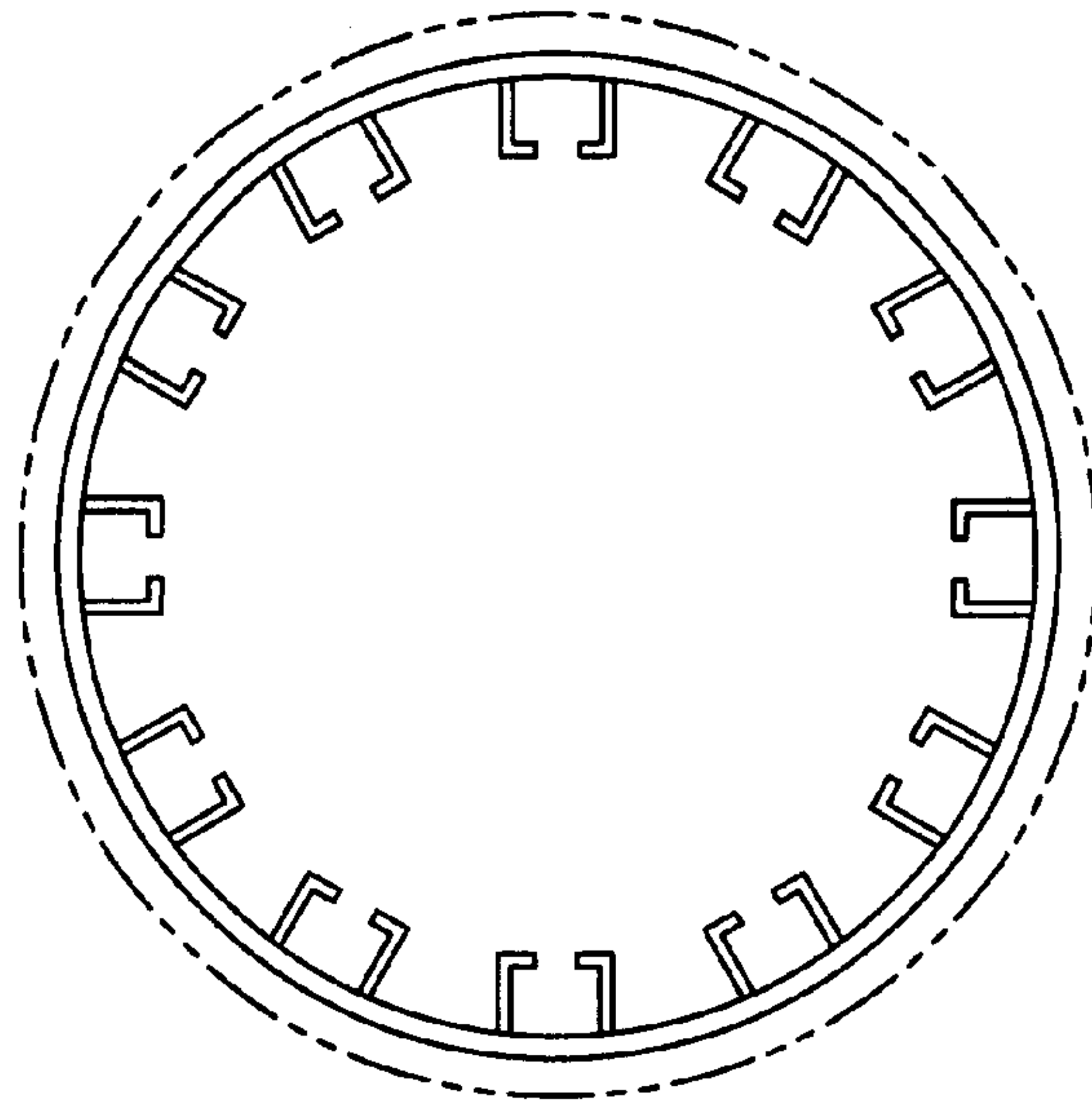


FIG. 5

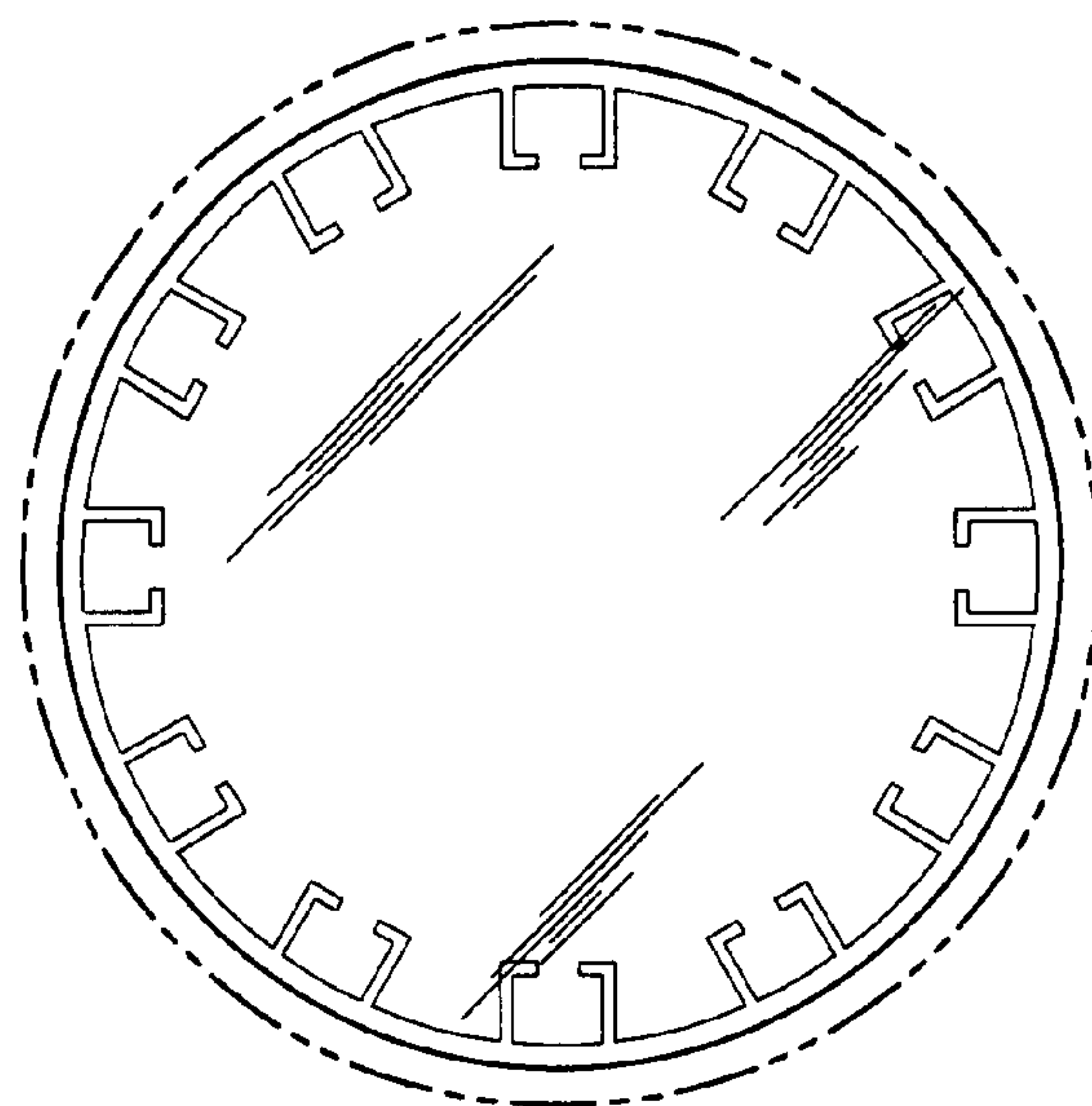


FIG. 6

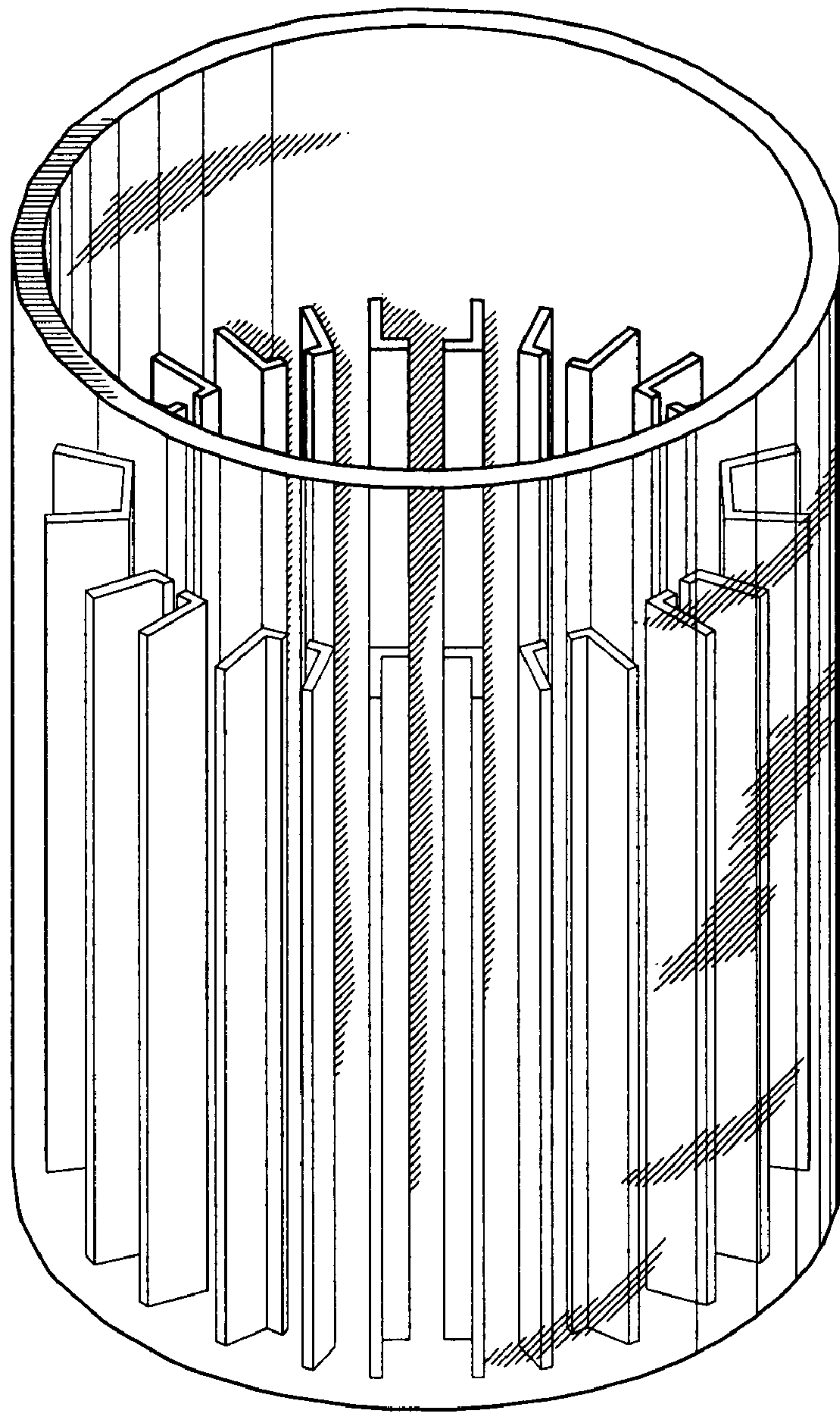


FIG. 7