



US00D516221S

(12) **United States Design Patent** (10) **Patent No.:** **US D516,221 S**  
**Wohlstadter et al.** (45) **Date of Patent:** **\*\* Feb. 28, 2006**

(54) **DIAGNOSTIC INSTRUMENT**

(75) Inventors: **Jacob N. Wohlstadter**, Potomac, MD (US); **Eli N. Glezer**, Chevy Chase, MD (US); **Charles Clinton**, Clarksburg, MD (US); **Brian A. Self**, Germantown, MD (US); **John Mattson**, Mount Airy, MD (US); **Lance Hussey**, Simi Valley, CA (US); **Nasahn Sheppard**, Woodland Hills, CA (US); **Hiroto Teranishi**, Palo Alto, CA (US); **Ravi Sawhney**, Calabasas, CA (US)

(73) Assignee: **Meso Scale Technologies, LLC.**, Gaithersburg, MD (US)

(\*\*) Term: **14 Years**

(21) Appl. No.: **29/167,119**

(22) Filed: **Sep. 9, 2002**

(51) **LOC (8) Cl.** ..... **24-01**

(52) **U.S. Cl.** ..... **D24/216; D24/232**

(58) **Field of Classification Search** ..... **D24/232, D24/231, 186, 107, 216; 422/51, 57, 70, 422/82.09, 82.7, 50, 101, 104, 63, 82.08, 422/49**

See application file for complete search history.

(56) **References Cited**

**U.S. PATENT DOCUMENTS**

D305,684 S	*	1/1990	Kanewske et al.	.....	D24/186
D347,478 S	*	5/1994	Pinkney	.....	D24/216
5,620,894 A	*	4/1997	Barger et al.	.....	422/101
D380,273 S	*	6/1997	Emerson et al.	.....	D24/232
D404,140 S	*	1/1999	Meguro	.....	D24/232
6,333,007 B1	*	12/2001	Svensson et al.	.....	422/57
D457,646 S	*	5/2002	Hool et al.	.....	D24/232
D479,879 S	*	9/2003	Dickinson	.....	D24/232

\* cited by examiner

*Primary Examiner*—Ian Simmons

(74) *Attorney, Agent, or Firm*—Barry Evans, Esq.; Kramer Levin Naftalis & Frankel LLP

(57) **CLAIM**

The ornamental design for a diagnostic instrument, as shown and described.

**DESCRIPTION**

FIG. 1 is a front perspective view showing a first embodiment of the new design;

FIG. 2 is a top plan view of the first embodiment of the new design;

FIG. 3 is a front elevation view of the first embodiment of the new design;

FIG. 4 is a side elevation view of the first embodiment of the new design, the side opposite that shown in FIG. 4 being the mirror image thereof; and,

FIG. 5 is a rear elevation view of the first embodiment of the new design.

FIG. 6 is a front perspective view showing a second embodiment of the new design;

FIG. 7 is a top plan view of the second embodiment of the new design;

FIG. 8 is a front elevation view of the second embodiment of the new design;

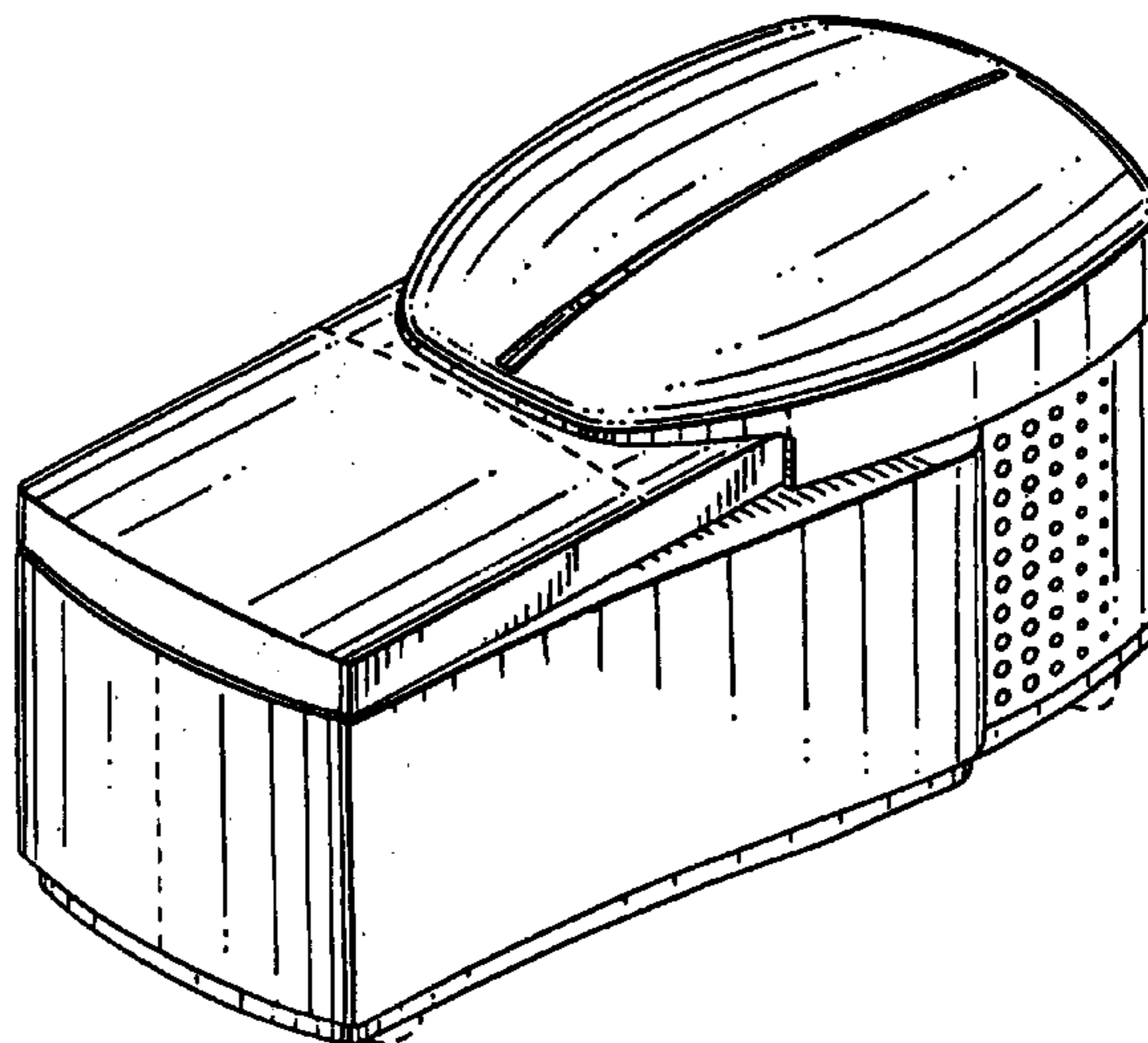
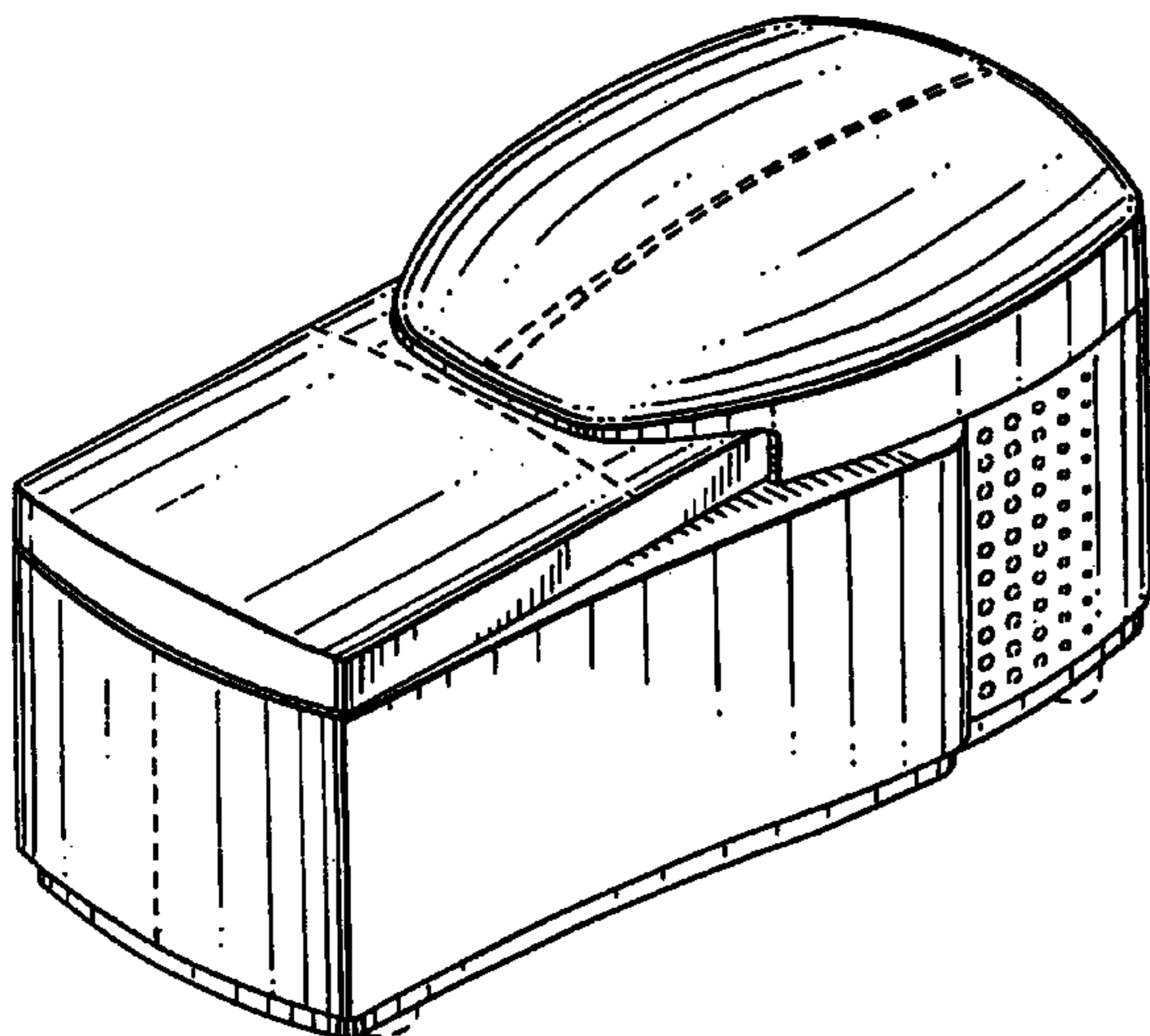
FIG. 9 is a side elevation view of the second embodiment of the new design, the side opposite that shown in FIG. 9 being the mirror image thereof; and,

FIG. 10 is a rear elevation view of the second embodiment of the new design.

No bottom plan view is provided since the bottom is unadorned.

The broken line showing is for illustrative purposes only and forms no part of the claimed design.

**1 Claim, 10 Drawing Sheets**



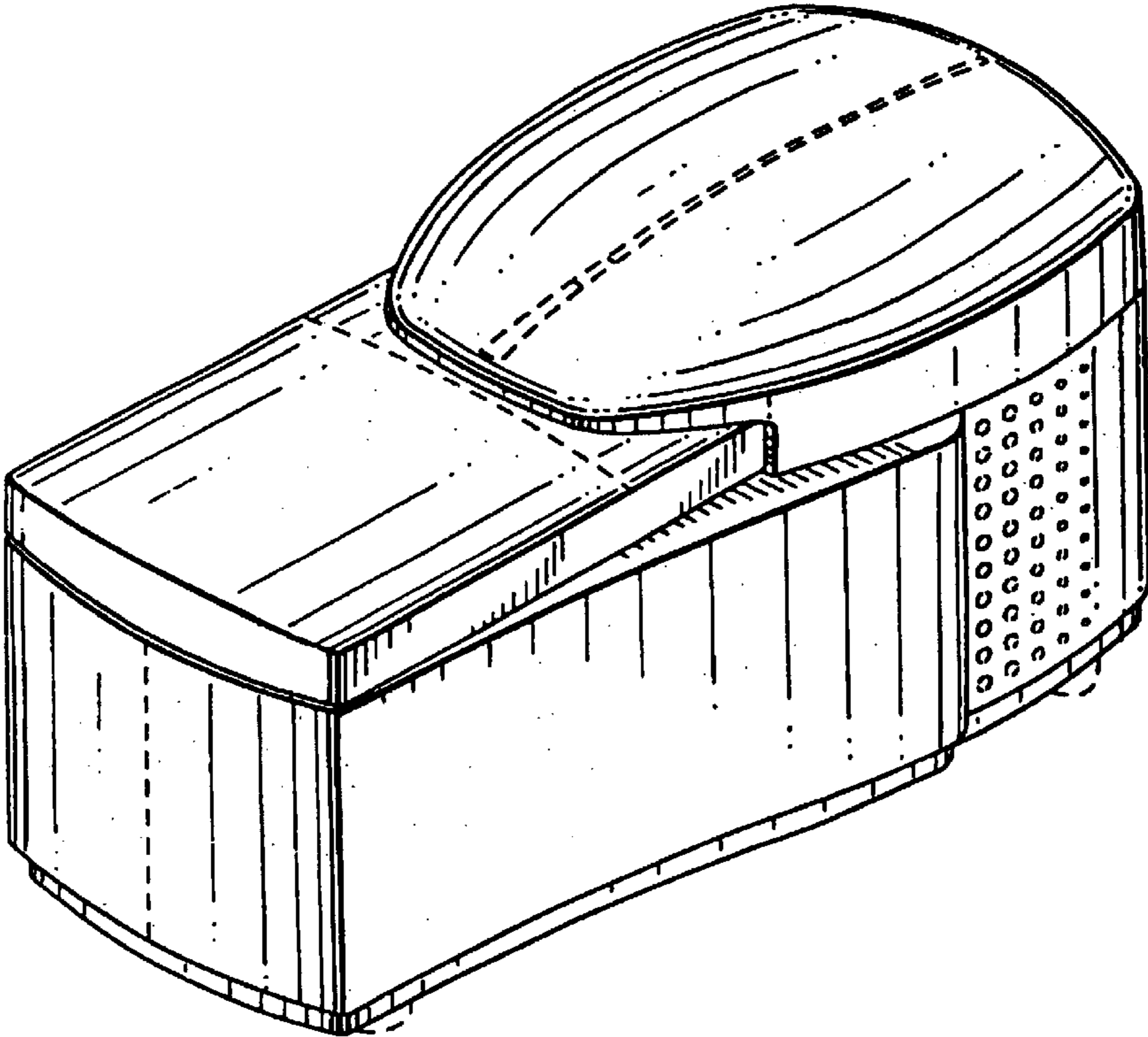


FIG. 1

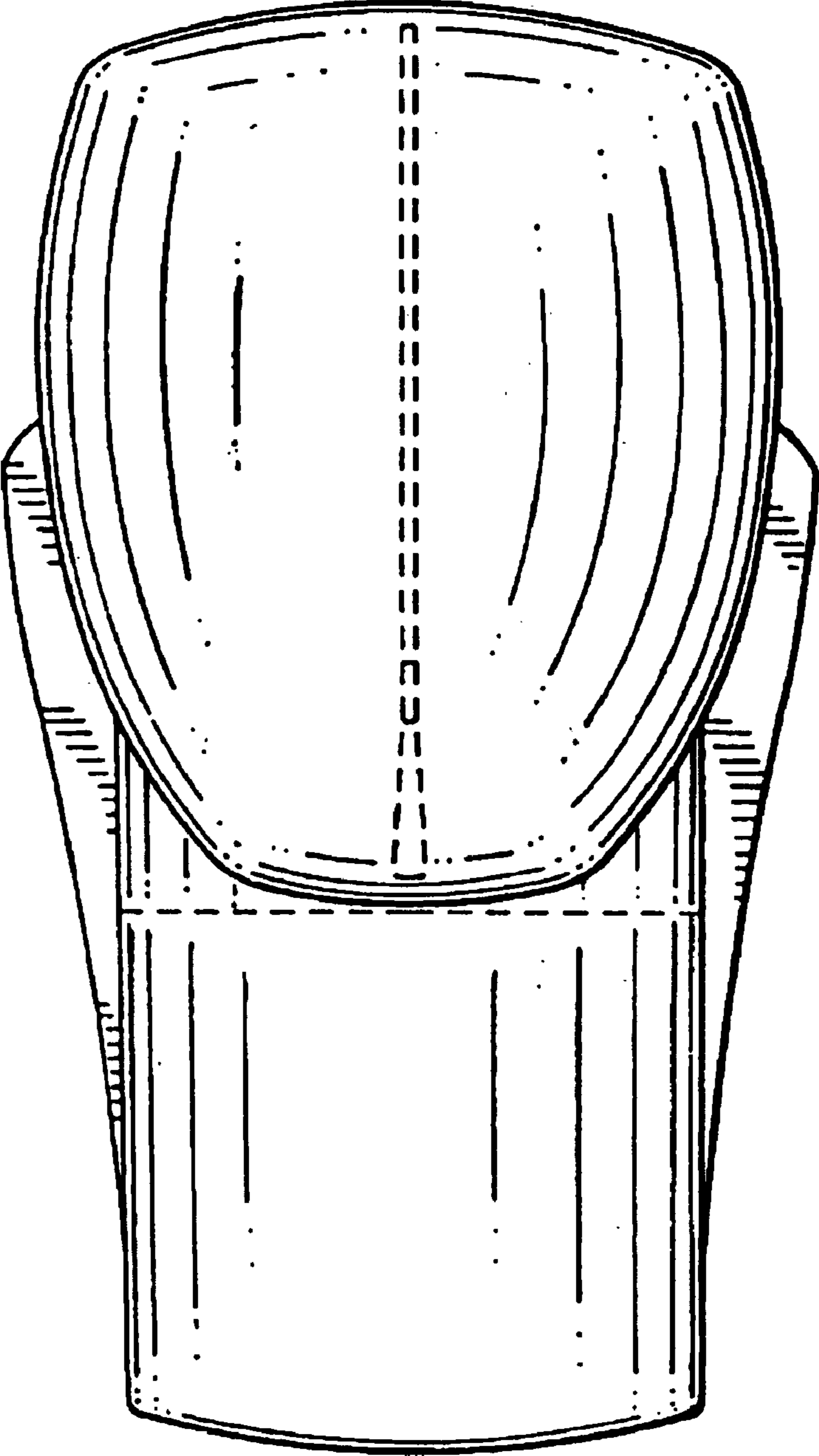
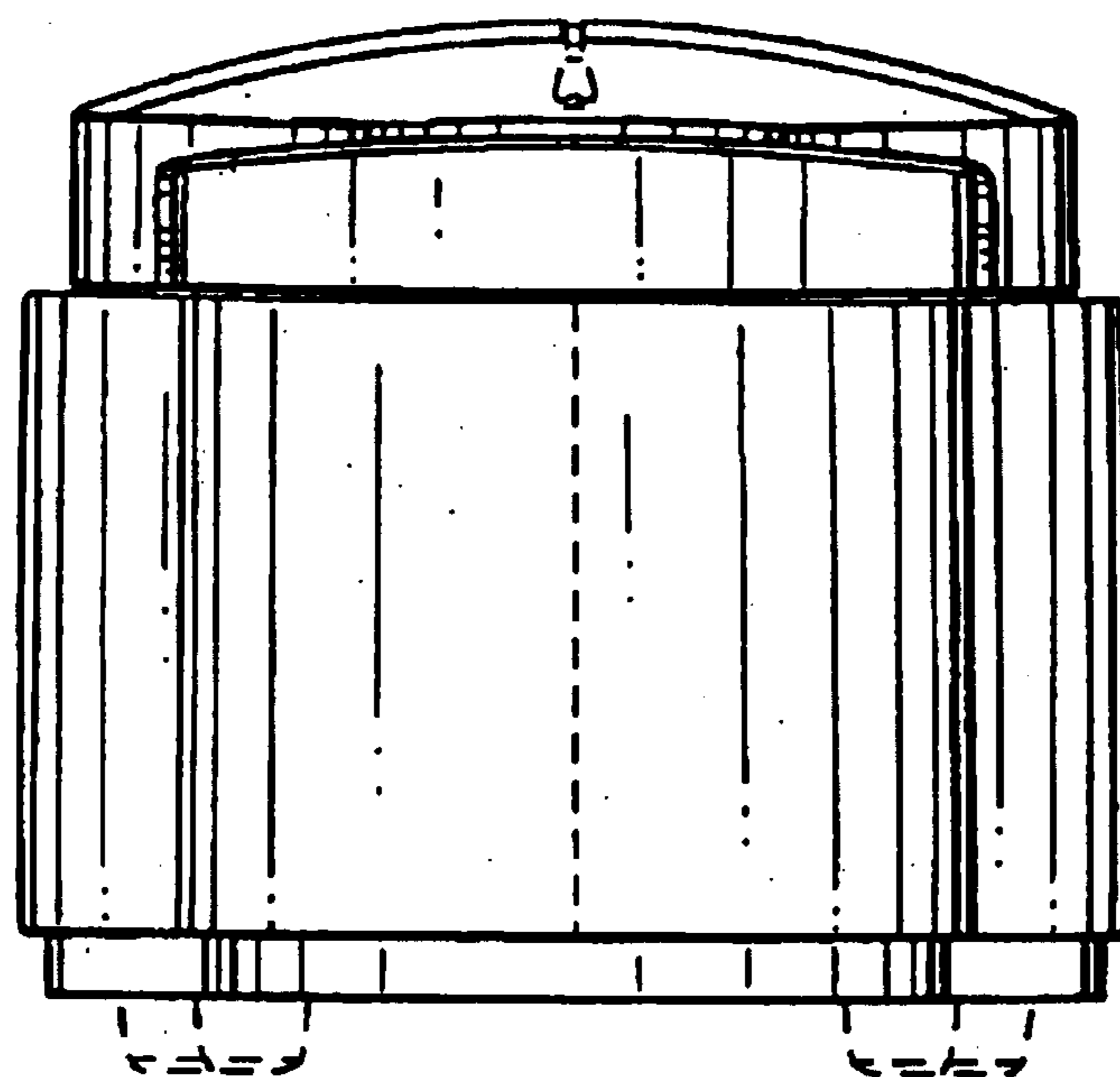


FIG. 2



**FIG. 3**

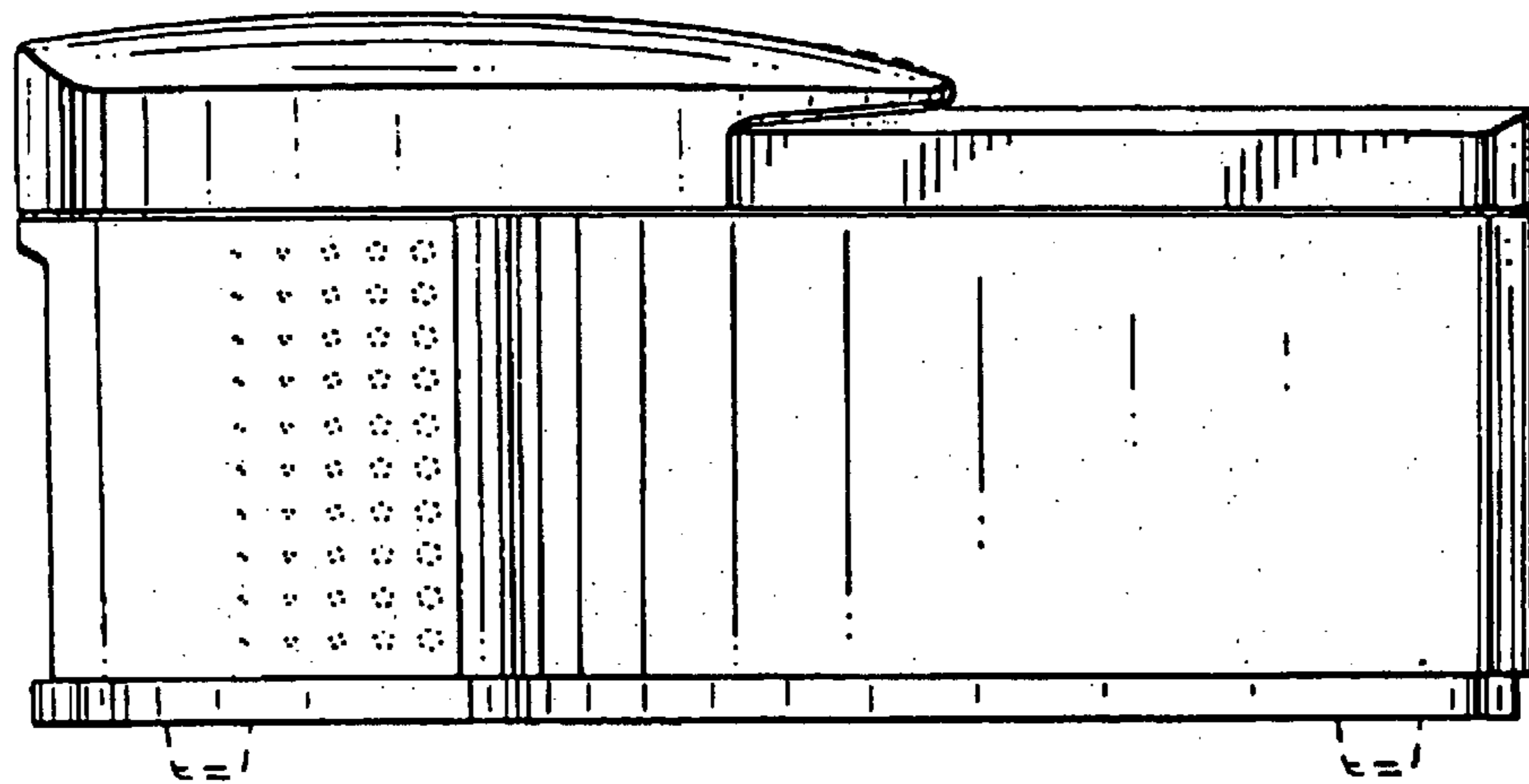
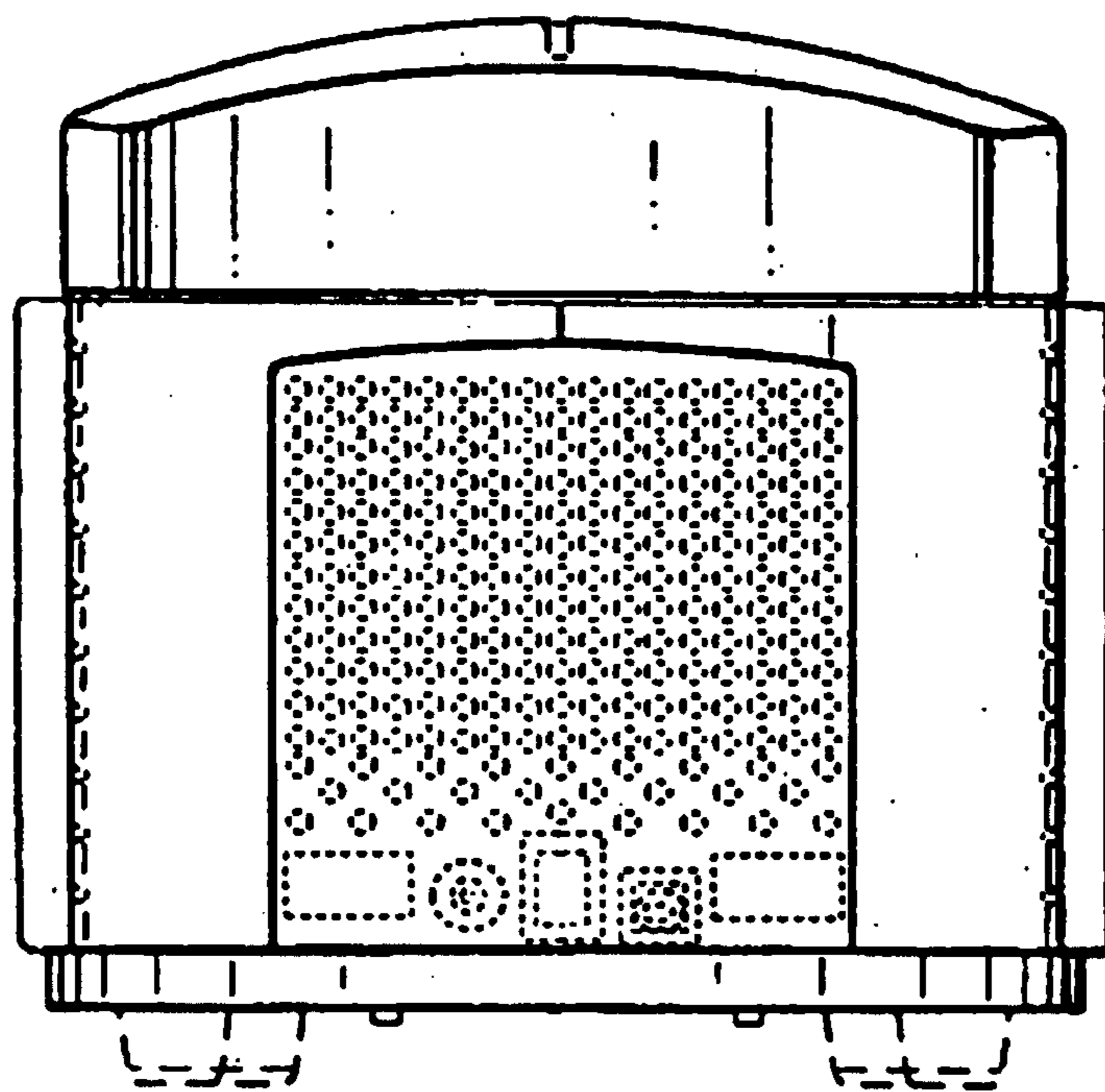


FIG. 4



*FIG. 5*

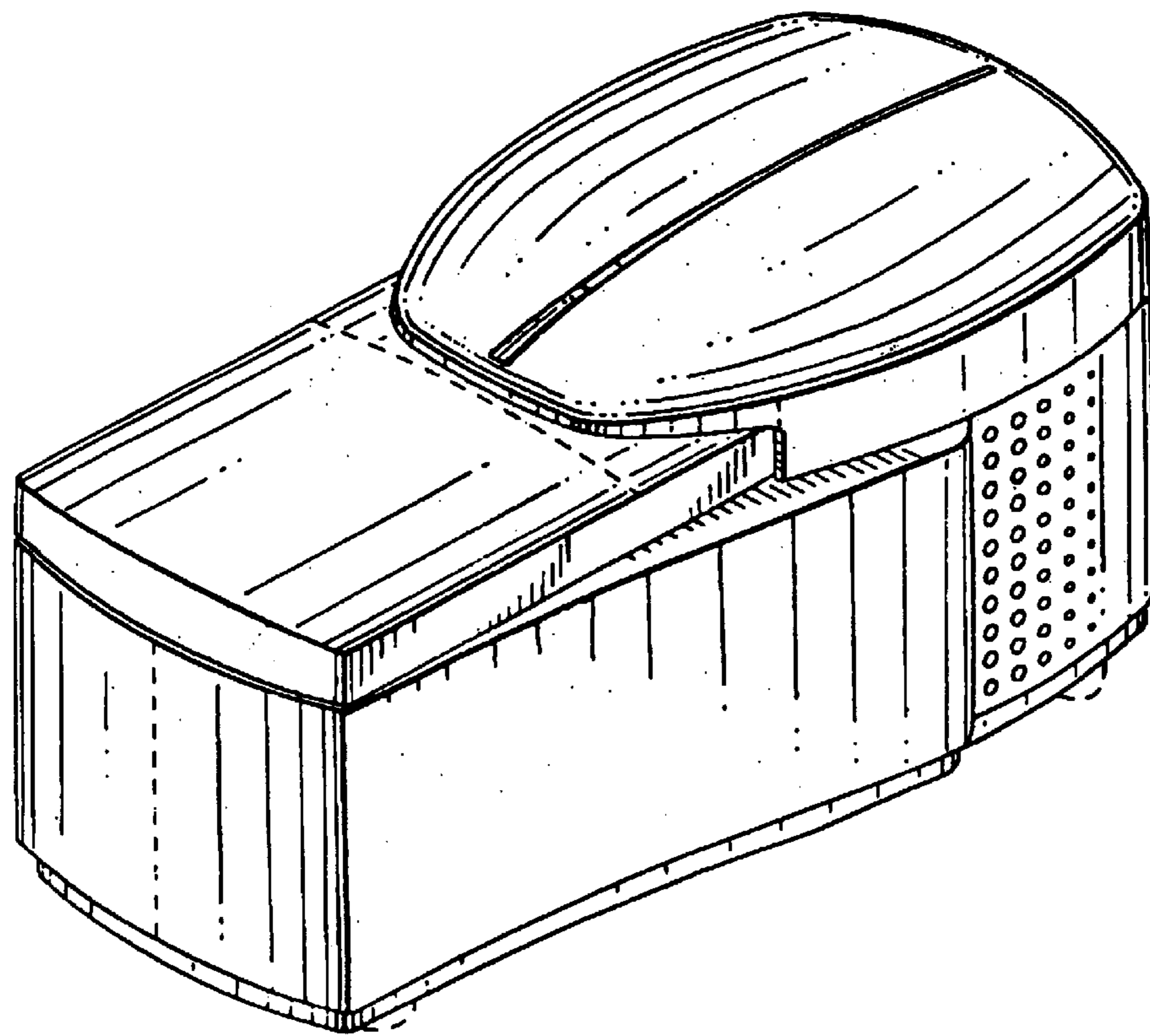


FIG. 6

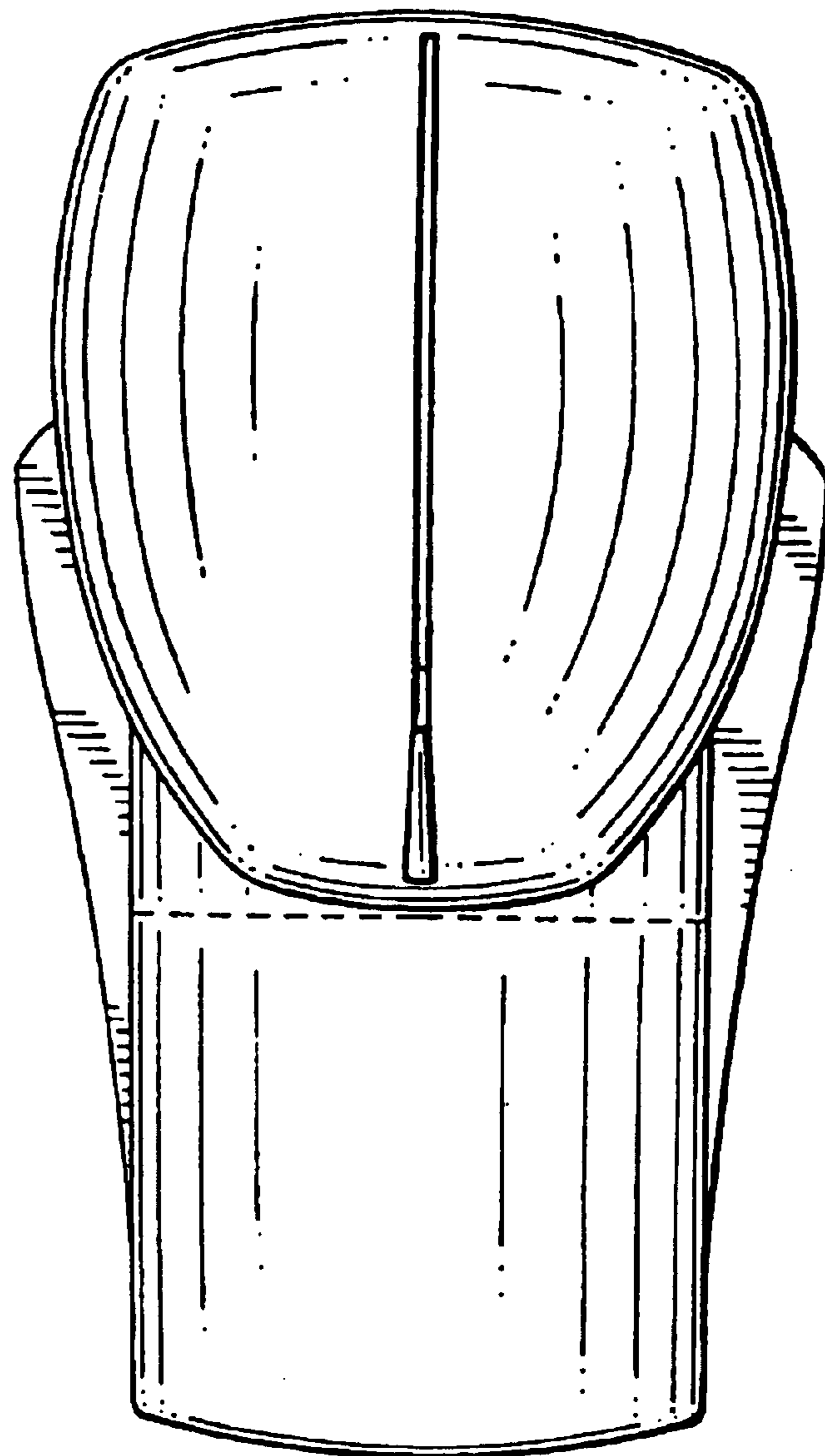
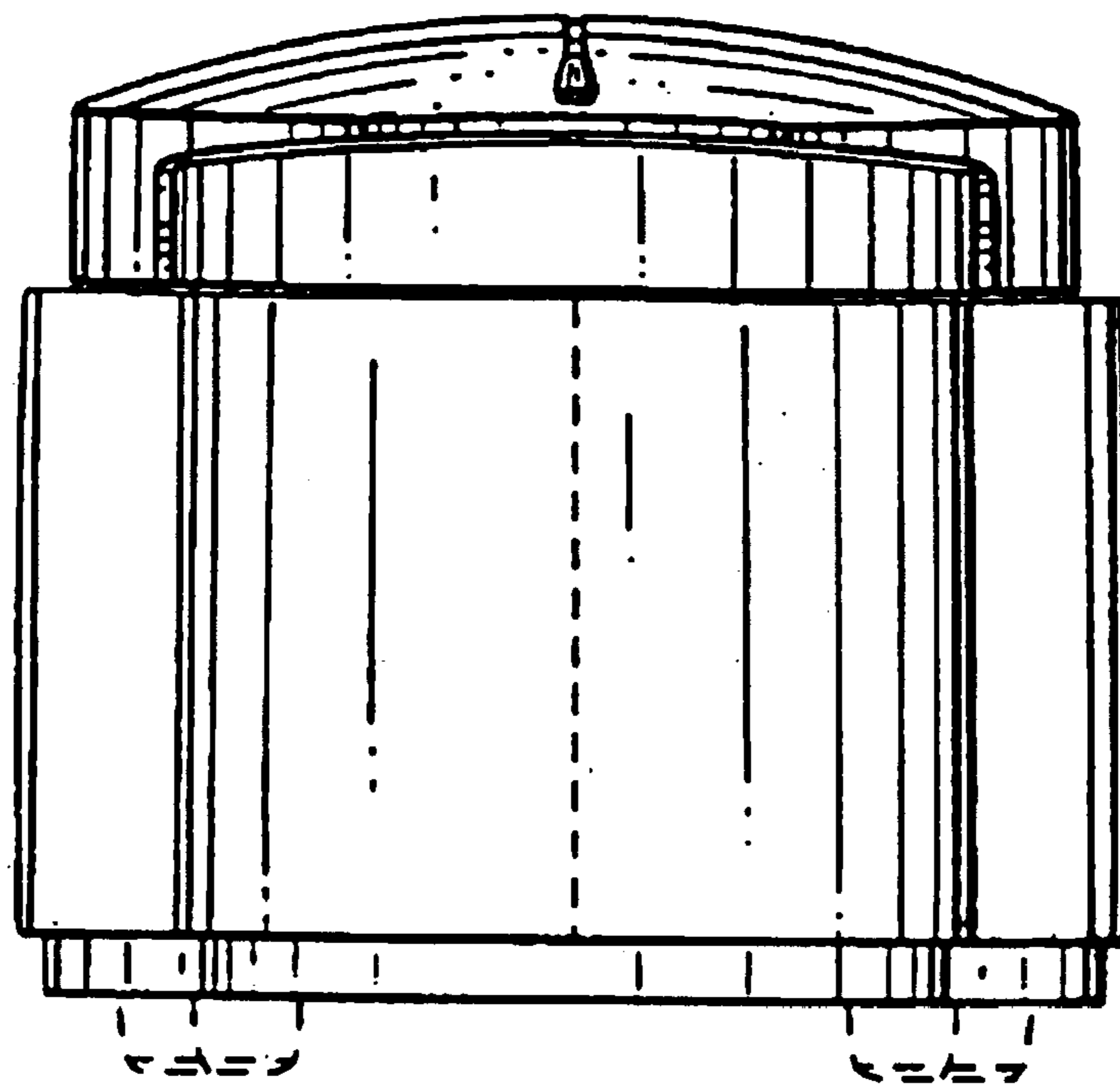


FIG. 7





*FIG. 8*

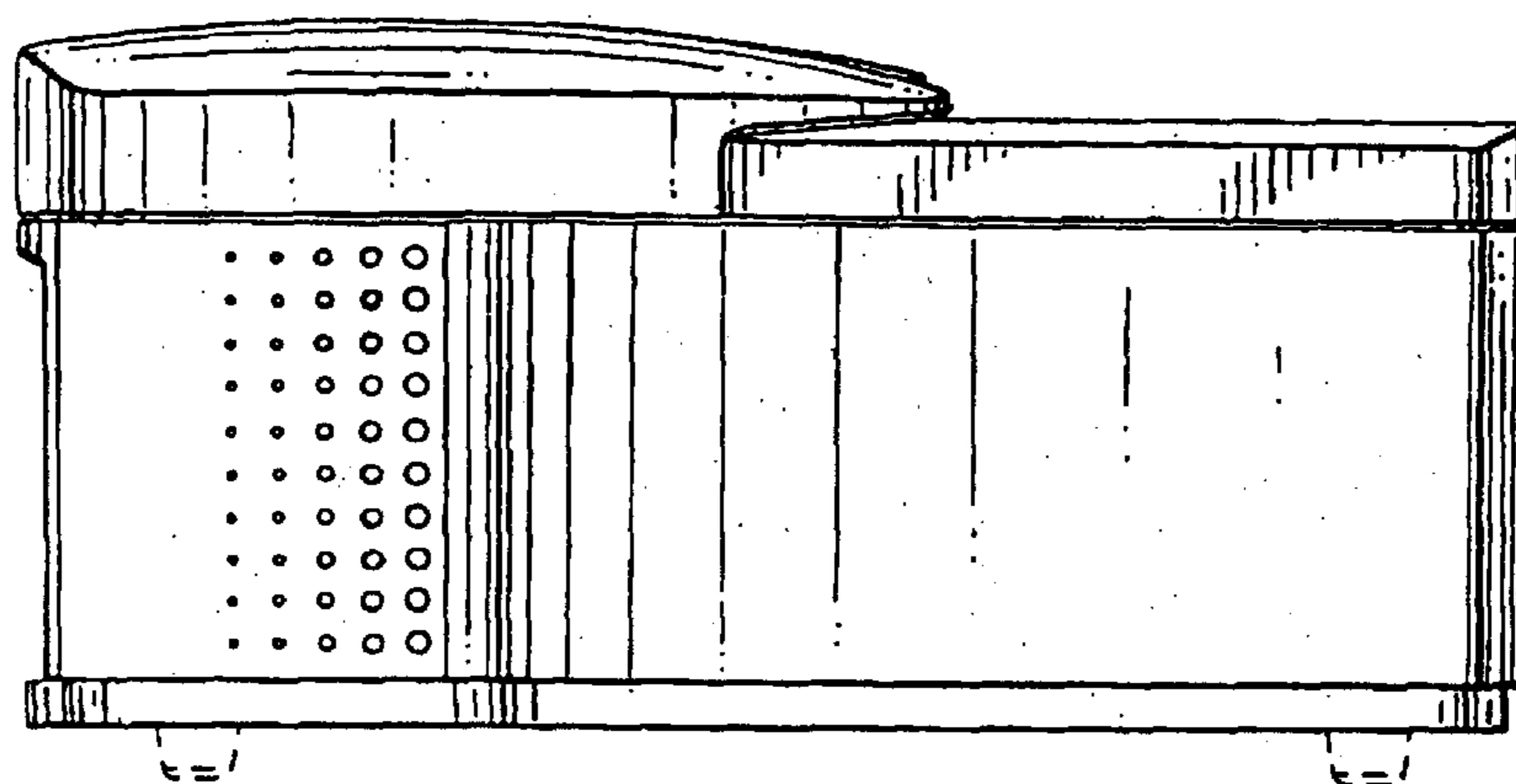


FIG. 9

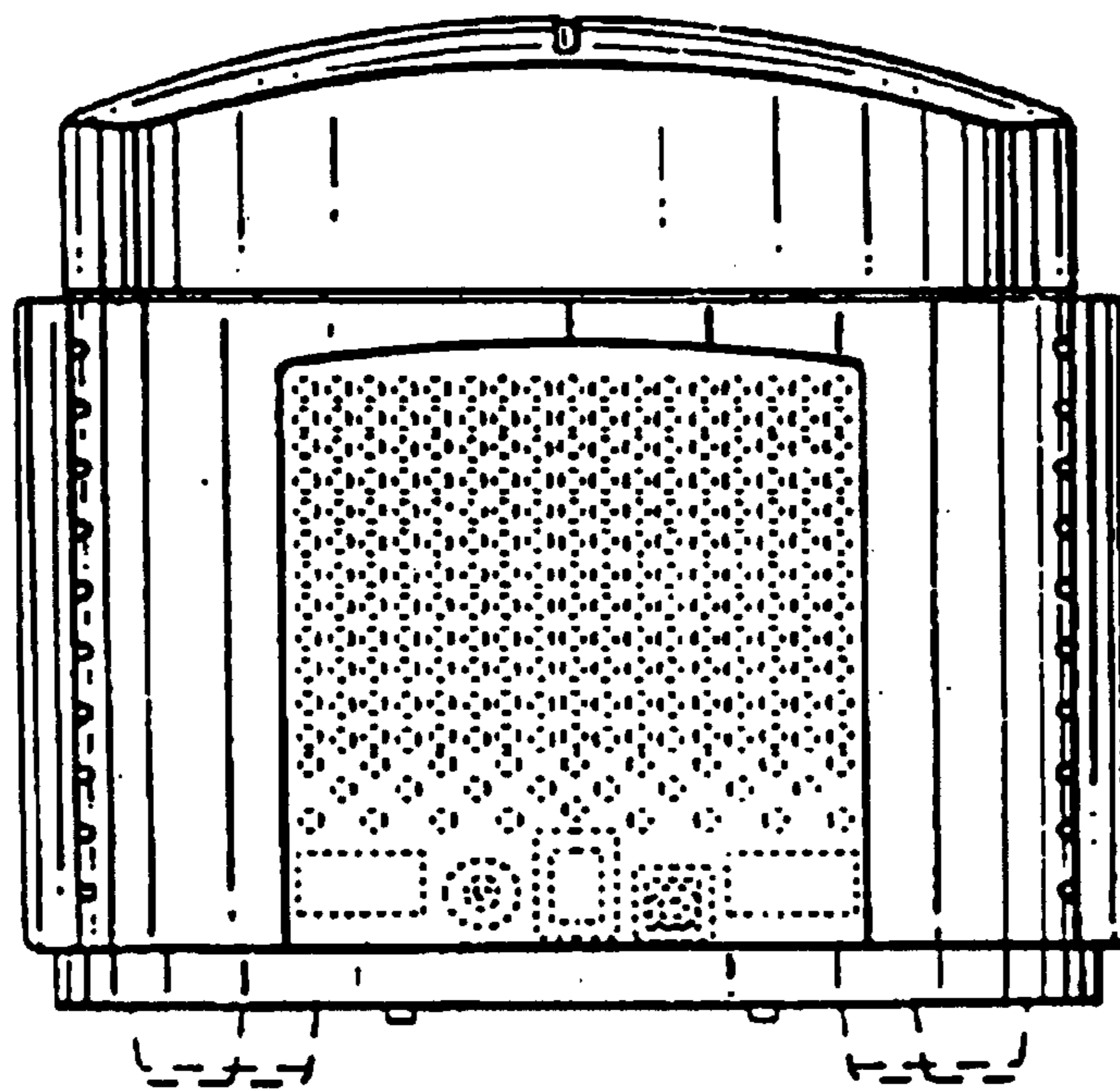


FIG. 10