



US00D516220S

(12) **United States Design Patent** (10) **Patent No.:** **US D516,220 S**
Nan (45) **Date of Patent:** **** Feb. 28, 2006**

(54) **MASSAGER**

(75) Inventor: **Simon Siu Man Nan**, Ontario (CA)

(73) Assignee: **Nanma Manufacturing Co., Ltd.**, Chai Wan (HK)

(**) Term: **14 Years**

(21) Appl. No.: **29/215,242**

(22) Filed: **Oct. 15, 2004**

(51) **LOC (8) Cl.** **28-03**

(52) **U.S. Cl.** **D24/215; D24/211; D24/214**

(58) **Field of Classification Search** **D24/215, D24/214, 200, 211; 600/38; 601/80, 51, 40, 601/46, 84, 72, 94, 70, 69, 79, 125, 122, 601/128; 310/81, 50; 128/844, 842, 918**

See application file for complete search history.

(56) **References Cited**

U.S. PATENT DOCUMENTS

D414,875 S	10/1999	Sirois et al.	
D415,283 S	10/1999	Moon	
D438,308 S	2/2001	Harris et al.	
D487,591 S	3/2004	Sai	
D488,232 S	* 4/2004	Nan D24/215
2003/0181835 A1	* 9/2003	Klein 601/72
2004/0068213 A1	* 4/2004	Fujisawa 601/70

* cited by examiner

Primary Examiner—Ian Simmons

(57) **CLAIM**

The ornamental design for a massager, as shown and described.

DESCRIPTION

FIG. 1 is a front view of a massager showing my new design in full lines with the broken lines showing of environmental

association matter being for illustrative purposes only and forming no part of the claimed design;

FIG. 2 is a back view of the massager rotated 180° from that shown in FIG. 1 in full lines, and the environmental association matter shown in broken lines;

FIG. 3 is a side view rotated 90° from that shown in FIG. 1;

FIG. 4 is an opposite side view of the massager rotated 180° from that shown in FIG. 3 in full lines, and the environmental association matter shown in broken lines;

FIG. 5 is a top plan view of the massager shown in FIG. 1 in full lines, and the environmental association matter shown in broken lines;

FIG. 6 is a bottom plan view of the massager shown in FIG. 1 in full lines, and the environmental association matter shown in broken lines;

FIG. 7 is a front view of an alternative embodiment of the massager in full lines with environmental association matter shown in broken lines;

FIG. 8 is a back view of the alternative embodiment of the massager rotated 180° from that shown in FIG. 7;

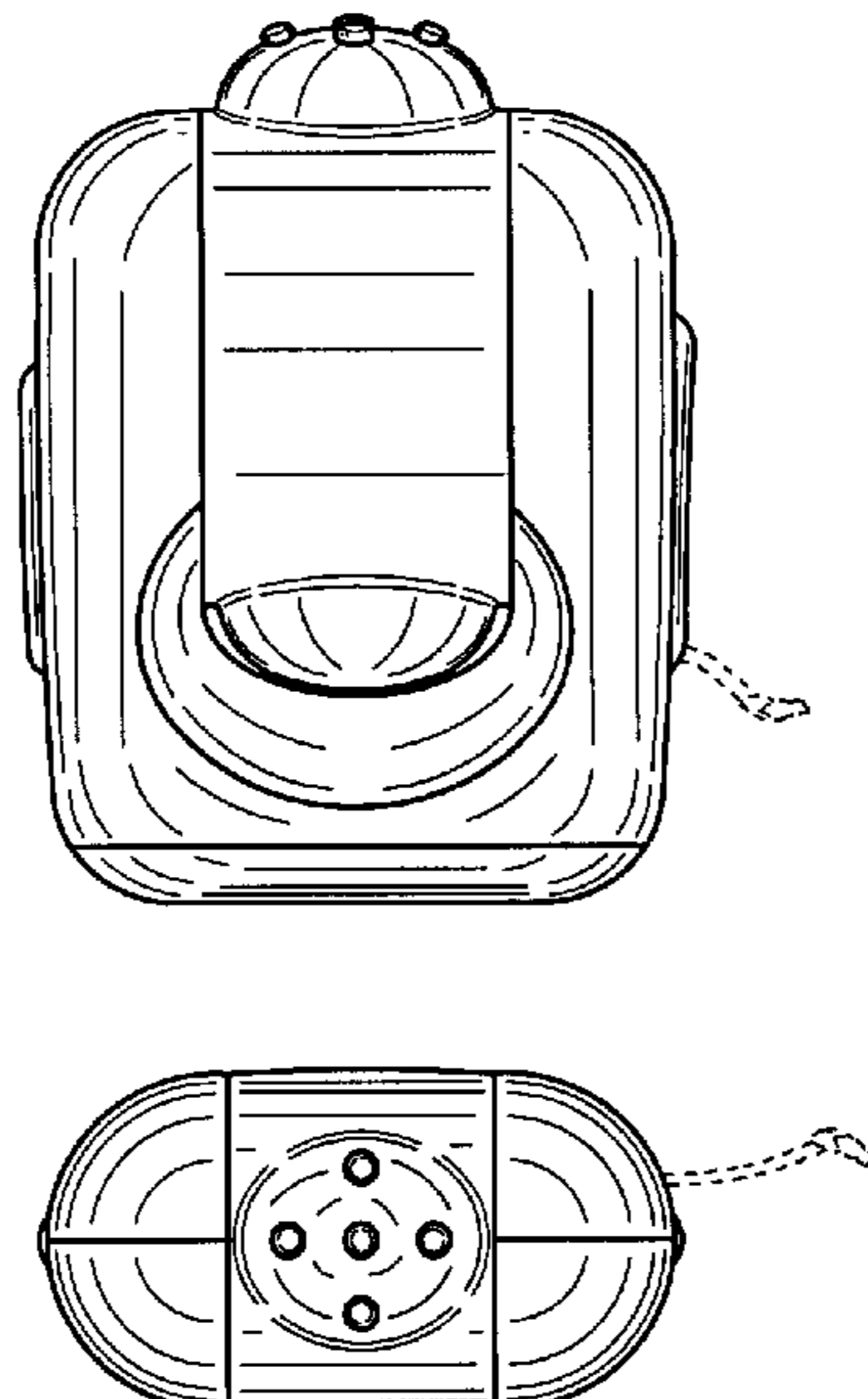
FIG. 9 is a side view of the alternative embodiment of the massager rotated 90° from that shown in FIG. 7;

FIG. 10 is an opposite side view of the alternative embodiment of the massager rotated 180° from that shown in FIG. 9;

FIG. 11 is a top plan view of the alternative embodiment of the massager shown in full lines, and the environmental association matter shown in broken lines; and,

FIG. 12 is a bottom plan view of the alternative embodiment of the massager shown in full lines, and the environmental association matter shown in broken lines.

1 Claim, 2 Drawing Sheets



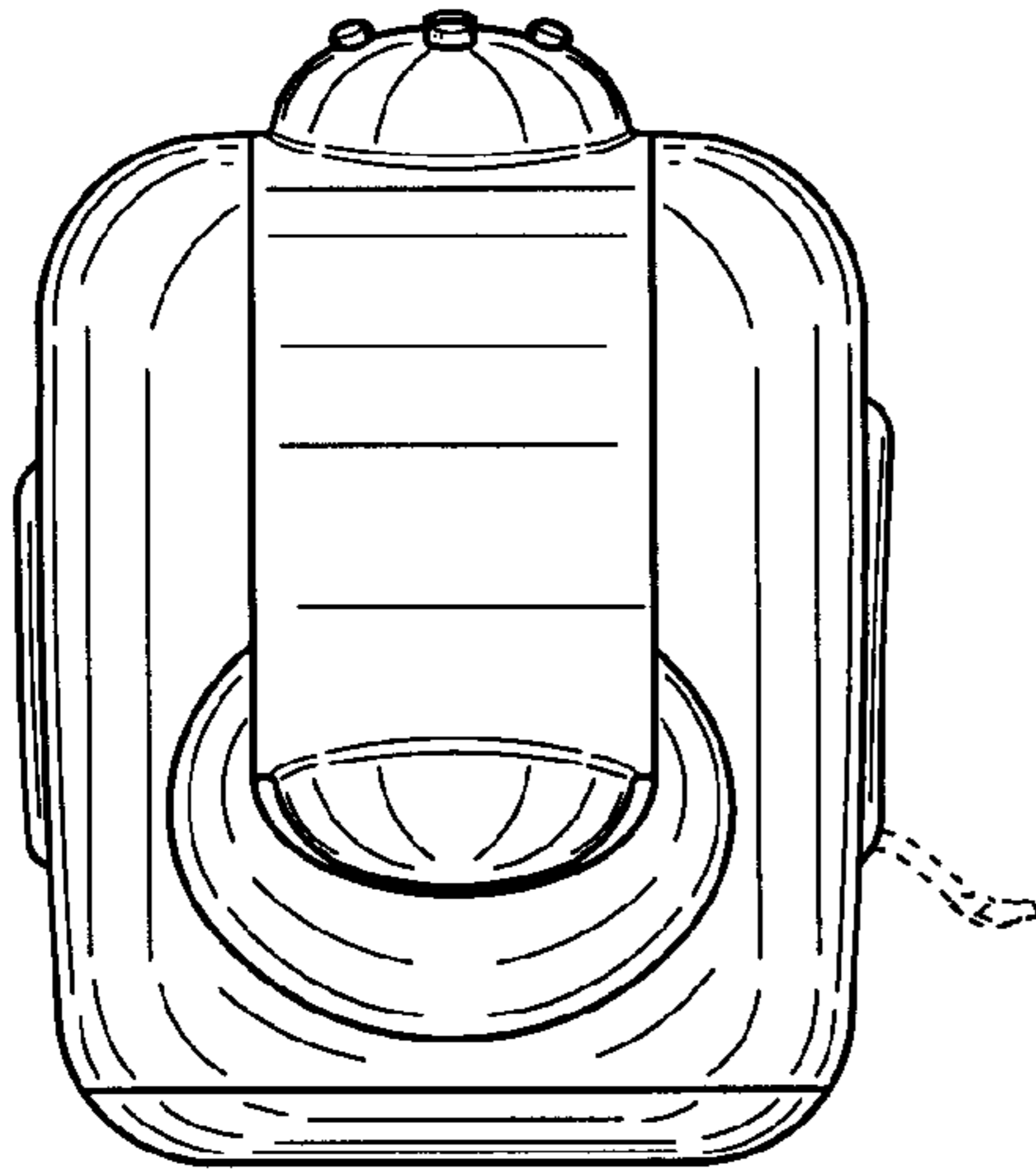


FIG. 1

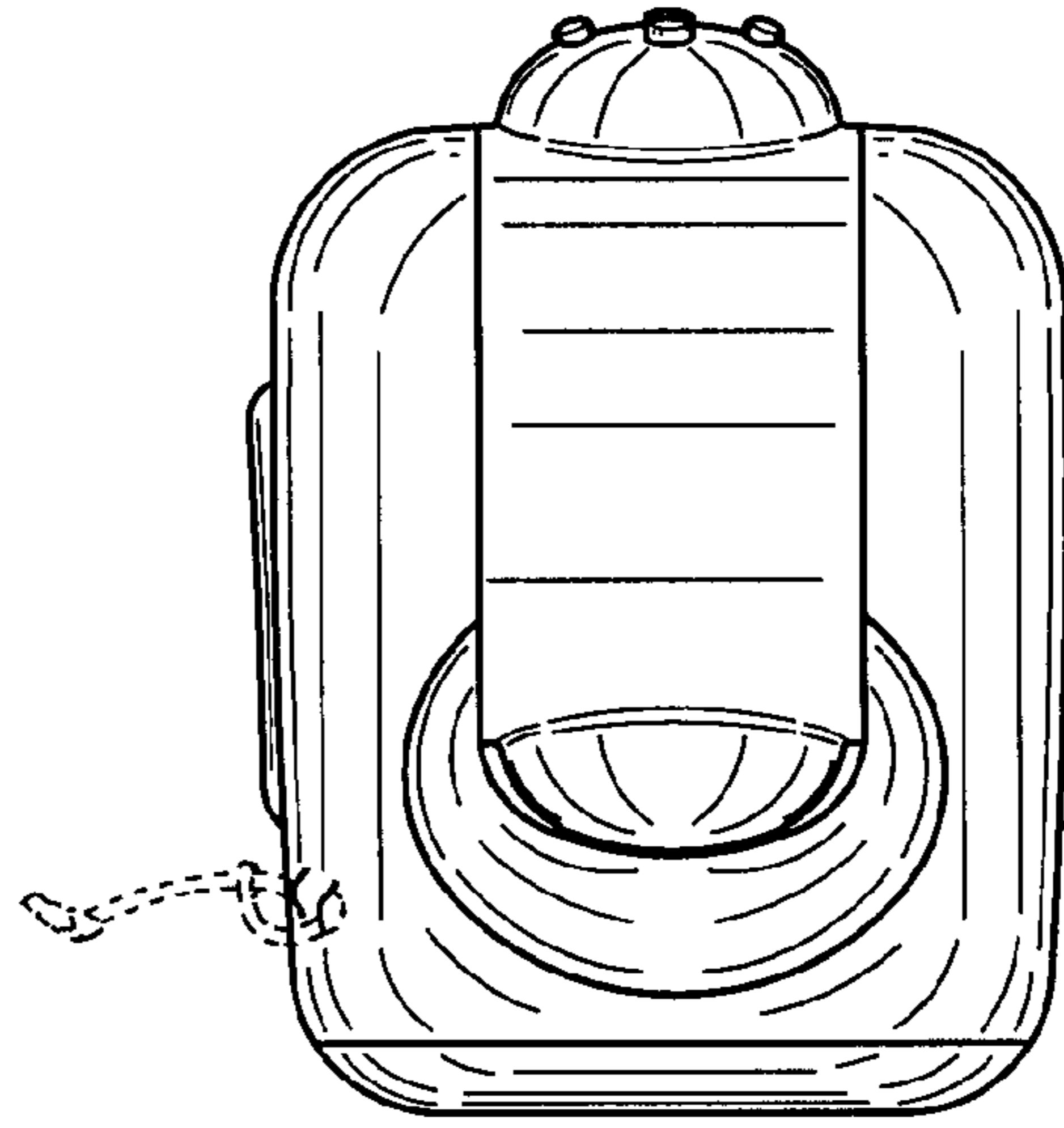


FIG. 2

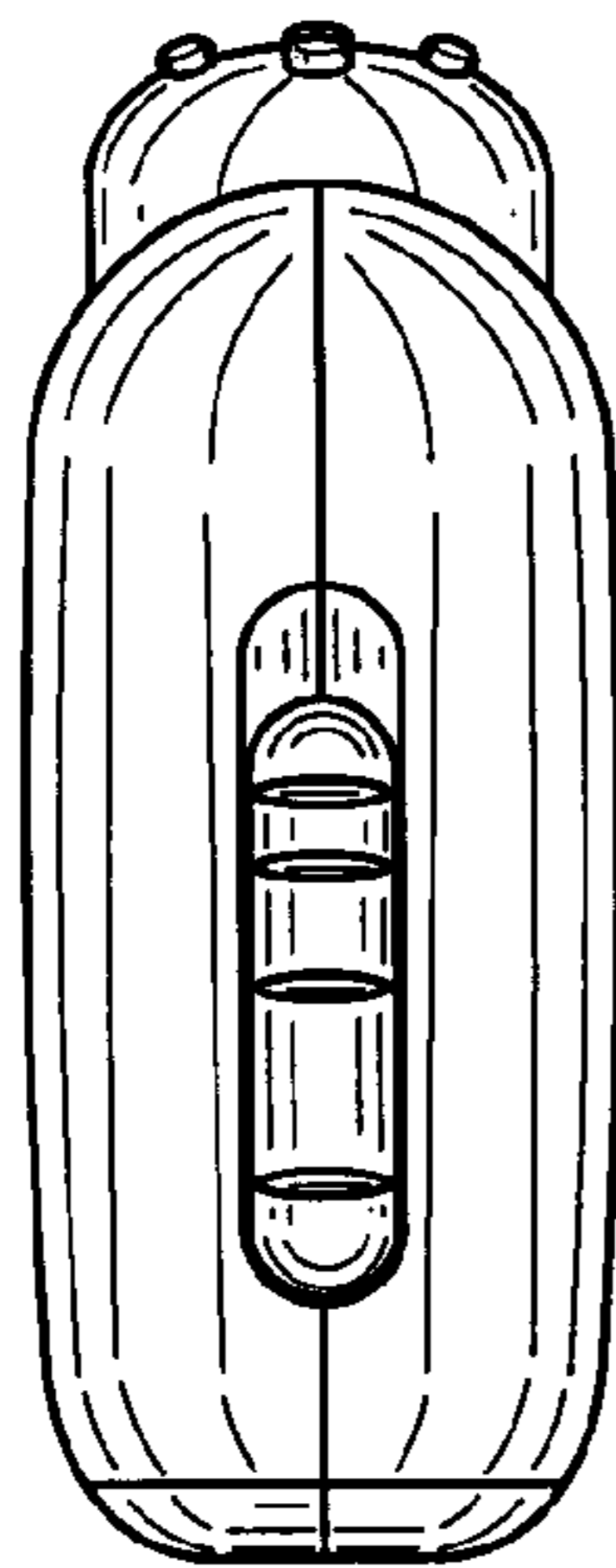


FIG. 3

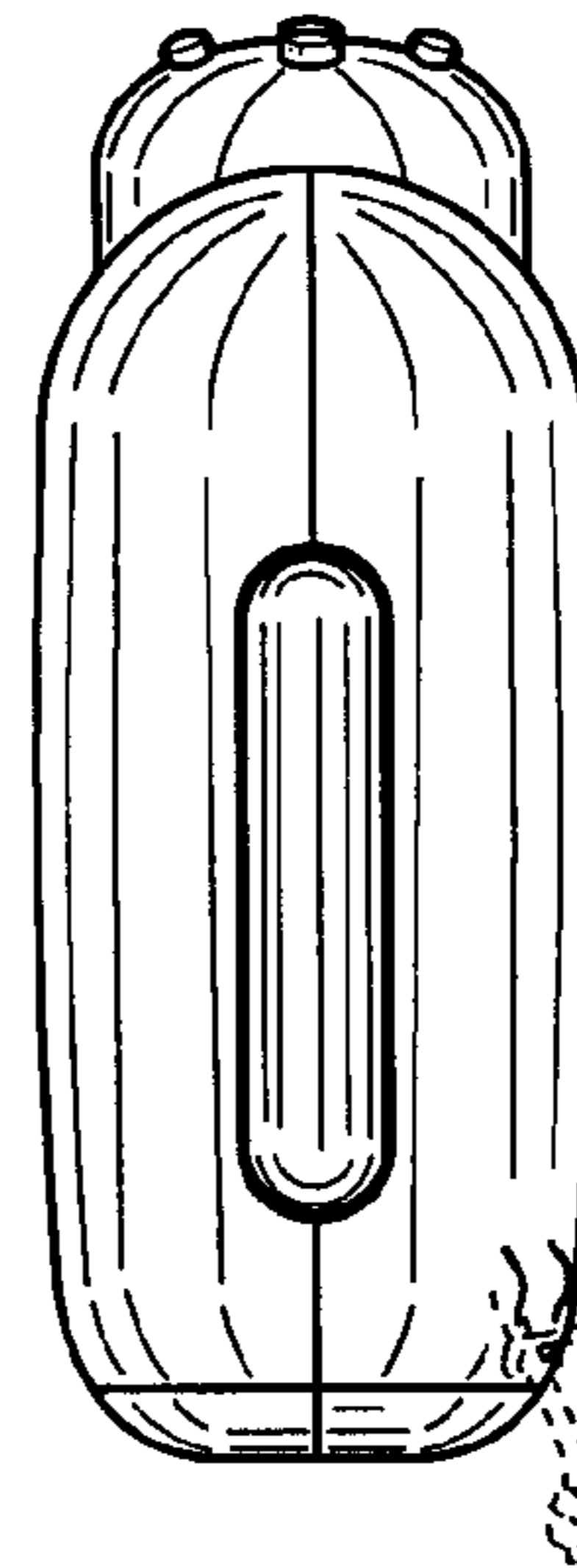


FIG. 4

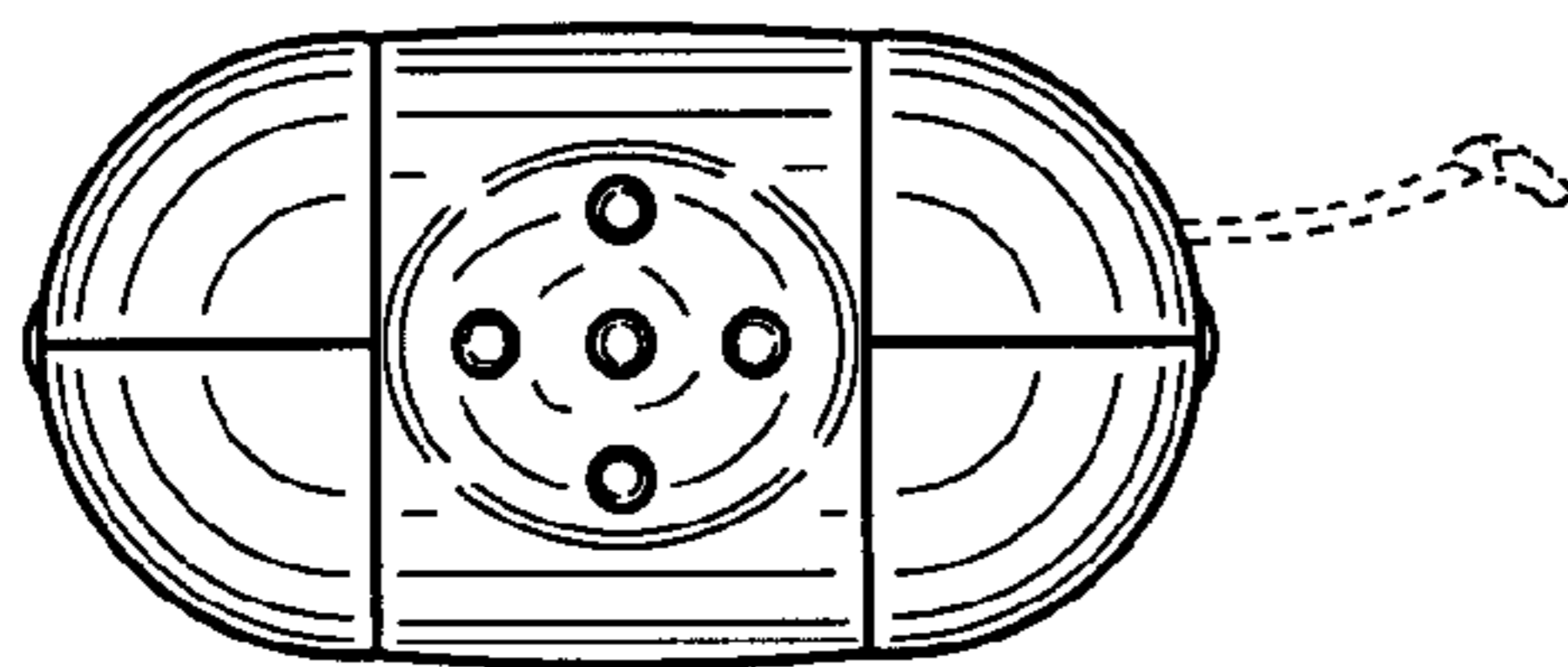


FIG. 5

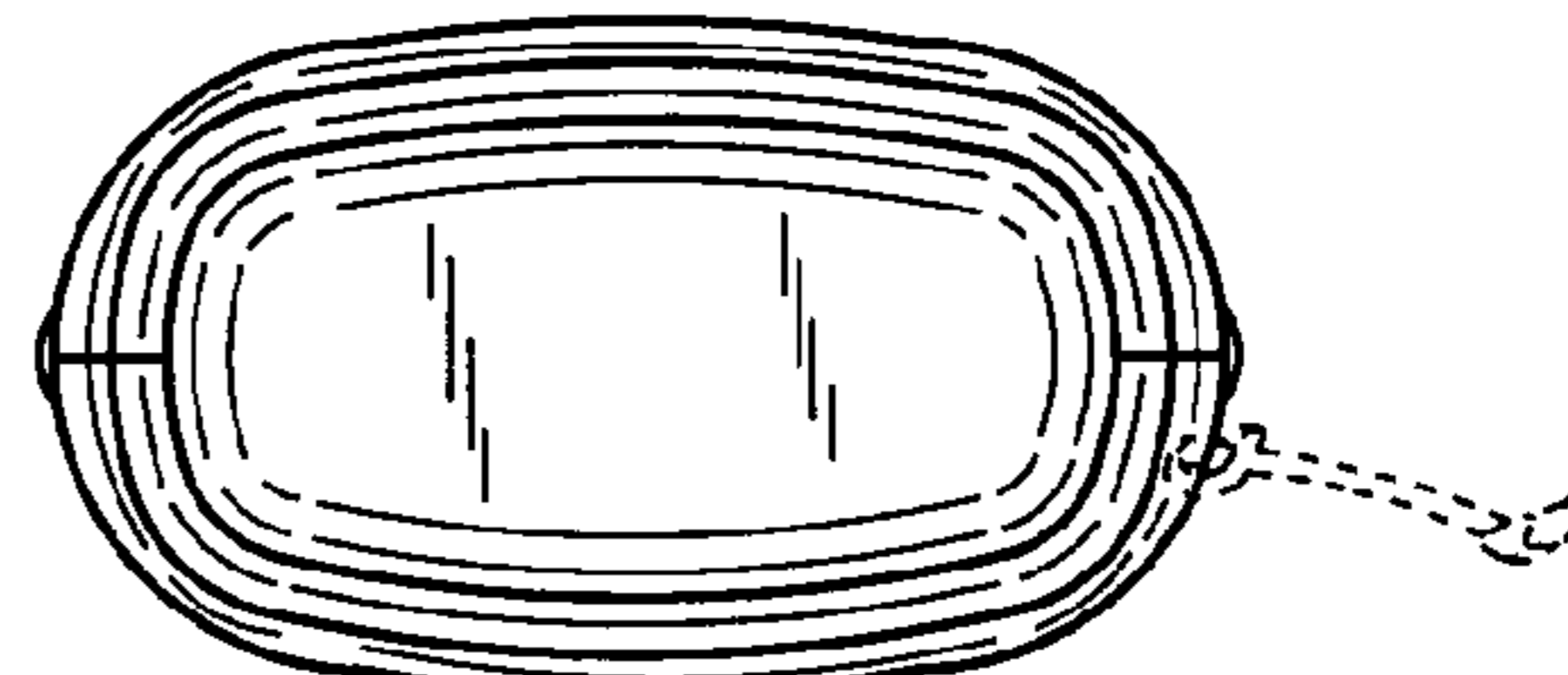


FIG. 6

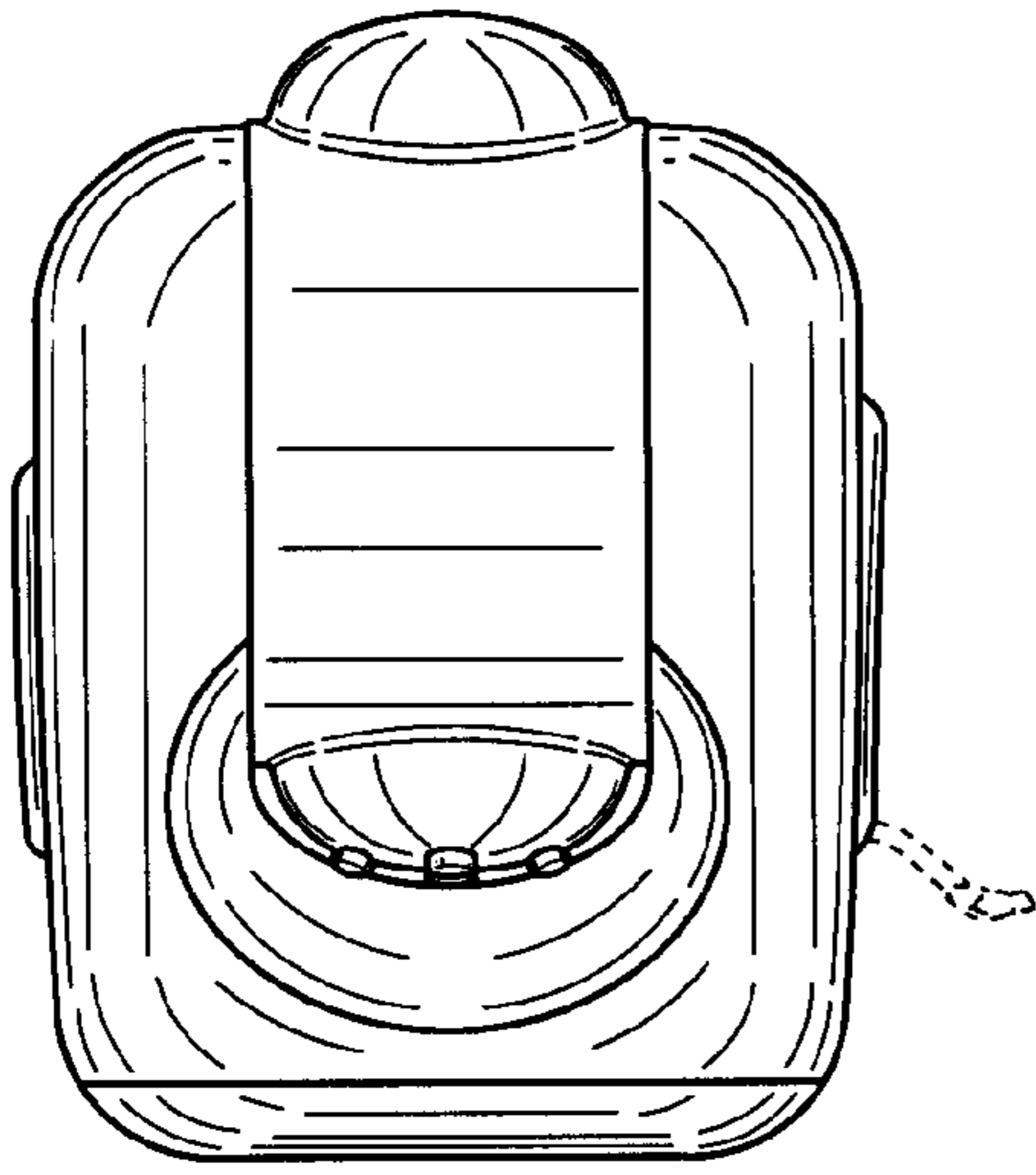


FIG. 7

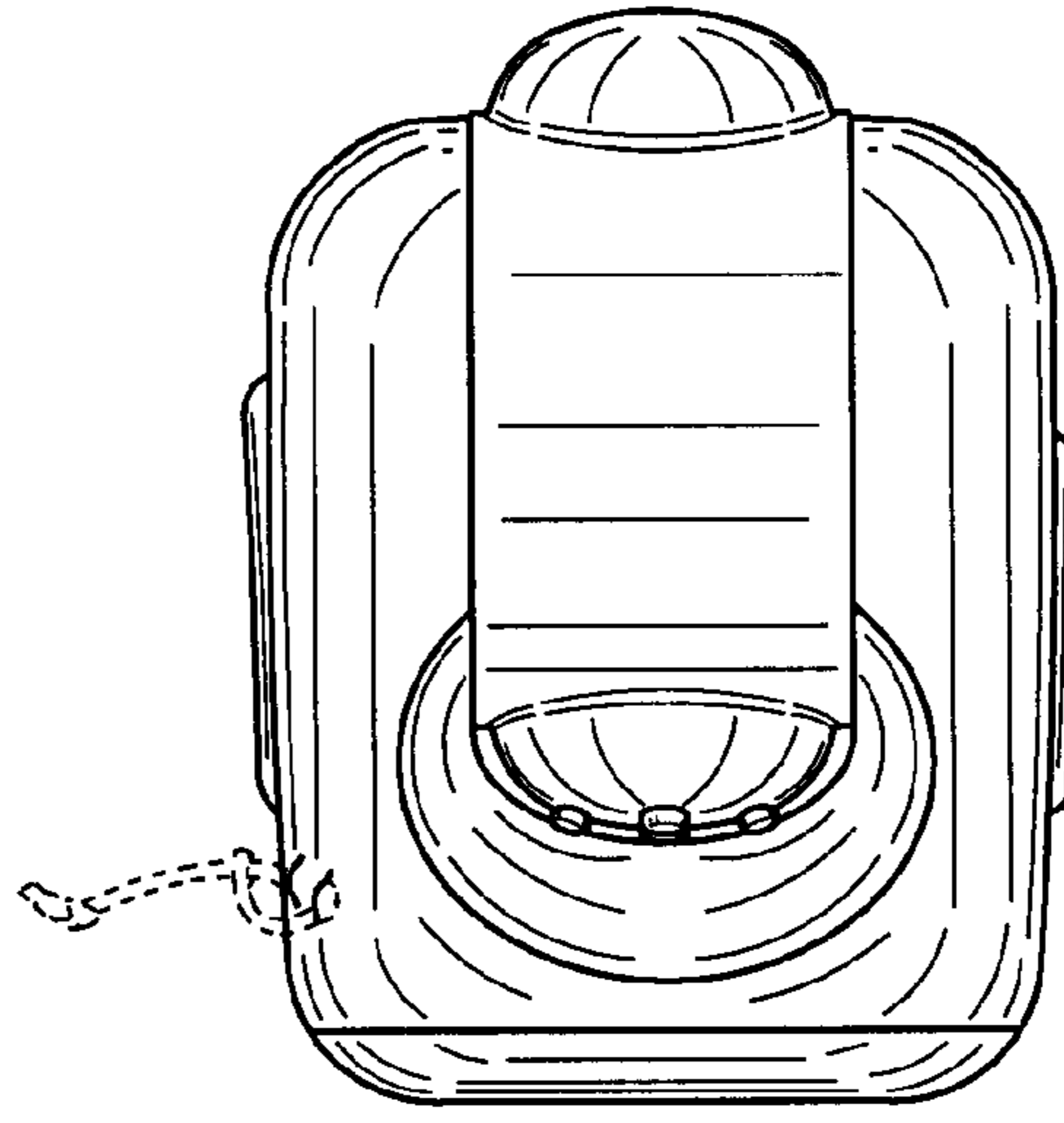


FIG. 8

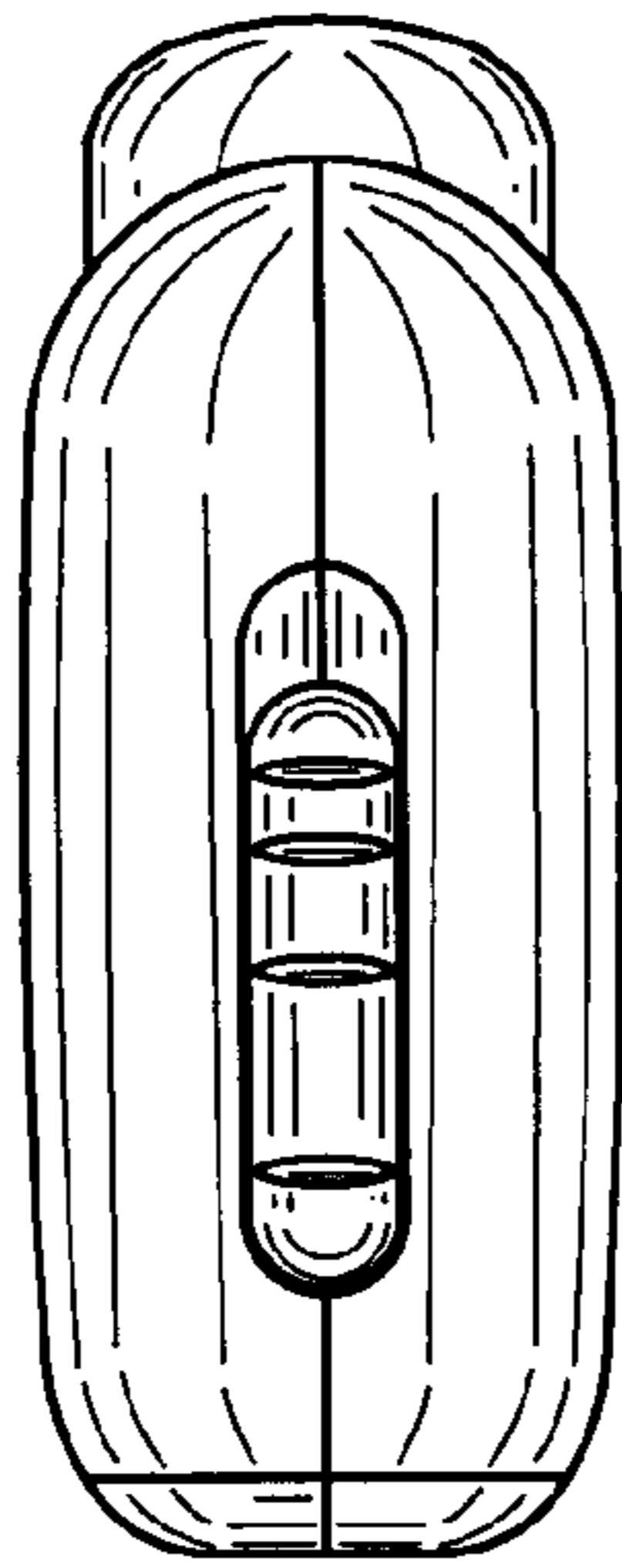


FIG. 9

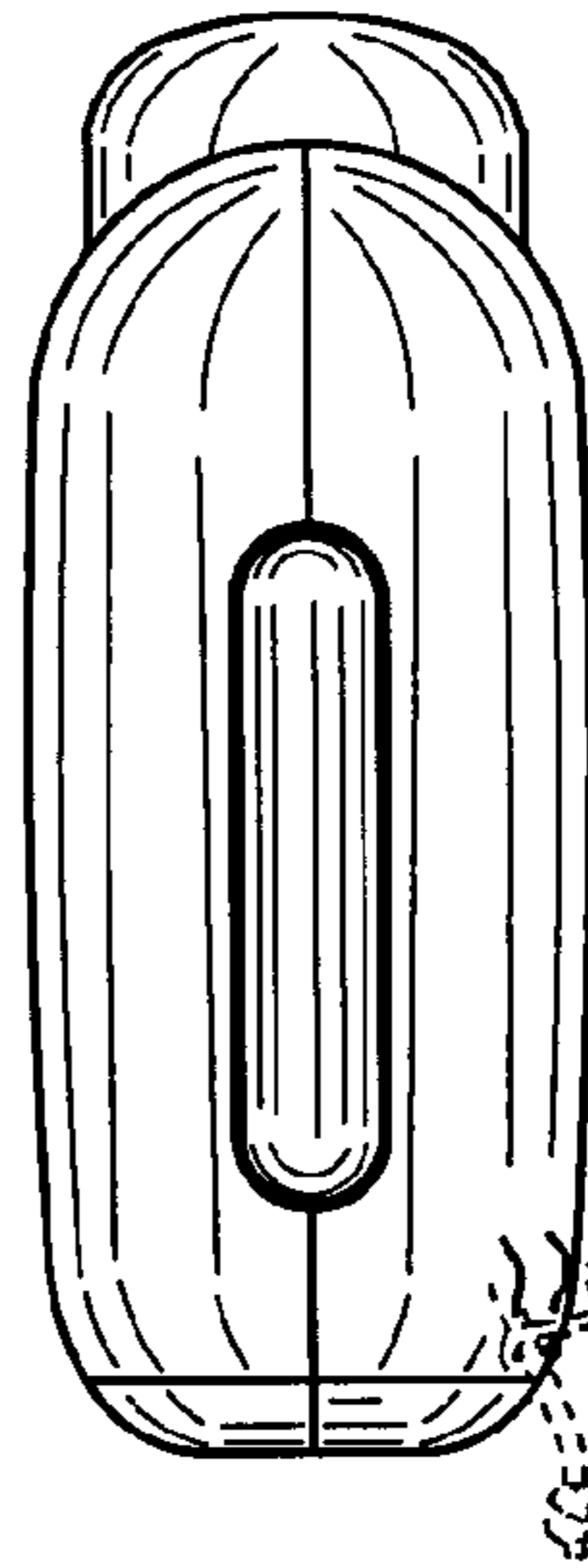


FIG. 10

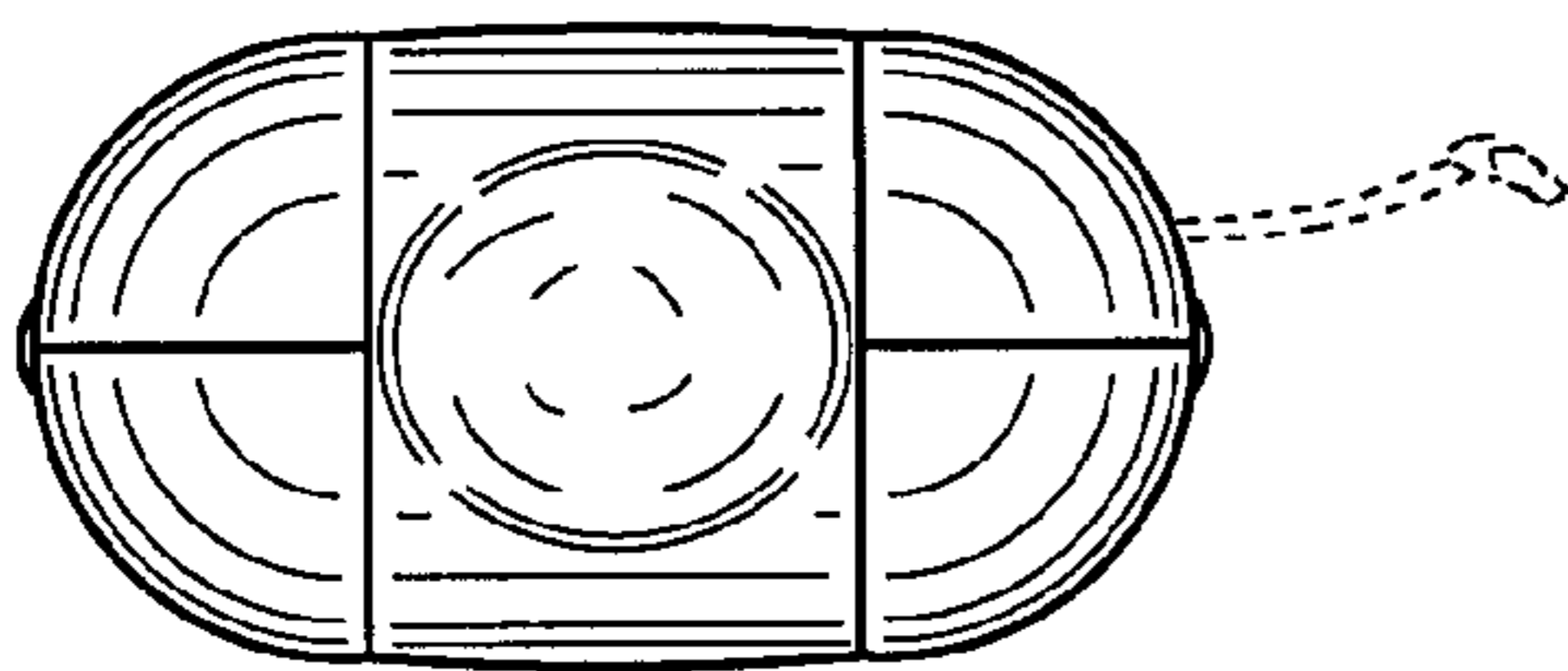


FIG. 11

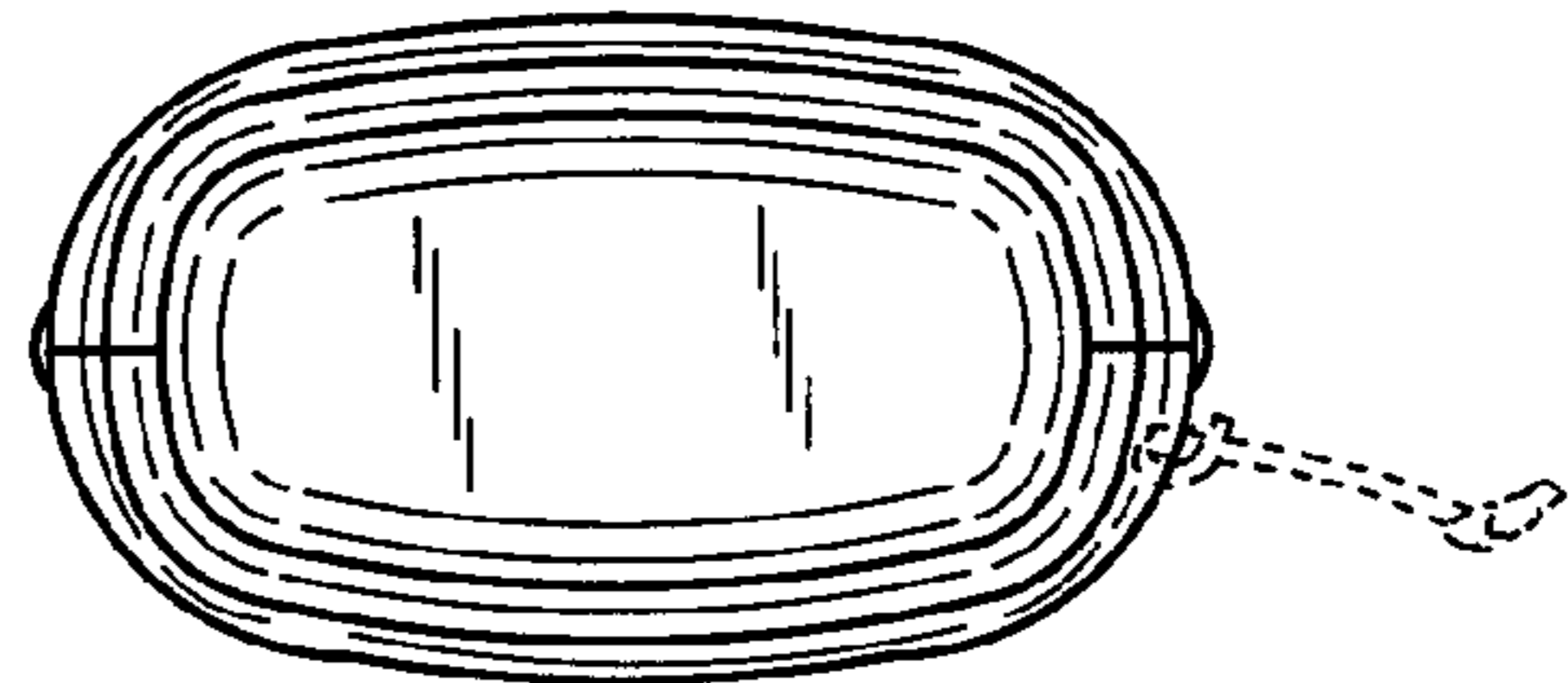


FIG. 12