



US00D516218S

(12) **United States Design Patent**
Larocca

(10) **Patent No.: US D516,218 S**
(45) **Date of Patent: ** Feb. 28, 2006**

(54) **WRIST DEVICE**

(76) **Inventor: Robert J. Larocca**, 804 Glen Devon Ct. South, Whitsett, NC (US) 27377

(**) **Term: 14 Years**

(21) **Appl. No.: 29/203,506**

(22) **Filed: Apr. 15, 2004**

(51) **LOC (8) Cl. 24-99**

(52) **U.S. Cl. D24/190**

(58) **Field of Classification Search** D24/190,
D24/127, 128, 188, 183; D11/1, 4; D8/394,
D8/395; 16/422, 423; 294/25
See application file for complete search history.

(56) **References Cited**

U.S. PATENT DOCUMENTS

D270,945 S	10/1983	Kohn	24/34
5,156,429 A *	10/1992	Adams	294/25
5,797,166 A *	8/1998	Wagenheim	16/443
5,853,210 A *	12/1998	Robinson	294/25
6,901,635 B1 *	6/2005	Scola	16/422

OTHER PUBLICATIONS

Print-out of web page from AllegroMedical.com for "The Arthwriter Hand Aid"; copyright 1996-2003; one page.

Print-out of web page from HSIonline.com for "Handaid"; disposable moisturizing gloves; undated.

* cited by examiner

Primary Examiner—Ian Simmons

Assistant Examiner—Daniel Yu

(57) **CLAIM**

The ornamental design for a wrist device, as shown and described.

DESCRIPTION

FIG. 1 is a top plan view of a wrist device as seen being worn and supporting a hand bag, the dashed line does not form part of the design;

FIG. 2 is a top, left side, rear perspective view thereof;

FIG. 3 is a front elevational view thereof;

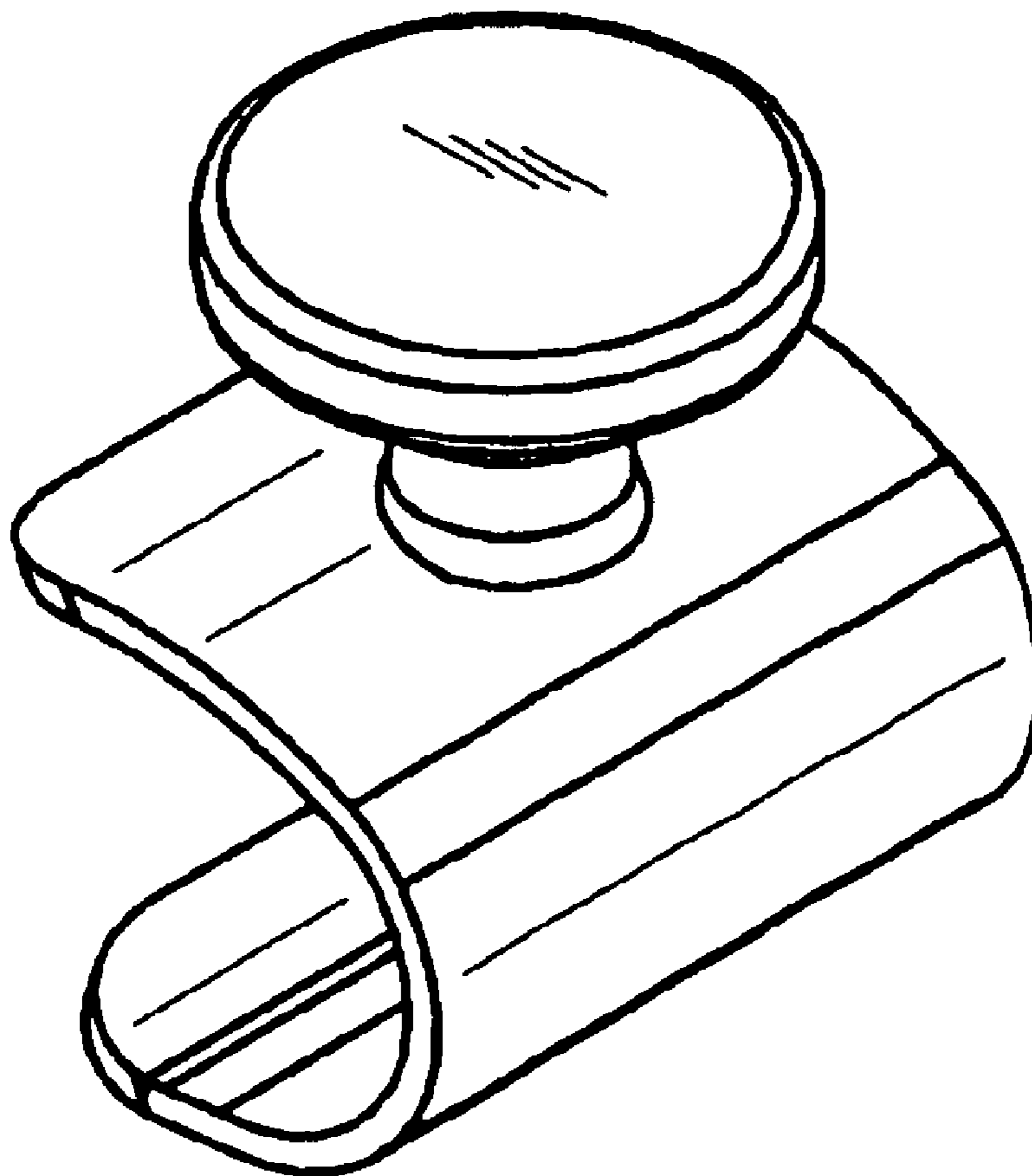
FIG. 4 is a top plan view thereof;

FIG. 5 is a left side elevational view thereof;

FIG. 6 is a bottom plan view thereof; and,

FIG. 7 is a right side elevational view thereof.

1 Claim, 2 Drawing Sheets



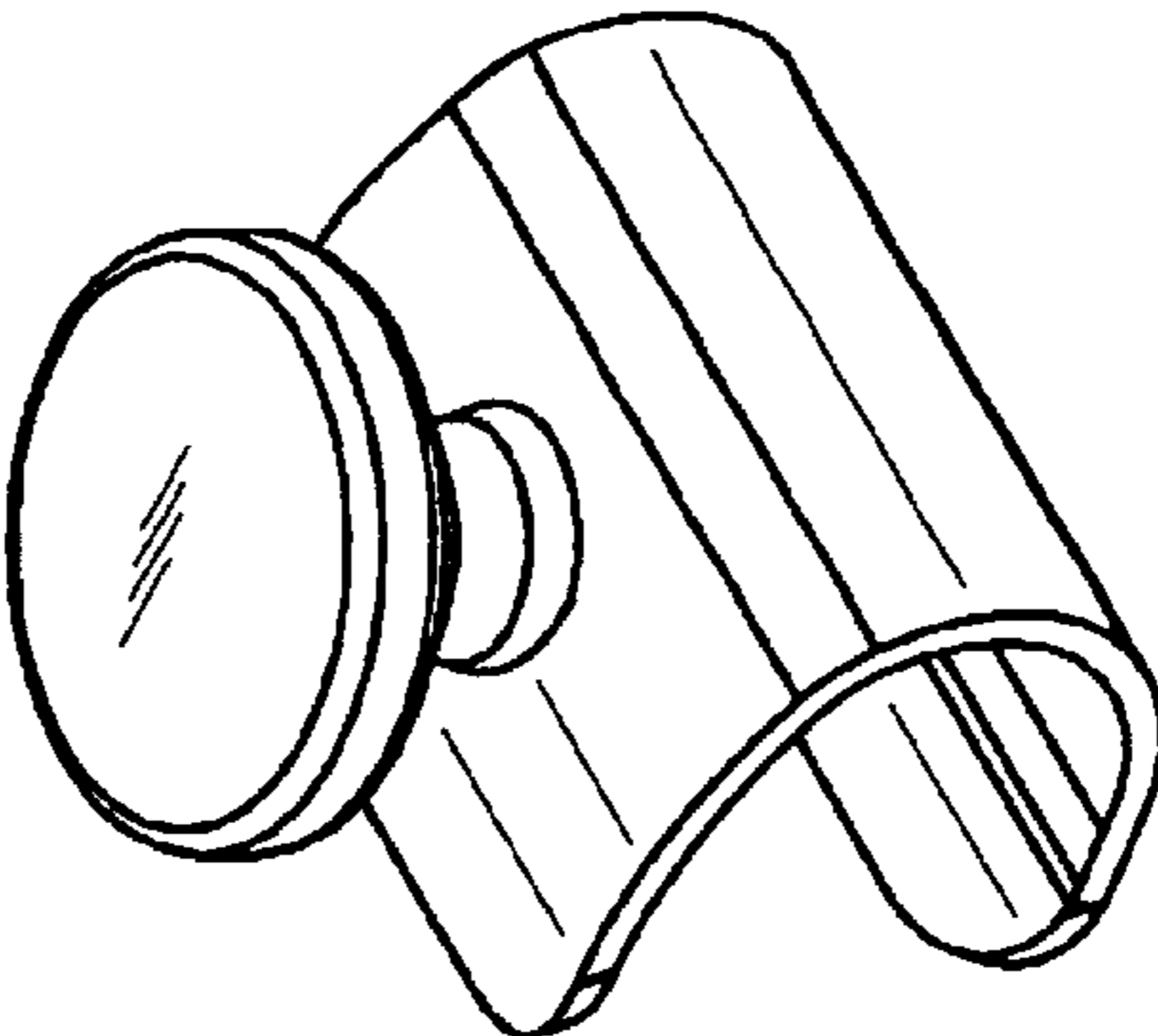
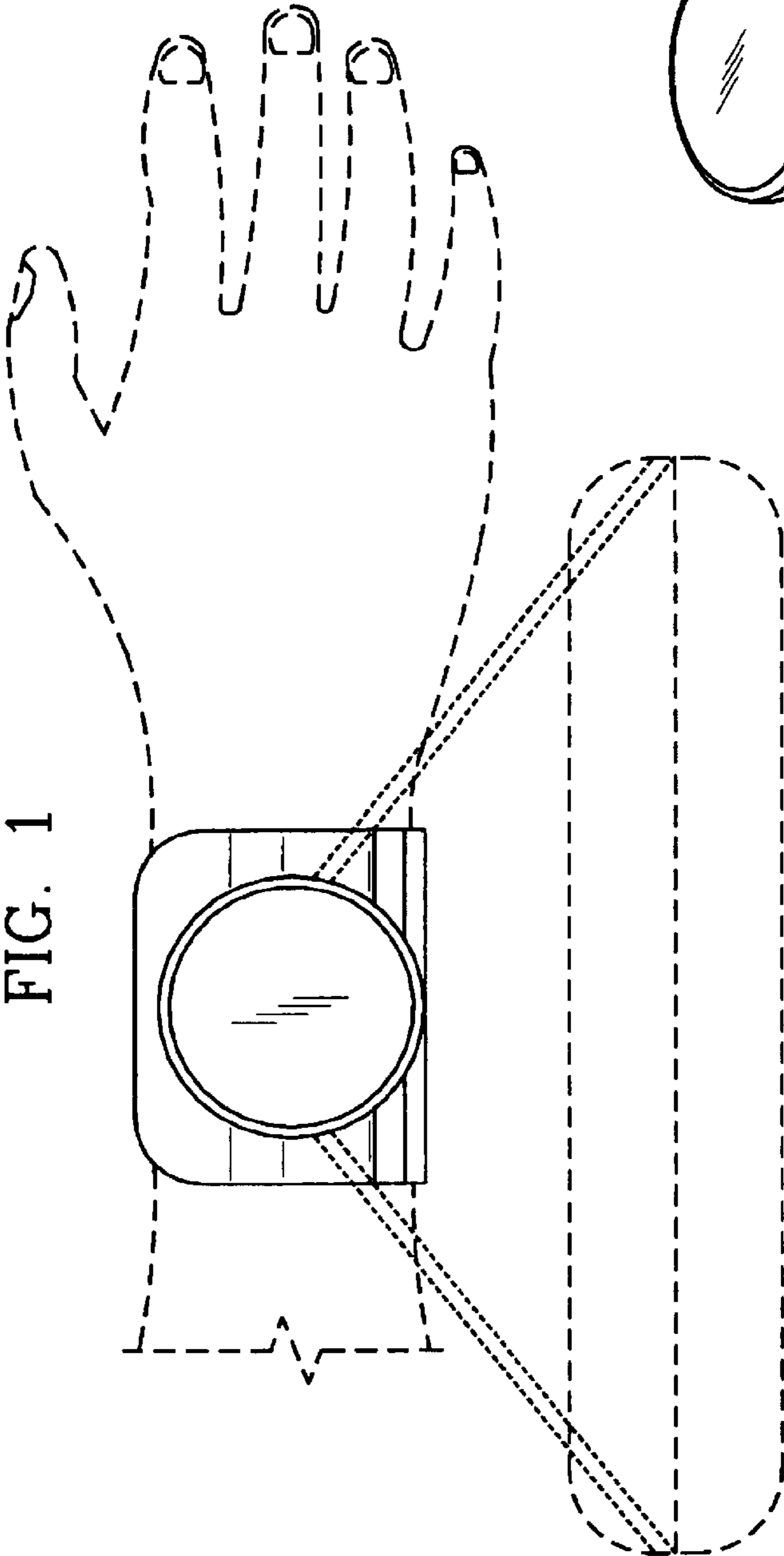


FIG. 2

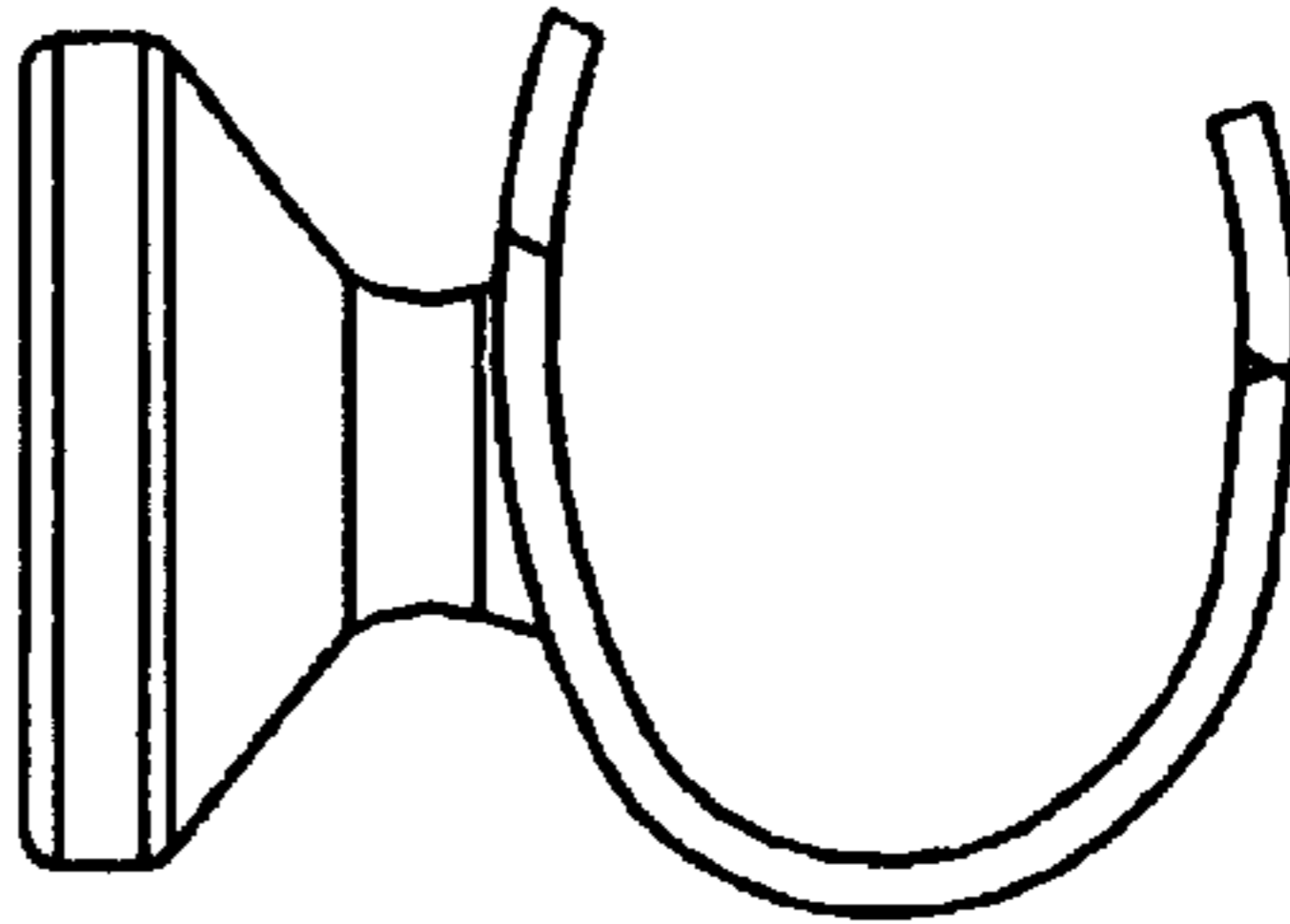


FIG. 3

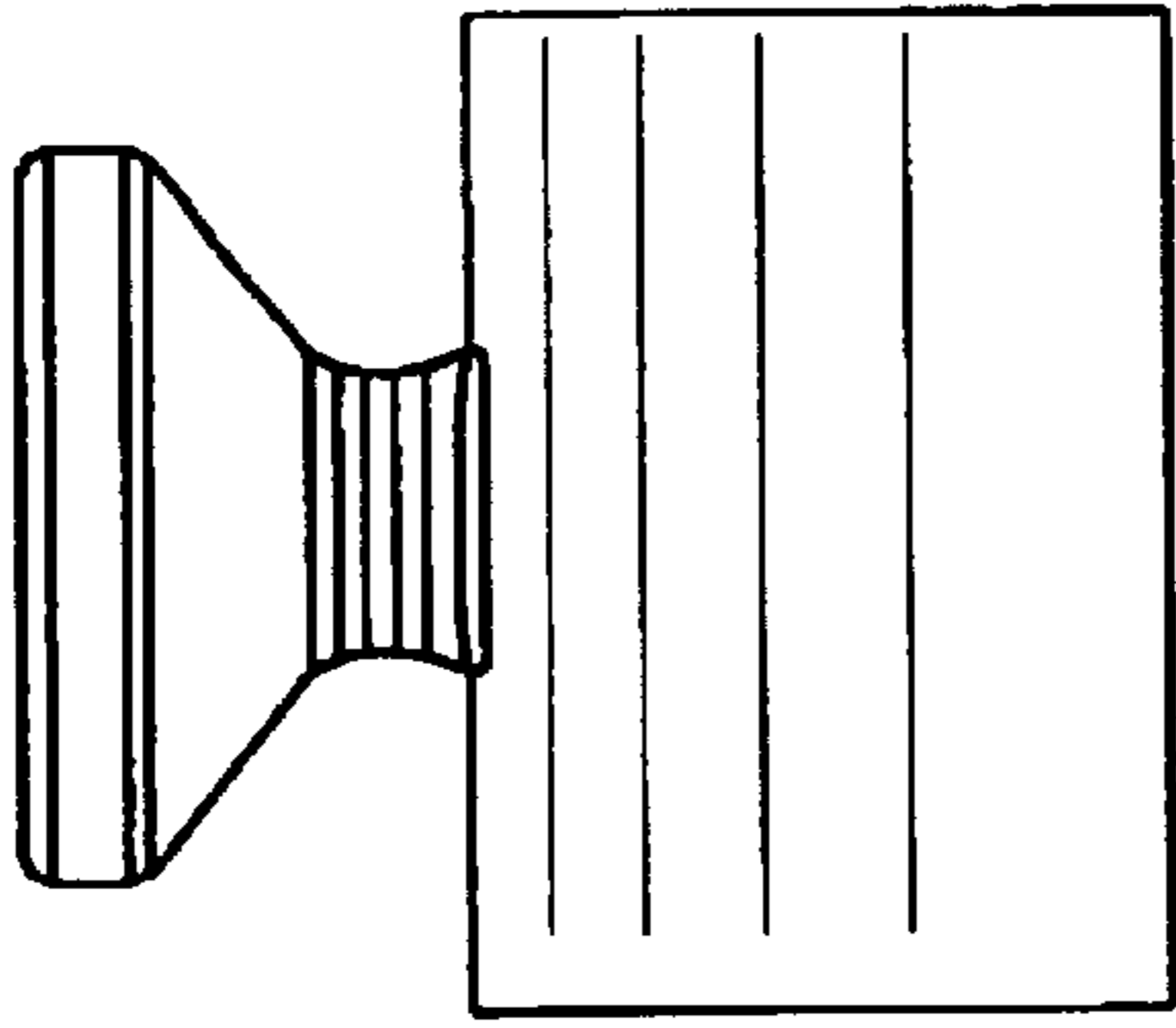


FIG. 5

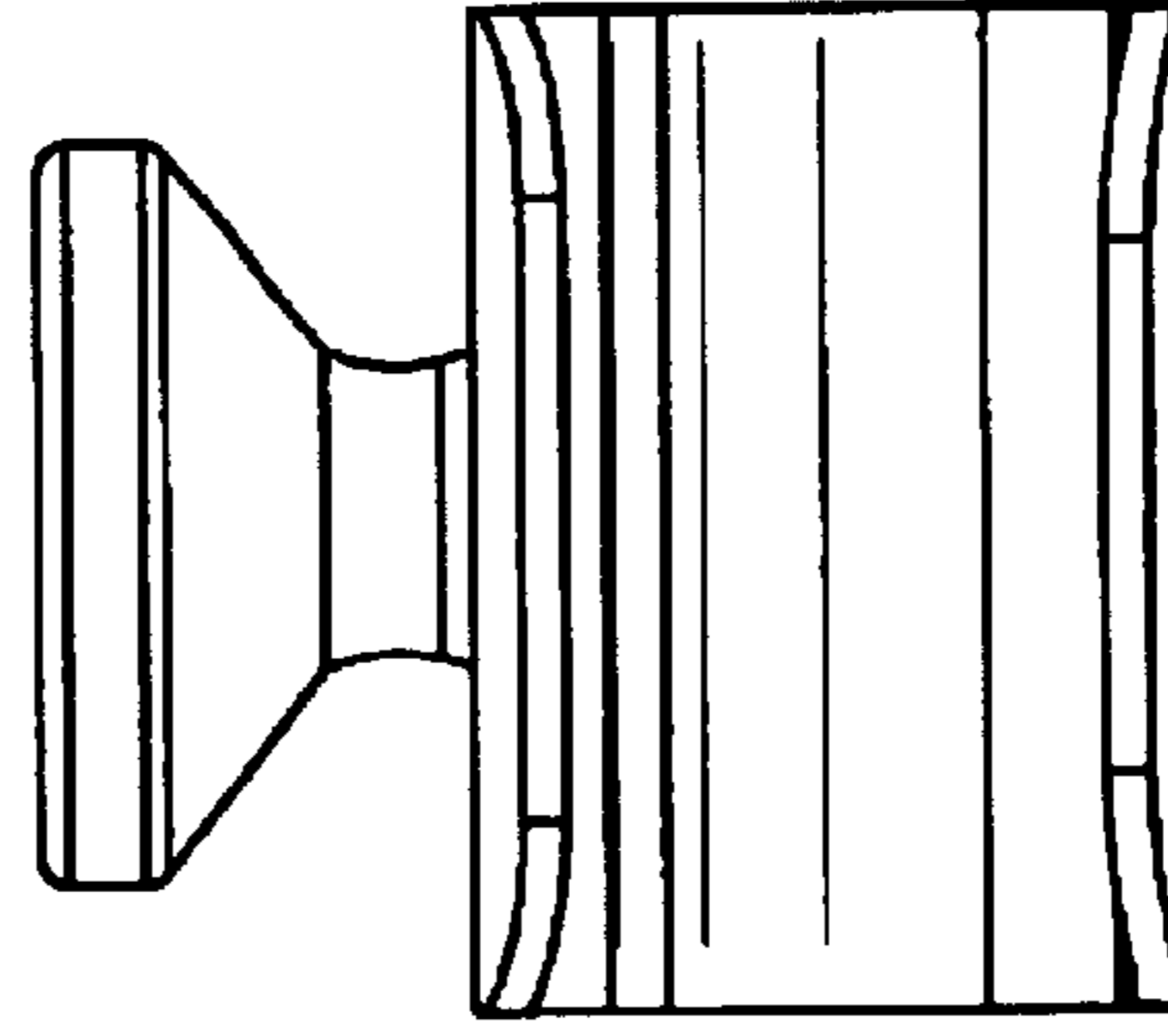


FIG. 7

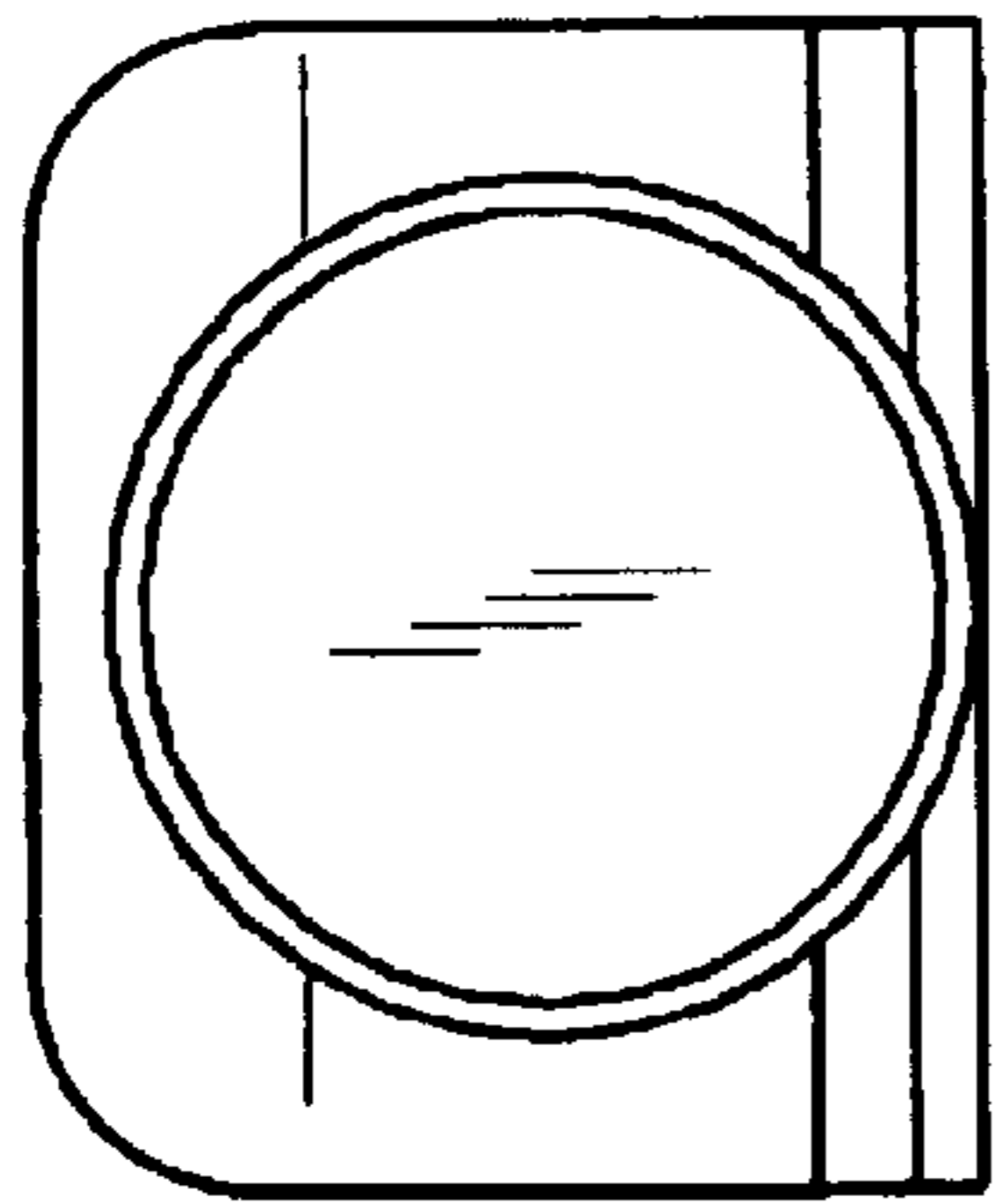


FIG. 4

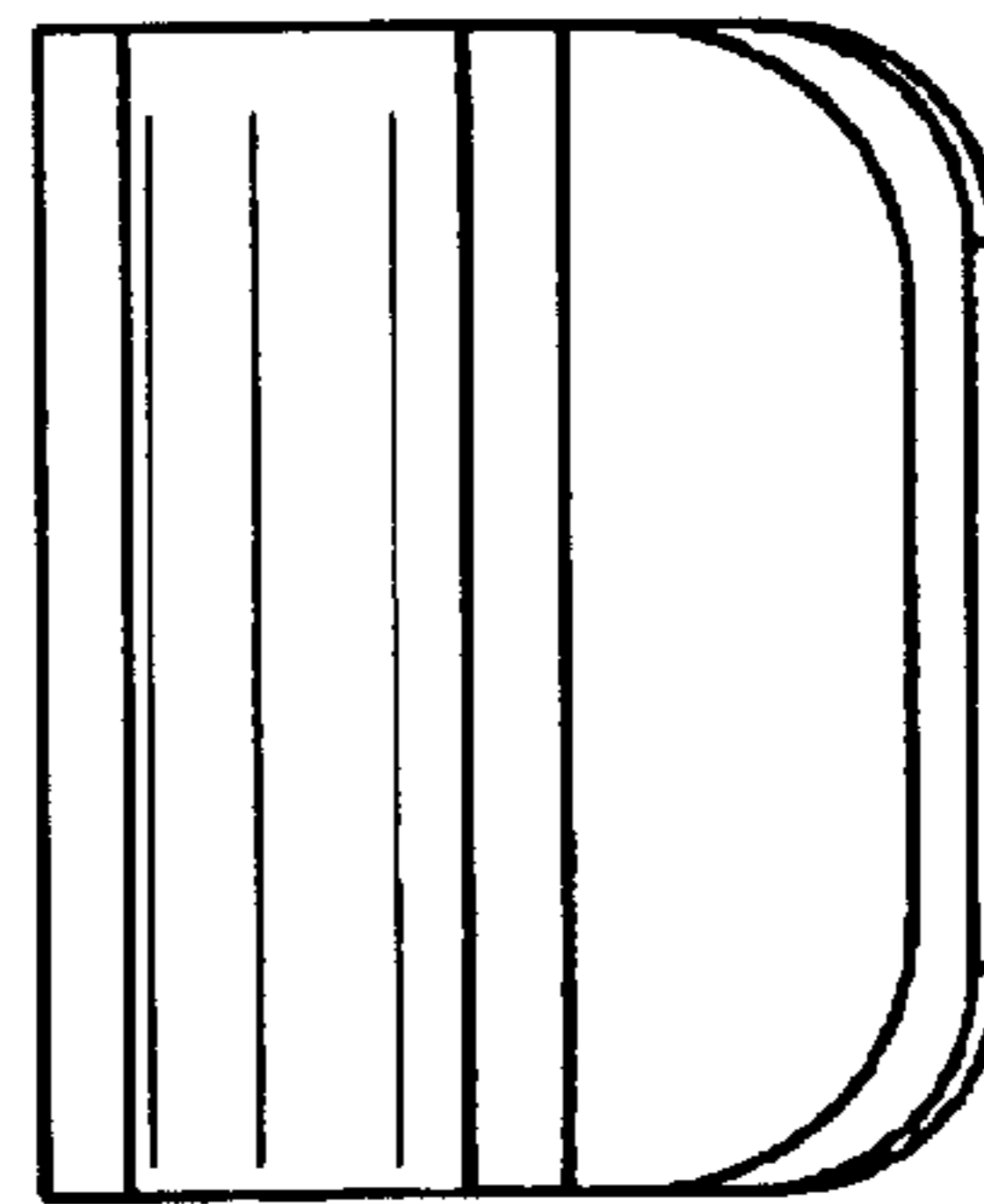


FIG. 6