



US00D516216S

(12) **United States Design Patent**  
**Portmann**

(10) **Patent No.:** **US D516,216 S**  
(45) **Date of Patent:** **\*\* Feb. 28, 2006**

(54) **HEARING AID**

(76) **Inventor:** **Paul Portmann**, Wollerauerstrasse 49,  
8834 Schindellegi (CH)

(\*\*) **Term:** **14 Years**

(21) **Appl. No.:** **29/201,057**

(22) **Filed:** **Mar. 10, 2004**

(30) **Foreign Application Priority Data**

Nov. 21, 2003 (CH) ..... 130195

(51) **LOC (8) Cl.** ..... **24-99**

(52) **U.S. Cl.** ..... **D24/174**

(58) **Field of Classification Search** ..... D24/174;  
381/68, 68.7, 312, 23.1, 322, 330

See application file for complete search history.

(56) **References Cited**

**U.S. PATENT DOCUMENTS**

D322,319 S \* 12/1991 van Mourik ..... D24/174  
D354,568 S \* 1/1995 Araki et al. .... D24/174  
D385,036 S \* 10/1997 Nielsen ..... D24/174  
6,101,259 A \* 8/2000 Rapps ..... 381/330

D457,635 S \* 5/2002 Dittli et al. .... D24/174  
6,574,343 B1 \* 6/2003 Meier ..... 381/322  
6,658,125 B1 \* 12/2003 Batting ..... 381/330  
6,658,307 B1 \* 12/2003 Mueller ..... 381/23.1  
D484,983 S \* 1/2004 Nielsen ..... D24/174  
6,870,940 B2 \* 3/2005 Meyer et al. .... 381/23.1

\* cited by examiner

*Primary Examiner*—Ian Simmons

*Assistant Examiner*—Daniel Yu

(74) *Attorney, Agent, or Firm*—Dykema Gossett PLLC

(57) **CLAIM**

I claim the ornamental design for a hearing aid, as shown and described.

**DESCRIPTION**

FIG. 1 is a perspective view of a hearing aid showing my design,

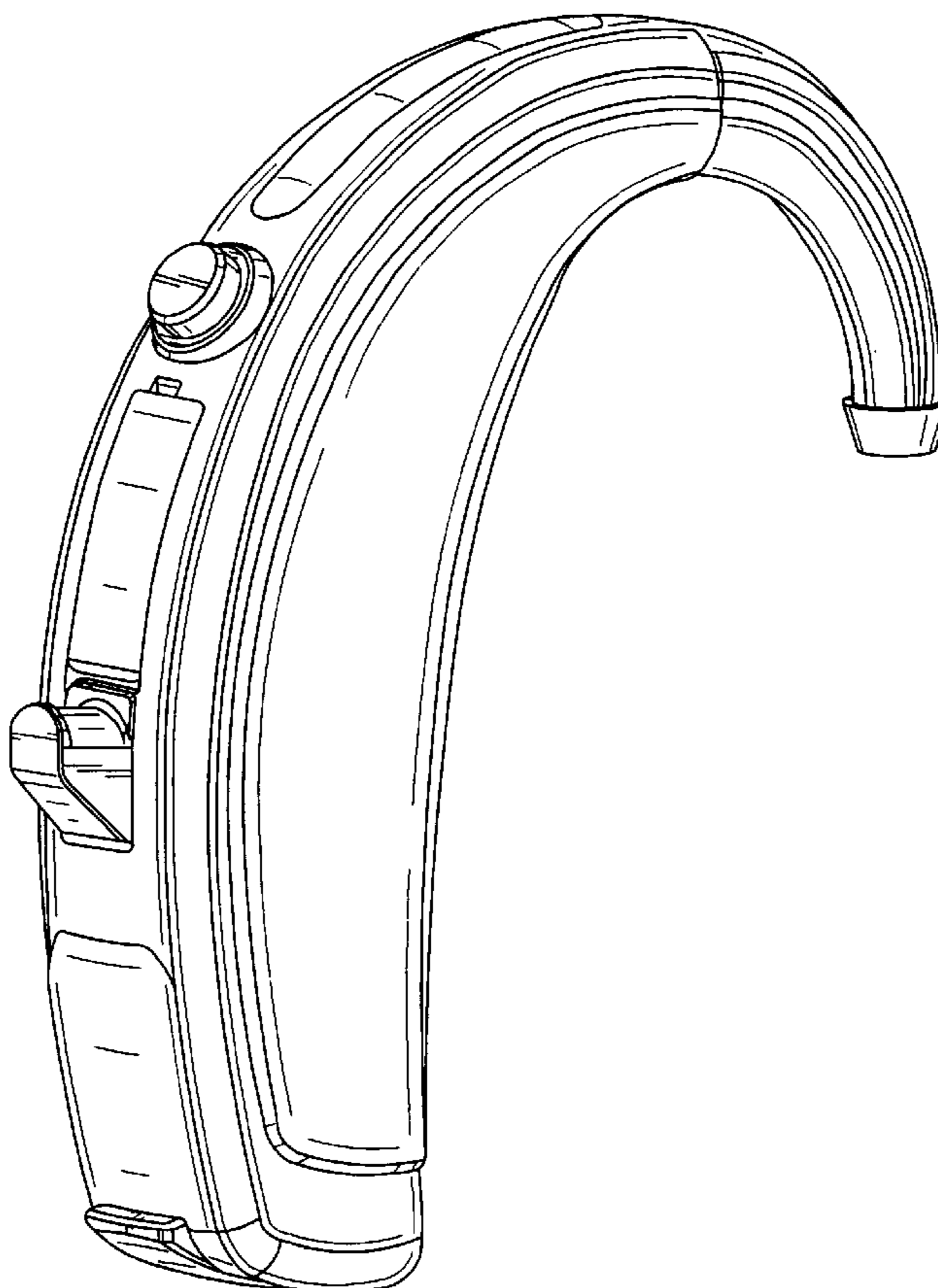
FIG. 2 is a side view thereof,

FIG. 3 is a bottom view thereof,

FIG. 4 is a front view thereof; and,

FIG. 5 is a rear view thereof.

**1 Claim, 3 Drawing Sheets**



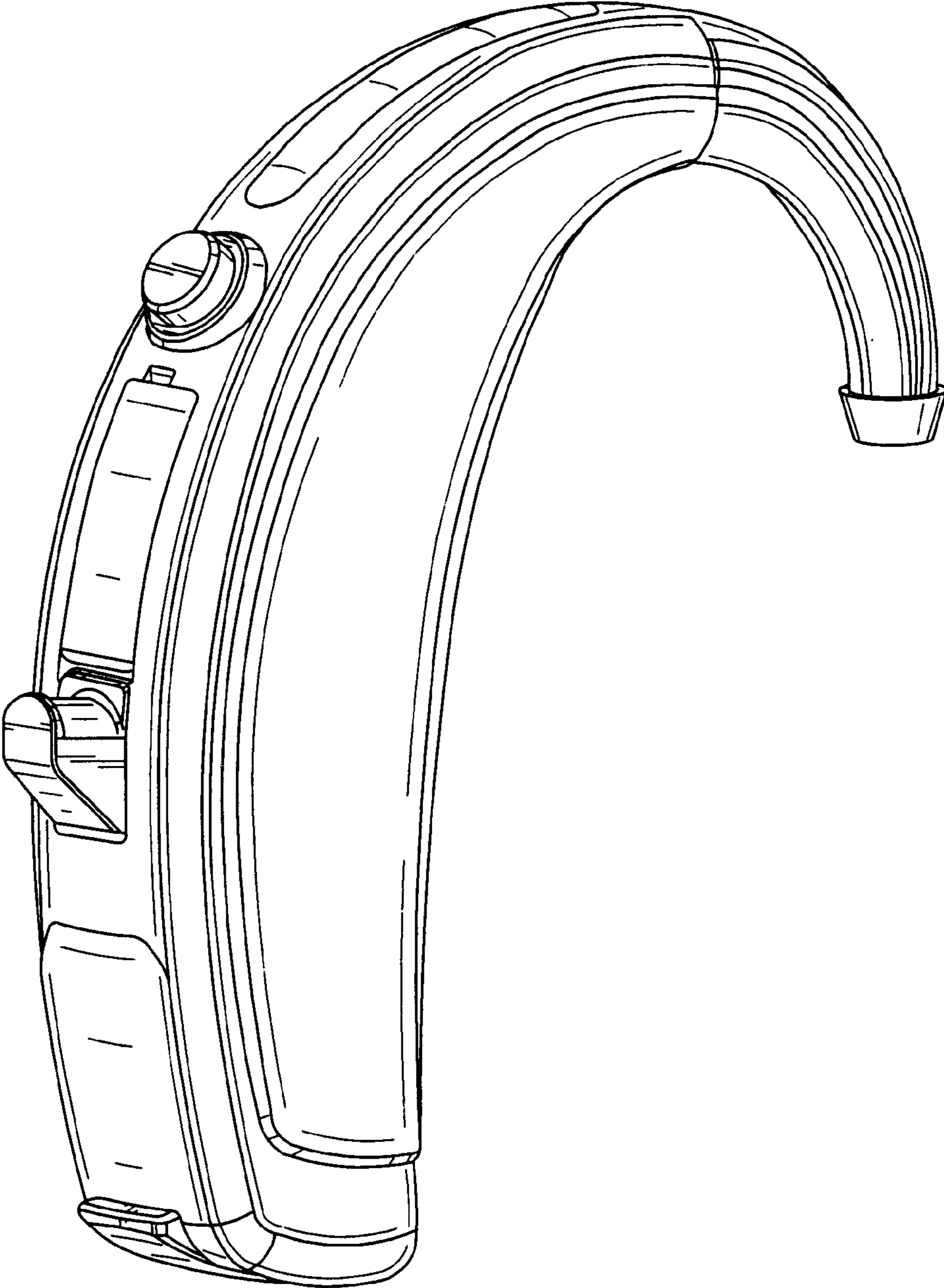
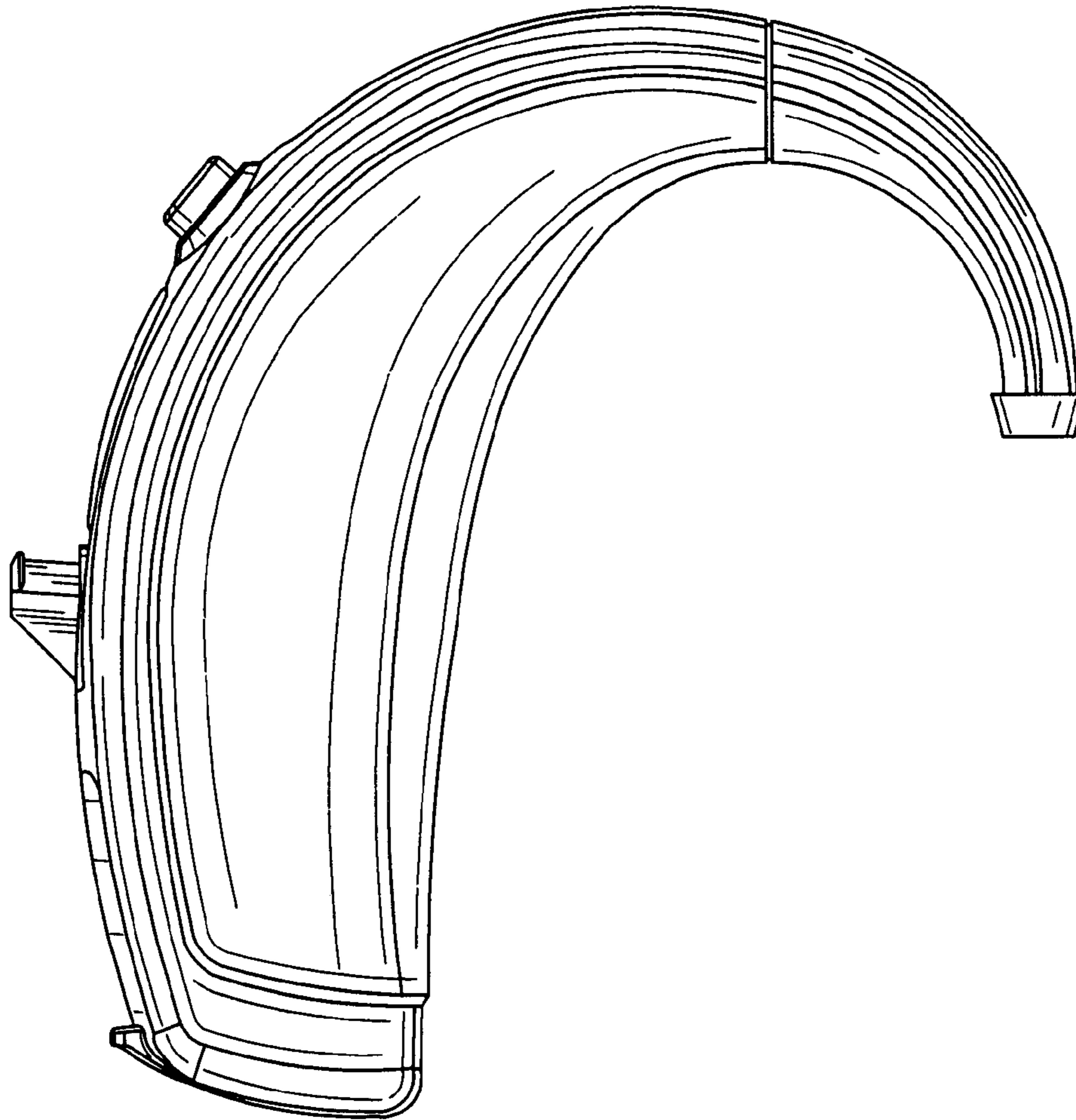


FIG. 1



**FIG. 2**

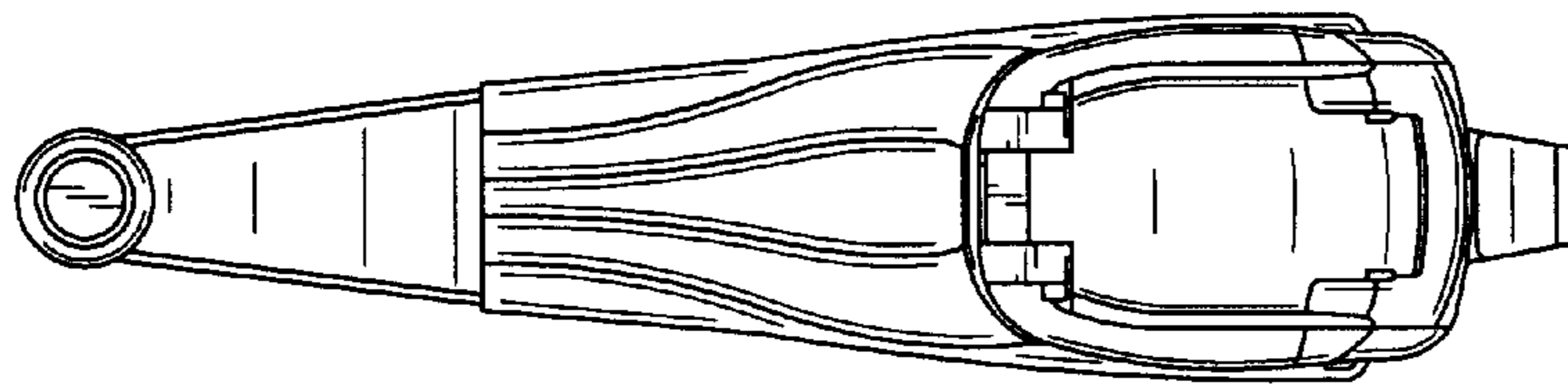


FIG. 3

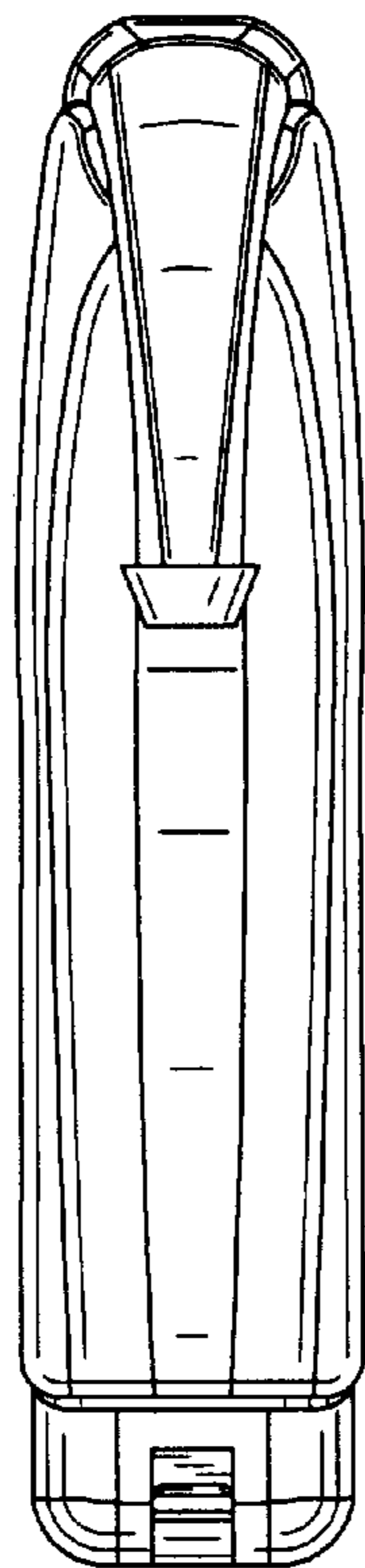


FIG. 4

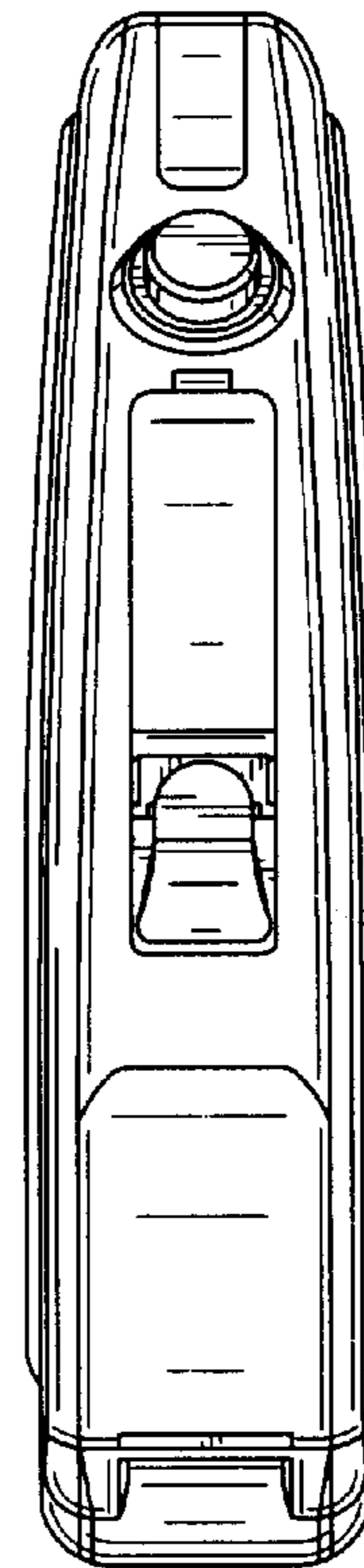


FIG. 5

UNITED STATES PATENT AND TRADEMARK OFFICE  
**CERTIFICATE OF CORRECTION**

PATENT NO. : Des. 516,216 S  
APPLICATION NO. : 29/201057  
DATED : February 28, 2006  
INVENTOR(S) : Paul Portmann

Page 1 of 1

It is certified that error appears in the above-identified patent and that said Letters Patent is hereby corrected as shown below:

On the Title page, insert item:

[73] Assignee: Phonak Holding AG  
Stafa, Switzerland

Signed and Sealed this

First Day of April, 2008

A handwritten signature in black ink that reads "Jon W. Dudas". The signature is written in a cursive style with a large, looped initial "J".

JON W. DUDAS  
*Director of the United States Patent and Trademark Office*