



US00D516213S

(12) **United States Design Patent** (10) **Patent No.:** **US D516,213 S**
Lipper et al. (45) **Date of Patent:** **** Feb. 28, 2006**

(54) **SENSORY TESTING DEVICE**

(76) Inventors: **Neil Lipper**, 3 Larkin Cir., West Orange, NJ (US) 07052; **Robyn Saltzman**, 12 The Rise, Woodbury, NY (US) 11797

(**) Term: **14 Years**

(21) Appl. No.: **29/198,474**

(22) Filed: **Jan. 30, 2004**

(51) **LOC (8) Cl.** **24-02**

(52) **U.S. Cl.** **D24/142**

(58) **Field of Classification Search** D24/142;
600/301, 552, 553, 557, 587

See application file for complete search history.

(56) **References Cited**

U.S. PATENT DOCUMENTS

4,503,705 A *	3/1985	Polchaninoff	600/587
5,997,484 A *	12/1999	Sugahara	600/587
D429,813 S *	8/2000	Coe	D24/142
6,113,551 A *	9/2000	Isaacs et al.	600/557

* cited by examiner

Primary Examiner—Antoine D. Davis

(74) *Attorney, Agent, or Firm*—Lerner, David, Littenberg, Krumholz & Mentlik, LLP

(57) **CLAIM**

The ornamental design for a sensory testing device, as shown and described.

DESCRIPTION

FIG. 1 is a perspective view of an embodiment of the sensory testing device showing our new design;

FIG. 2 is a front elevational view thereof;
 FIG. 3 is a rear elevational view thereof;
 FIG. 4 is a right side elevational view thereof, the left side elevational view being identical;
 FIG. 5 is a top plan view thereof, the bottom plan view being identical;
 FIG. 6 is a perspective view of another embodiment of a sensory testing device showing our new design;
 FIG. 7 is a front elevational view thereof;
 FIG. 8 is a rear elevational view thereof;
 FIG. 9 is a right side elevational view thereof, the left side elevational view being identical;
 FIG. 10 is a top plan view thereof, the bottom plan view being identical;
 FIG. 11 is a perspective view of yet another embodiment of a sensory testing device showing our new design;
 FIG. 12 is a front elevational view thereof;
 FIG. 13 is a rear elevational view thereof;
 FIG. 14 is a right side elevational view thereof, the left side elevational view being identical;
 FIG. 15 is a top plan view thereof, the bottom plan view being identical;
 FIG. 16 is a perspective view of a further embodiment of a sensory testing device showing our new design;
 FIG. 17 is a front elevational view thereof;
 FIG. 18 is a rear elevational view thereof;
 FIG. 19 is a right side elevational view thereof;
 FIG. 20 is a top plan view thereof, the bottom plan view being identical;
 FIG. 21 is a perspective view of a yet further embodiment of a sensory testing device showing our new design;
 FIG. 22 is a front elevational view thereof;
 FIG. 23 is a rear elevational view thereof;
 FIG. 24 is a right side elevational view thereof;
 FIG. 25 is a top plan view thereof; and,
 FIG. 26 is a bottom plan view thereof.

1 Claim, 3 Drawing Sheets

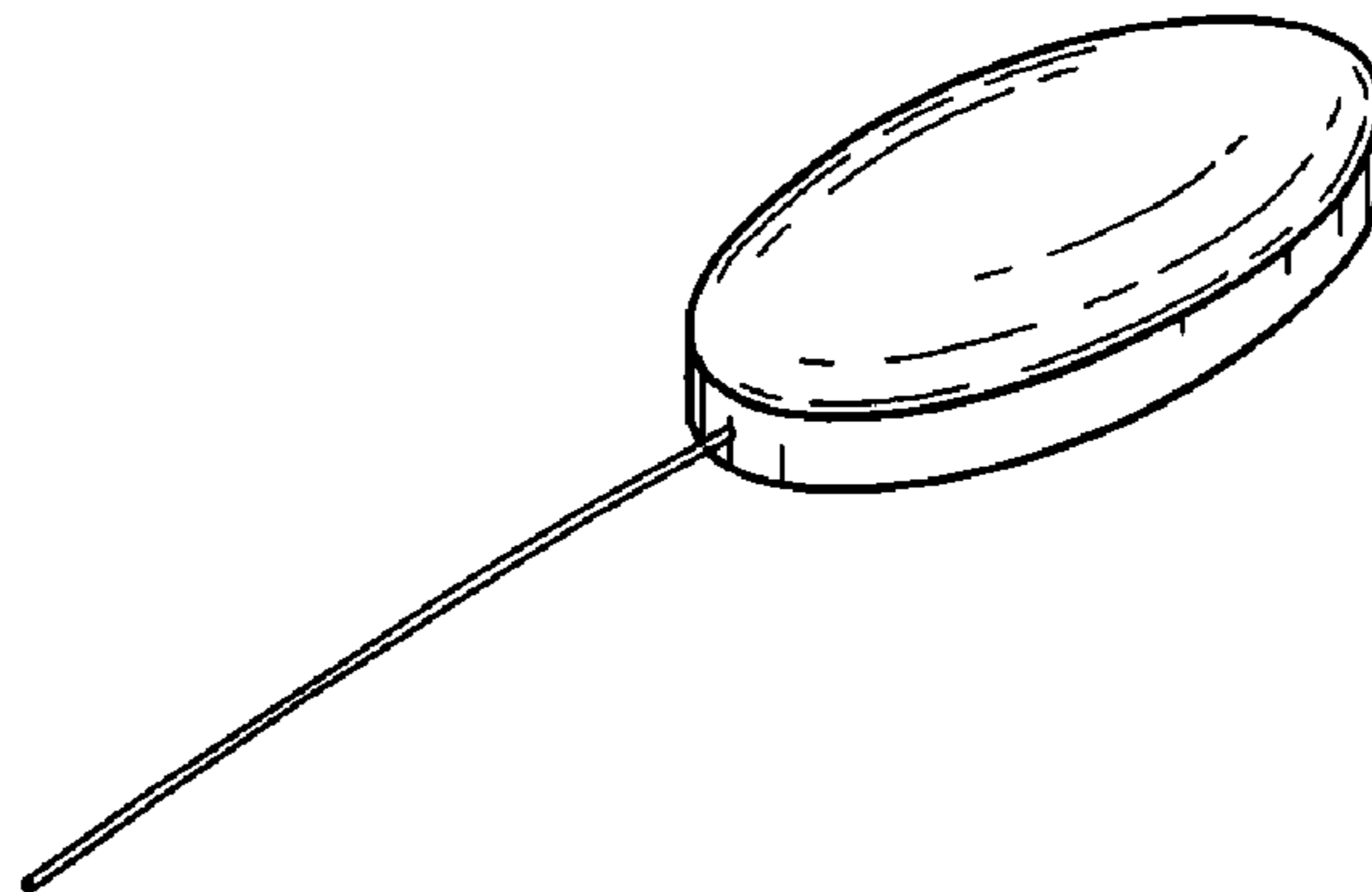


FIG. 1

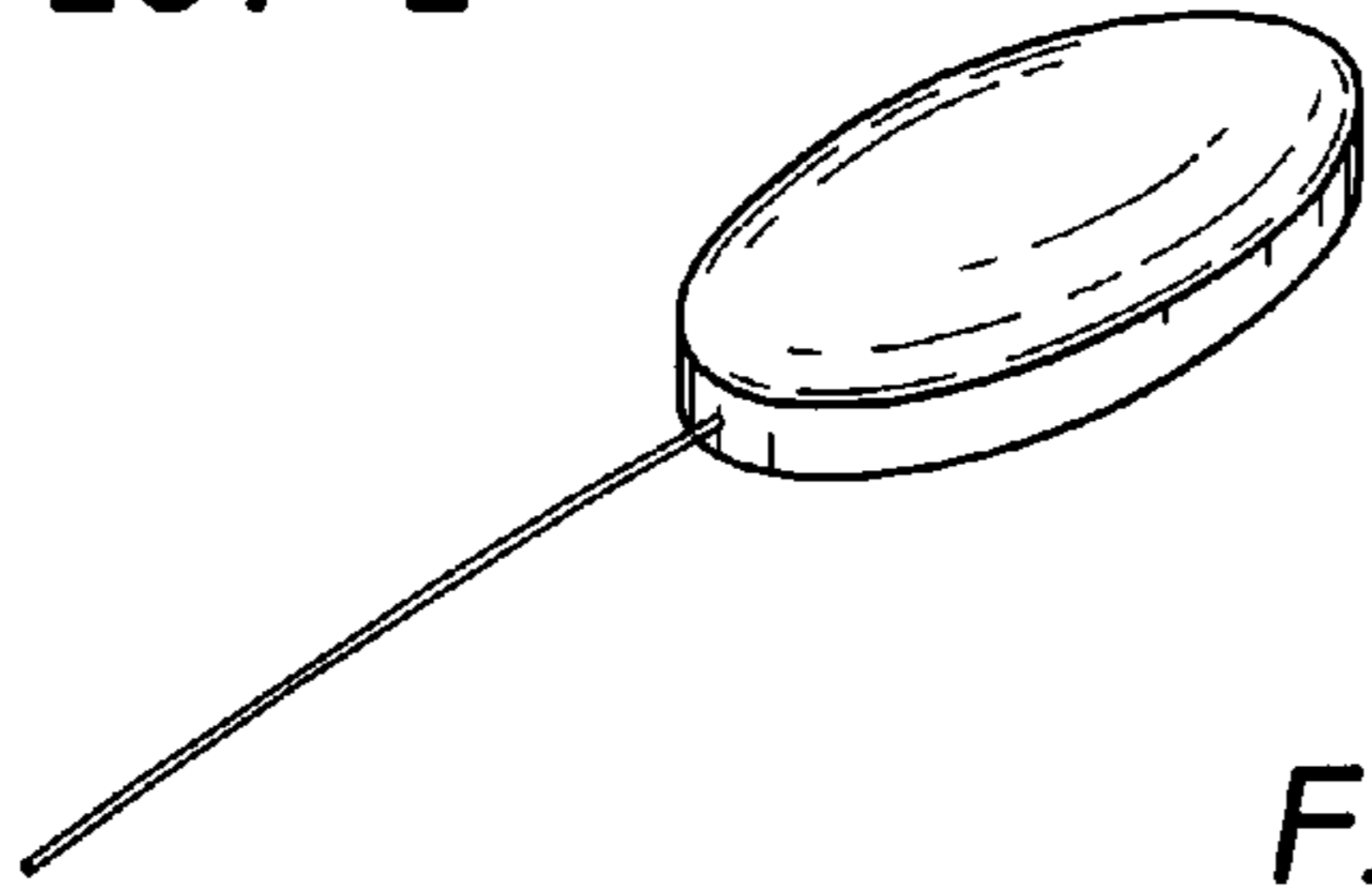


FIG. 2



FIG. 3



FIG. 4



FIG. 5

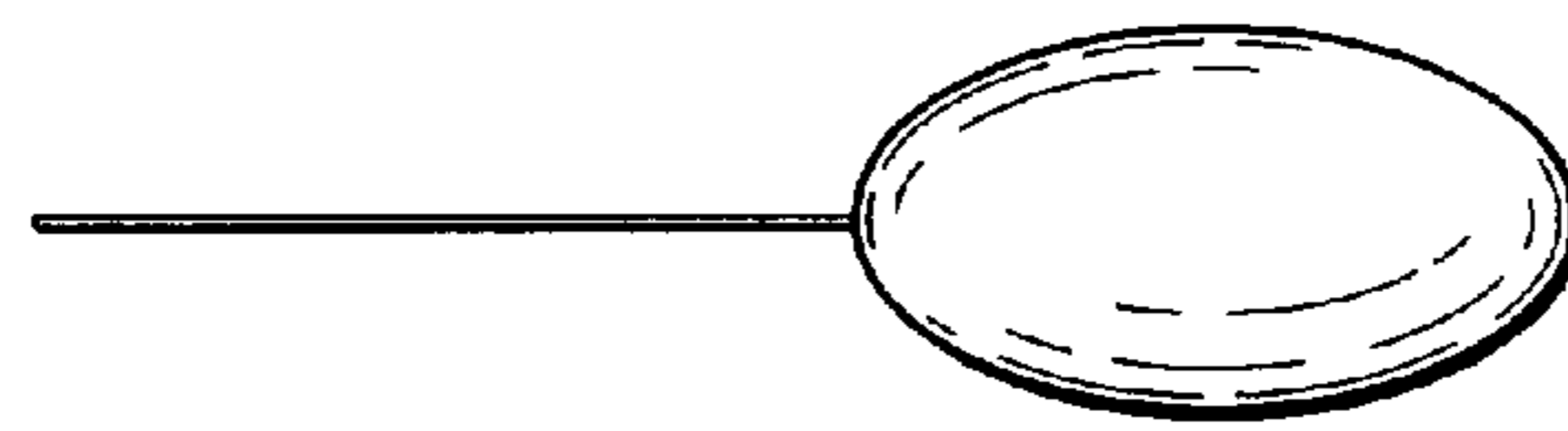


FIG. 6

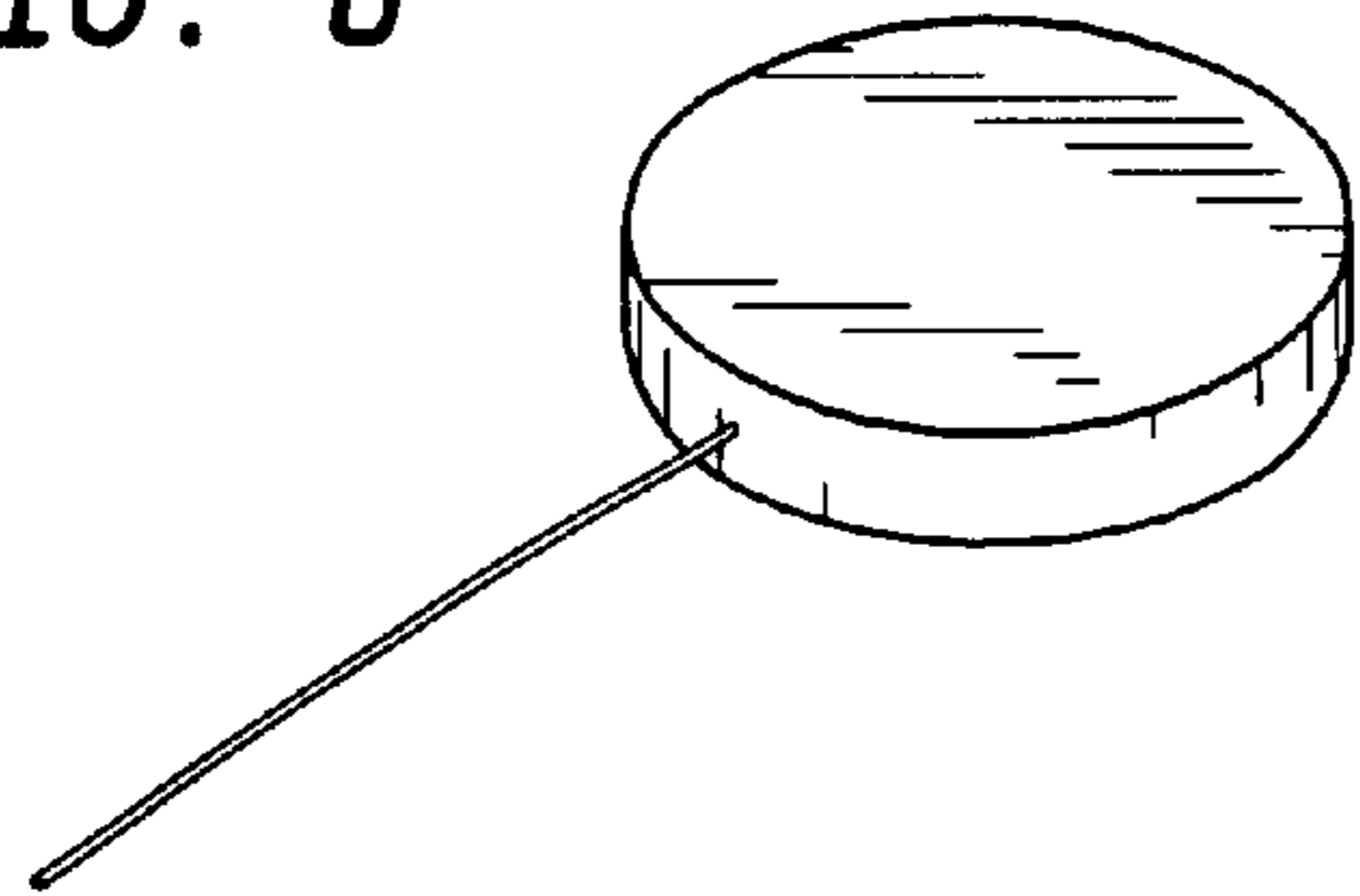


FIG. 7



FIG. 8

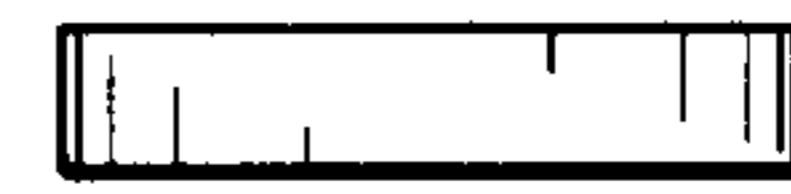


FIG. 9



FIG. 10

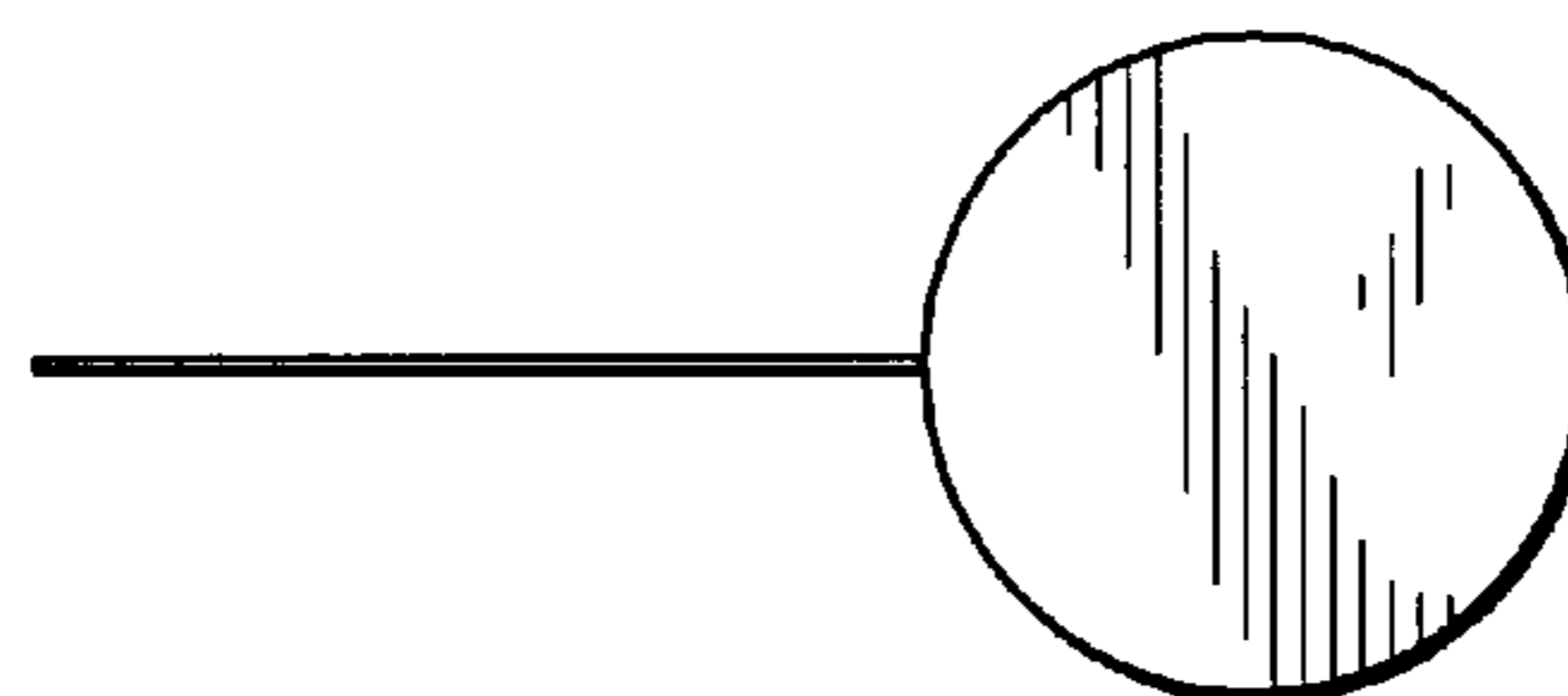


FIG. 11

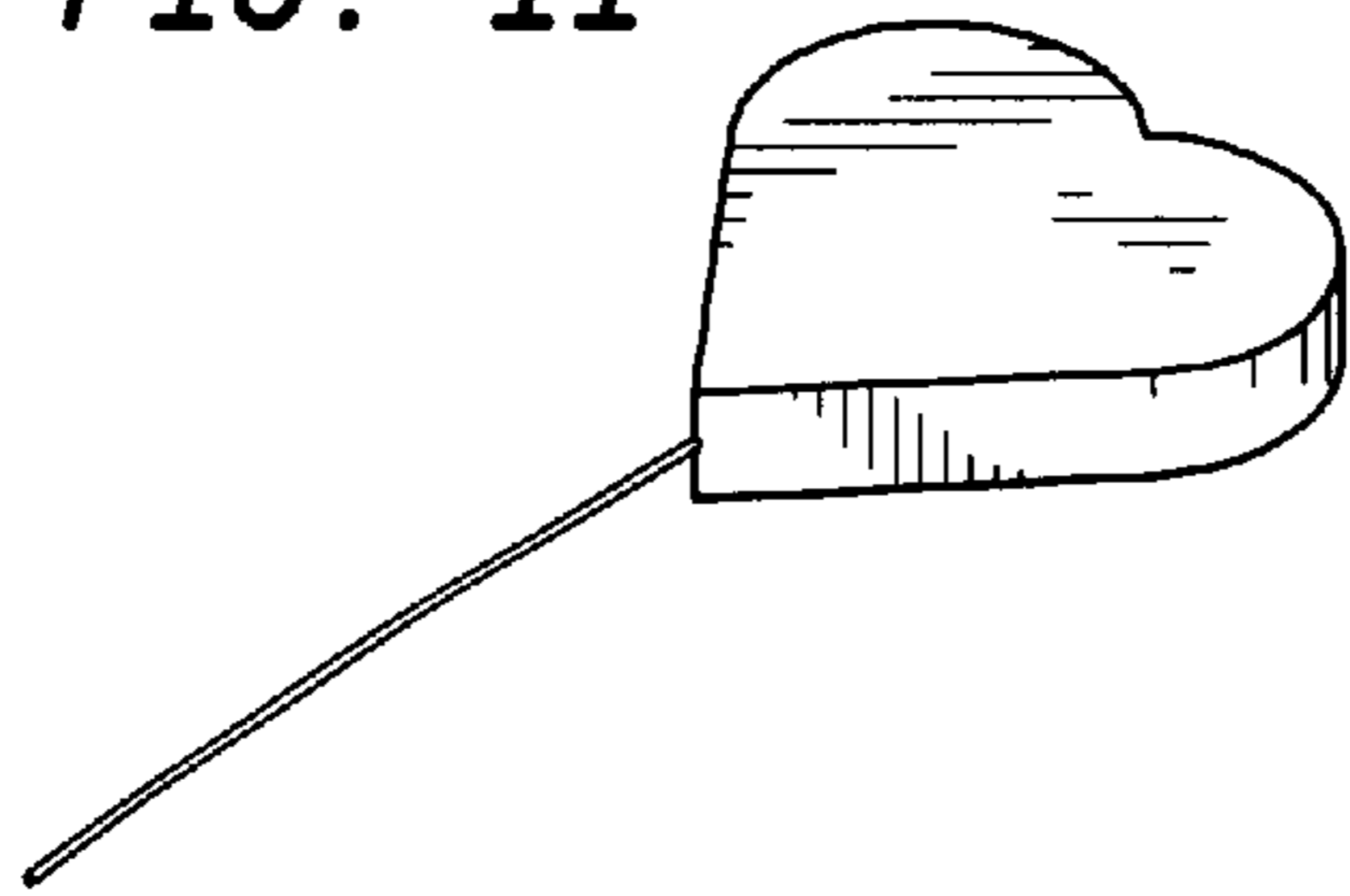


FIG. 12



FIG. 13



FIG. 14



FIG. 15

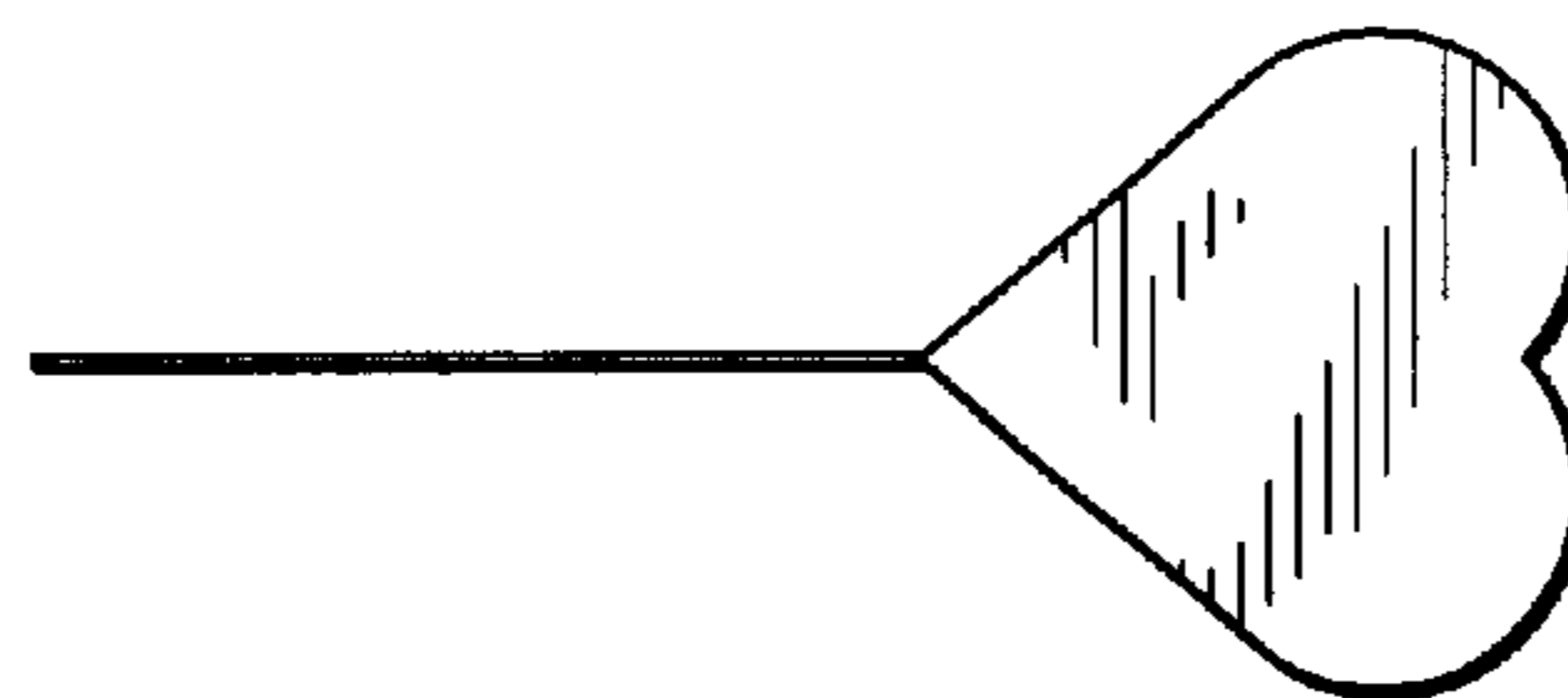


FIG. 16

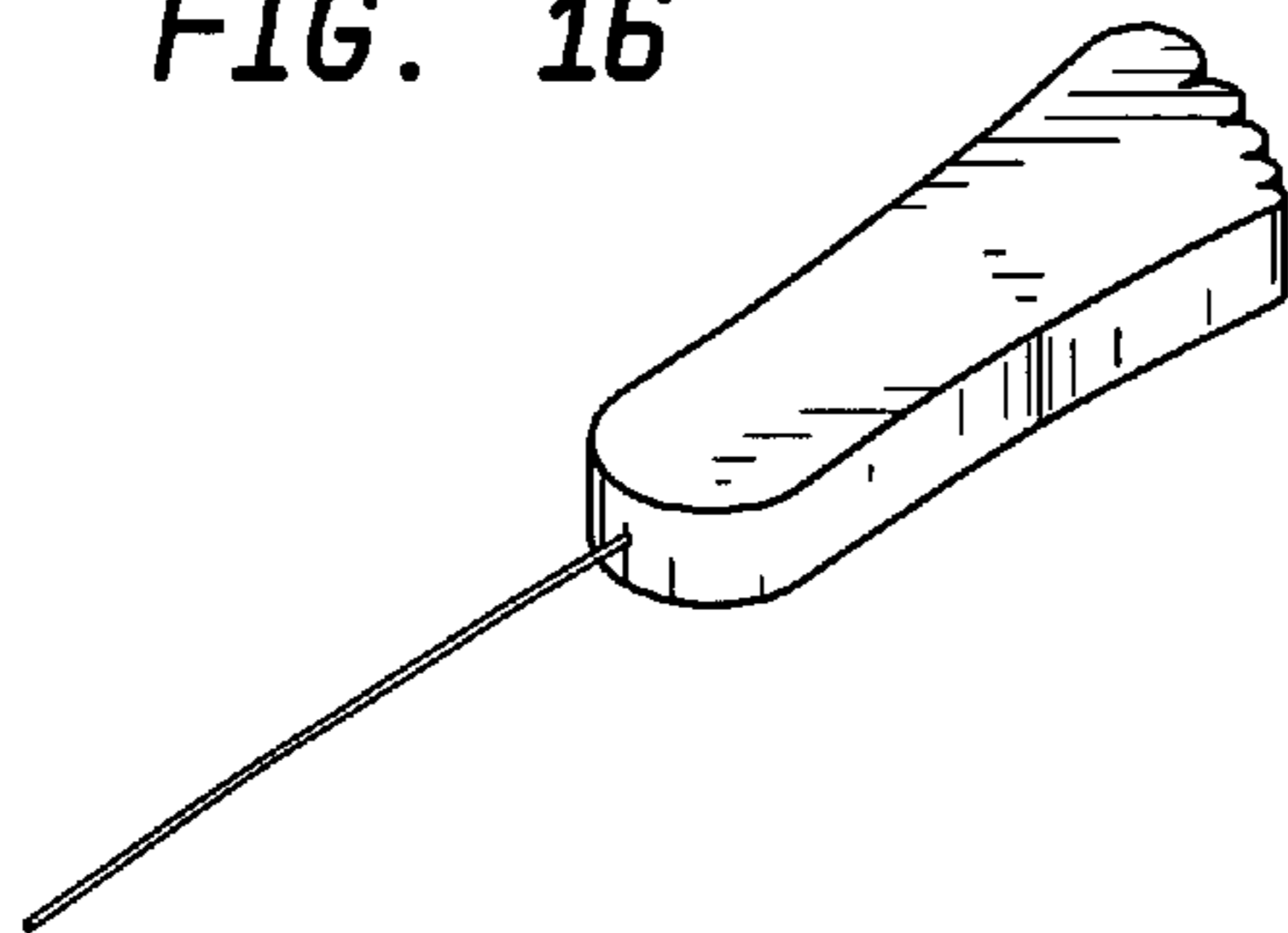


FIG. 17



FIG. 18



FIG. 19



FIG. 20

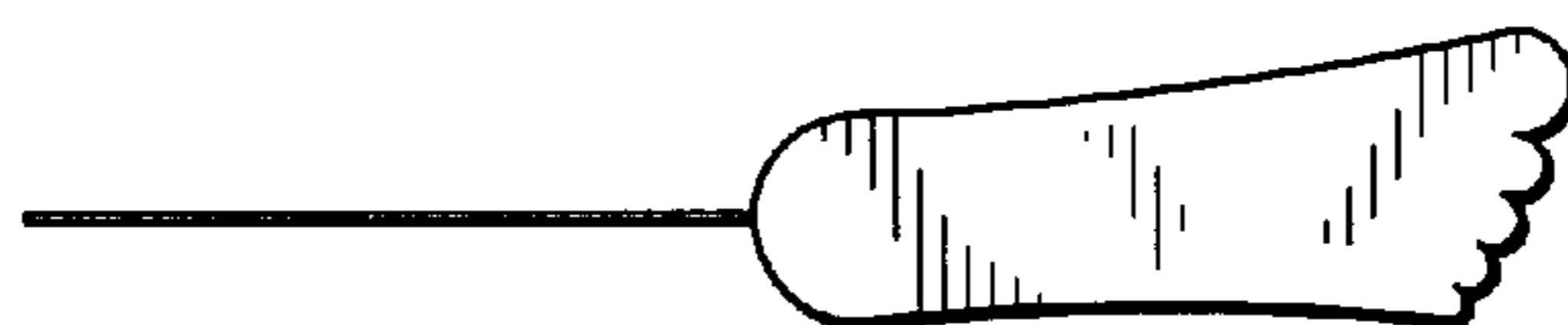


FIG. 21

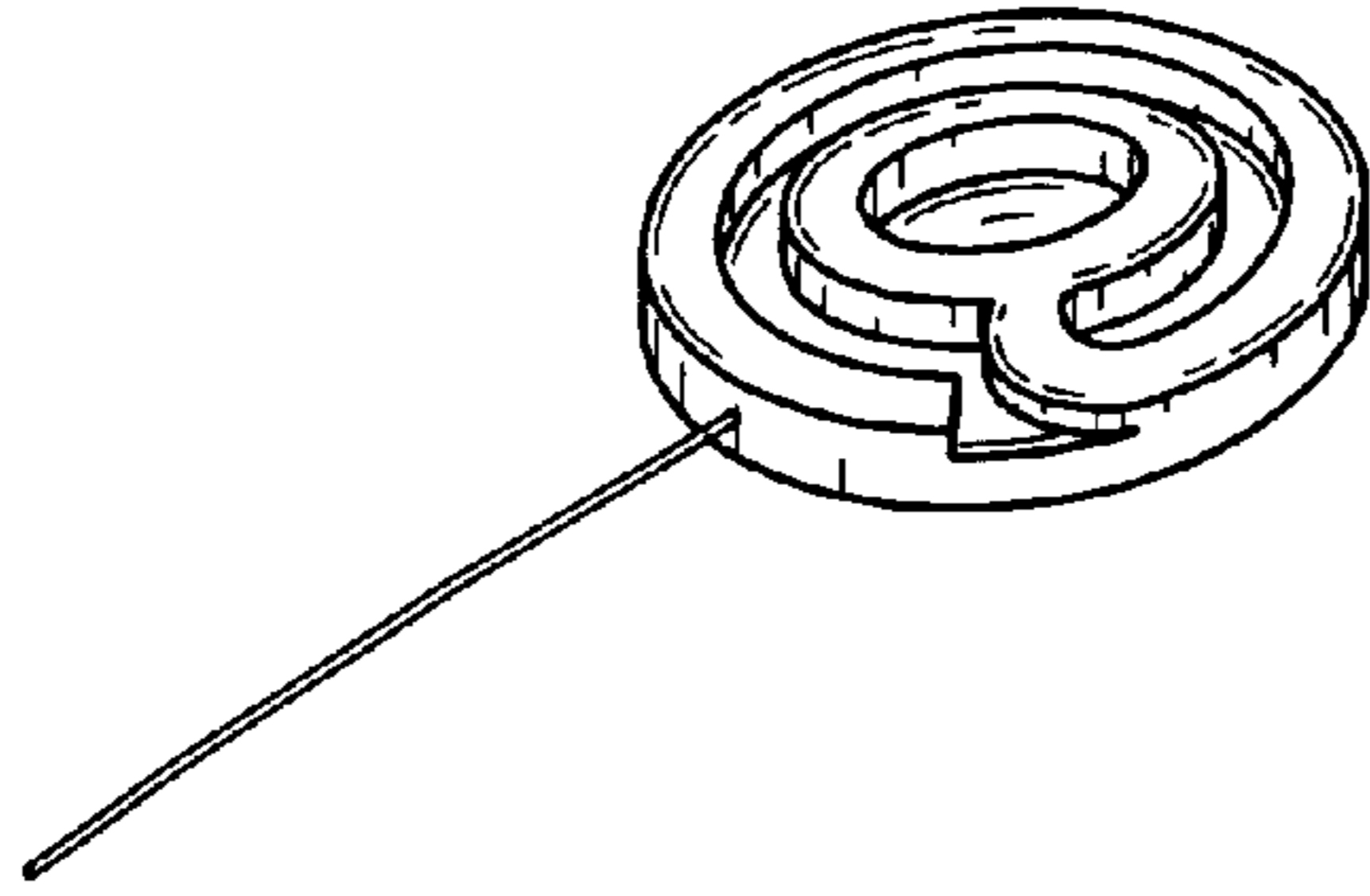


FIG. 22



FIG. 23

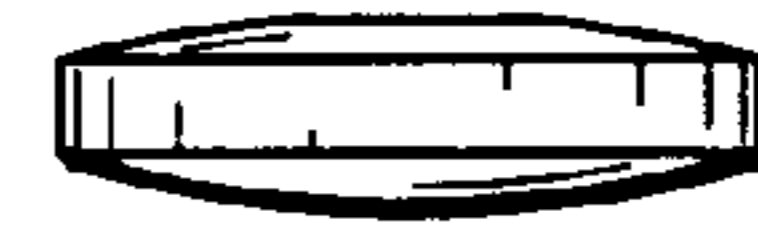


FIG. 24



FIG. 25

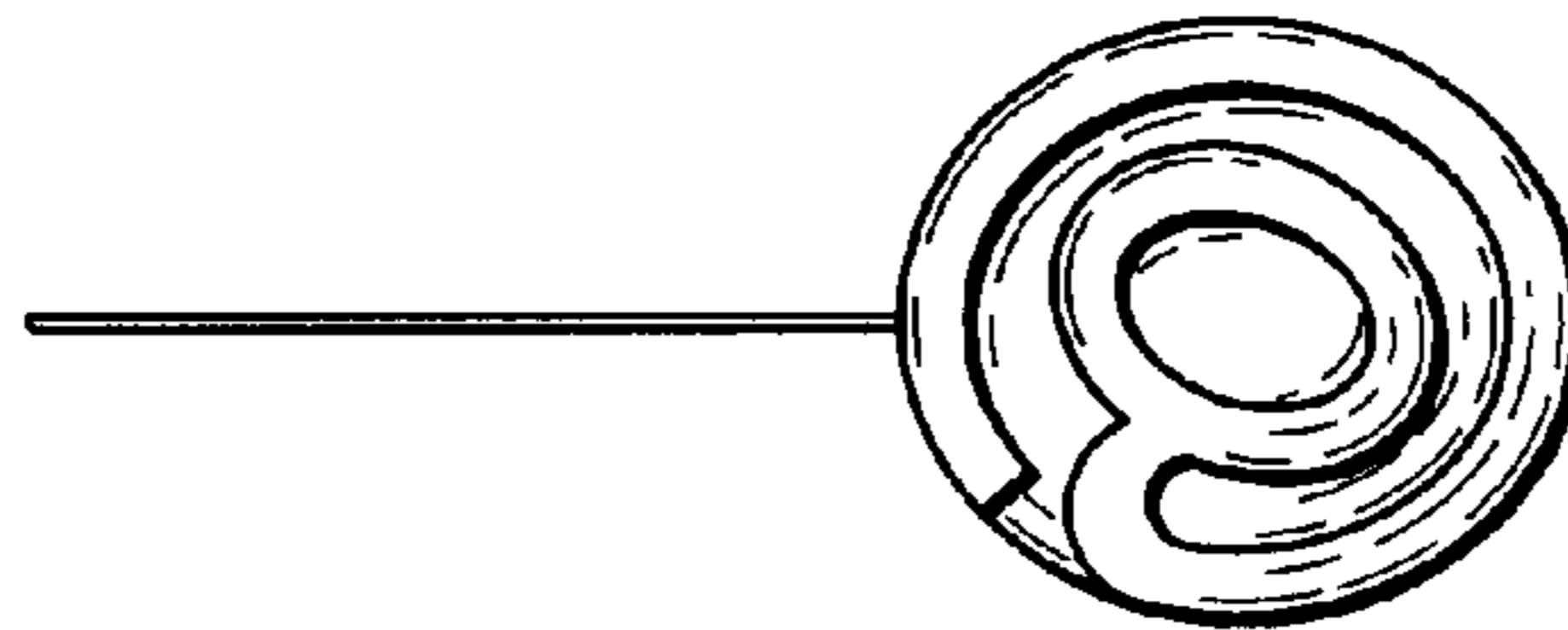


FIG. 26

