



US00D516212S

(12) **United States Design Patent**
Persson et al.

(10) **Patent No.: US D516,212 S**
(45) **Date of Patent: ** Feb. 28, 2006**

(54) **TRACHEOSTOMA PLASTER DEVICE**
(75) Inventors: **Jan-Ove Persson**, Hoor (SE); **Richard Falkenberg**, Horby (SE); **Anders Fransson**, Kristianstad (SE)

(73) Assignee: **Atos Medical AB**, Hörby (SE)

(**) Term: **14 Years**

(21) Appl. No.: **29/181,472**

(22) Filed: **May 13, 2003**

(51) **LOC (8) Cl.** **24-02**

(52) **U.S. Cl.** **D24/128**

(58) **Field of Classification Search** D24/129,
D24/128, 110, 108, 127; 128/207.14, 207.16,
128/DIG. 26, 200.26, 207.17; 604/337, 338,
604/334, 339, 343, 332, 333

See application file for complete search history.

(56) **References Cited**

U.S. PATENT DOCUMENTS

3,283,757	A	*	11/1966	Nelson	604/334
D257,063	S	*	9/1980	Galindo	D24/127
4,834,731	A	*	5/1989	Nowak et al.	604/339
D345,418	S	*	3/1994	Fenton	D24/129

5,730,735	A	*	3/1998	Holmberg et al.	604/338
5,848,590	A	*	12/1998	Smith	128/207.16
6,668,831	B1	*	12/2003	Hegwood	128/207.14
6,772,758	B2	*	8/2004	Lambert	128/204.17
6,790,200	B2	*	9/2004	Fenton	604/338
2002/0092526	A1	*	7/2002	Bertoch et al.	128/207.17
2004/0106908	A1	*	6/2004	Leise et al.	604/332

* cited by examiner

Primary Examiner—Ian Simmons

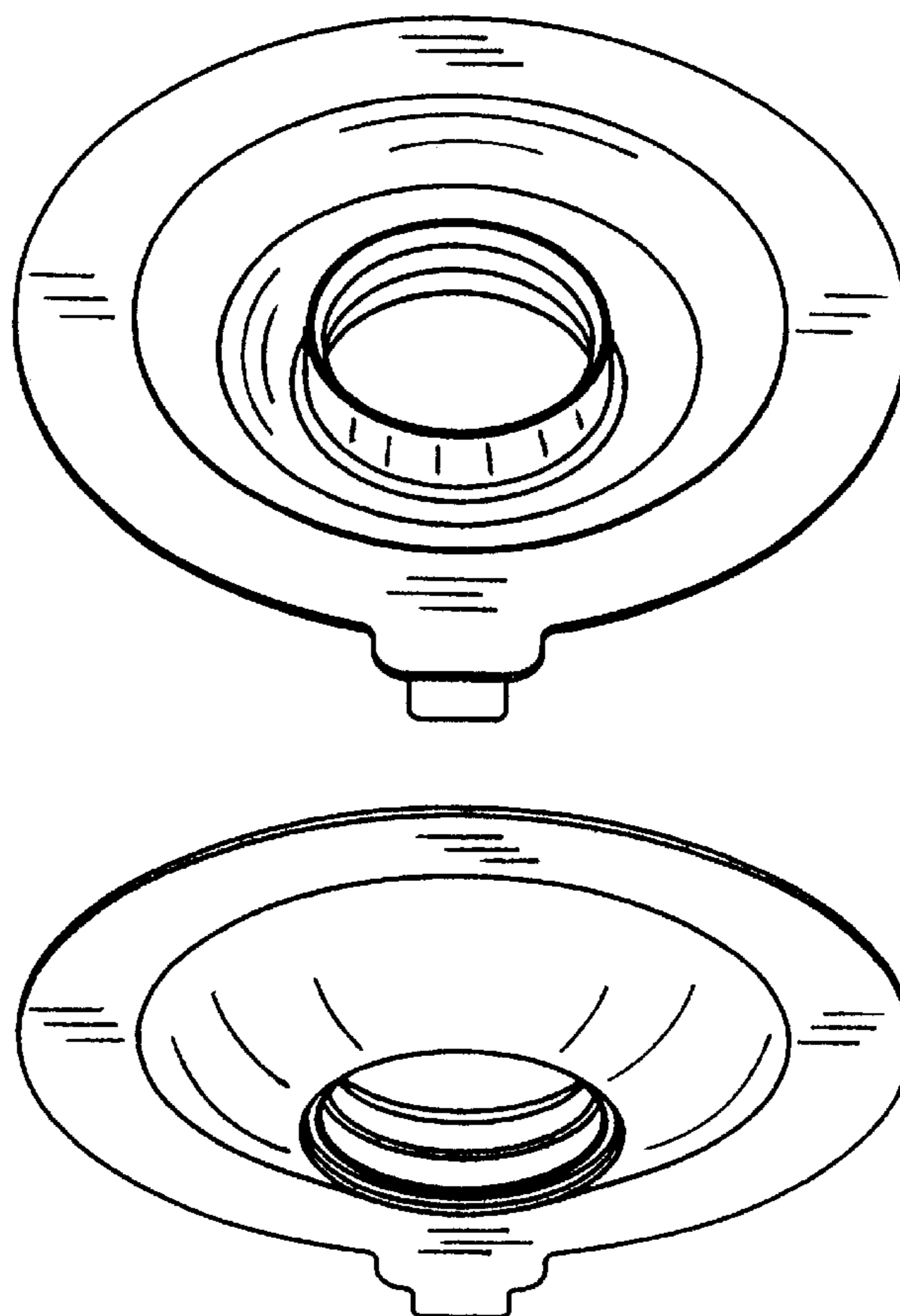
(57) **CLAIM**

The ornamental design for a tracheostoma plaster device, as shown.

DESCRIPTION

FIG. 1 is a plan view of the tracheostoma plaster as seen from the distal side;
FIG. 2 is a perspective view of the tracheostoma plaster as seen from the distal side;
FIG. 3 is a perspective view of the tracheostoma plaster as seen from the proximal side;
FIG. 4 is a side view of the tracheostoma plaster as seen from the bottom side of FIG. 1; and,
FIG. 5 is a side view of the tracheostoma plaster as seen from the left side of FIG. 1.

1 Claim, 2 Drawing Sheets



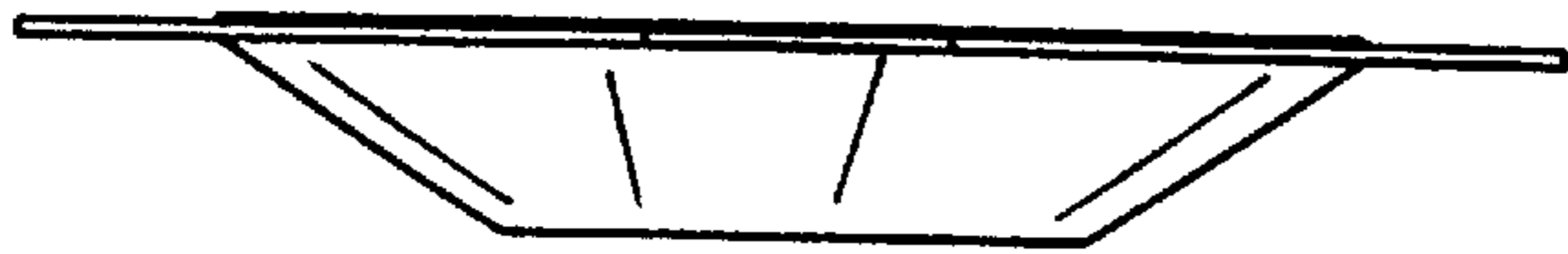


Fig. 4

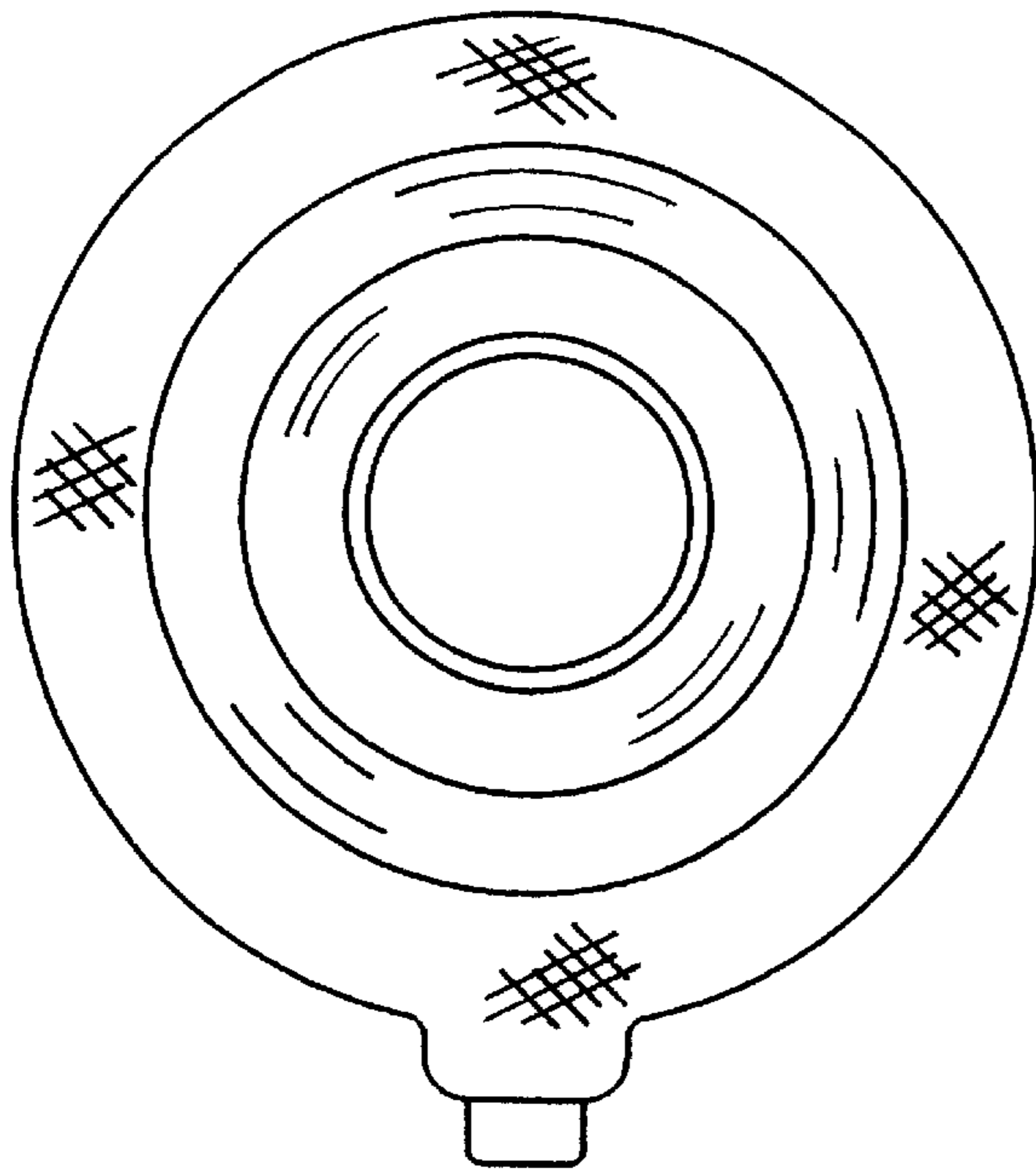


Fig. 1



Fig. 5

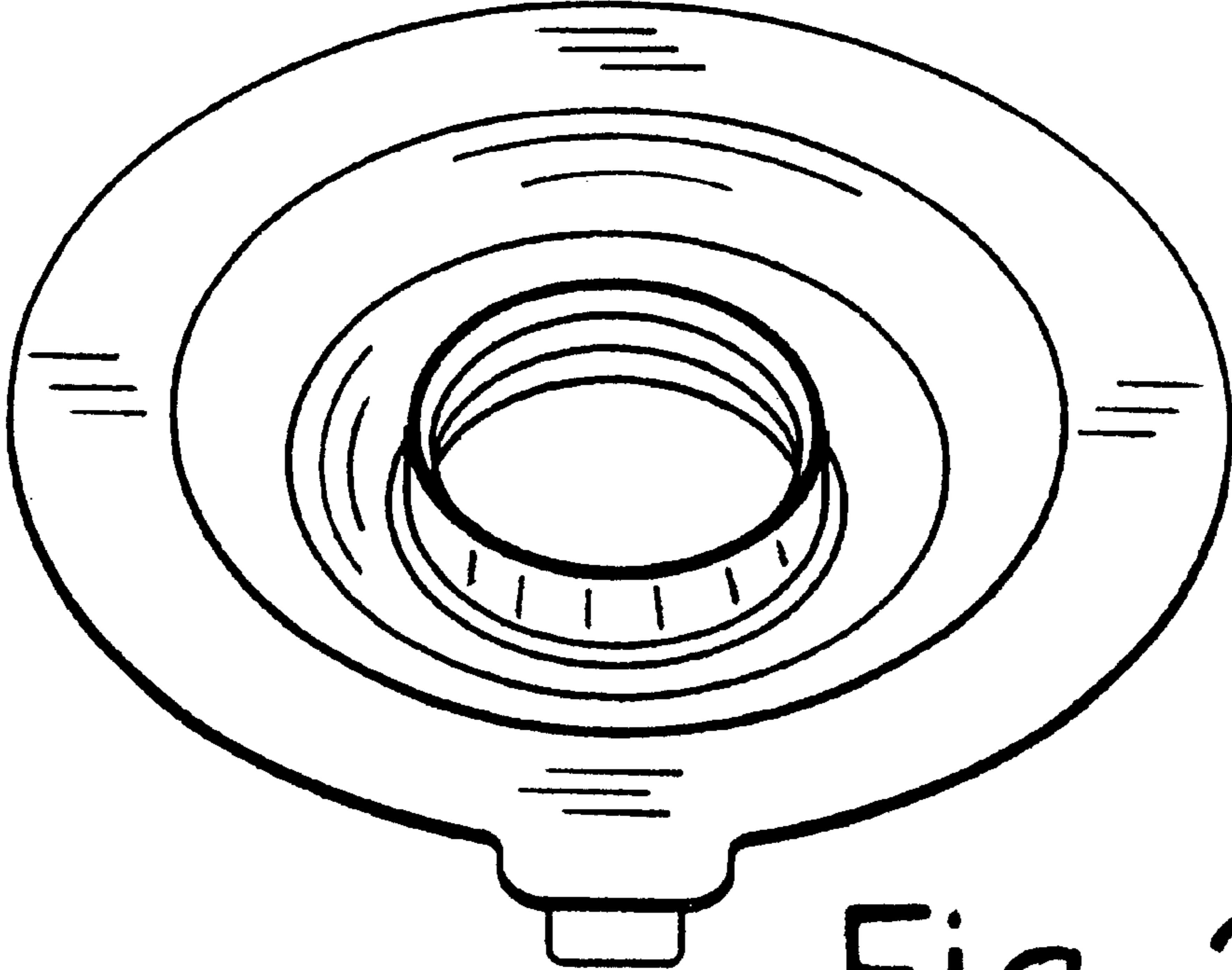


Fig. 2

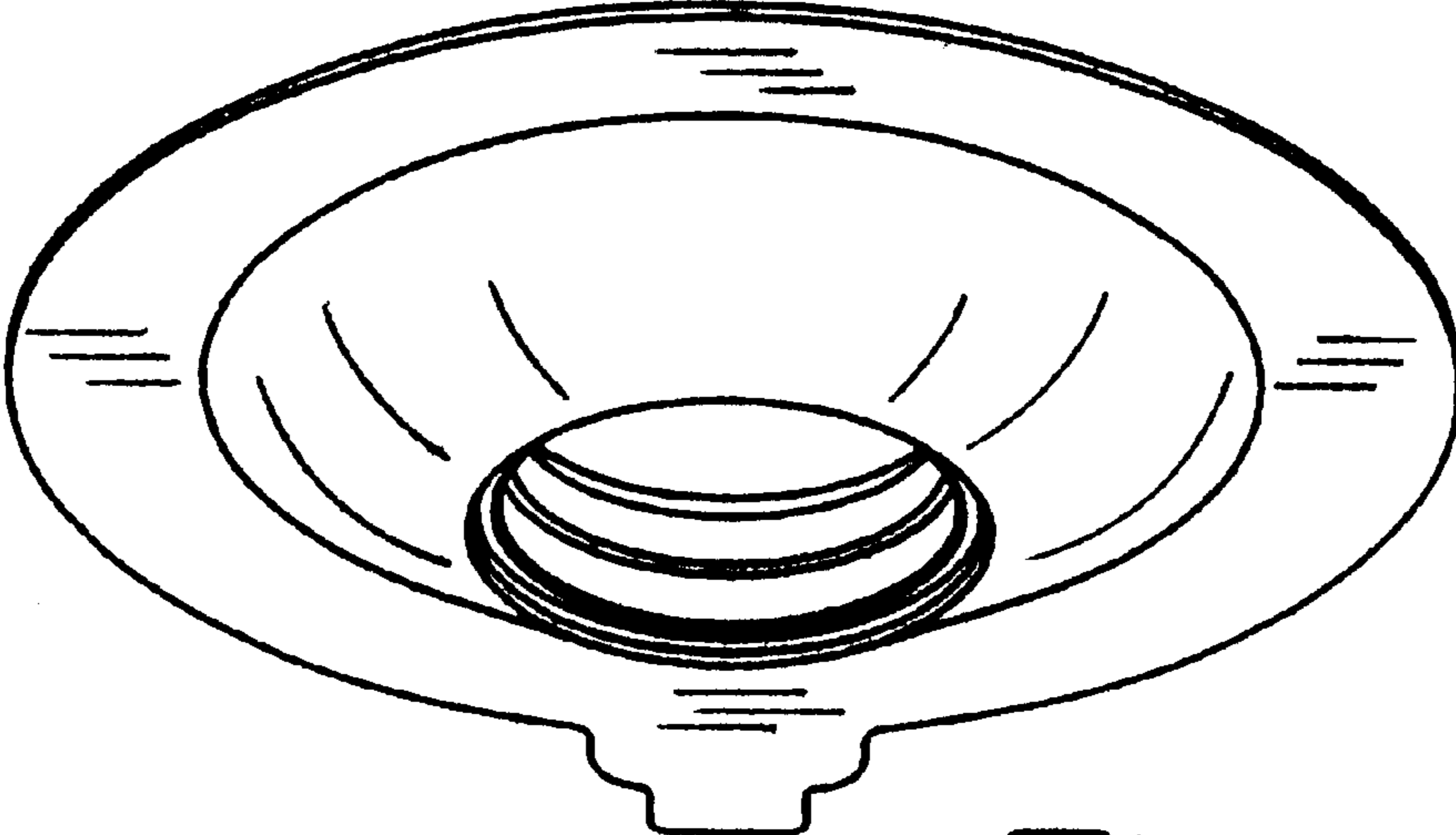


Fig. 3