



US00D516211S

(12) **United States Design Patent**  
**Minshull et al.**

(10) **Patent No.: US D516,211 S**

(45) **Date of Patent: \*\* Feb. 28, 2006**

(54) **INHALER**

**FOREIGN PATENT DOCUMENTS**

(75) Inventors: **Stephen J. Minshull**, Crewe (GB);  
**Martin Miller**, London (GB); **Duncan**  
**G. Young**, London (GB)

WO WO 93/21980 11/1993  
WO WO 99/49920 10/1999

\* cited by examiner

(73) Assignee: **Aventis Pharma Limited**, West  
Malling (GB)

*Primary Examiner*—Ian Simmons

(74) *Attorney, Agent, or Firm*—Synnestvedt & Lechner  
LLP

(\*\*) Term: **14 Years**

(57) **CLAIM**

(21) Appl. No.: **29/228,422**

We claim the ornamental design for an inhaler, as shown and  
described.

(22) Filed: **Apr. 22, 2005**

**DESCRIPTION**

**Related U.S. Application Data**

(62) Division of application No. 29/177,849, filed on Mar. 17,  
2003.

(30) **Foreign Application Priority Data**

Sep. 21, 2002 (GB) ..... 3007255

(51) **LOC (8) Cl.** ..... **29-02**

(52) **U.S. Cl.** ..... **D24/110**

(58) **Field of Classification Search** ..... D24/110;  
128/203.15, 200.23, 200.12, 200.14, 203.21,  
128/205.15, 205.23, 205.21  
See application file for complete search history.

(56) **References Cited**

**U.S. PATENT DOCUMENTS**

4,668,218 A	5/1987	Virtanen	604/58
D348,100 S	6/1994	Clarke	D24/110
D348,928 S	7/1994	Ashley et al.	D24/110
5,505,195 A	4/1996	Wolf et al.	128/203.15
5,678,538 A	10/1997	Drought	128/203.15
5,740,792 A	4/1998	Ashley et al.	128/203.15
D397,435 S	8/1998	Naumann	D24/110
D417,732 S	12/1999	Dagsland et al.	D24/110
6,076,521 A	6/2000	Lindahl et al.	128/203.15
D447,230 S	8/2001	Matsugi et al.	D24/110
D469,527 S	1/2003	Keller et al.	D24/110
D493,220 S	7/2004	Burge et al.	D24/110
6,766,799 B1 *	7/2004	Edwards et al.	128/203.15
2004/0025875 A1 *	2/2004	Reber et al.	128/203.15
2004/0211420 A1 *	10/2004	Minshull et al.	128/203.15

FIG. 1 is a perspective view of an embodiment of our design  
for an inhaler;

FIG. 2 is a front elevational view of the inhaler shown in  
FIG. 1;

FIG. 3 is a left side elevational view of the inhaler shown in  
FIG. 1;

FIG. 4 is a right side elevational view of the inhaler shown  
in FIG. 1;

FIG. 5 is a back elevational view of the inhaler shown in  
FIG. 1;

FIG. 6 is a top plan view of the inhaler shown in FIG. 1;

FIG. 7 is a bottom plan view of the inhaler shown in FIG.  
1;

FIG. 8 is a perspective view thereof, with the cap removed;

FIG. 9 is a front elevational view of the inhaler shown in  
FIG. 8;

FIG. 10 is a left side elevational view of the inhaler shown  
in FIG. 8;

FIG. 11 is a right side elevational view of the inhaler shown  
in FIG. 8;

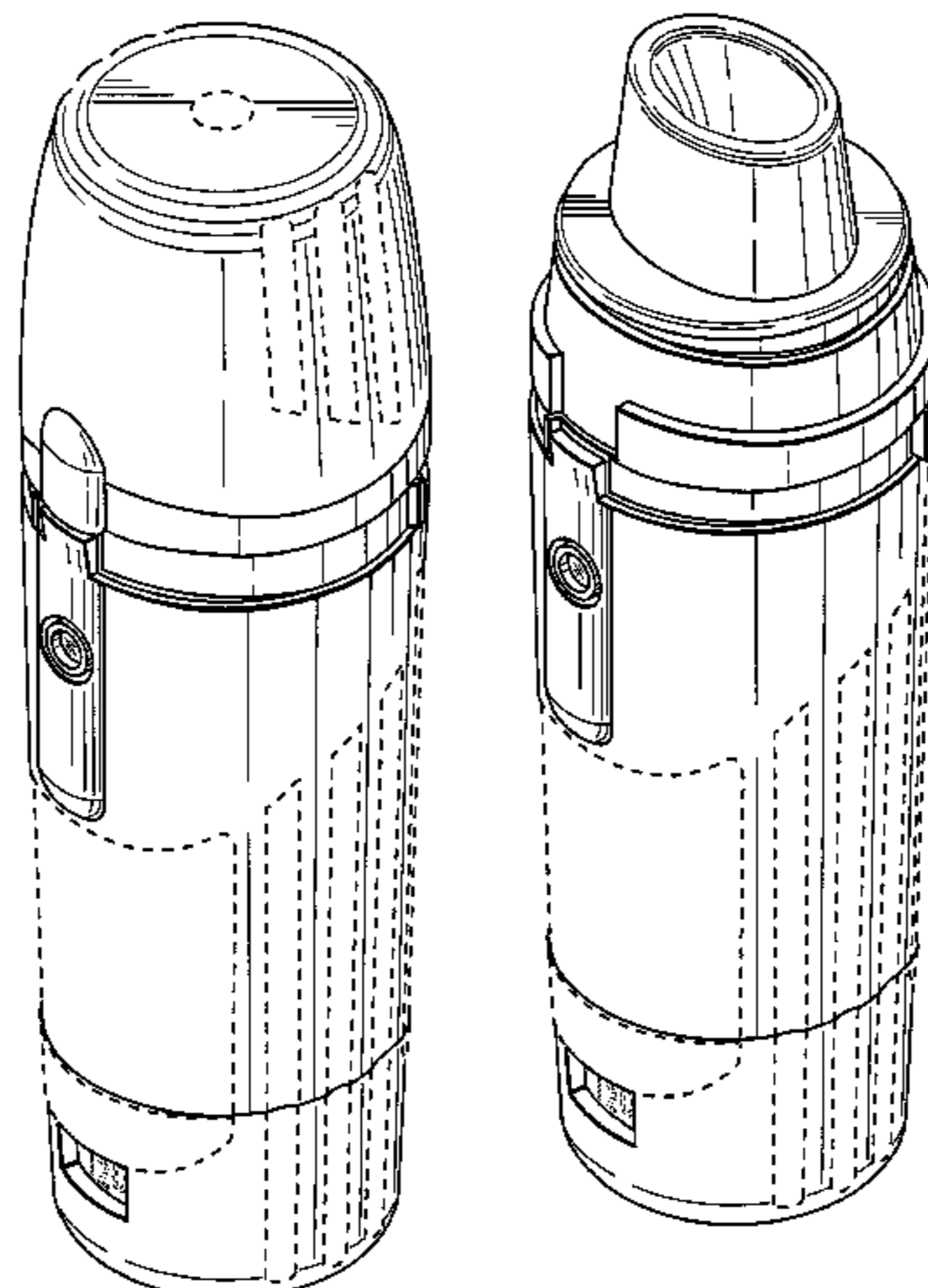
FIG. 12 is a back elevational view of the inhaler shown in  
FIG. 8;

FIG. 13 is a top plan view of the inhaler shown in FIG. 8;  
and,

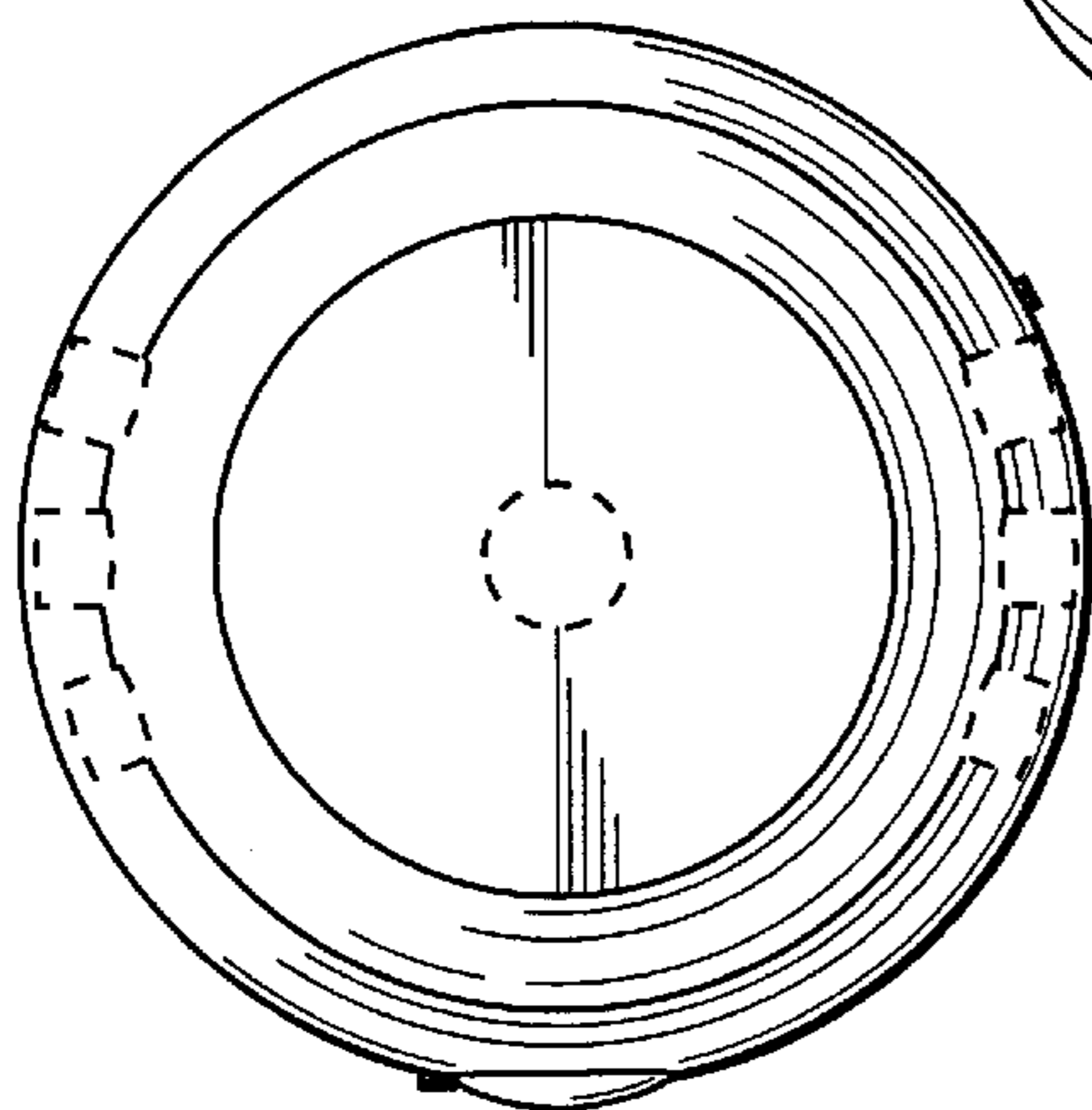
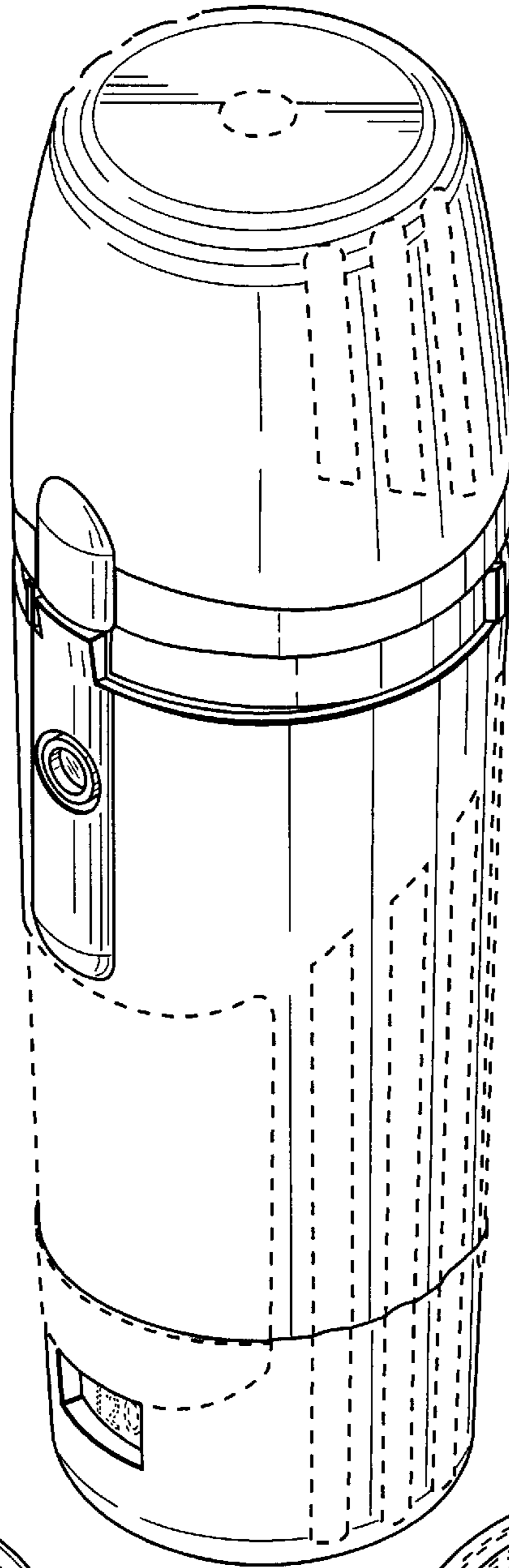
FIG. 14 is a bottom plan view of the inhaler shown in FIG.  
8.

The broken lines are shown for illustrative purposes only  
and form no part of the claimed design.

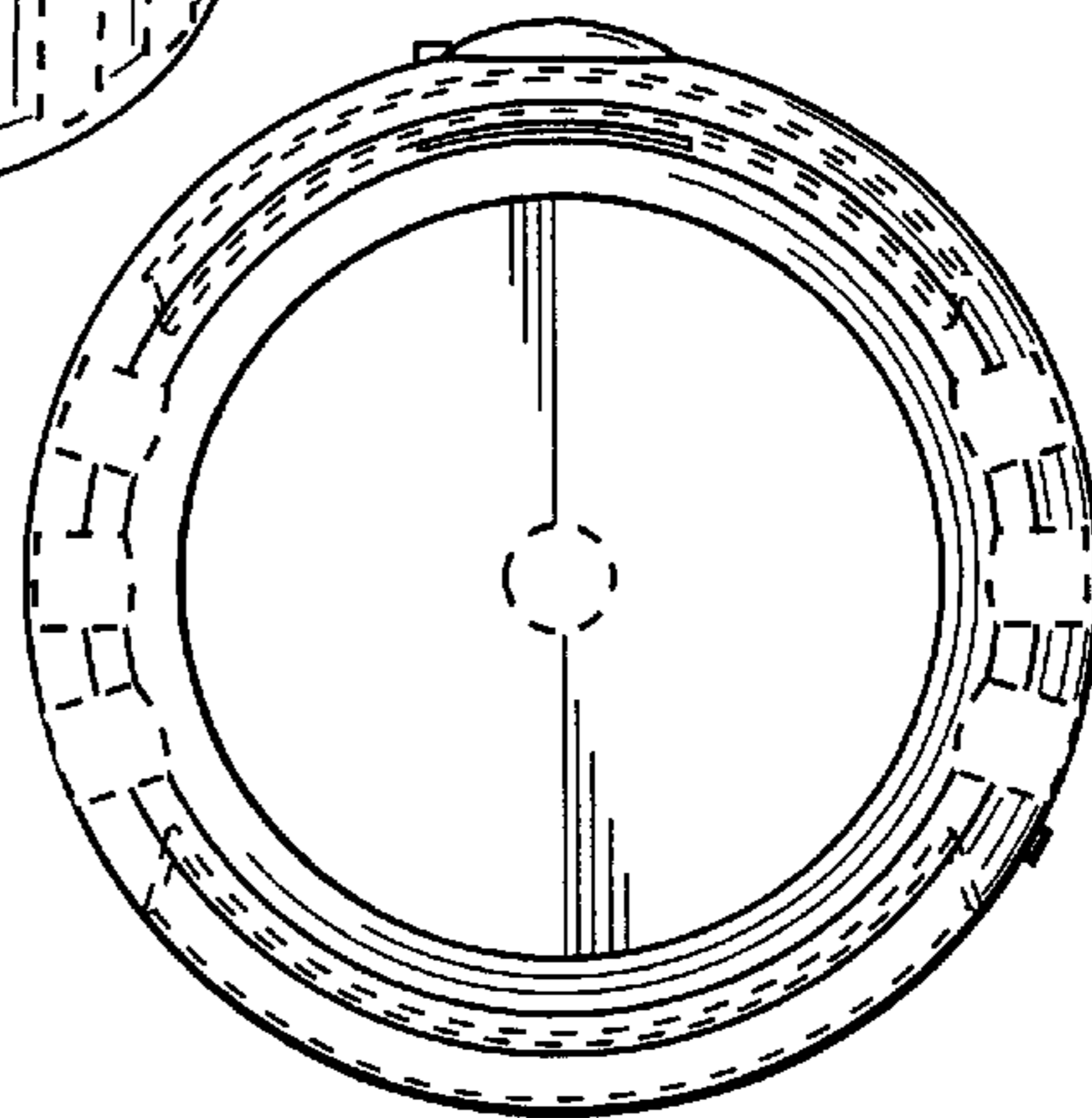
**1 Claim, 6 Drawing Sheets**



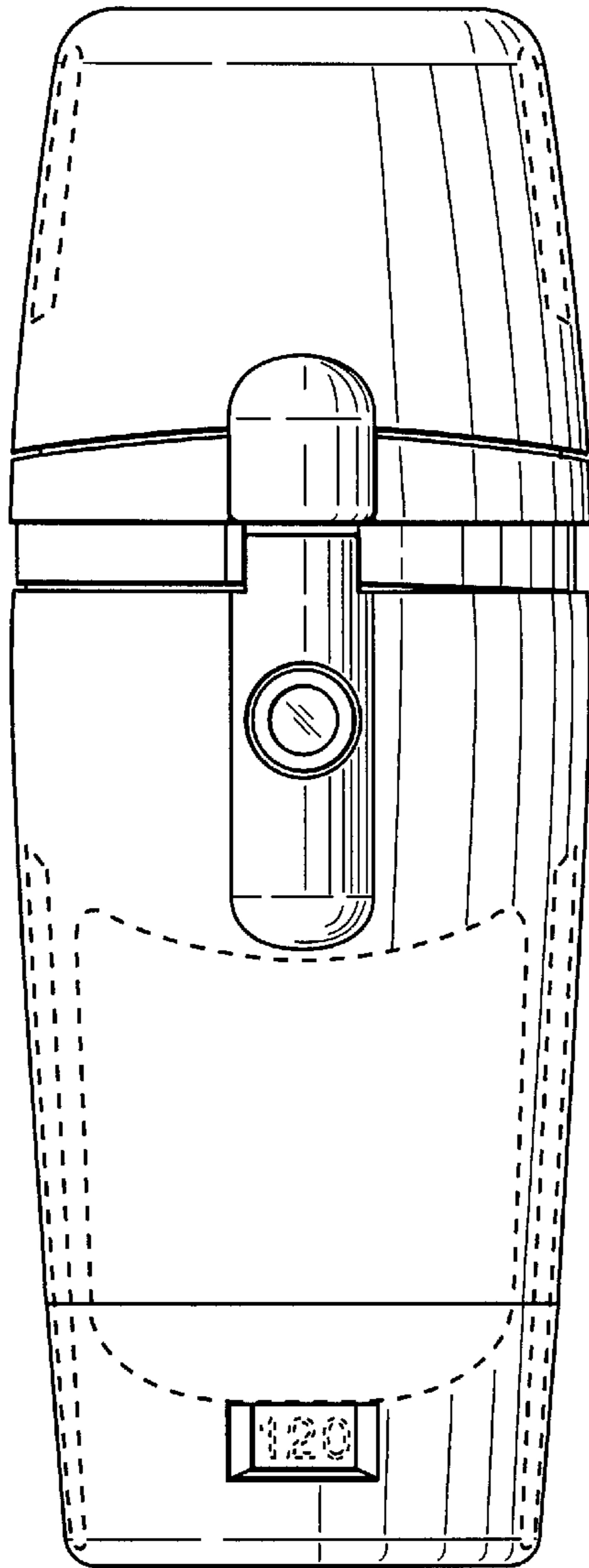
**FIG. 1**



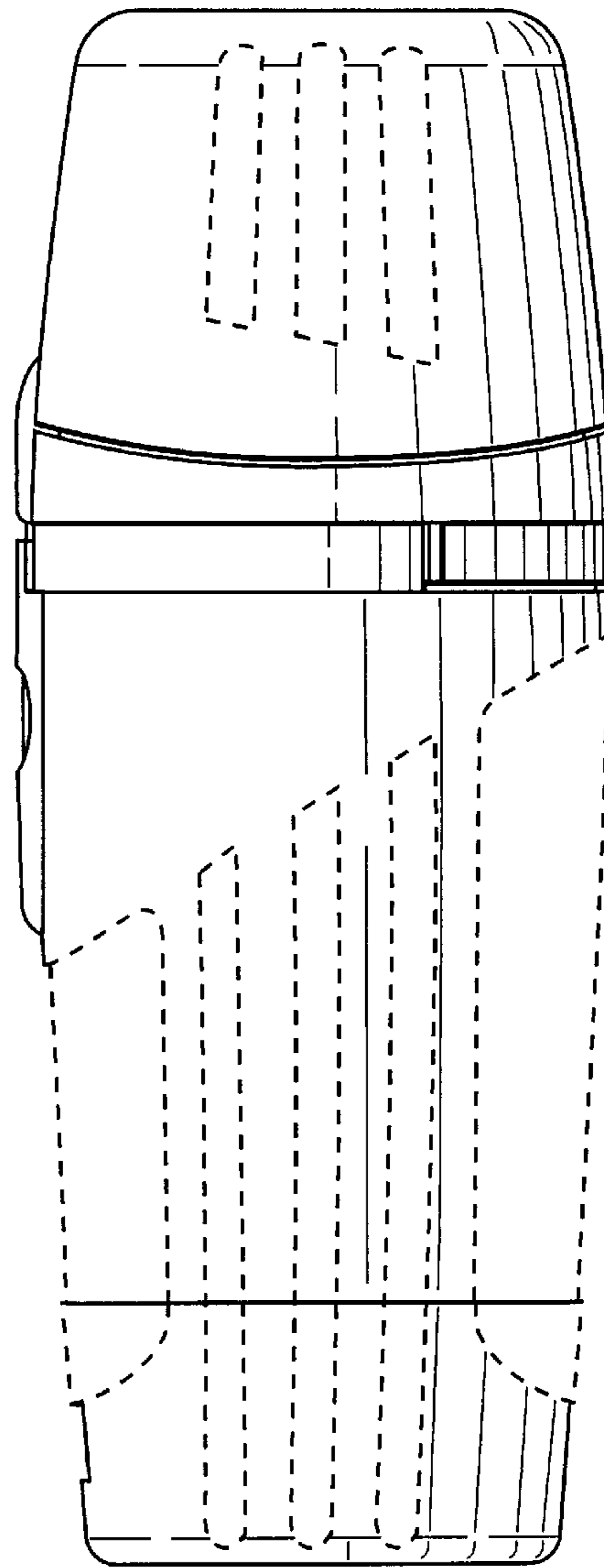
**FIG. 6**



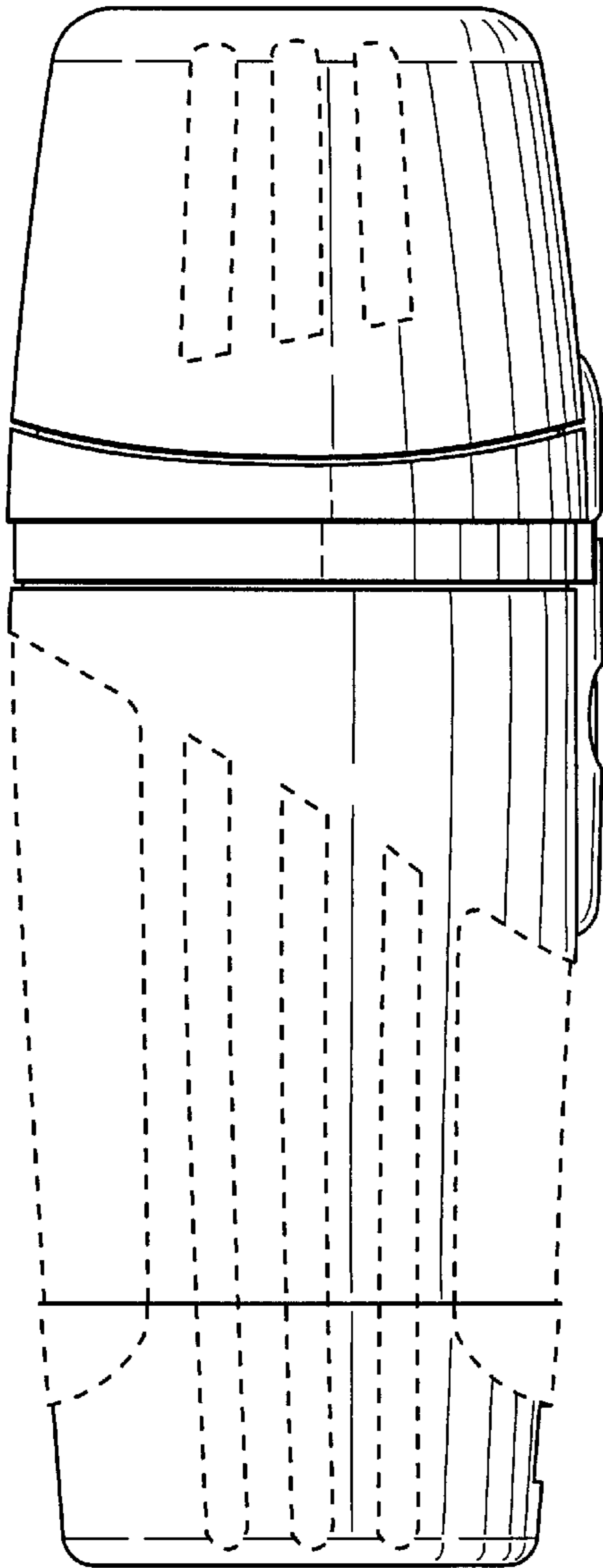
**FIG. 7**



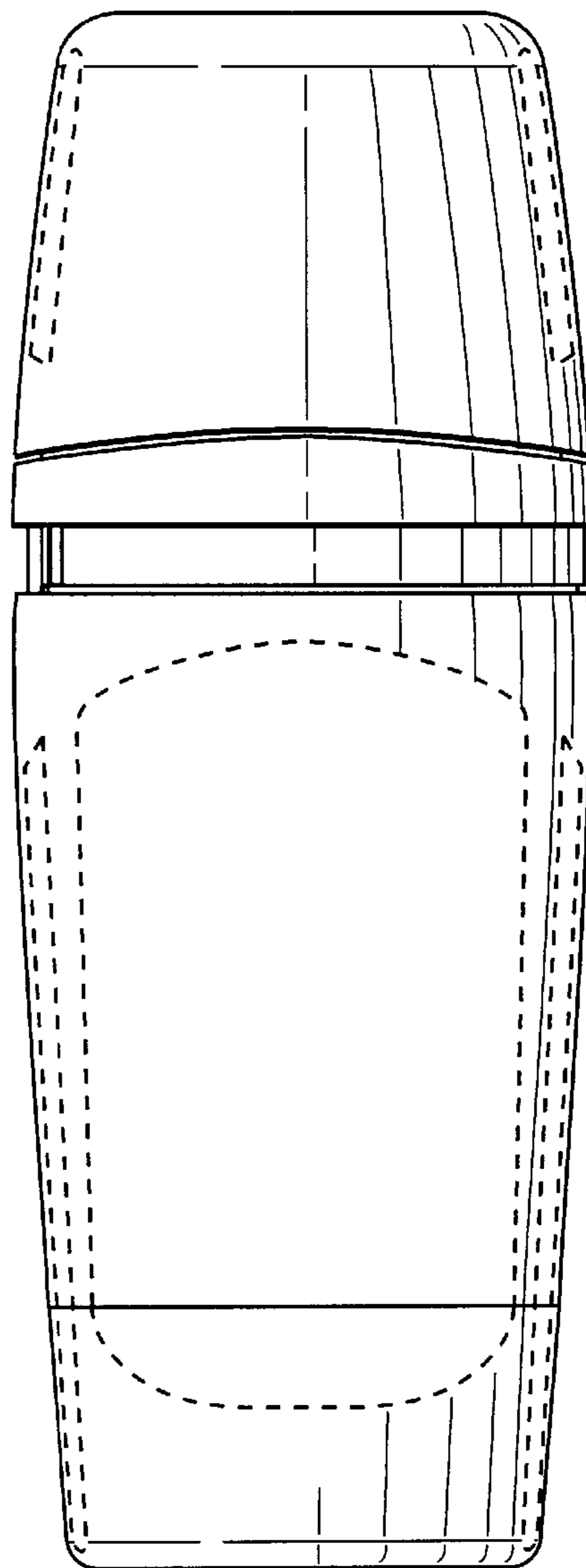
**FIG. 2**



**FIG. 3**



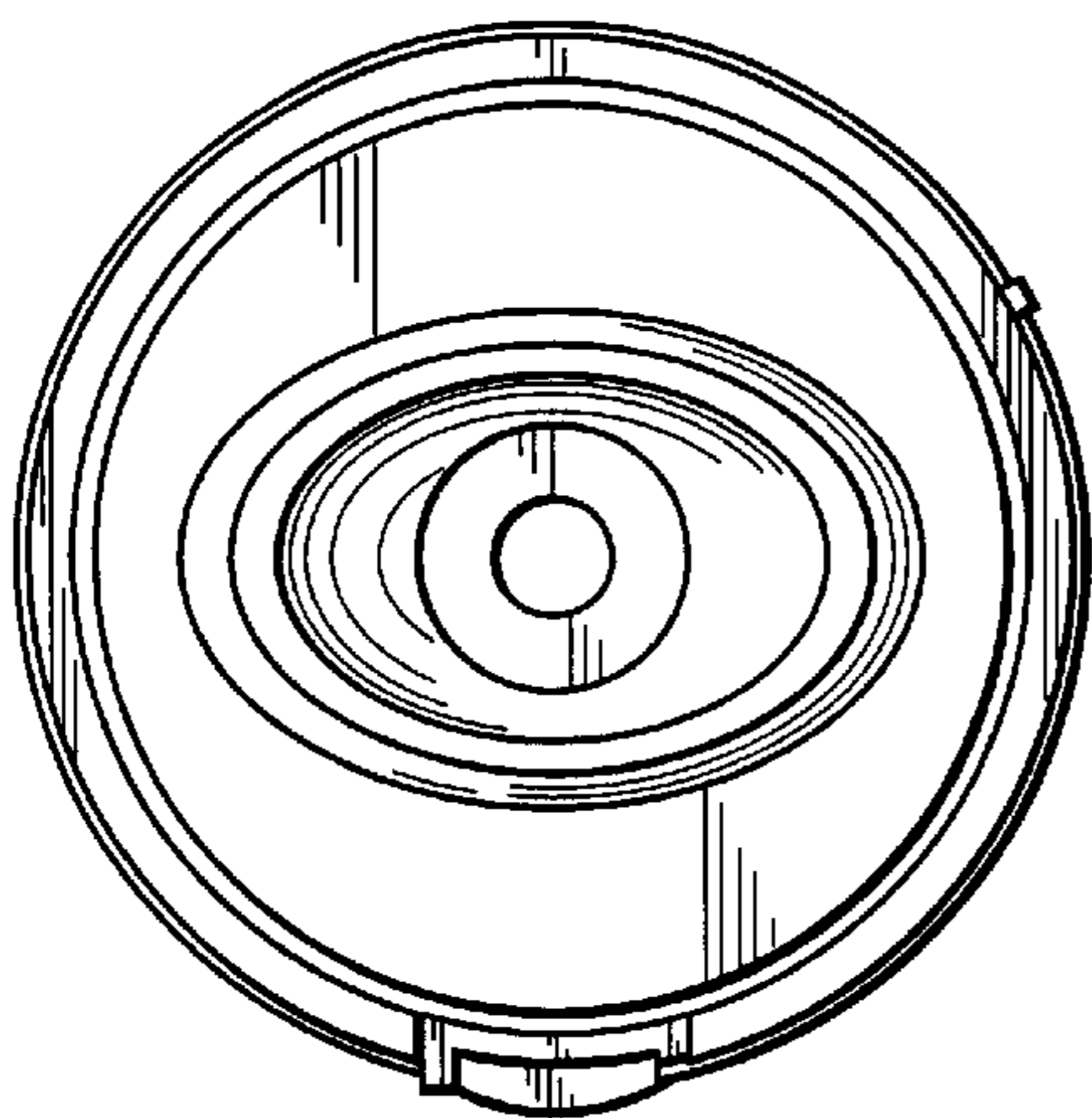
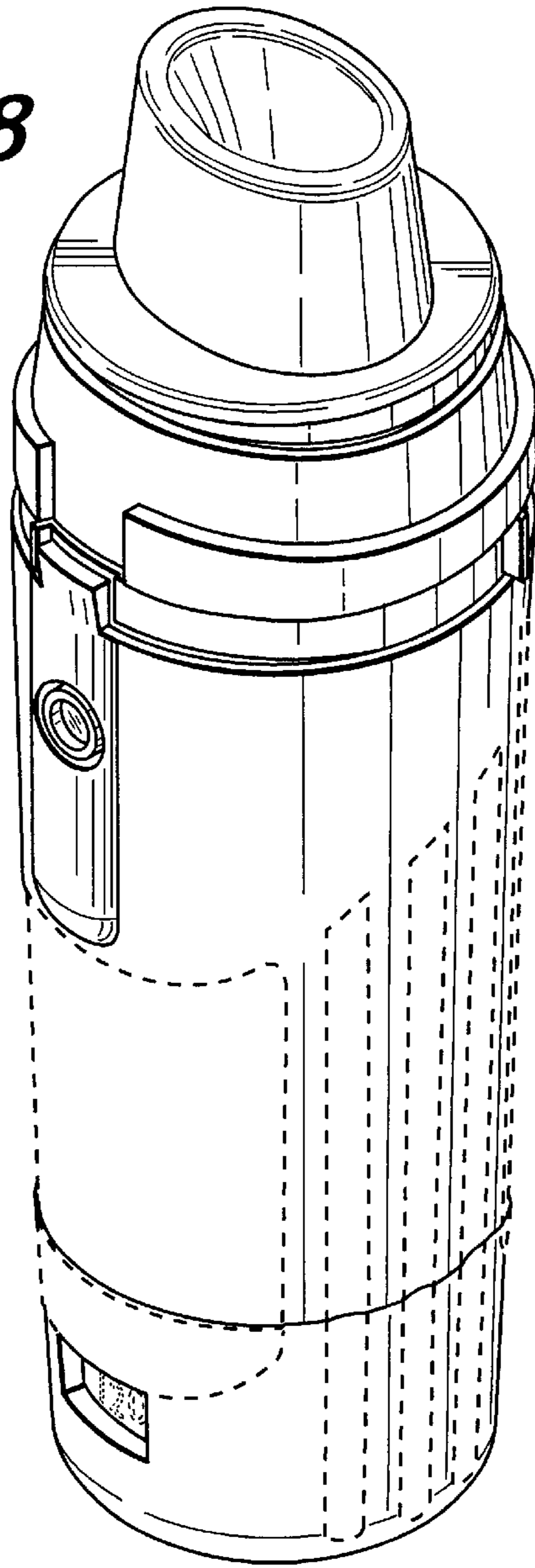
**FIG. 4**



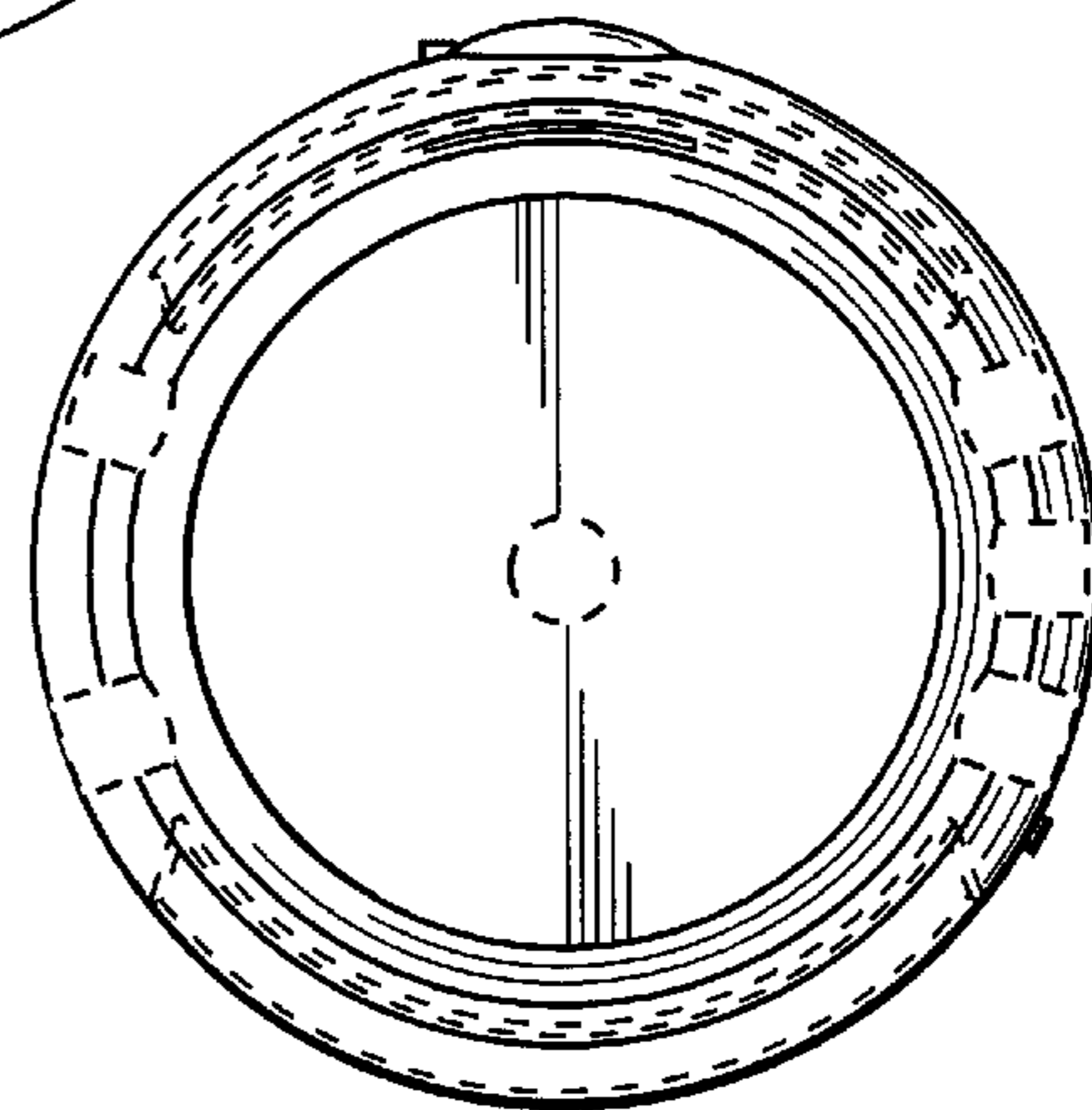
**FIG. 5**



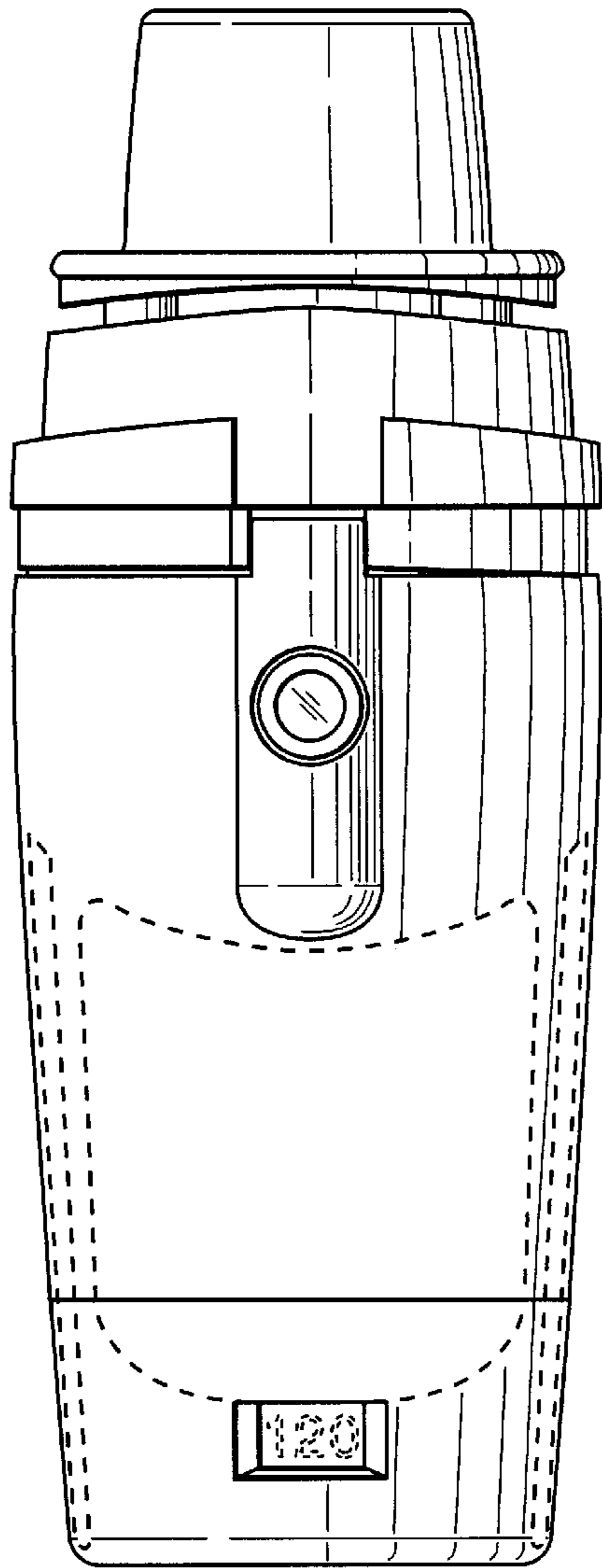
**FIG. 8**



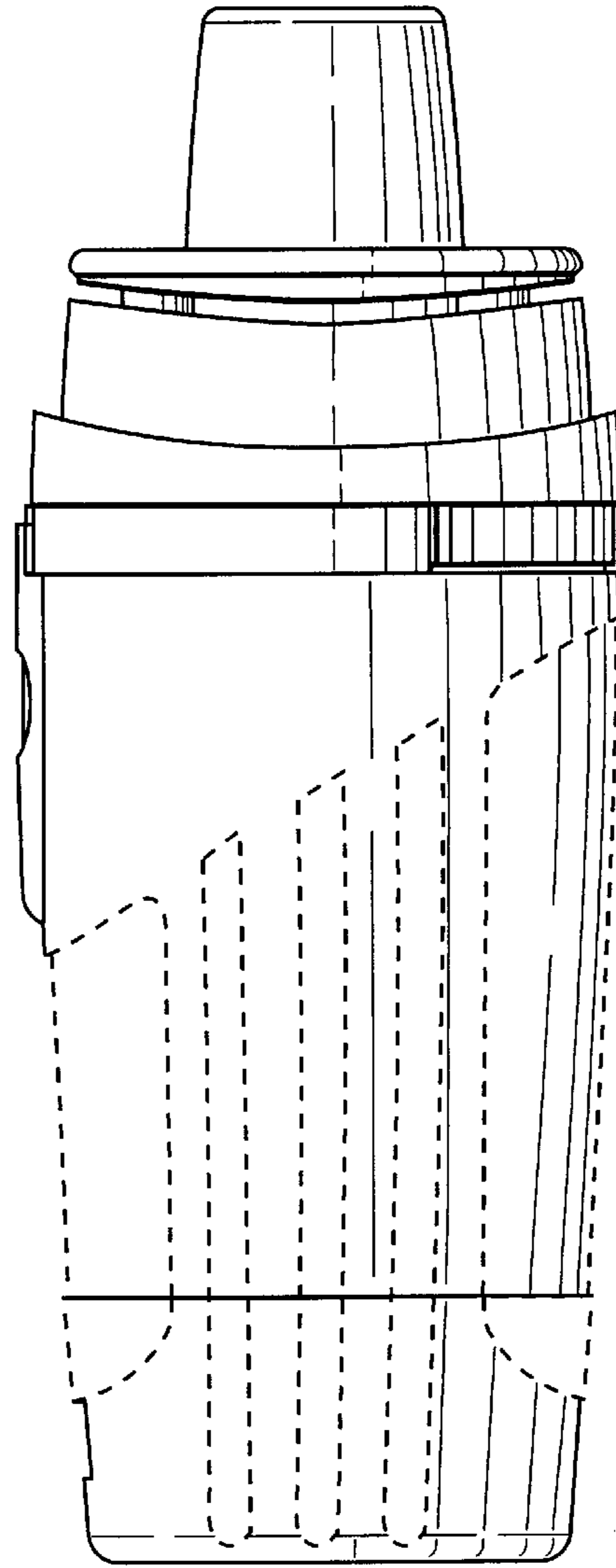
**FIG. 13**



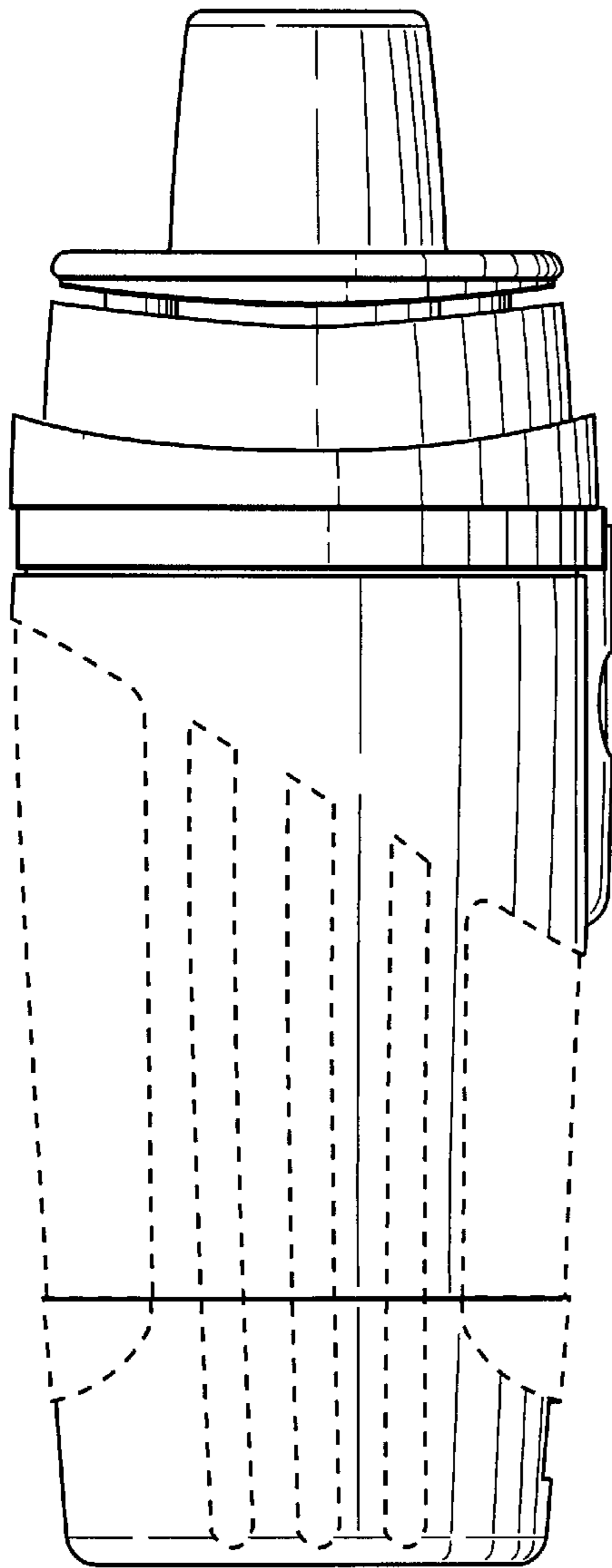
**FIG. 14**



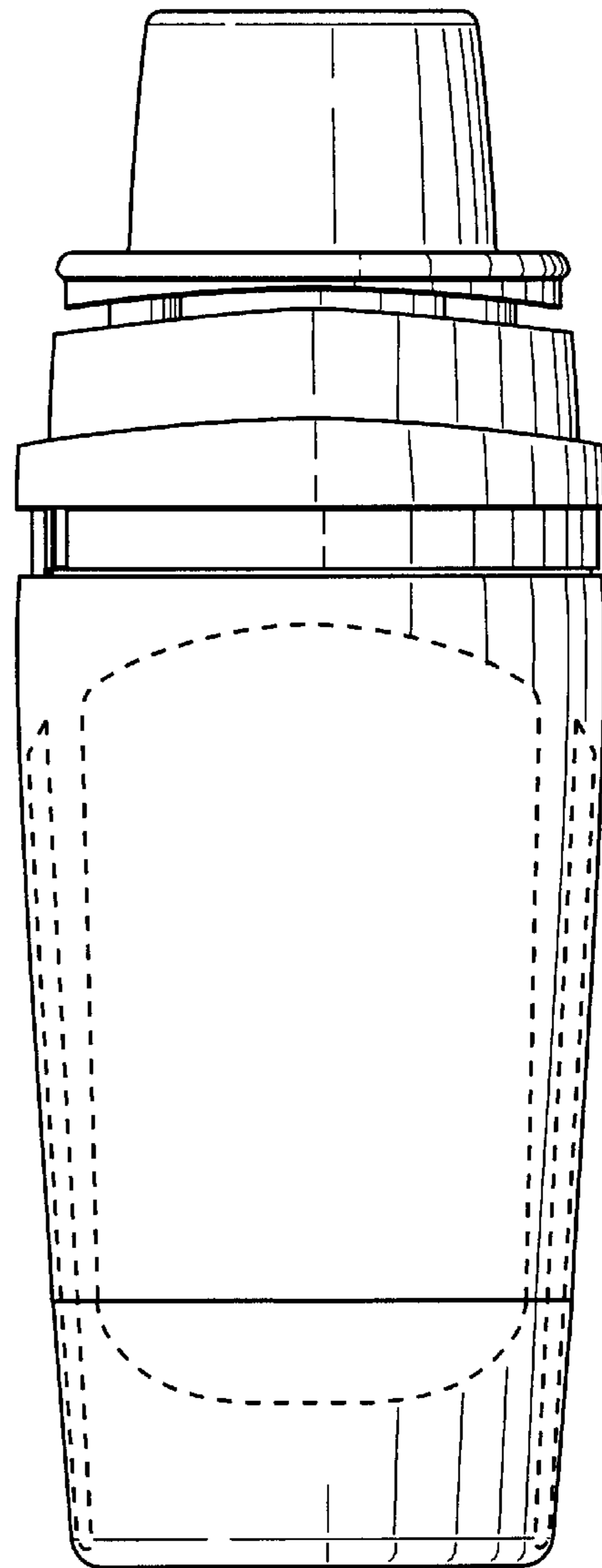
**FIG. 9**



**FIG. 10**



**FIG. 11**



**FIG. 12**