



US00D516210S

(12) **United States Design Patent**  
**Studeneec**

(10) **Patent No.:** **US D516,210 S**

(45) **Date of Patent:** **\*\* Feb. 28, 2006**

(54) **ENDOSCOPY FLUID PUMP**

(75) **Inventor:** **Mark Stephen Studeneec**, Kenneth City, FL (US)

(73) **Assignee:** **Linvatec Corporation**, Largo, FL (US)

(\*\*) **Term:** **14 Years**

(21) **Appl. No.:** **29/199,690**

(22) **Filed:** **Feb. 18, 2004**

(51) **LOC (8) Cl.** ..... **24-01**

(52) **U.S. Cl.** ..... **D24/108; D24/111**

(58) **Field of Classification Search** ..... D24/111,  
D24/108; D15/7; 604/131, 246, 153, 132;  
128/DIG. 12; 417/477.1, 477.2, 477.13, 477.14,  
417/477.12

See application file for complete search history.

(56) **References Cited**

**U.S. PATENT DOCUMENTS**

4,496,295 A \* 1/1985 King ..... 417/477.12  
D420,738 S \* 2/2000 Carter et al. .... D24/111

D471,562 S \* 3/2003 Kagami et al. .... D15/7  
2005/0095155 A1 \* 5/2005 Blight et al. .... 417/477.13

\* cited by examiner

*Primary Examiner*—Ian Simmons

(74) *Attorney, Agent, or Firm*—Gene Warzecha

(57) **CLAIM**

The ornamental design for an endoscopy fluid pump, substantially as shown and described.

**DESCRIPTION**

FIG. 1 is a front perspective view of an endoscopy fluid pump showing my new design.

FIG. 2 is a front elevation view thereof.

FIG. 3 is a rear elevation view thereof.

FIG. 4 is a left side elevation view thereof.

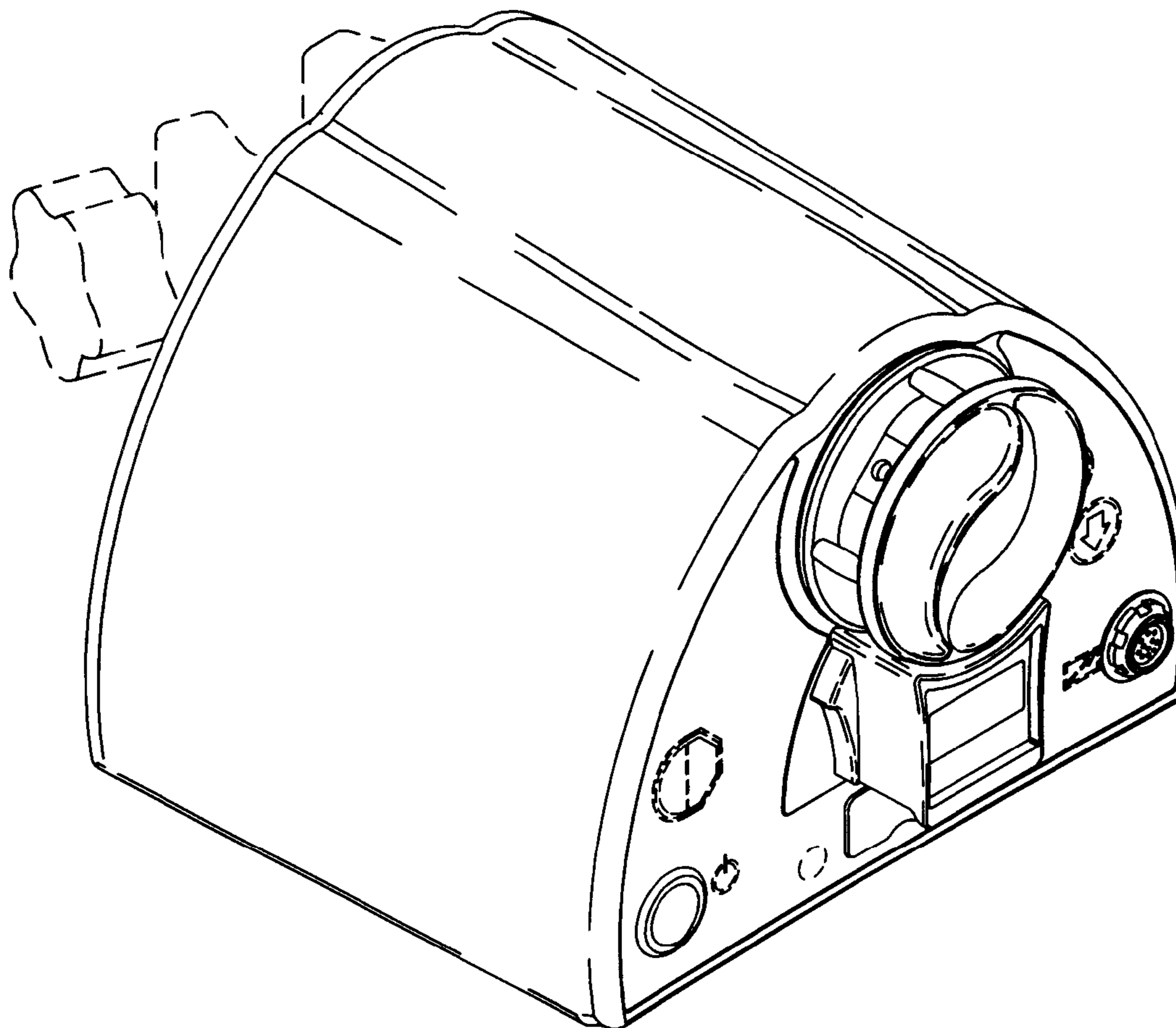
FIG. 5 is a right side elevation view thereof.

FIG. 6 is a top plan view thereof; and,

FIG. 7 is a bottom plan view thereof.

The broken lines shown in the drawings are for illustrative purposes only and form no part of the claimed design.

**1 Claim, 4 Drawing Sheets**



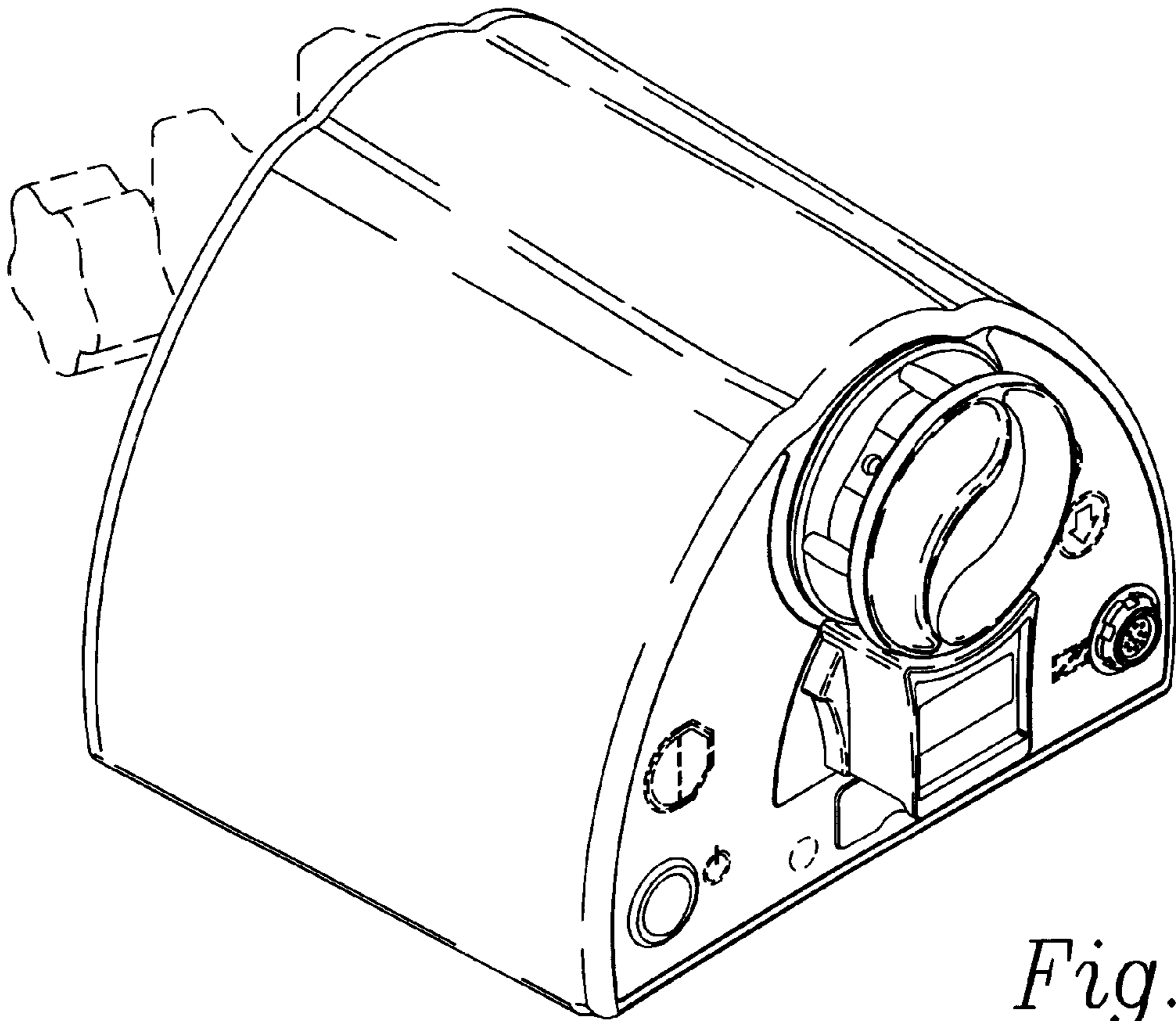


Fig. 1

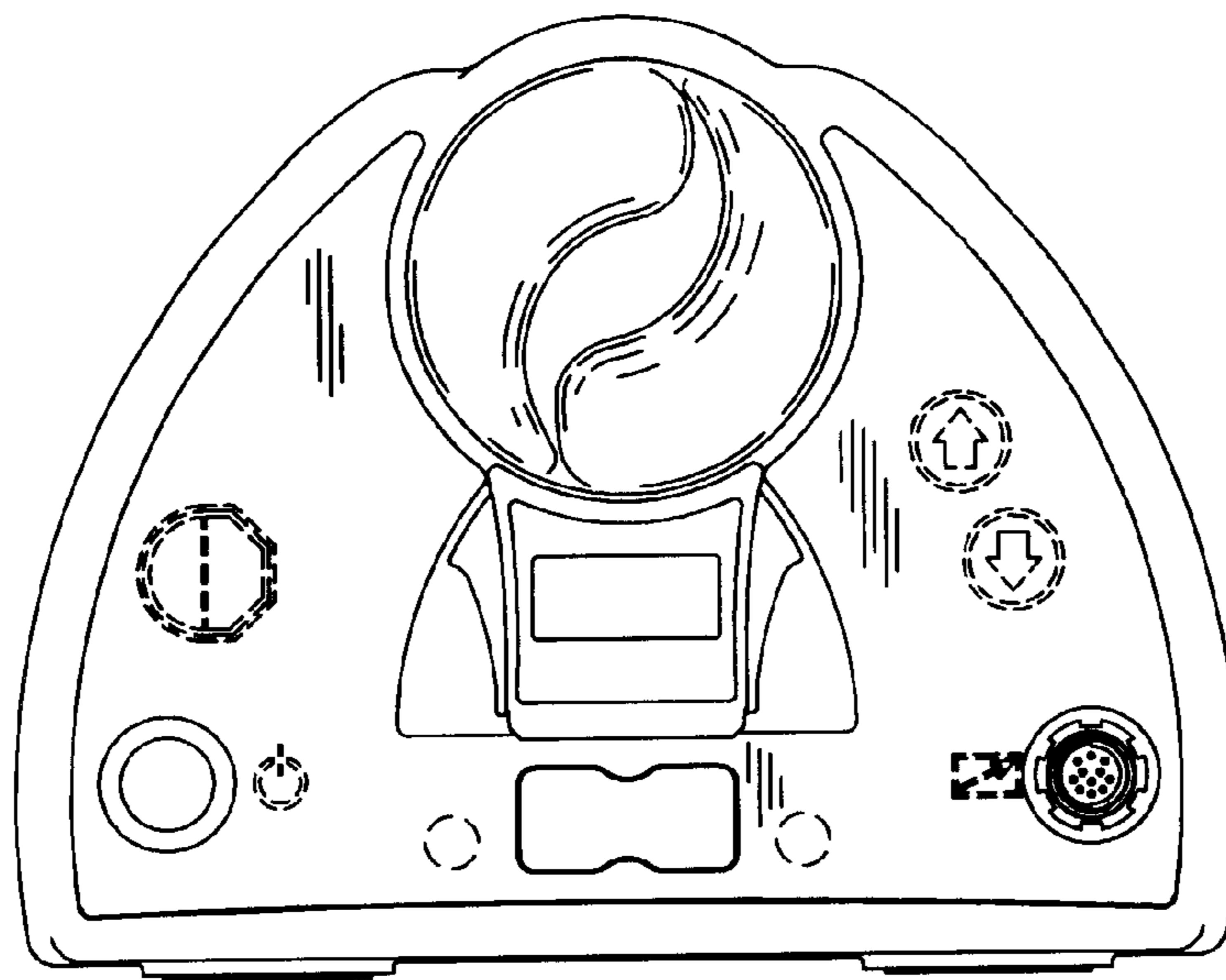


Fig. 2

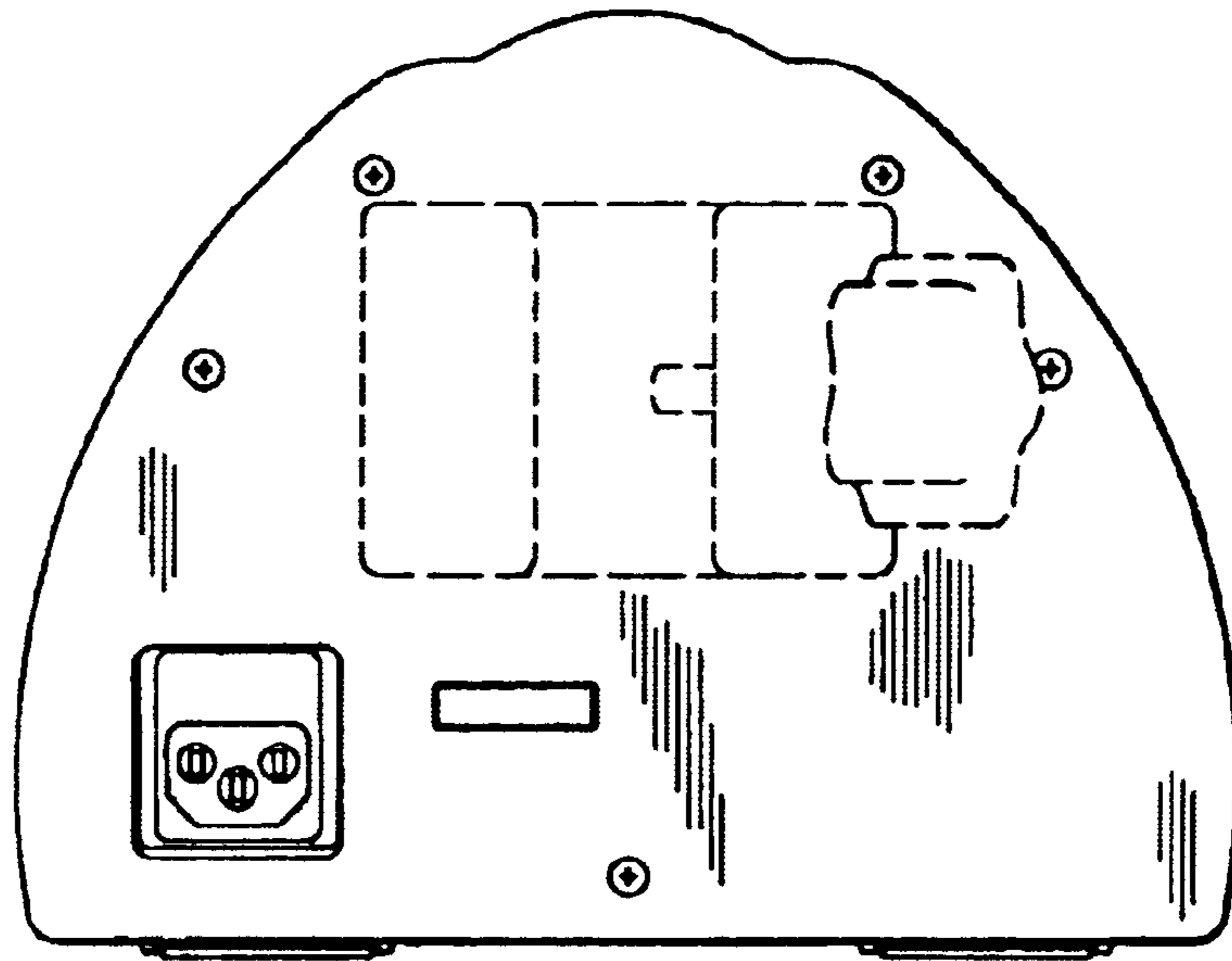


Fig. 3

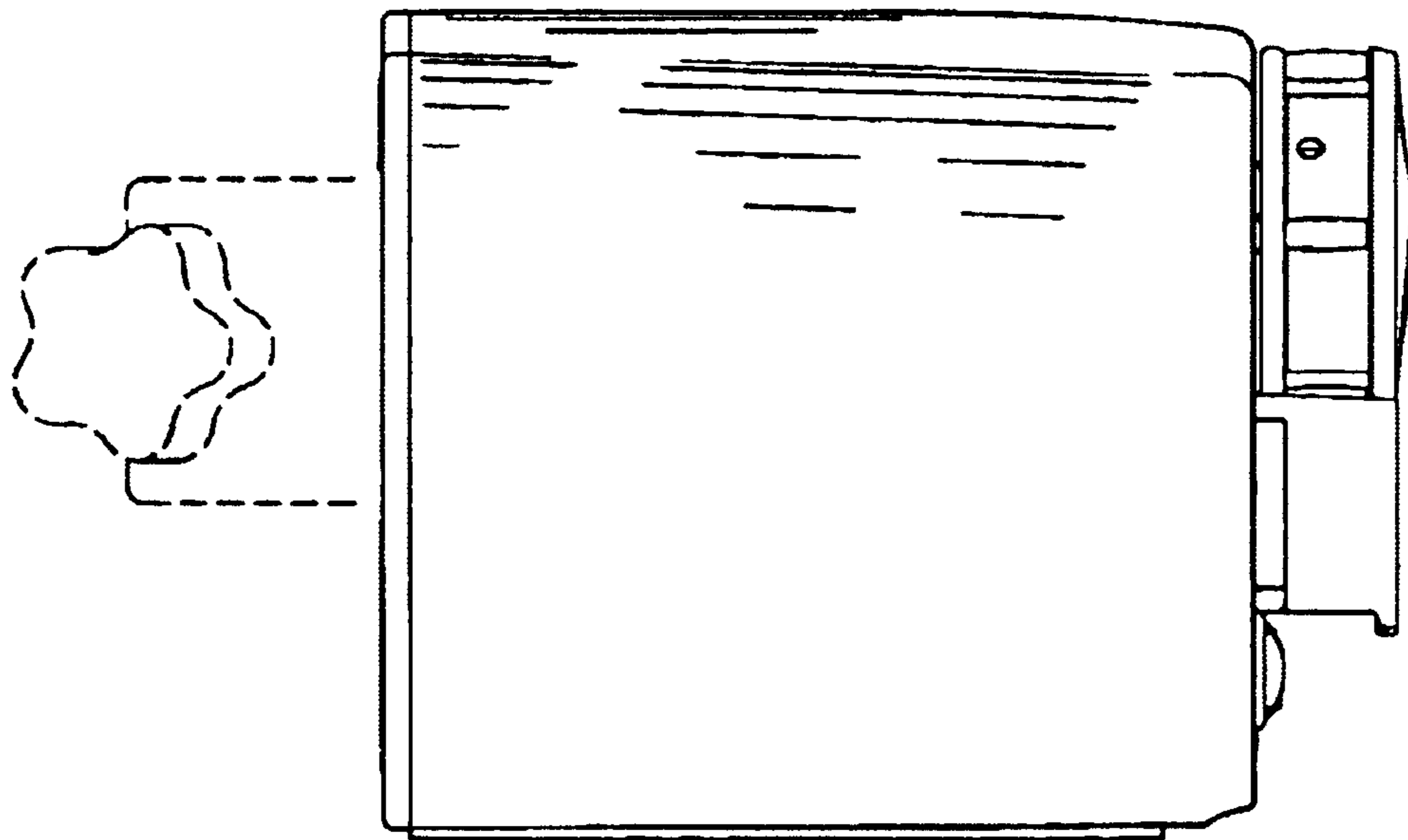


Fig. 4

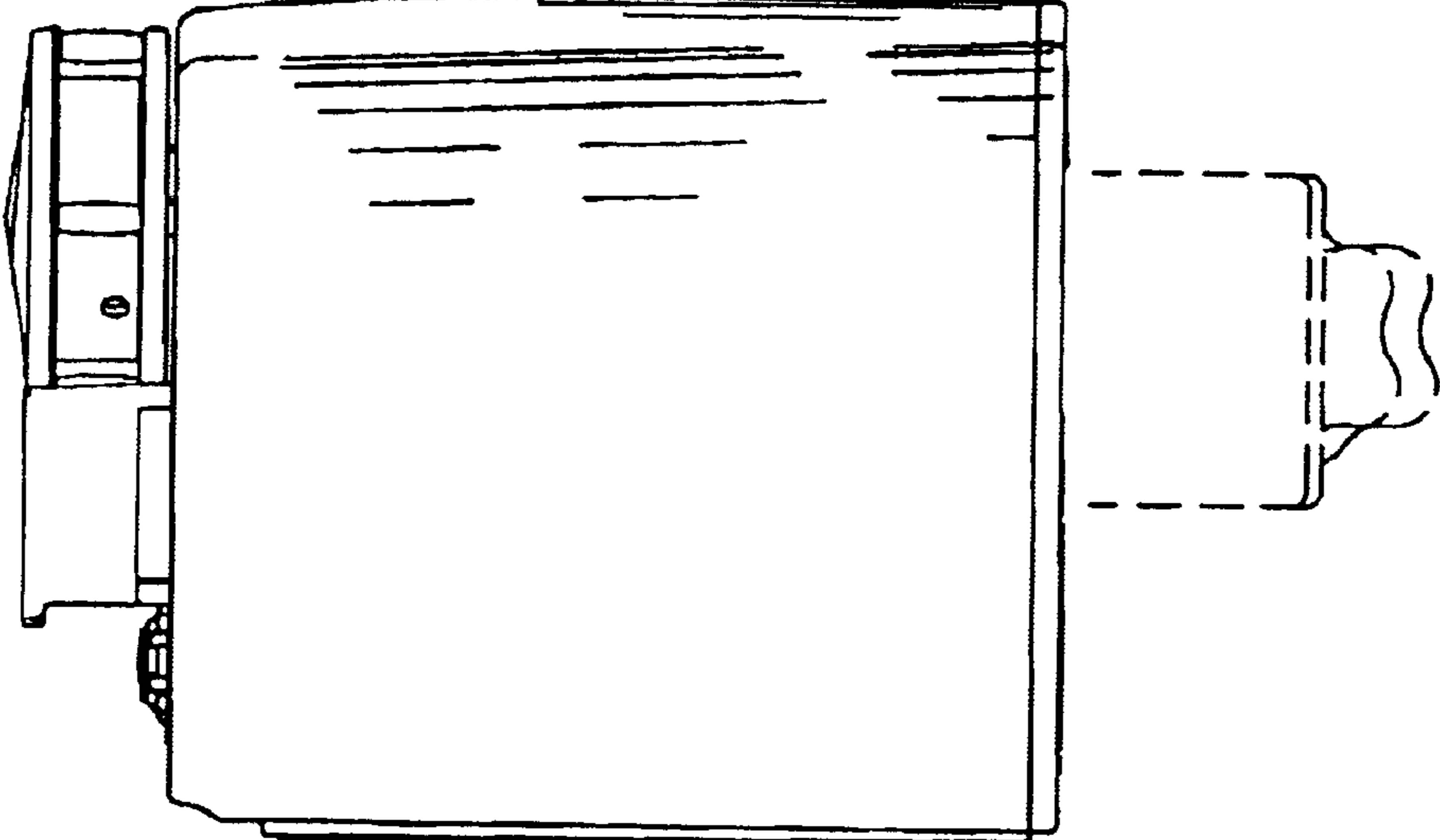


Fig. 5

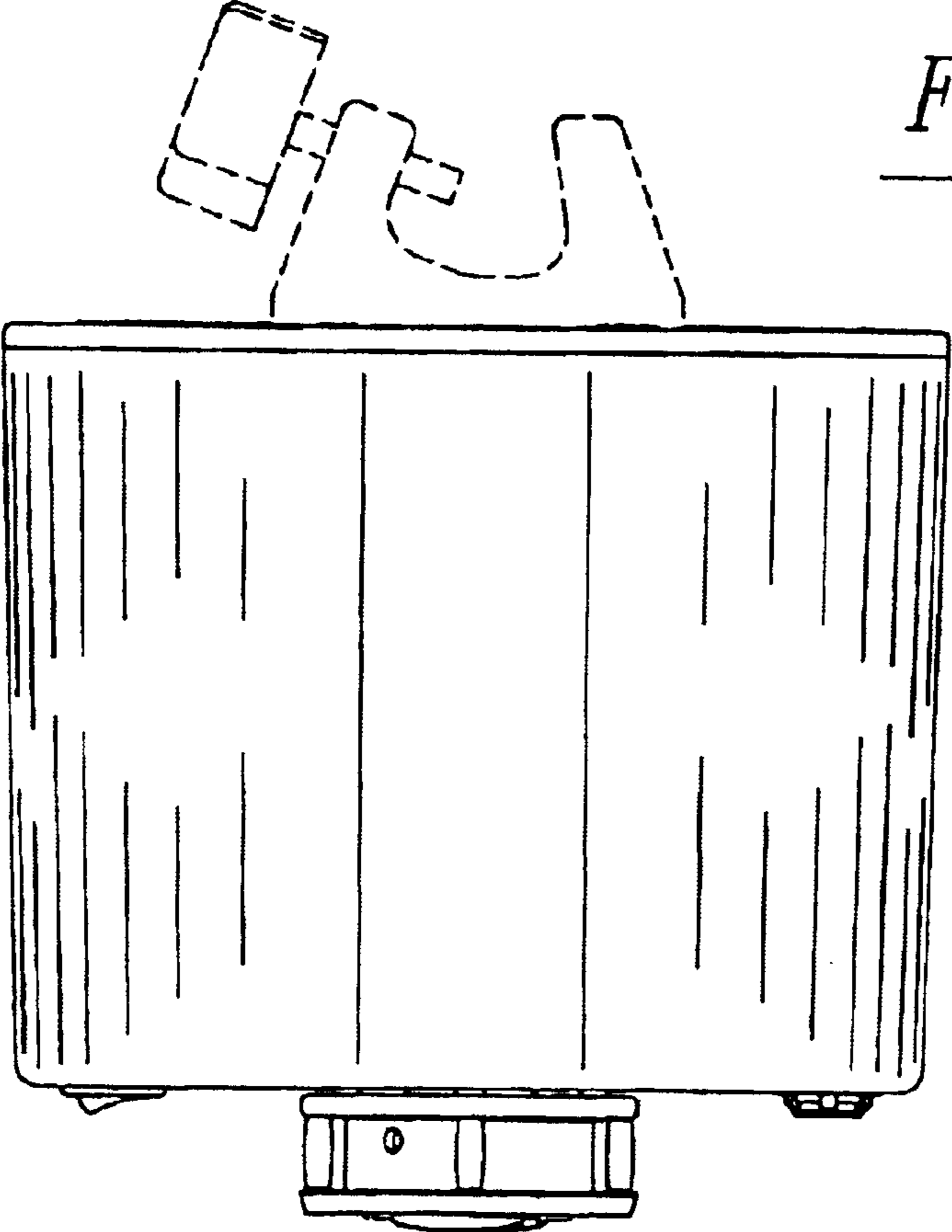


Fig. 6

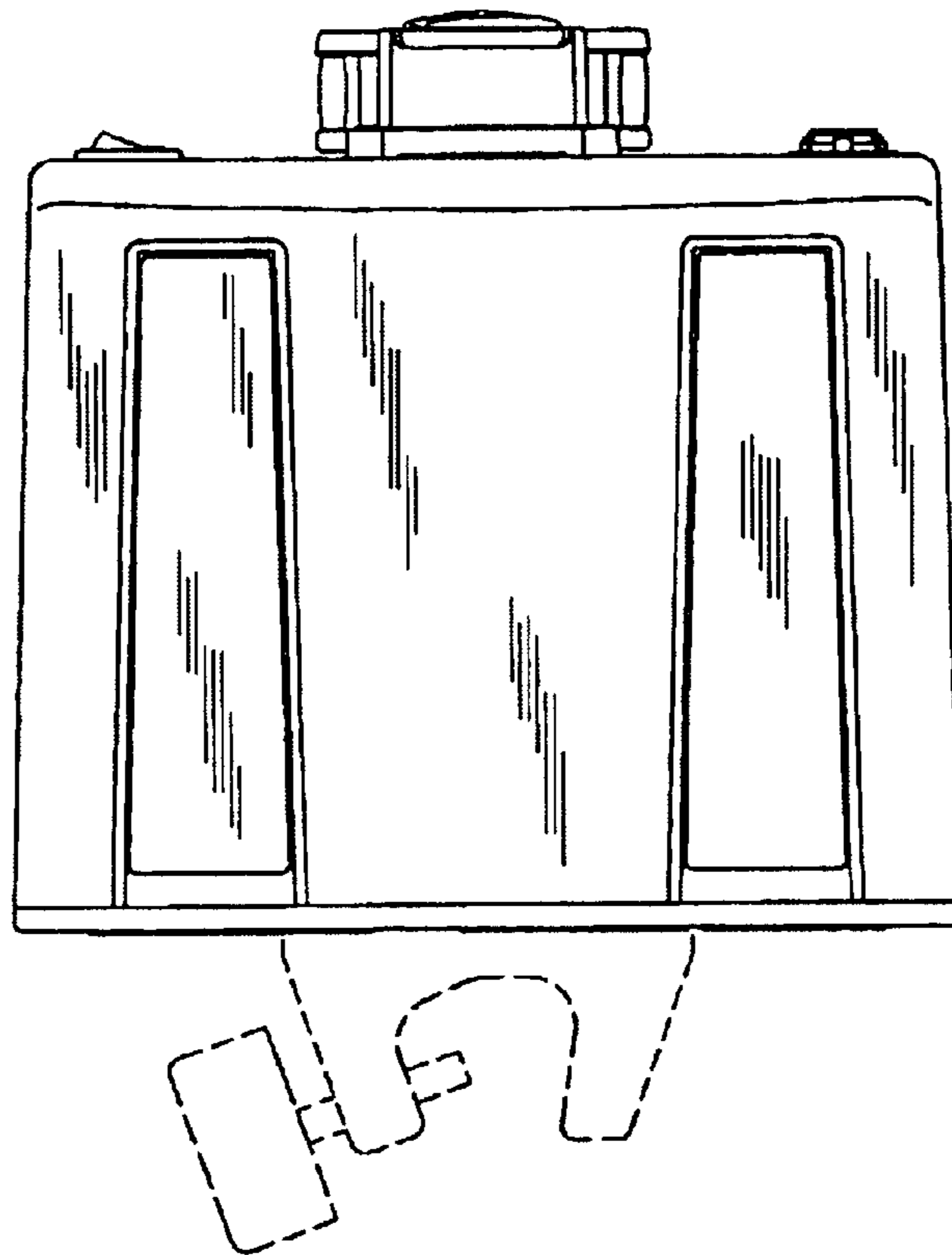


Fig. 7