

US00D516209S

(12) **United States Design Patent** (10) **Patent No.:** **US D516,209 S**
Badarello (45) **Date of Patent:** **** Feb. 28, 2006**

(54) **CEILING FAN BLADE**

D505,198 S * 5/2005 Liu D23/413

(75) Inventor: **Christophe Badarello**, Walls, MS (US)

OTHER PUBLICATIONS

(73) Assignee: **Hunter Fan Company**, Memphis, TN (US)

2004 Hunter Prestige Product Catalog, p. 62 (Outdoor Original®).

(**) Term: **14 Years**

1995 Hunter Product Catalog, p. 18 (18868 52" Verde Motor).

(21) Appl. No.: **29/225,866**

Sonica® Product Catalog, p. 34 (Outdoors Damp 37000 Series 52" 5 Blades).

(22) Filed: **Mar. 21, 2005**

* cited by examiner

(51) **LOC (8) Cl.** **23-04**

Primary Examiner—Lisa Lichtenstein

(52) **U.S. Cl.** **D23/413**

(74) *Attorney, Agent, or Firm*—Baker Donelson

(58) **Field of Classification Search** D23/377,
D23/379, 385, 413; 416/5

(57) **CLAIM**

See application file for complete search history.

The ornamental design for a ceiling fan blade, as shown and described.

(56) **References Cited**

DESCRIPTION

U.S. PATENT DOCUMENTS

FIG. 1 is a perspective view of a ceiling fan blade showing my new design.

D297,456 S	8/1988	Pearce	D23/385
D349,337 S	8/1994	Tsuji	D23/377
D358,878 S	5/1995	Tsuji	D23/377
D376,004 S	11/1996	Tsuji	D23/377
D388,871 S	1/1998	Gee, II	D23/413
D390,649 S	2/1998	Pearce et al.	D23/377
D419,660 S	1/2000	Zuege	D23/377
D425,610 S	5/2000	Gee, II	D23/377
D504,174 S	* 4/2005	Thomas, Jr.	D23/413

FIG. 2 is a bottom view thereof.

FIG. 3 is a top view thereof.

FIG. 4 is a left side view thereof.

FIG. 5 is a right side view thereof.

FIG. 6 is a front view thereof; and,

FIG. 7 is a rear view thereof.

1 Claim, 3 Drawing Sheets

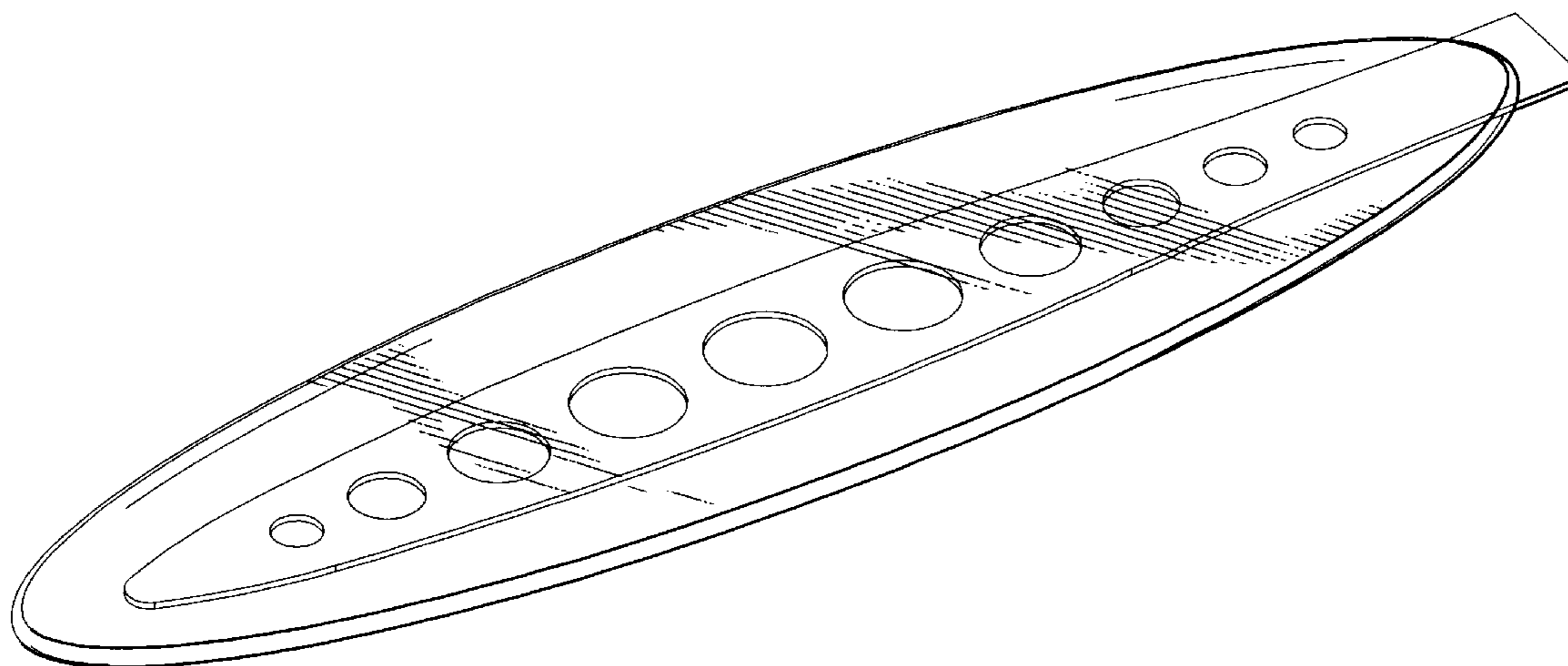


Fig. 1

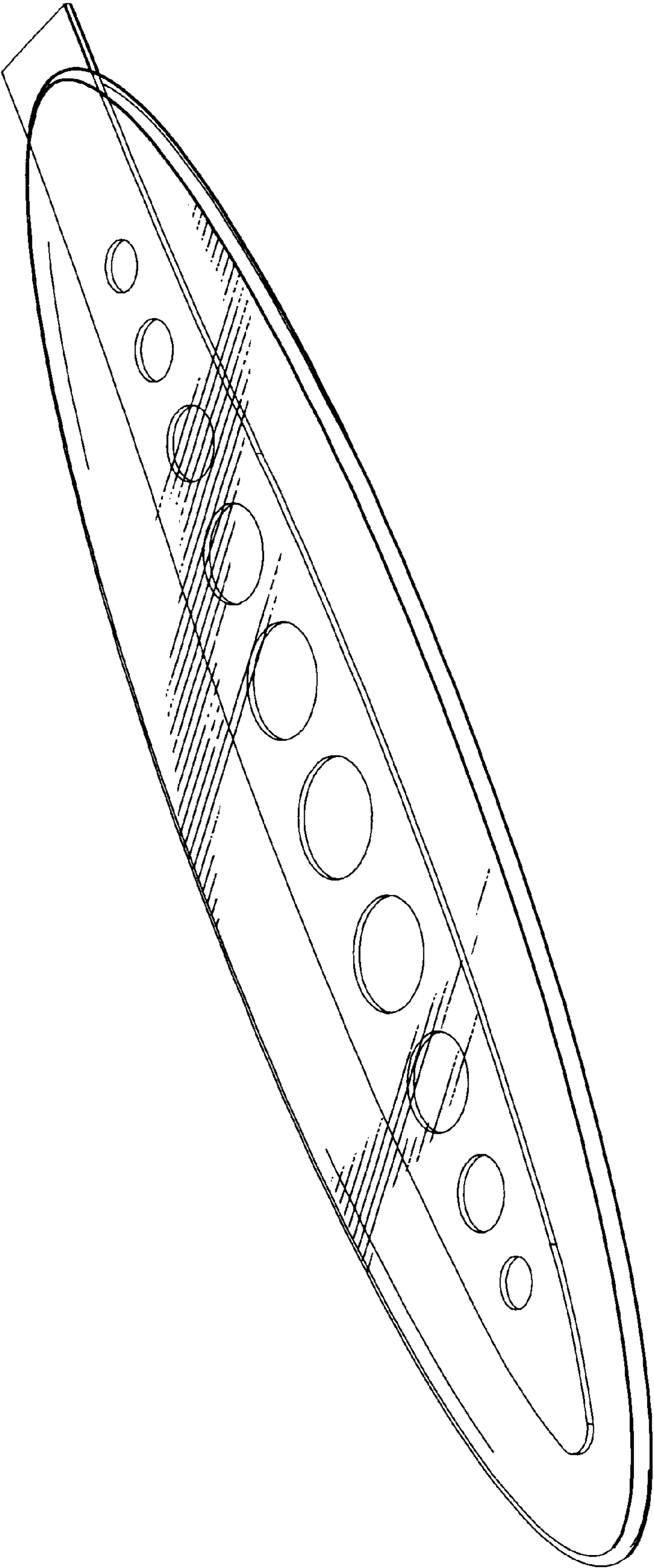


Fig. 2

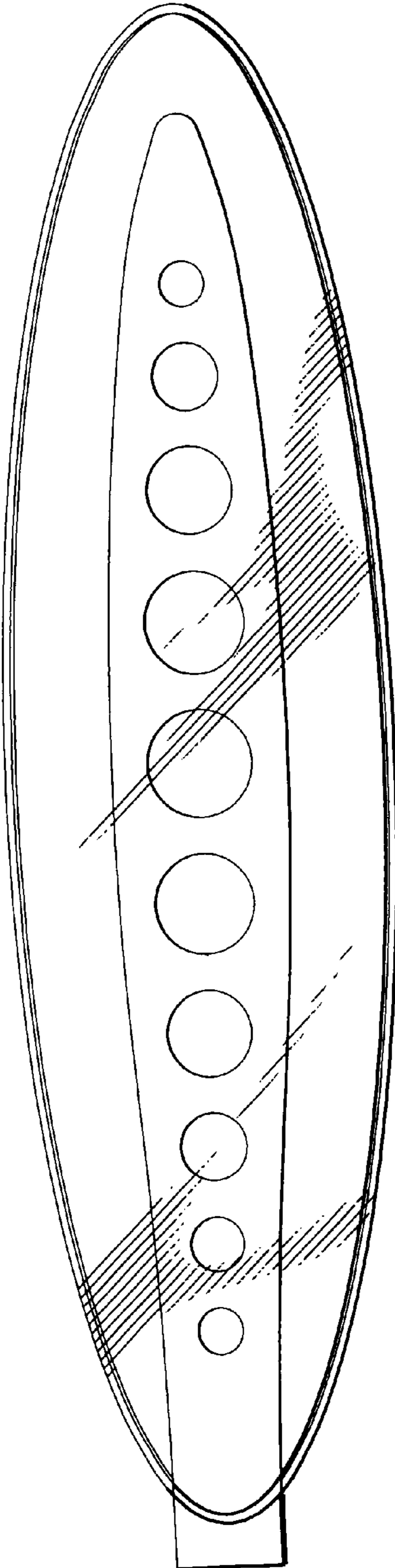


Fig. 3

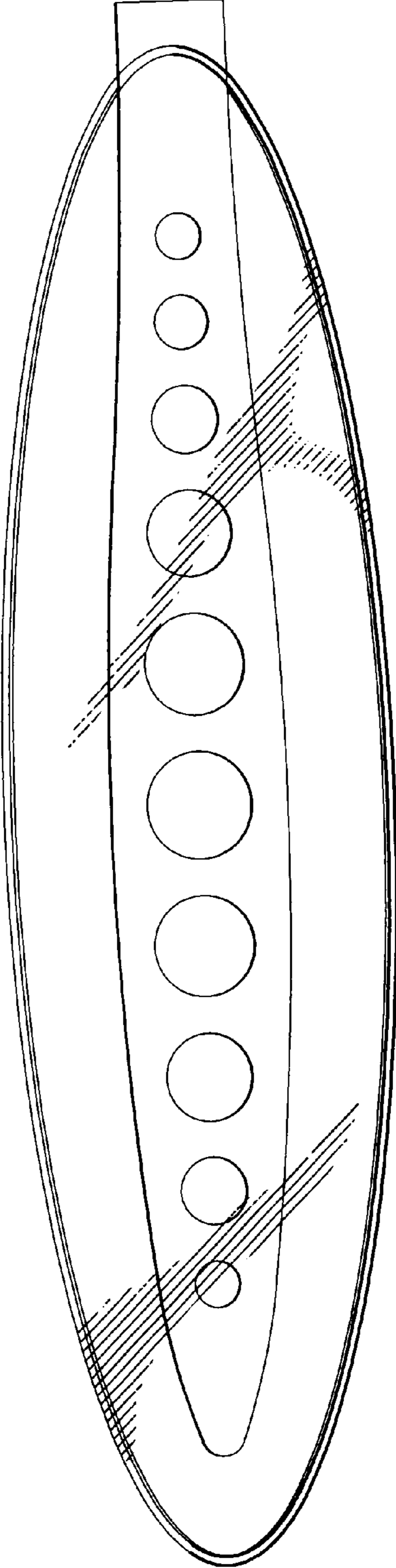


Fig. 4



Fig. 5

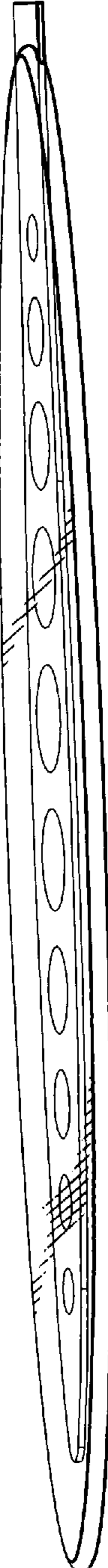


Fig. 6

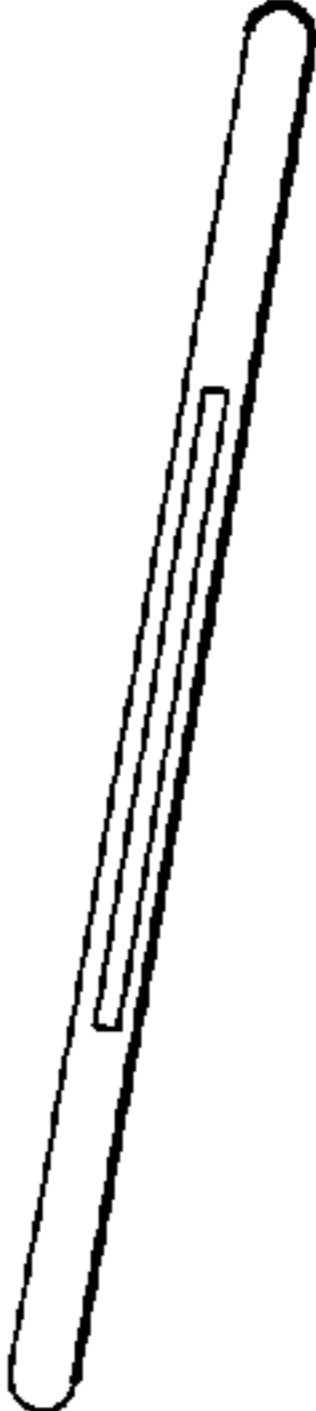


Fig. 7

