



US00D516208S

(12) **United States Design Patent**  
**Tai**

(10) **Patent No.:** **US D516,208 S**

(45) **Date of Patent:** **\*\* Feb. 28, 2006**

(54) **FAN BLADE**

D503,472 S \* 3/2005 Tai ..... D23/413

(75) Inventor: **Jen-Lung David Tai**, Glendale, AZ  
(US)

\* cited by examiner

*Primary Examiner*—Lisa Lichtenstein

(73) Assignee: **Air Cool Industrial Co., Ltd.**,  
Taichung (TW)

(74) *Attorney, Agent, or Firm*—Parsons & Goltry; Michael  
W. Goltry; Robert A. Parsons

(\*\*) Term: **14 Years**

(57) **CLAIM**

The ornamental design for a fan blade, as shown and  
described.

(21) Appl. No.: **29/222,644**

(22) Filed: **Feb. 2, 2005**

**DESCRIPTION**

(51) **LOC (8) Cl.** ..... **23-04**

FIG. 1 is a bottom perspective view of a fan blade showing  
my new design;

(52) **U.S. Cl.** ..... **D23/413**

FIG. 2 is another perspective view thereof;

(58) **Field of Classification Search** ..... D23/377,

FIG. 3 is a bottom plan view thereof;

D23/379, 385, 413, 411; 416/5

FIG. 4 is a top plan view thereof;

See application file for complete search history.

FIG. 5 is a left side elevational view thereof;

FIG. 6 is a right side elevational view thereof;

(56) **References Cited**

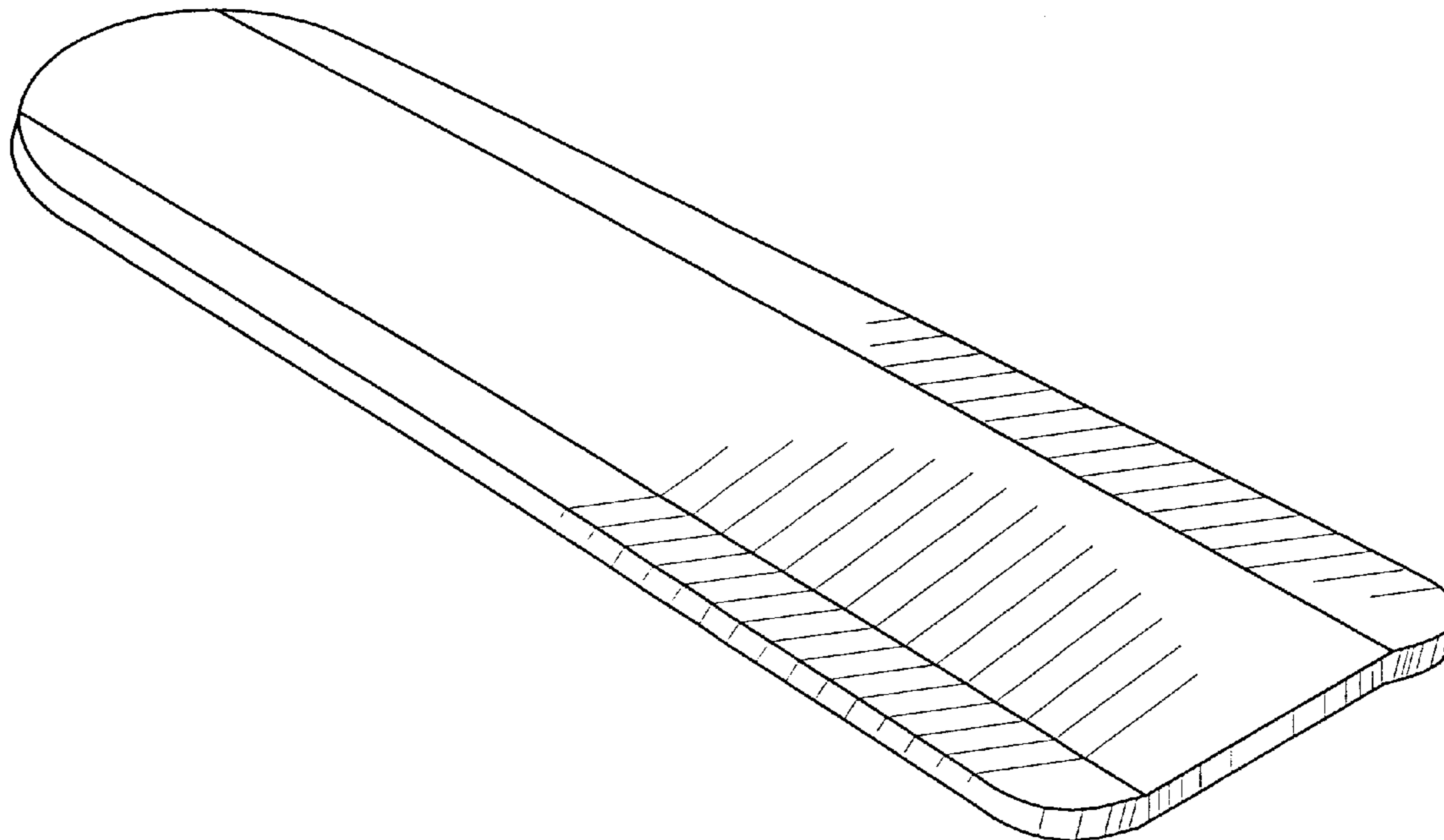
**U.S. PATENT DOCUMENTS**

FIG. 7 is a front elevational view thereof; and,

FIG. 8 is a rear elevational view thereof.

D345,790 S \* 4/1994 Caldwell ..... D23/377

**1 Claim, 2 Drawing Sheets**



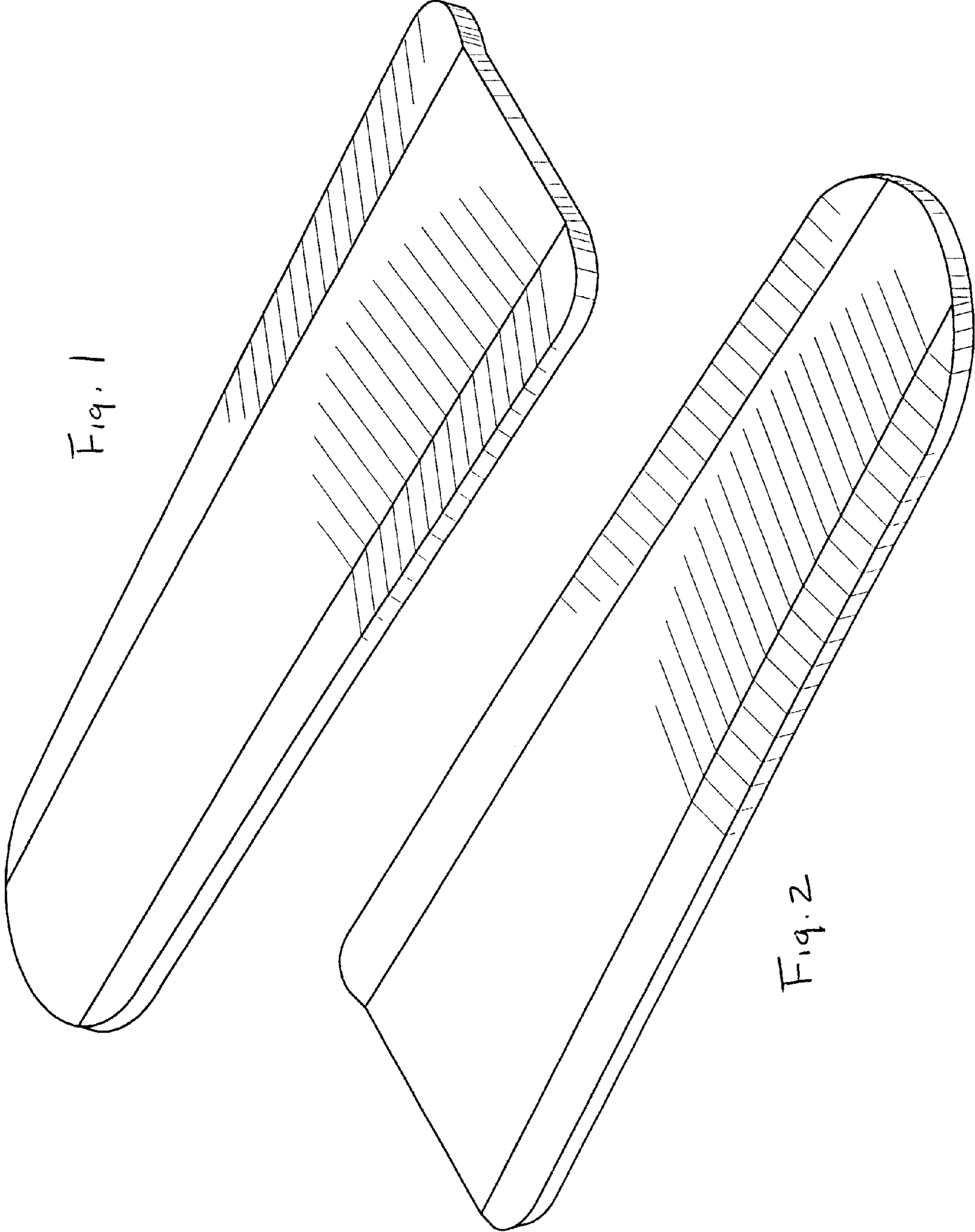


Fig. 8

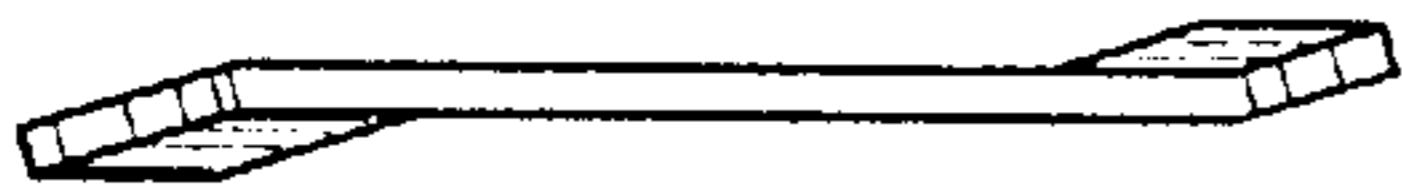


Fig. 3

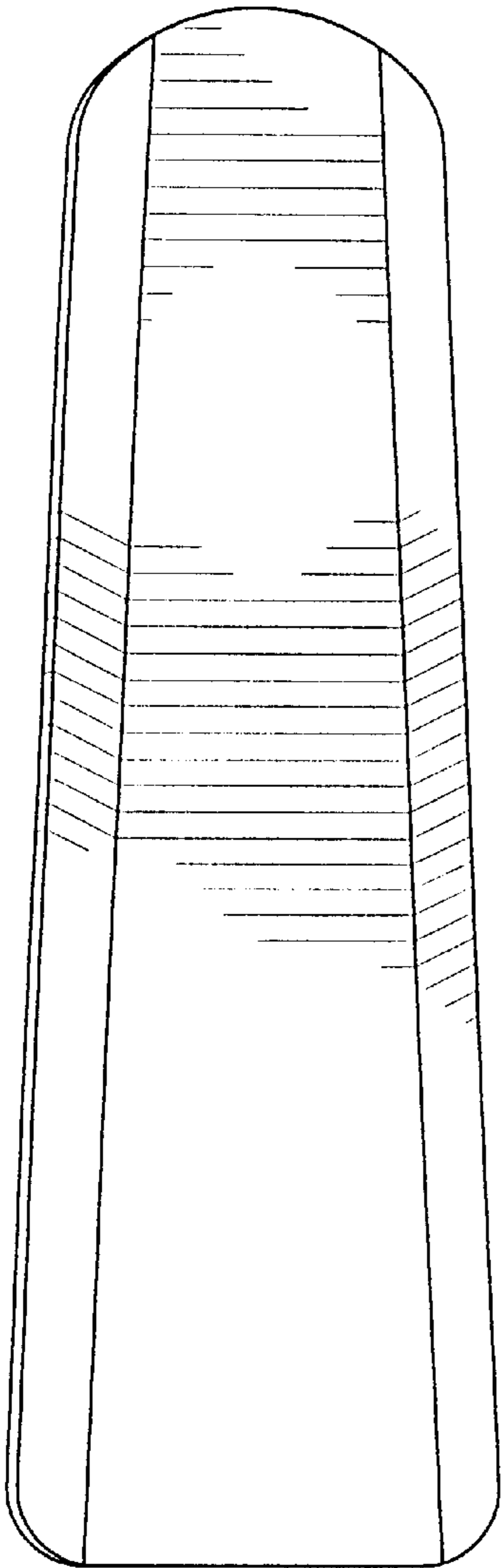


Fig. 5

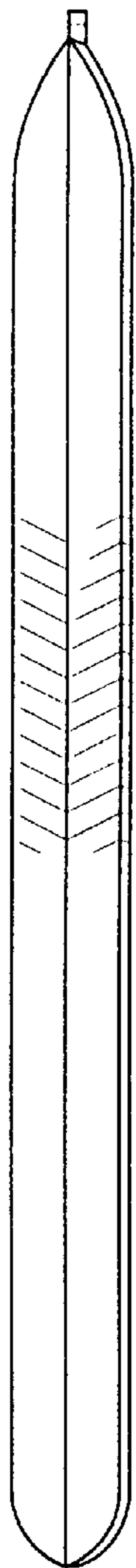


Fig. 4

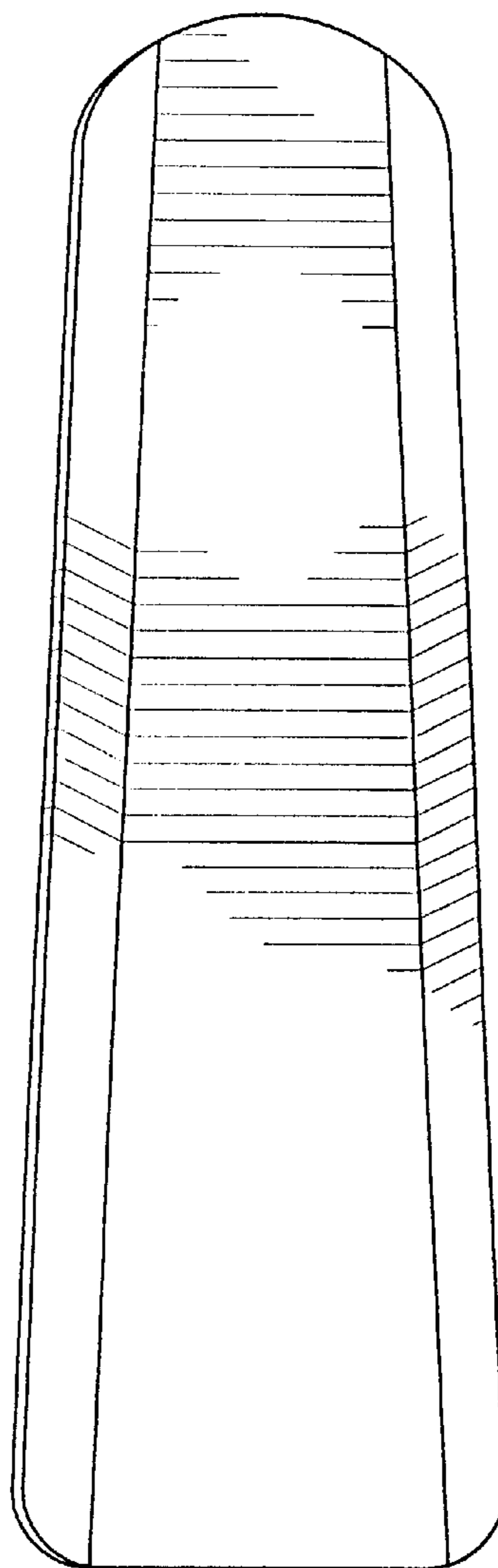


Fig. 6

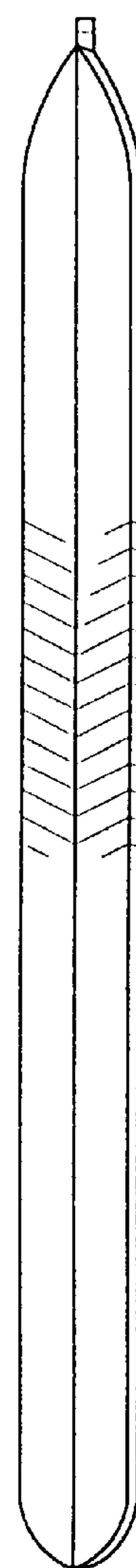


Fig. 7

