

US00D516200S

(12) **United States Design Patent** (10) **Patent No.:** **US D516,200 S**
Pickett (45) **Date of Patent:** **** Feb. 28, 2006**

(54) **COMBINED CEILING FAN HOUSING AND LIGHT KIT**

(76) Inventor: **Mark Pickett**, 1419 E. Palm St., Altadena, CA (US) 91001

(**) Term: **14 Years**

(21) Appl. No.: **29/220,932**

(22) Filed: **Jan. 7, 2005**

(51) **LOC (8) Cl.** **23-04**

(52) **U.S. Cl.** **D23/411**

(58) **Field of Classification Search** D23/377,
D23/379, 385, 411; 416/5; D26/59, 57, 81-88,
D26/72; 362/96

See application file for complete search history.

(56) **References Cited**

U.S. PATENT DOCUMENTS

D435,289 S	*	12/2000	Liu	D23/411
D449,682 S	*	10/2001	Gajewski	D23/411
D452,908 S	*	1/2002	Dolan	D23/411
D502,770 S	*	3/2005	Hidalgo	D23/377

* cited by examiner

Primary Examiner—Lisa Lichtenstein
(74) *Attorney, Agent, or Firm*—Parsons & Goultry; Michael W. Goltry; Robert A. Parsons

(57) **CLAIM**

The ornamental design for a combined ceiling fan housing and light kit, as shown and described.

DESCRIPTION

FIG. 1 is a bottom perspective view of a combined ceiling fan housing and light kit showing my new design;

FIG. 2 is a top perspective view thereof;

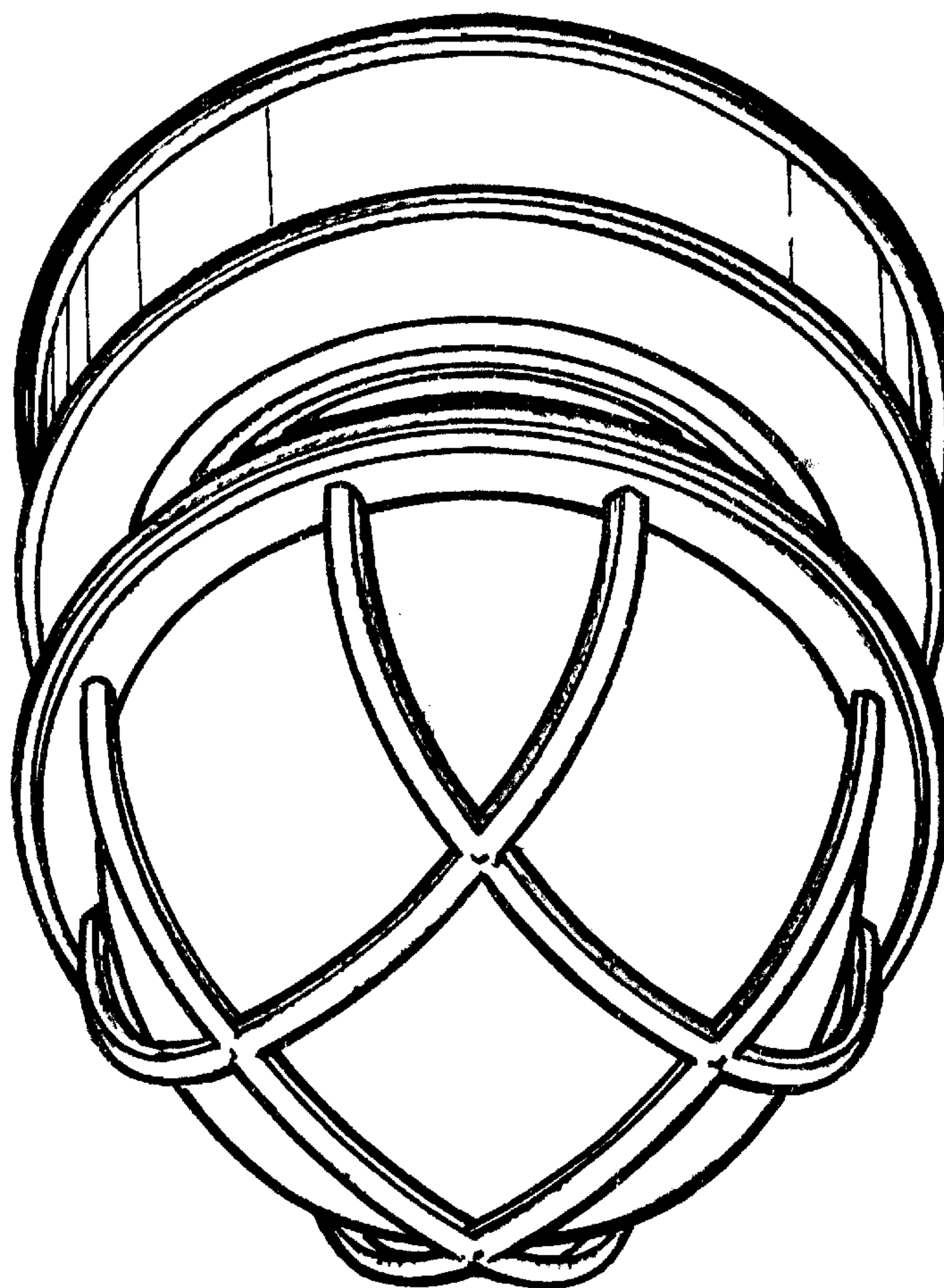
FIG. 3 is a front elevational view thereof, the rear elevational view, the left side elevational view, and the right side elevational view being substantially the same thereof;

FIG. 4 is a bottom plan view thereof; and,

FIG. 5 is a top plan view thereof.

The broken lines in FIGS. 2, 3 and 5 show environmental features, which are for illustrative purposes only and form no part of the claimed design.

1 Claim, 4 Drawing Sheets



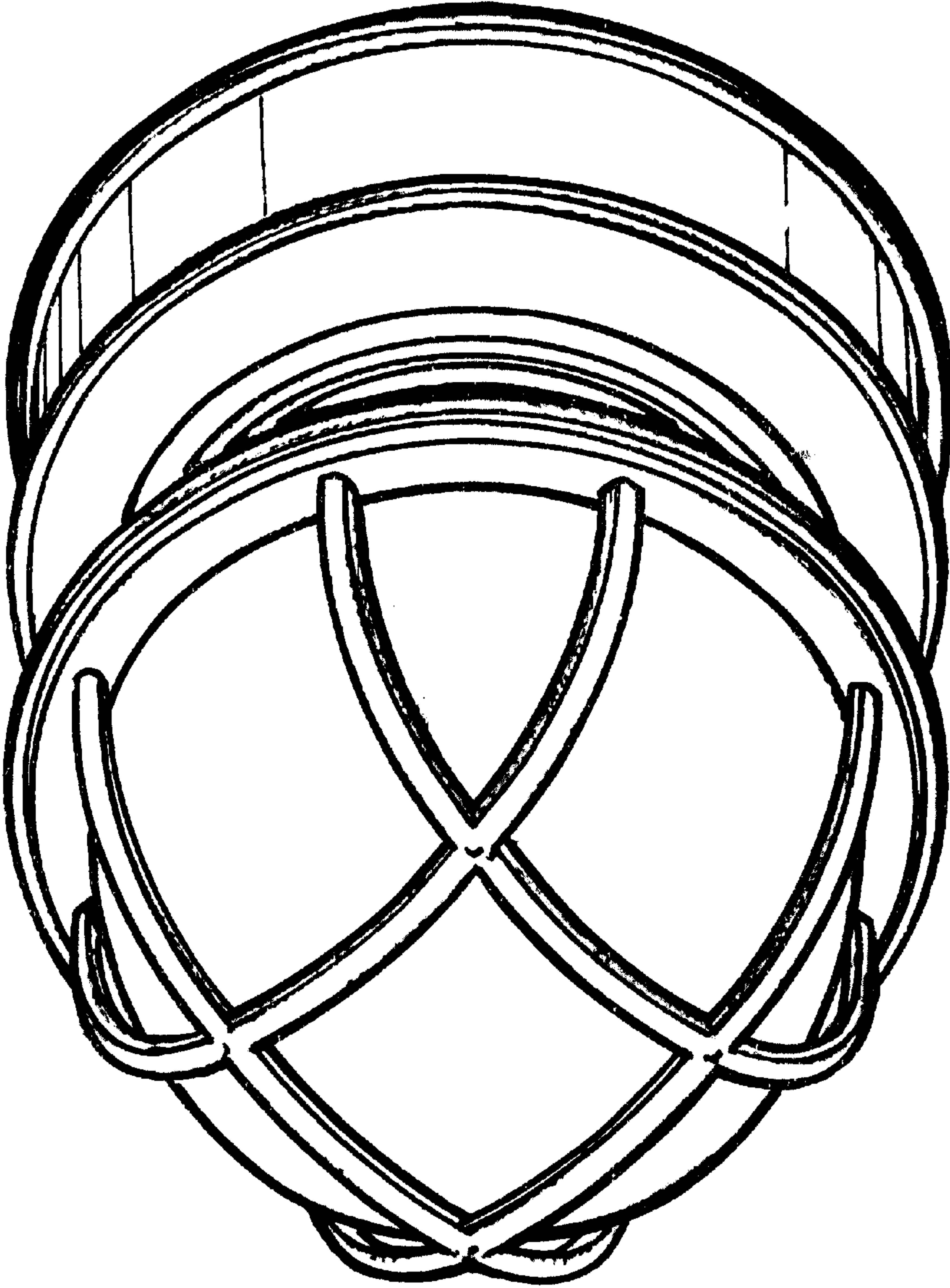


FIGURE 1

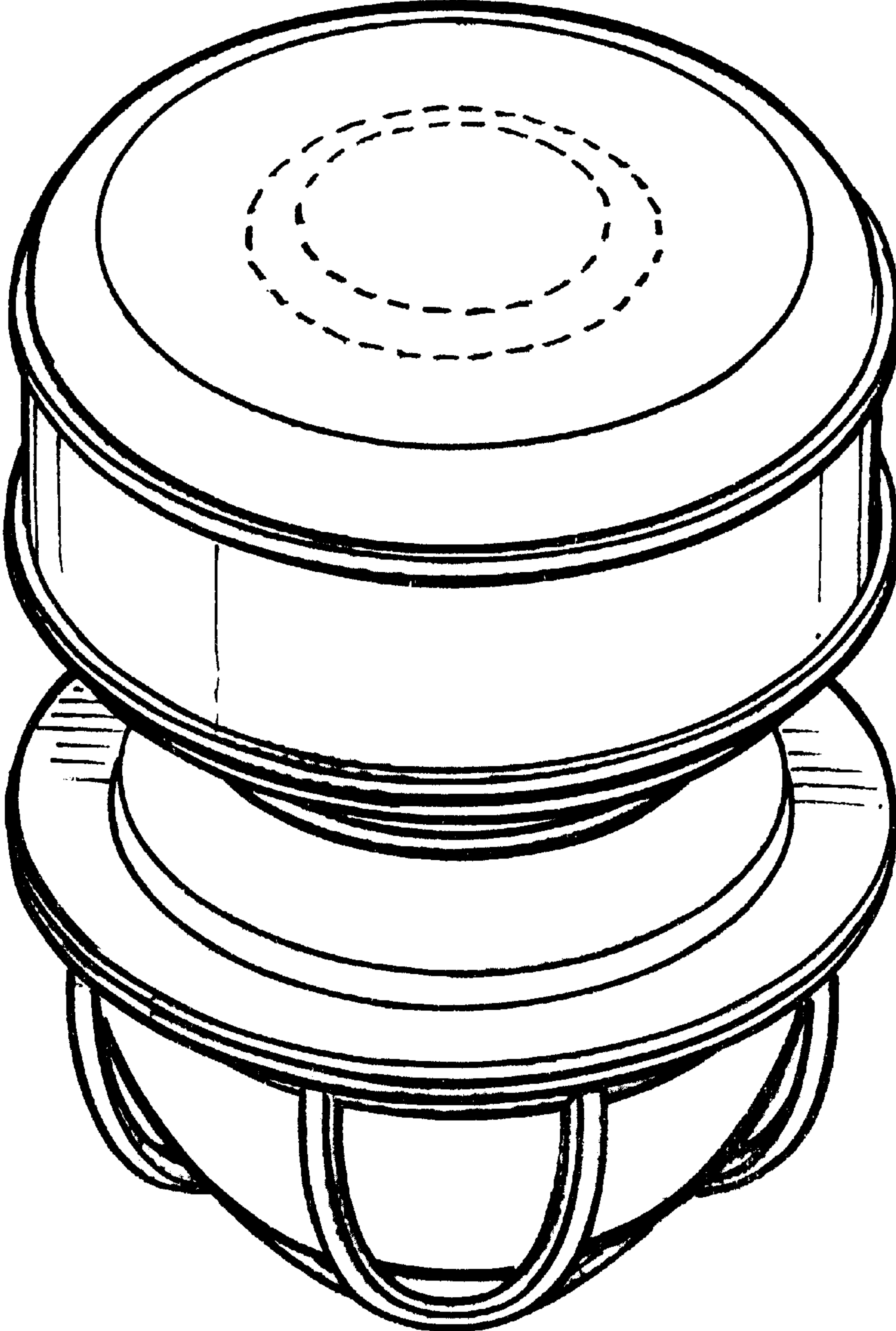


FIGURE 2

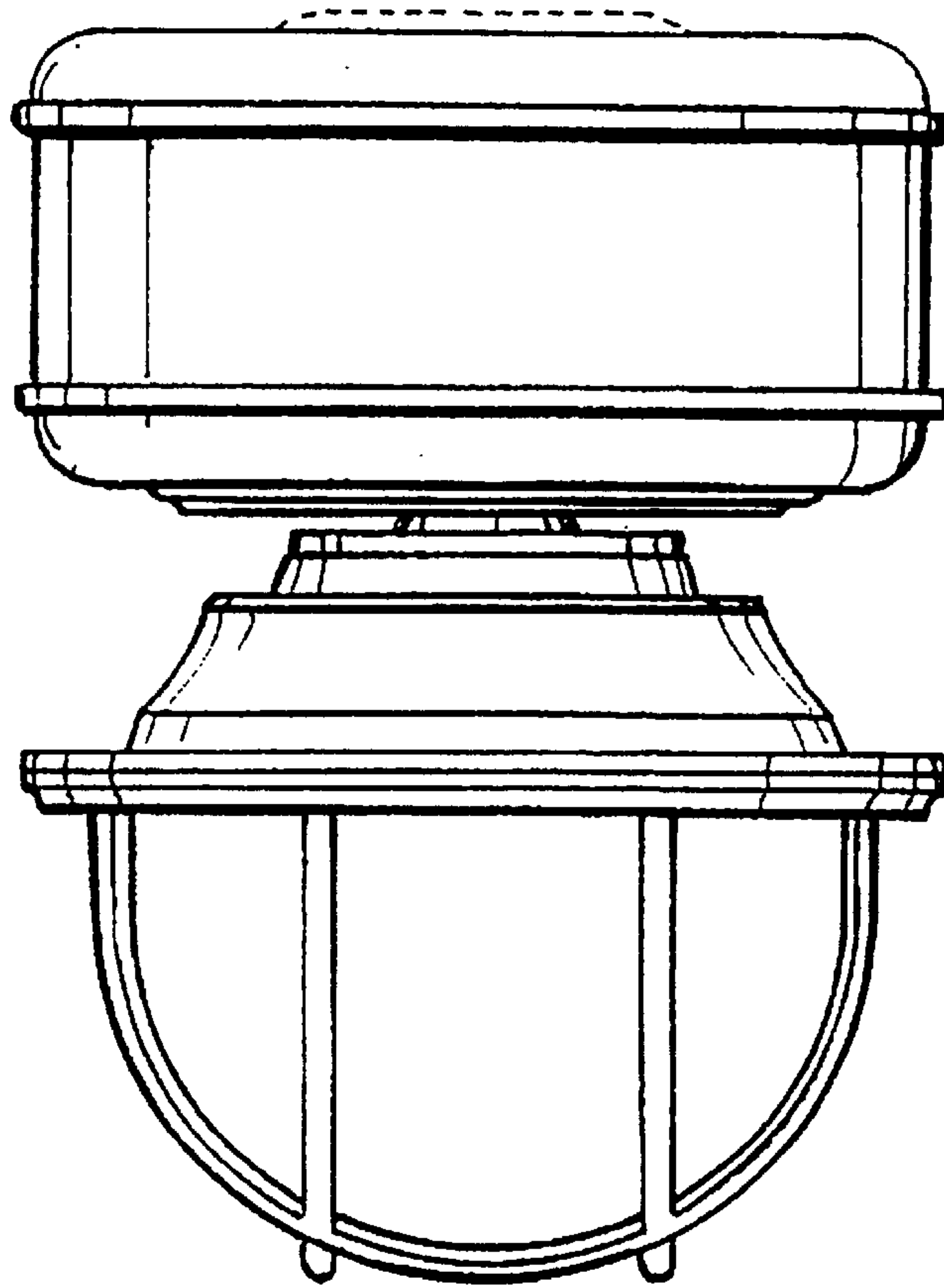
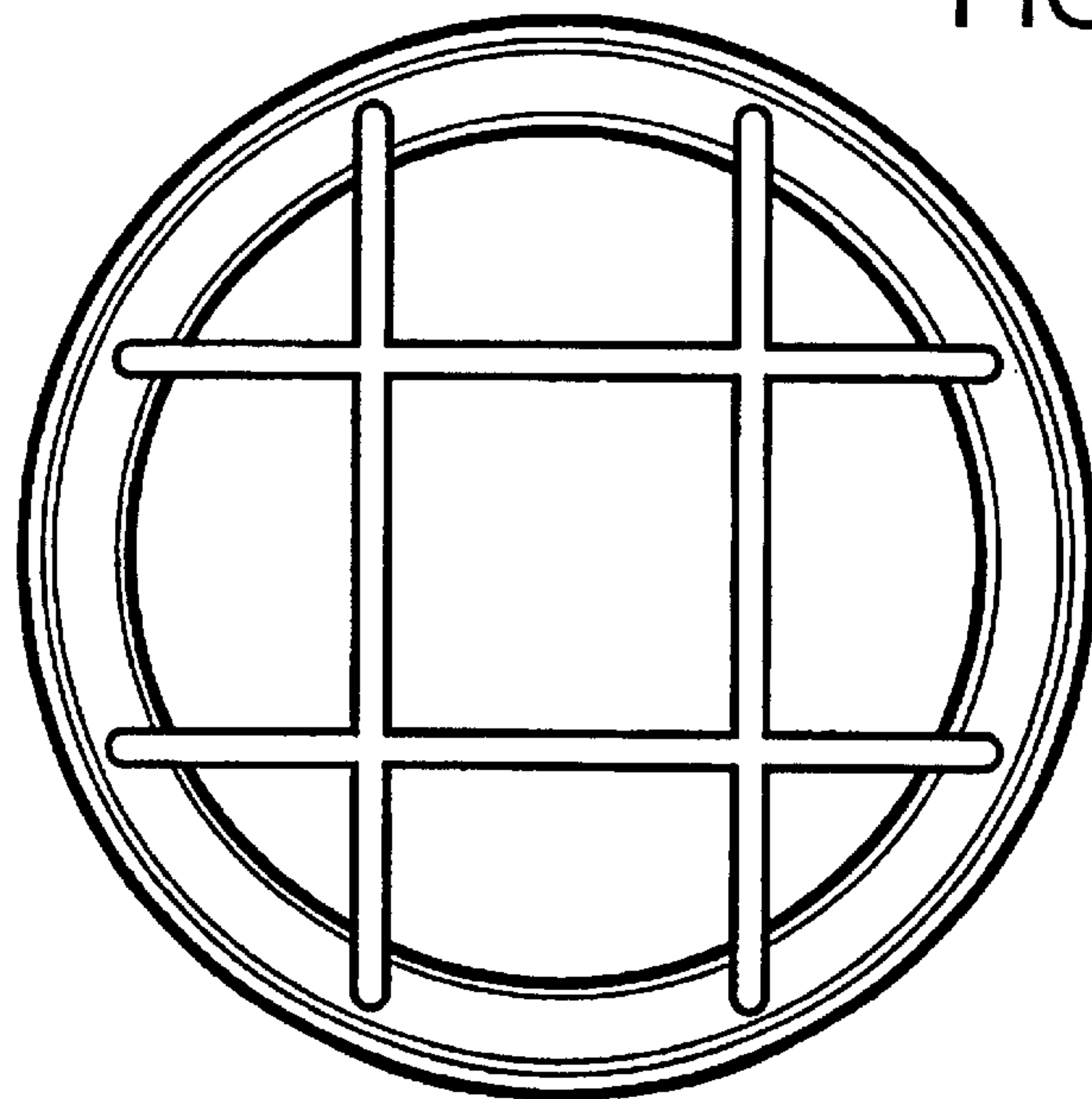


FIGURE 3

FIGURE 4



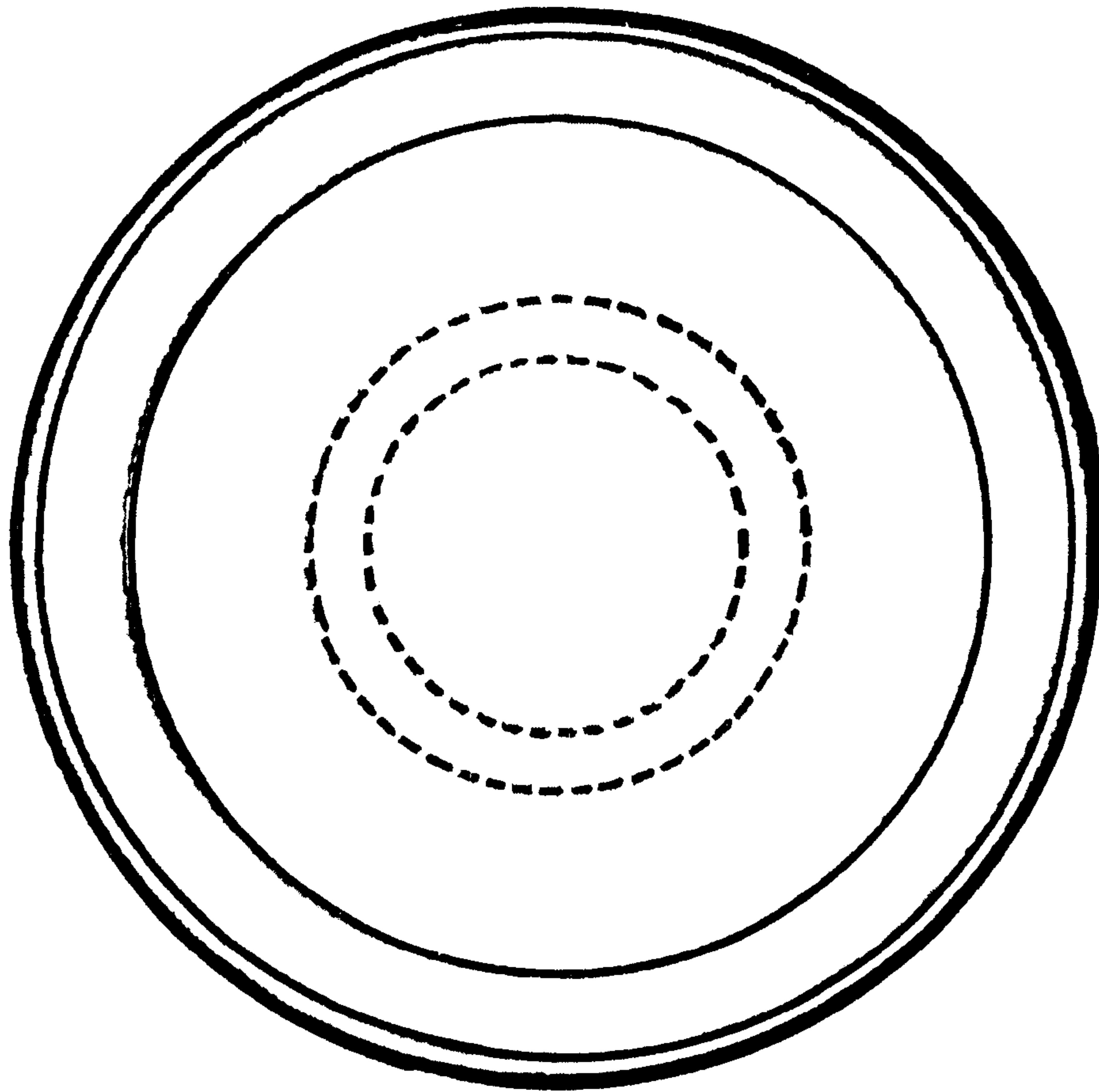


FIGURE 5