



US00D516199S

(12) **United States Design Patent**
Frampton et al.

(10) **Patent No.:** **US D516,199 S**
(45) **Date of Patent:** **** Feb. 28, 2006**

(54) **FAN ASSEMBLY**

(75) Inventors: **Thomas C. Frampton**, Zionsville, IN (US); **Tania N. Frampton**, Zionsville, IN (US)

(73) Assignee: **Fanimation, Inc.**, Zionsville, IN (US)

(**) Term: **14 Years**

(21) Appl. No.: **29/220,859**

(22) Filed: **Jan. 7, 2005**

(51) **LOC (8) Cl.** **23-04**

(52) **U.S. Cl.** **D23/411**

(58) **Field of Classification Search** D23/377,
D23/379, 385, 411; 416/5
See application file for complete search history.

(56) **References Cited**

U.S. PATENT DOCUMENTS

D356,152 S	*	3/1995	Collmar	D23/377
D425,610 S	*	5/2000	Gee, II	D23/377
D426,879 S		6/2000	Gajewski		
D434,844 S	*	12/2000	Williams	D23/377
D479,872 S		9/2003	Young		
D482,436 S		11/2003	Young		

* cited by examiner

Primary Examiner—Lisa Lichtenstein

(74) *Attorney, Agent, or Firm*—Maginot Moore & Beck

(57) **CLAIM**

The ornamental design for a fan assembly, as shown and described.

DESCRIPTION

FIG. 1 is a front, bottom perspective view of a fan assembly showing our new design;

FIG. 2 is a rear elevational view showing the design for the fan assembly of FIG. 1;

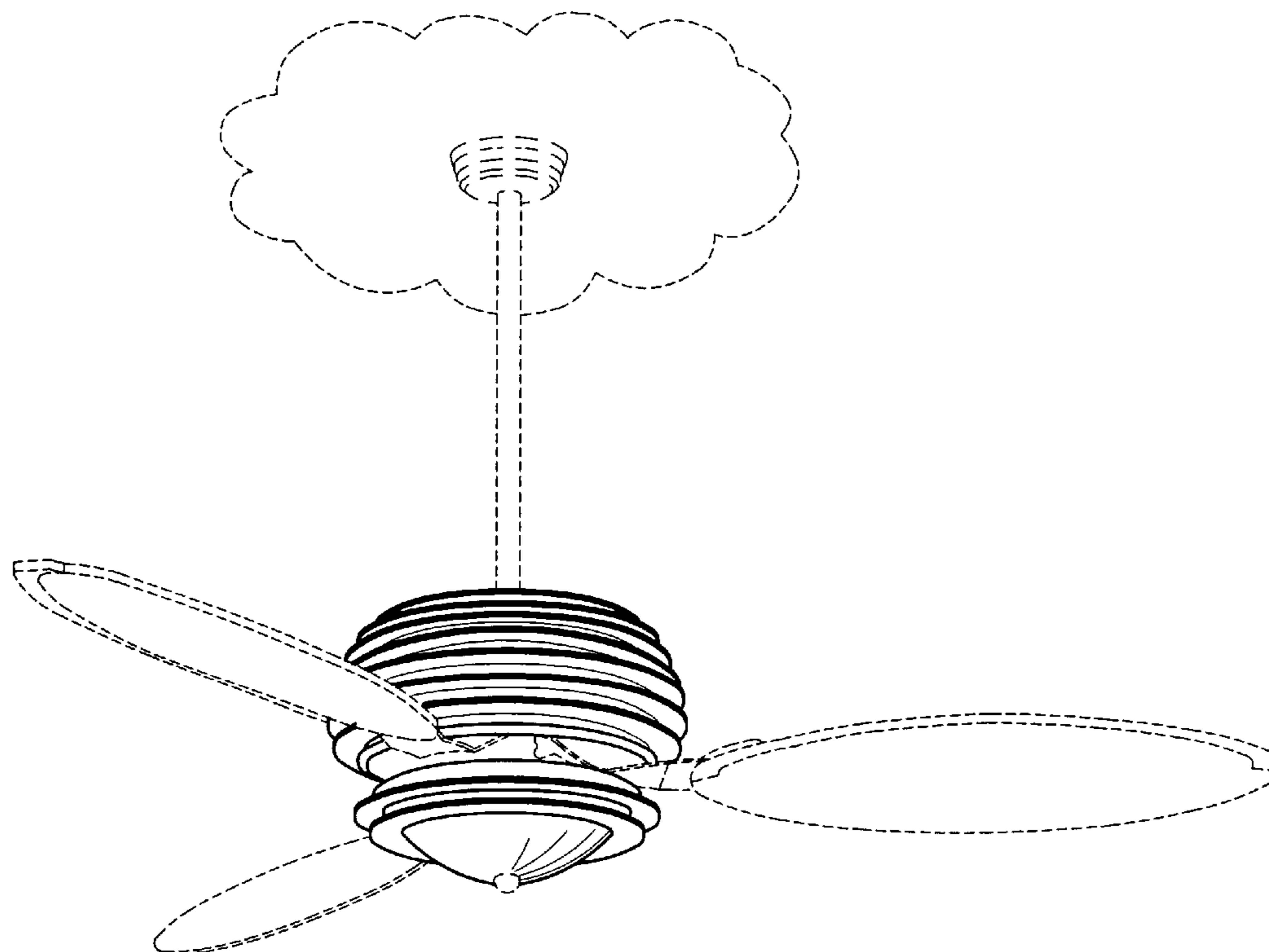
FIG. 3 is a right side elevational view showing the design for the fan assembly of FIG. 1;

FIG. 4 is a top plan view showing the design for the fan assembly of FIG. 1; and,

FIG. 5 is a bottom plan view showing the design for the fan assembly of FIG. 1.

In FIGS. 1–5, the broken line showing of various items including (i) the central vertical support member (FIGS. 1–4), (ii) a portion of the ceiling to which the central vertical support member is attached (FIG. 1), (iii) an upper portion of the motor housing portion (FIG. 4), (iv) the fan blades and associated mounting apparatus (FIGS. 1–5), and (v) the fastener member located at the lower apex of the fan assembly (FIGS. 1–3 and 5) is for illustrative purposes only and forms no part of the claimed design.

1 Claim, 5 Drawing Sheets



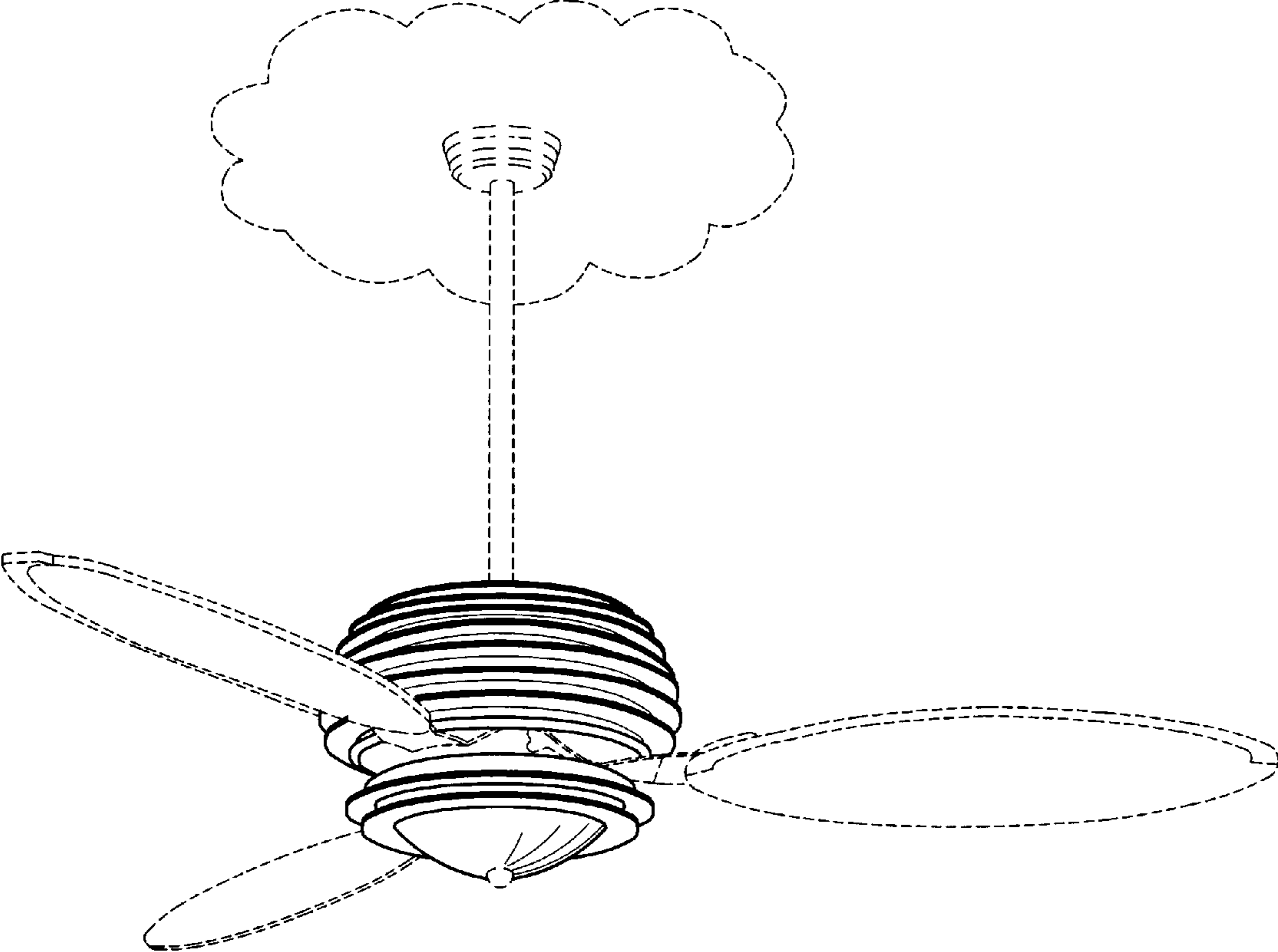


Fig. 1

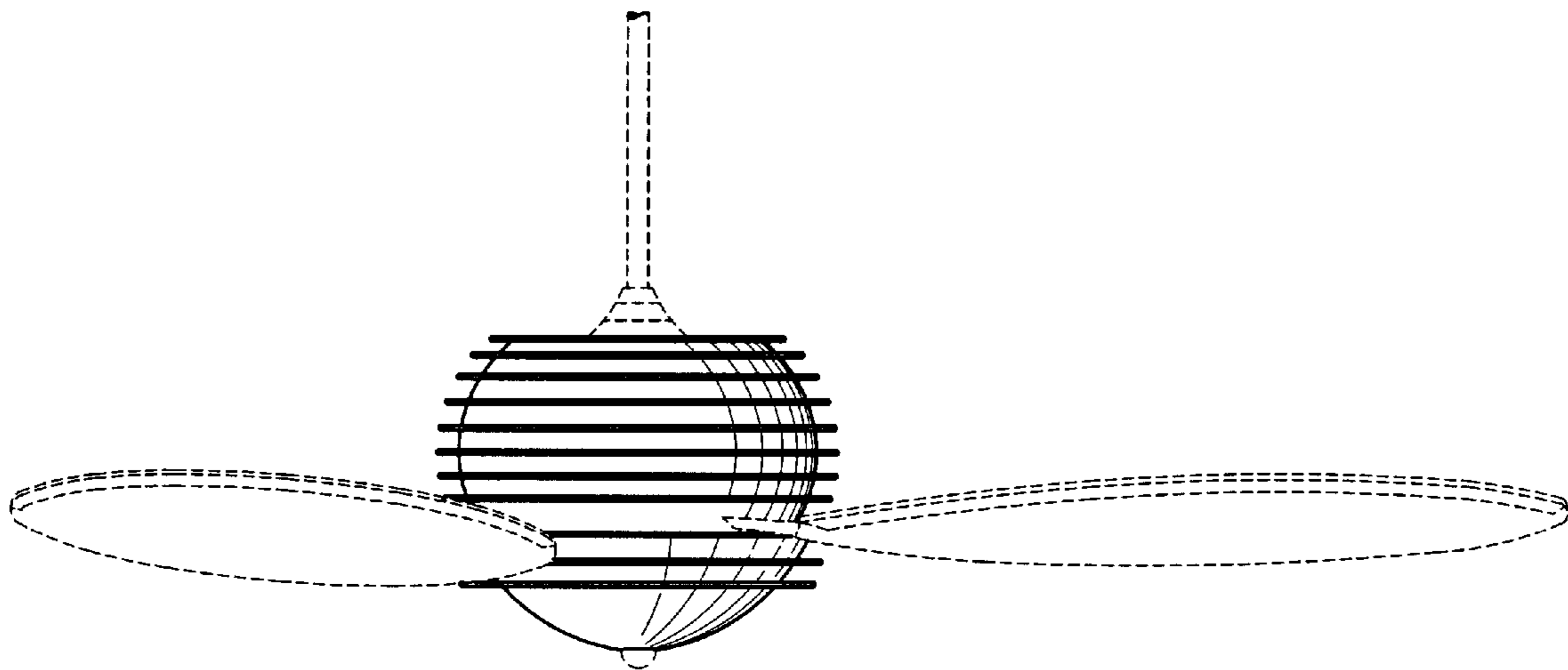


Fig. 2

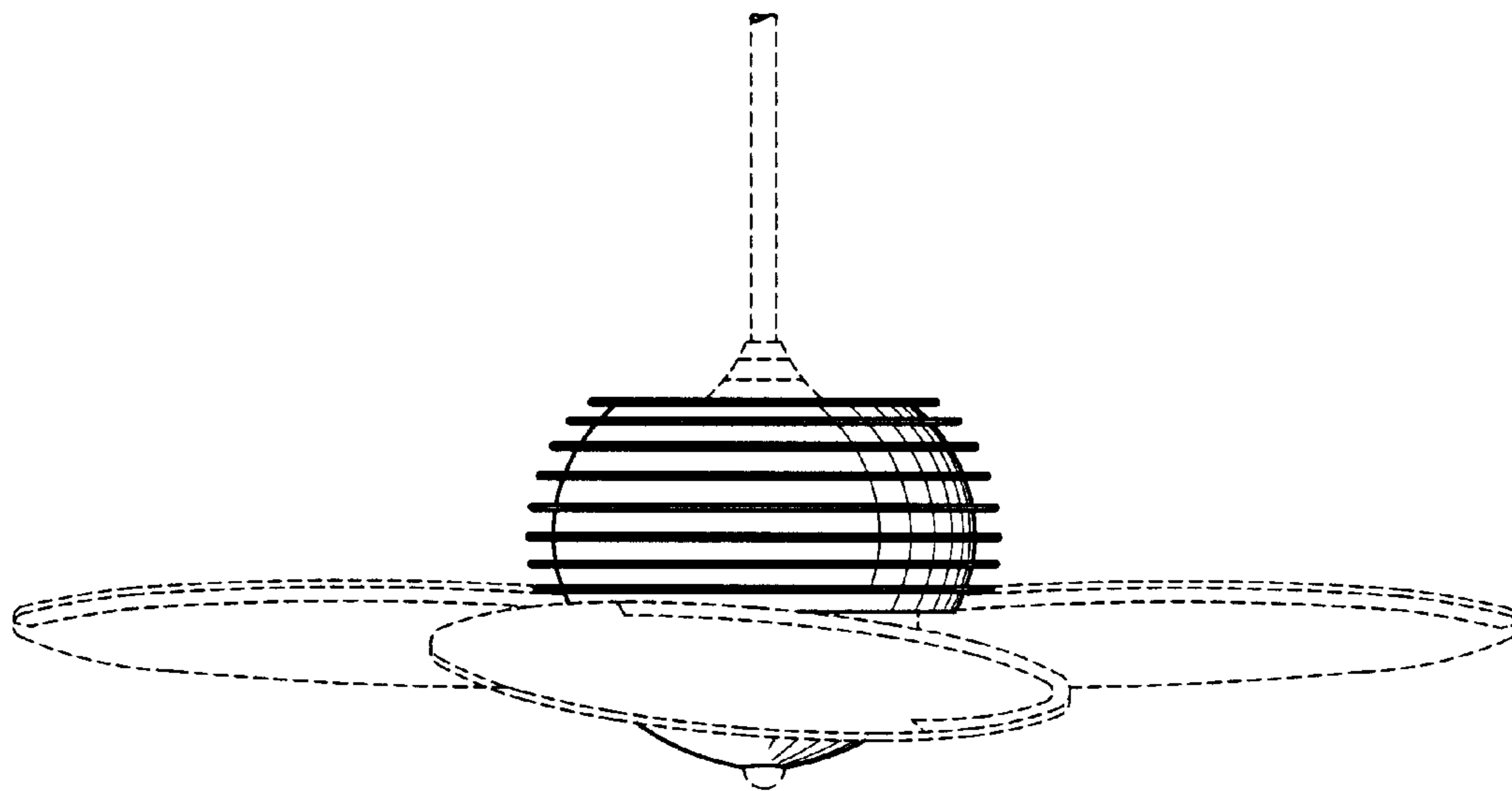


Fig. 3

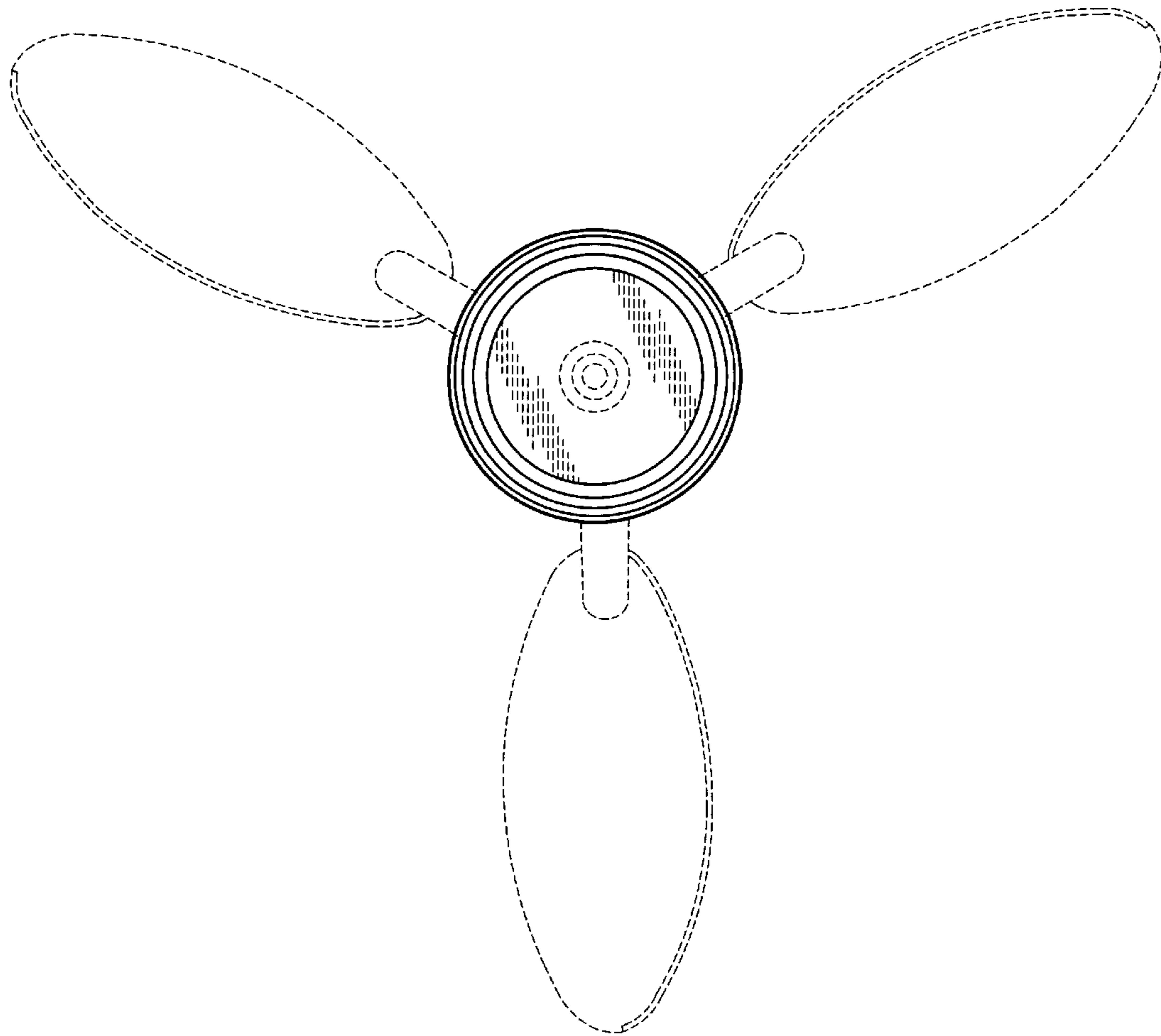


Fig. 4

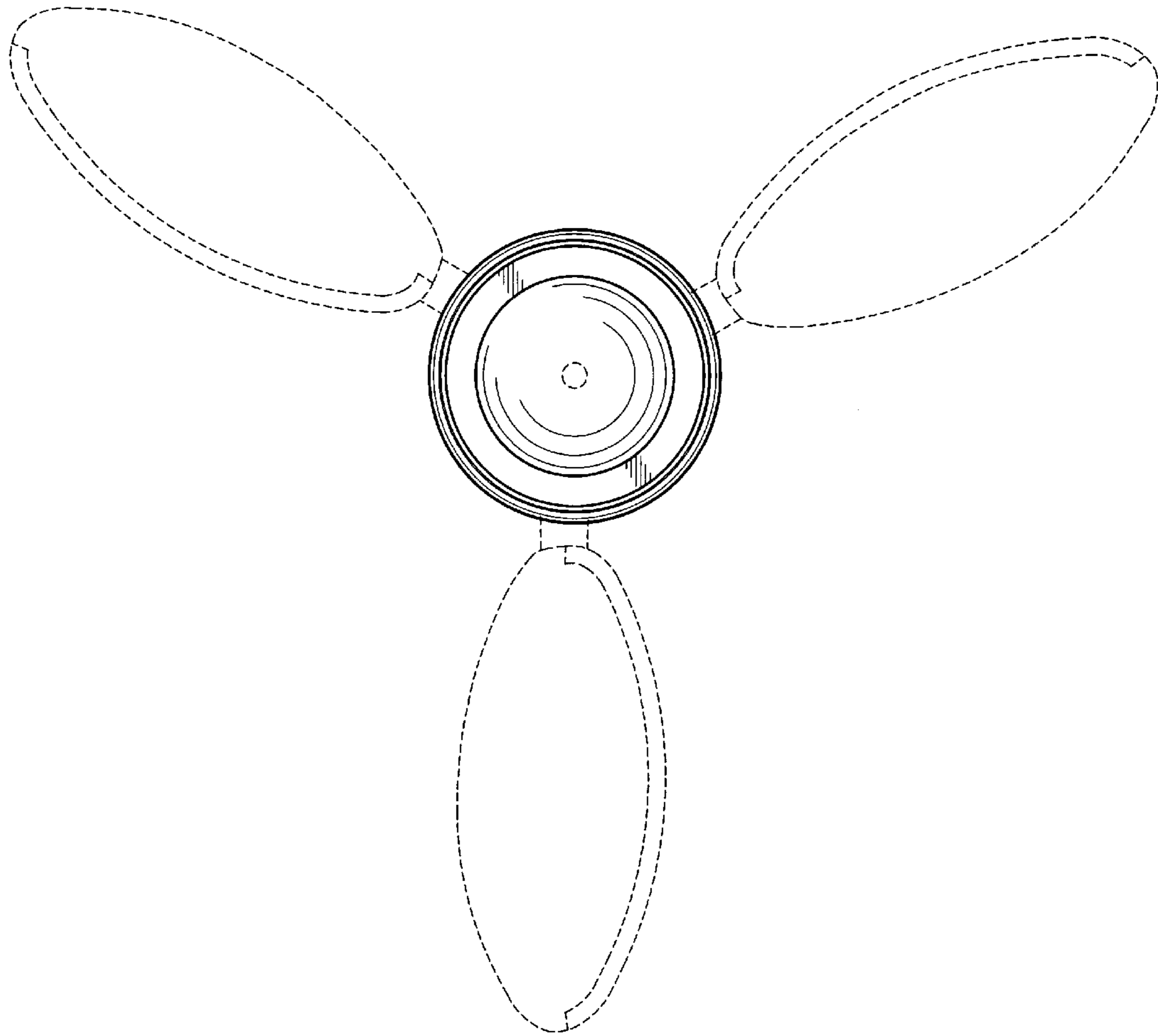


Fig. 5