



US00D516197S

(12) **United States Design Patent** (10) **Patent No.:** **US D516,197 S**
Young (45) **Date of Patent:** **** Feb. 28, 2006**

(54) **COMBINED CEILING FAN HOUSING AND BLADE IRON ASSEMBLY**

(75) Inventor: **Stanfield Young**, Garden Grove, CA (US)

(73) Assignee: **Minka Lighting, Inc.**, Corona, CA (US)

(**) Term: **14 Years**

(21) Appl. No.: **29/193,886**

(22) Filed: **Nov. 13, 2003**

(51) **LOC (8) Cl.** **23-04**

(52) **U.S. Cl.** **D23/411**

(58) **Field of Classification Search** D23/377,
D23/379, 385, 411, 413; 416/5; 362/96; D26/59,
D26/51, 81-86, 72

See application file for complete search history.

(56) **References Cited**

U.S. PATENT DOCUMENTS

D434,133 S	*	11/2000	Johnson	D23/411
D480,796 S	*	10/2003	Young	D23/411
D481,450 S		10/2003	Young	D23/377
D481,454 S	*	10/2003	Young	D23/411
D482,773 S	*	11/2003	Young	D23/411

OTHER PUBLICATIONS

- U.S. Appl. No. 29/193,834, filed Nov. 13, 2003, Stanfield Young.
 U.S. Appl. No. 29/193,873, filed Nov. 13, 2003, Stanfield Young.
 U.S. Appl. No. 29/193,884, filed Nov. 13, 2003, Stanfield Young.
 U.S. Appl. No. 10/196,481, filed Jul. 15, 2002, Stanfield Young.
 U.S. Appl. No. 29/190,991, filed Sep. 29, 2003, Stanfield Young.
 U.S. Appl. No. 29/191,015, filed Sep. 29, 2003, Stanfield Young.

U.S. Appl. No. 29/191,033, filed Sep. 29, 2003, Stanfield Young.

Minka Aire Two Thousand Two; pp. 2, 3, Apr. 22, 2002, Minka Lighting, Inc. USA.

Minka Aire Two Thousand Three; pp. 2, 3, Jan. 2003, Minka Lighting, Inc. USA.

* cited by examiner

Primary Examiner—Lisa Lichtenstein

(74) *Attorney, Agent, or Firm*—Baker & McKenzie LLP

(57) **CLAIM**

The ornamental design for a combined ceiling fan housing and blade iron assembly, as shown and described.

DESCRIPTION

FIG. 1 is a perspective view from below of a combined ceiling fan housing and blade iron assembly in accordance with my design;

FIG. 2 is an enlarged perspective view from below of a combined ceiling fan housing and blade iron assembly, in accordance with my design;

FIG. 3 is a reduced bottom plan view of the combined ceiling fan housing and blade iron assembly in accordance with my design;

FIG. 4 is a reduced top plan view of the combined ceiling fan housing and blade iron assembly in accordance with my design;

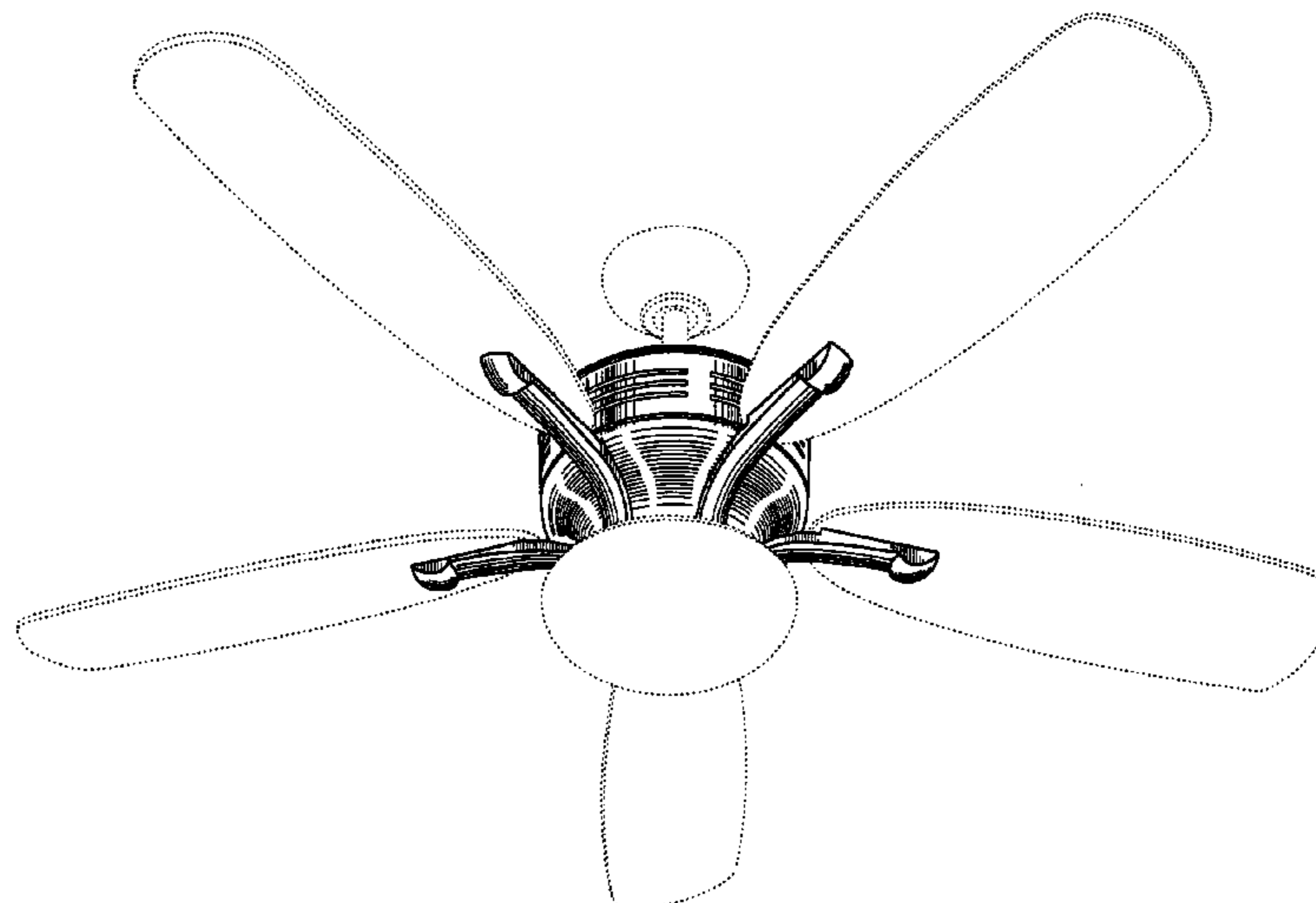
FIG. 5 is a front elevation view of the combined ceiling fan housing and blade iron assembly in accordance with my design; and,

FIG. 6 is a side elevation view of the combined ceiling fan housing and blade iron assembly in accordance with my design.

FIGS. 5 and 6 are identical except for the positioning of the fan blades.

The broken lines showing environmental structure are for illustrative purposes and form no part of the claimed design.

1 Claim, 6 Drawing Sheets



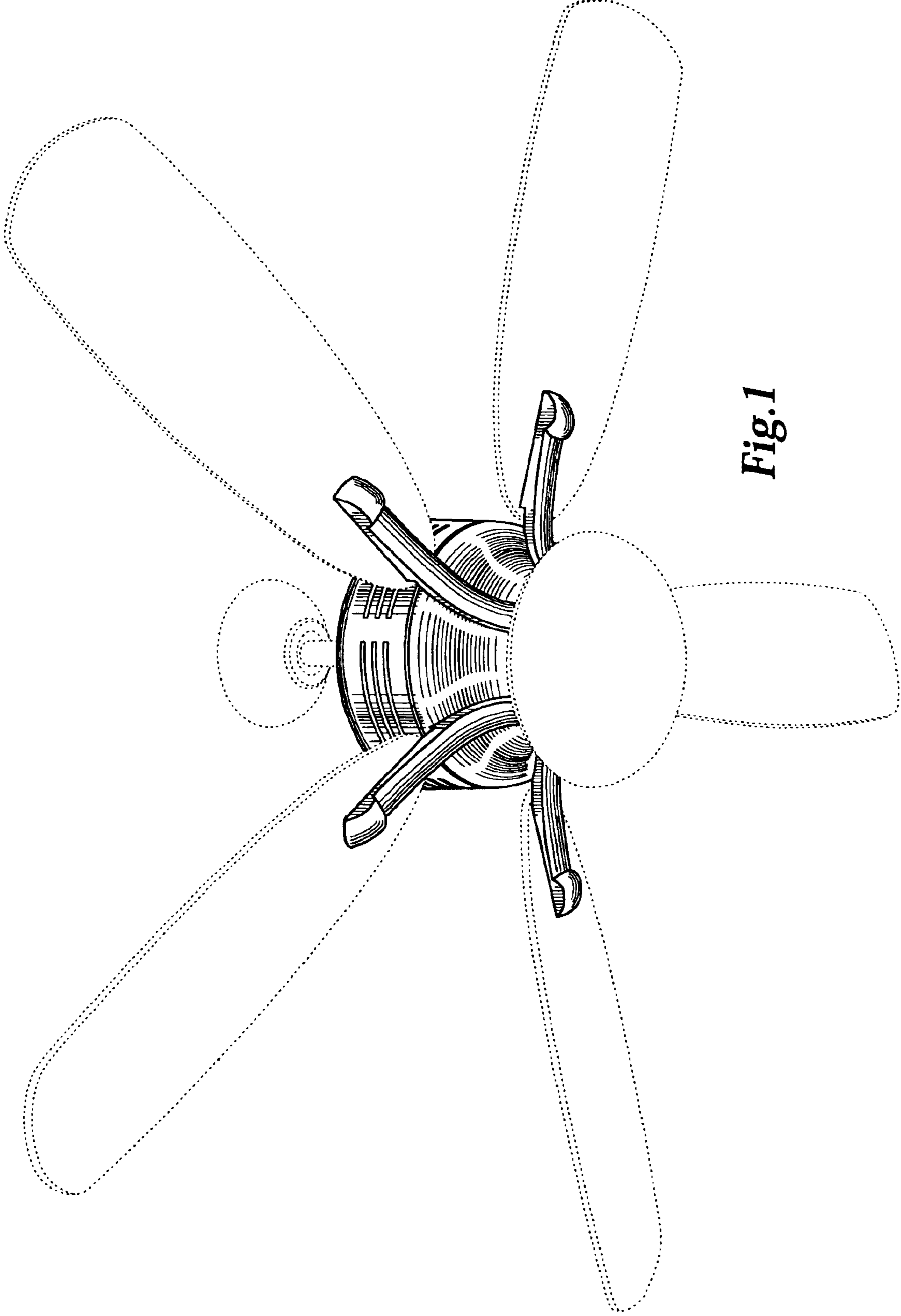


Fig. 1

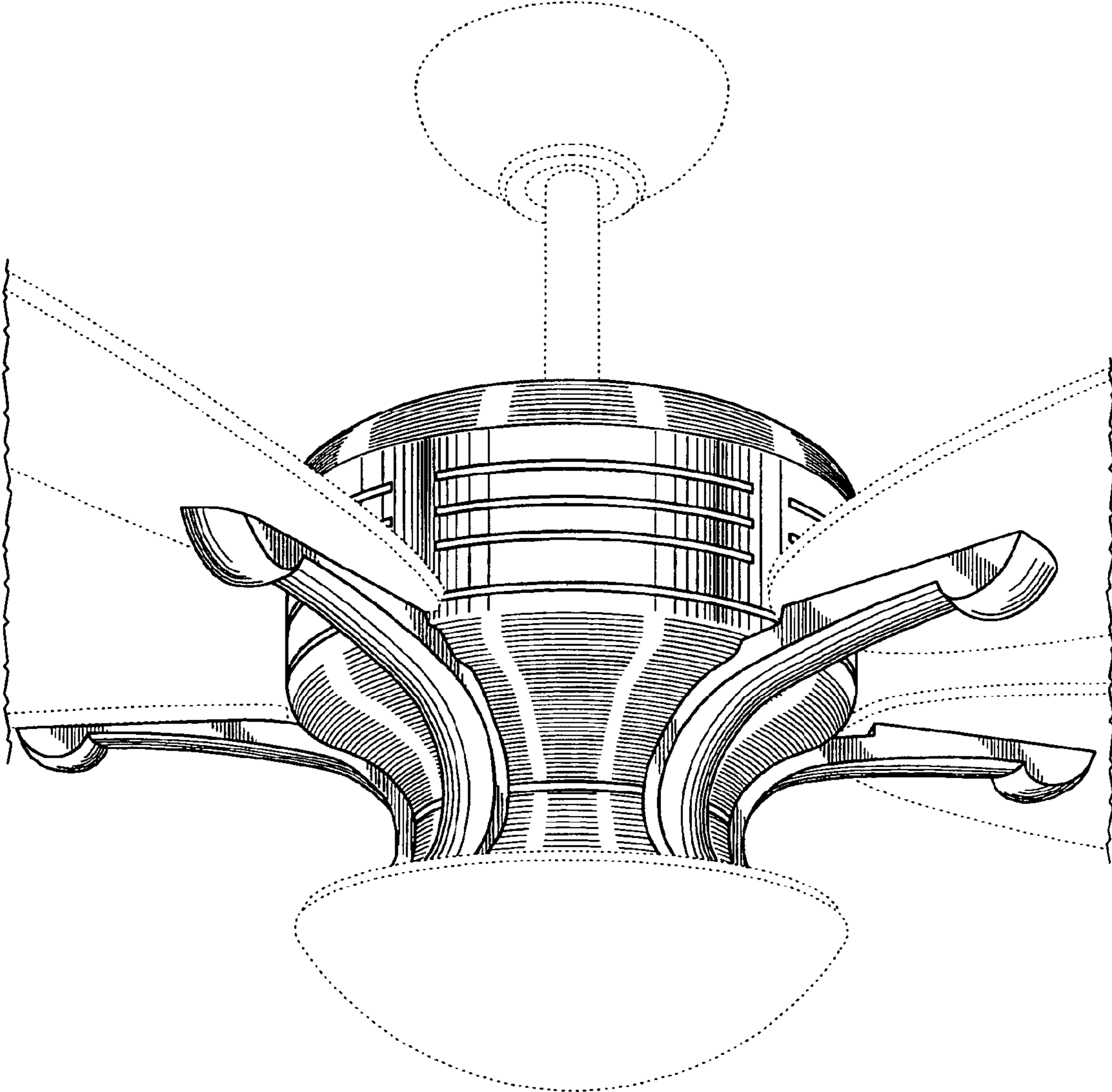


Fig.2

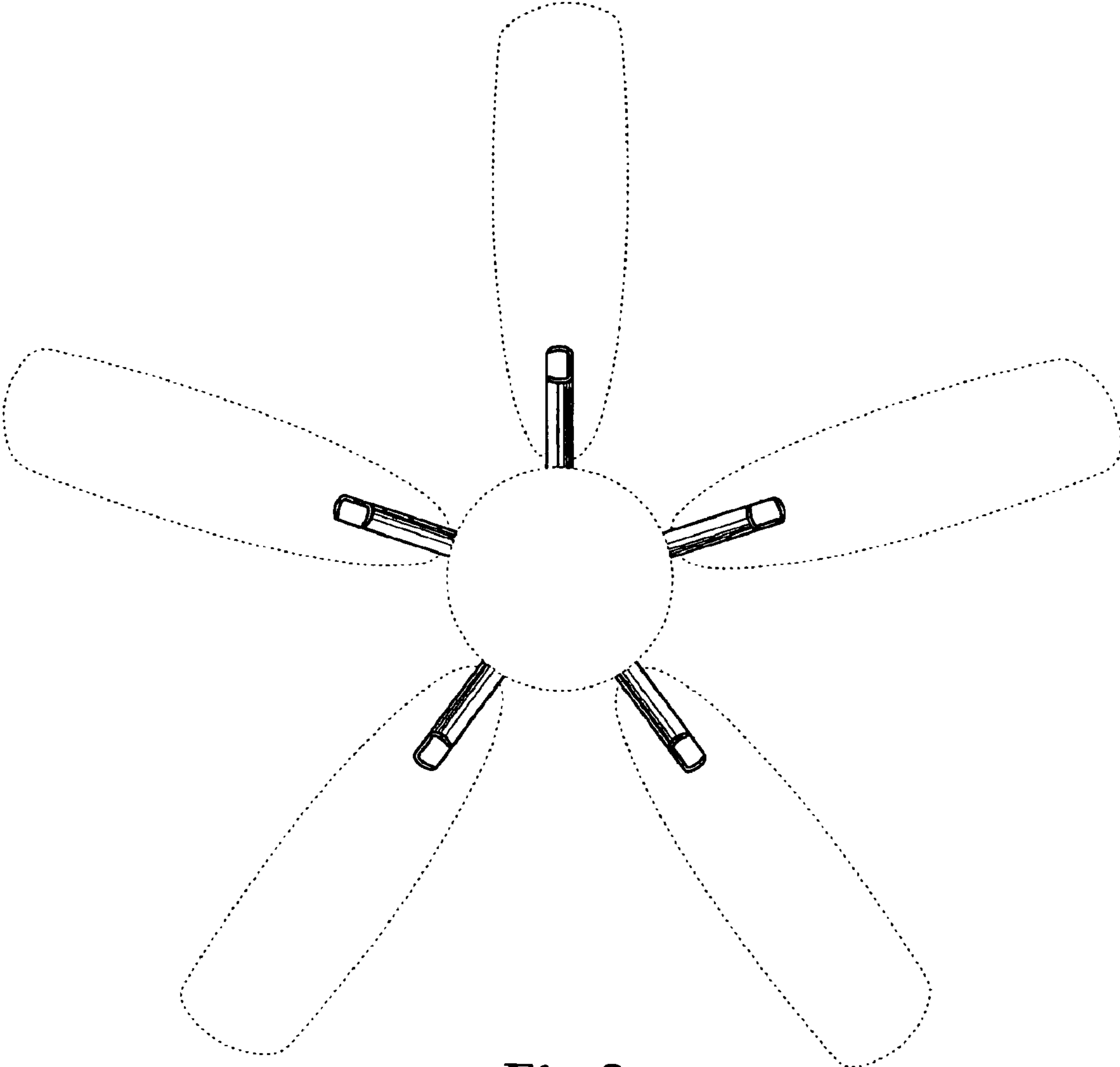


Fig.3

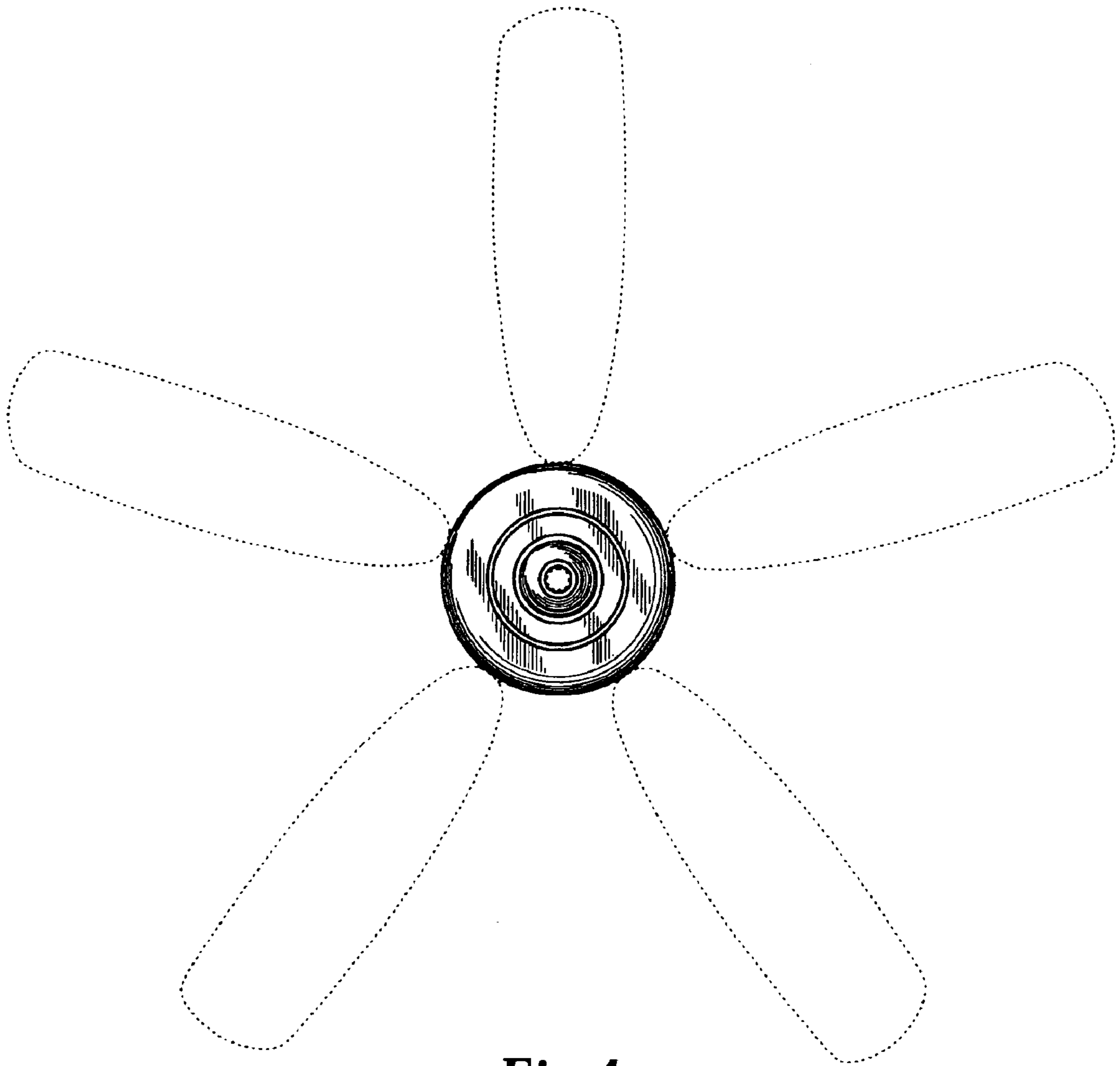


Fig. 4

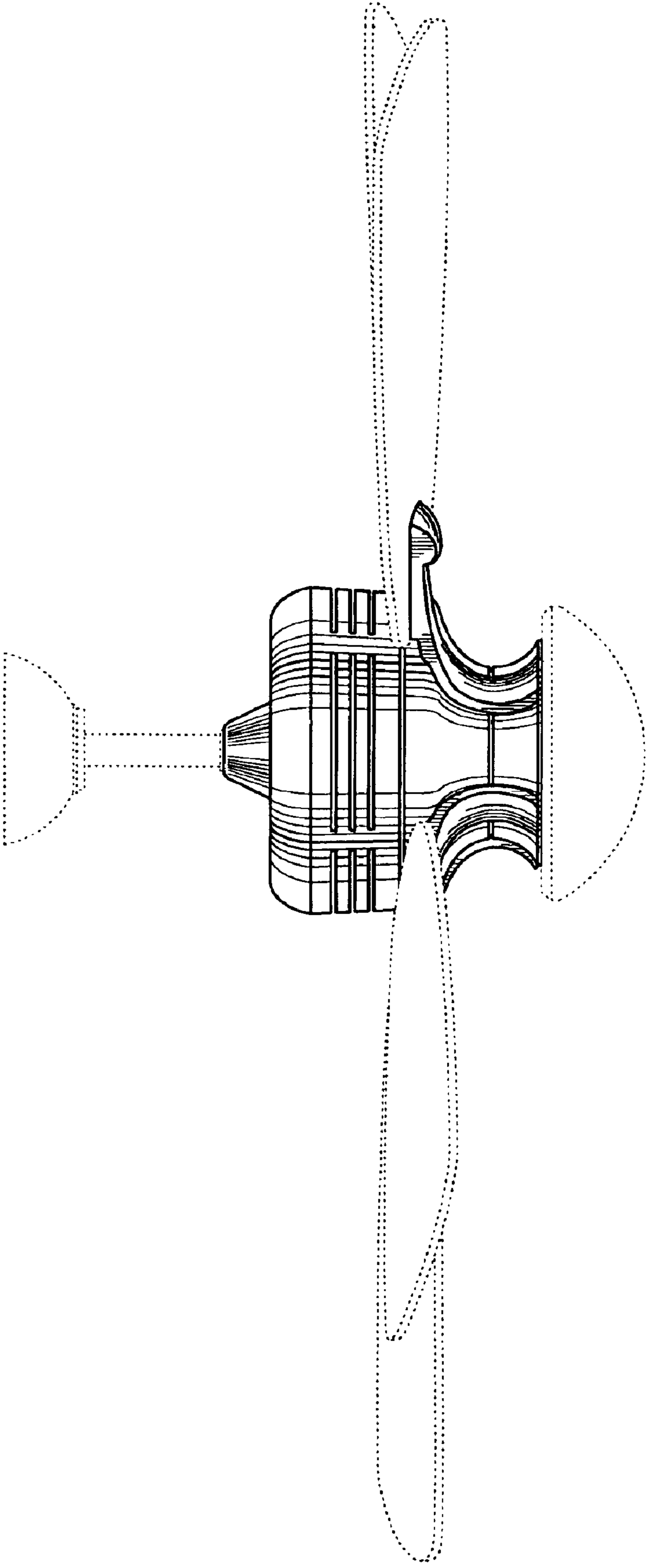


Fig.5

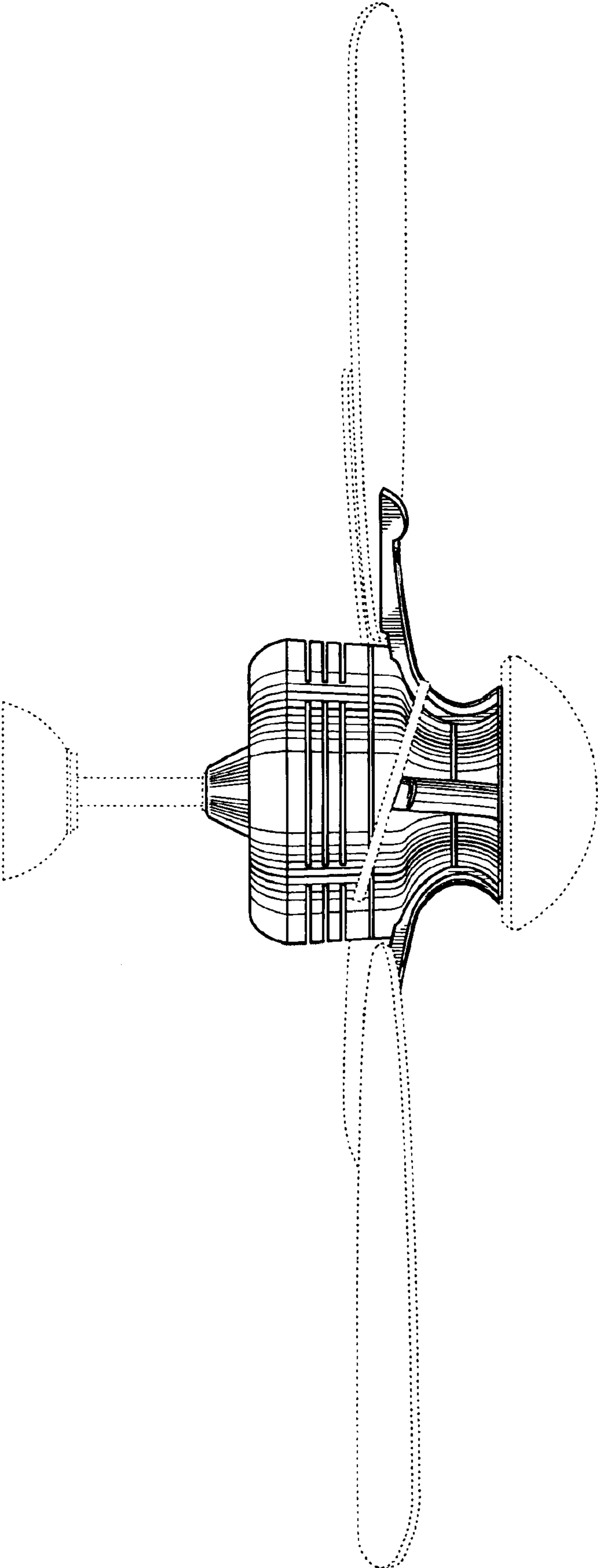


Fig. 6