



US00D516195S

(12) **United States Design Patent** (10) **Patent No.:** **US D516,195 S**
Hidalgo (45) **Date of Patent:** **** Feb. 28, 2006**

(54) **COMBINATION CEILING FAN AND LIGHT FIXTURE**

(75) Inventor: **Rolando Hidalgo**, Orange, CA (US)

(73) Assignee: **Minka Lighting, Inc.**, Corona, CA (US)

(**) Term: **14 Years**

(21) Appl. No.: **29/226,756**

(22) Filed: **Mar. 31, 2005**

(51) **LOC (8) Cl.** **23-04**

(52) **U.S. Cl.** **D23/377; D23/379; D23/385**

(58) **Field of Classification Search** **D23/377, D23/379, 385, 411, 413; 416/5; D26/59, D26/72, 81-88**

See application file for complete search history.

(56) **References Cited**

U.S. PATENT DOCUMENTS

- D408,516 S * 4/1999 Tai D23/377
- D470,931 S * 2/2003 Hidalgo D23/377
- D475,776 S * 6/2003 Gajewski D23/377

OTHER PUBLICATIONS

MinkaAire Internet Catalog; Adare; Model #F706-DRB; printed from www.fanshack.com on May 11, 2005.
MinkaAire Internet Catalog; Mystique; Model #F611-GBZ; printed from www.fanshack.com on May 11, 2005.

Emerson Internet Catalog; High Country; Model # KF160OI; printed from www.hansenwholesale.com on Apr. 21, 2005.

Emerson Internet Catalog; Contours; Model # EM-KF140AP; printed from www.hansenwholesale.com on Apr. 21, 2005.

* cited by examiner

Primary Examiner—Lisa Lichtenstein

(74) *Attorney, Agent, or Firm*—Baker & McKenzie LLP

(57) **CLAIM**

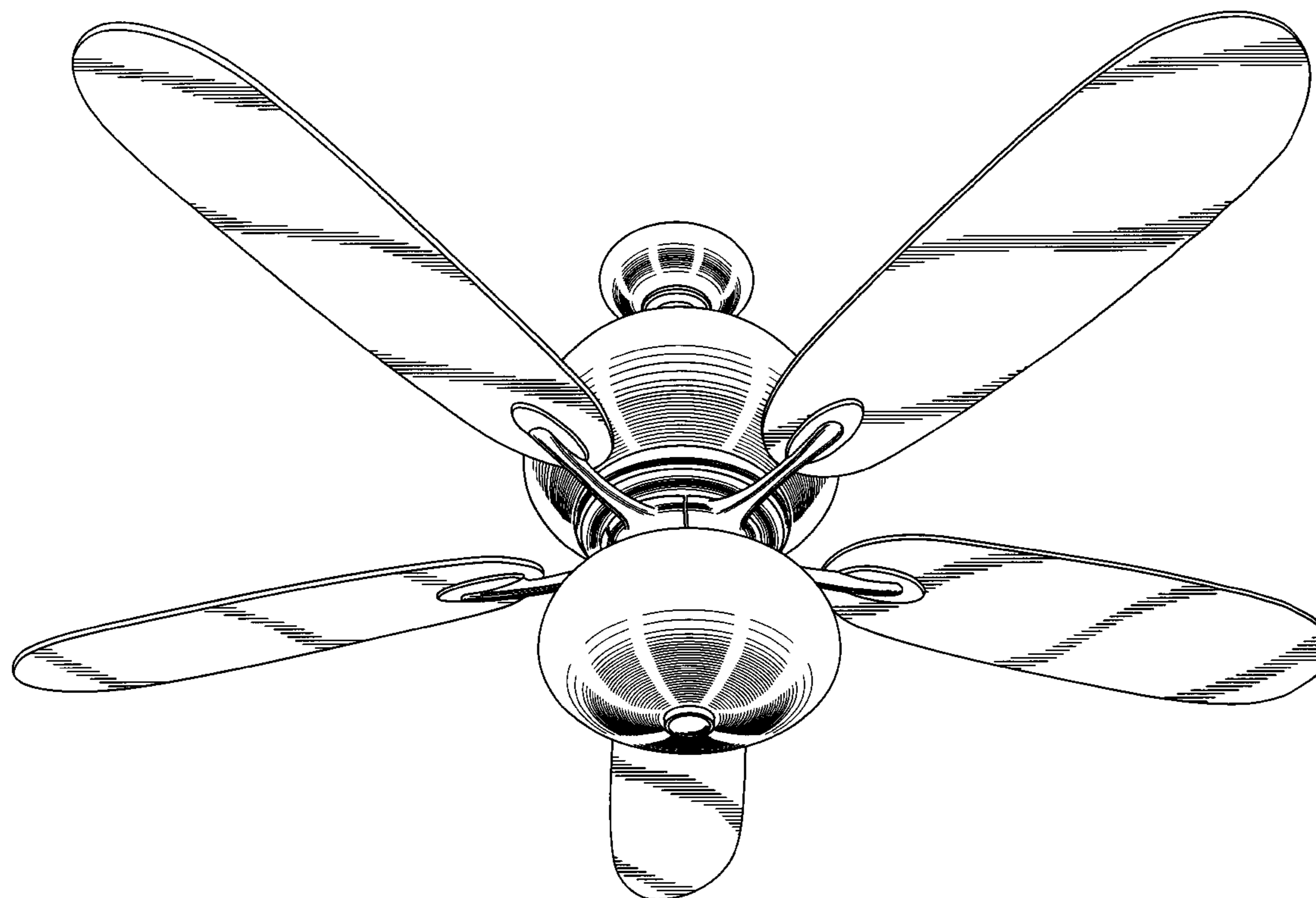
The ornamental design for a combination ceiling fan and light fixture, as shown and described.

DESCRIPTION

FIG. 1 is a perspective view from below of a combination ceiling fan and light fixture in accordance with my design; FIG. 2 is a reduced bottom plan view of the combination ceiling fan and light fixture in accordance with my design; FIG. 3 is a reduced top plan view of the combination ceiling fan and light fixture in accordance with my design; FIG. 4 is a front elevation view of the combination ceiling fan and light fixture in accordance with my design; and, FIG. 5 is a side elevation view of the combination ceiling fan and light fixture in accordance with my design. FIGS. 4 and 5 are identical except for the positioning of the fan blades.

The broken lines showing environmental structure are for illustrative purposes and form no part of the claimed design.

1 Claim, 5 Drawing Sheets



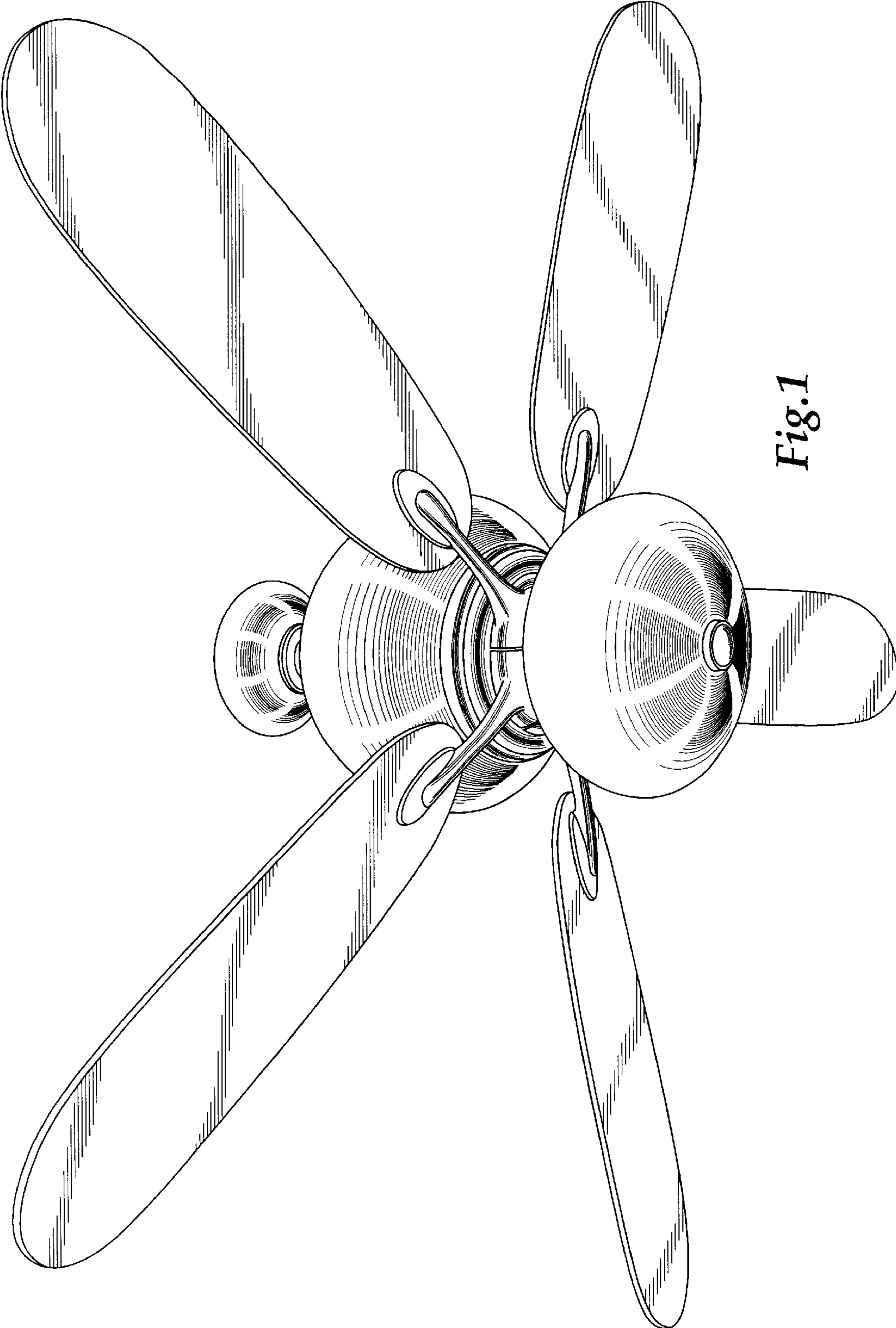


Fig. 1

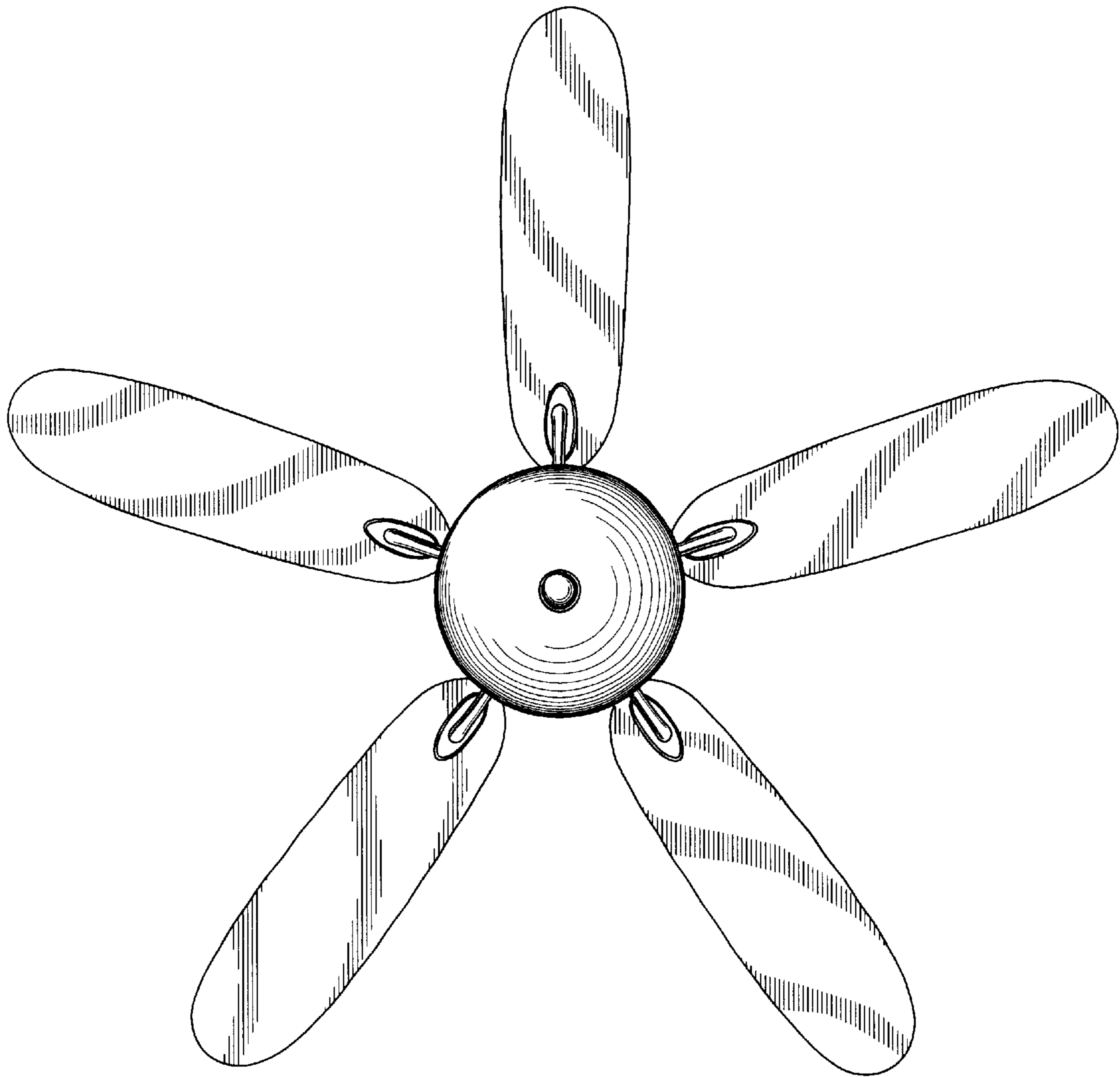


Fig.2

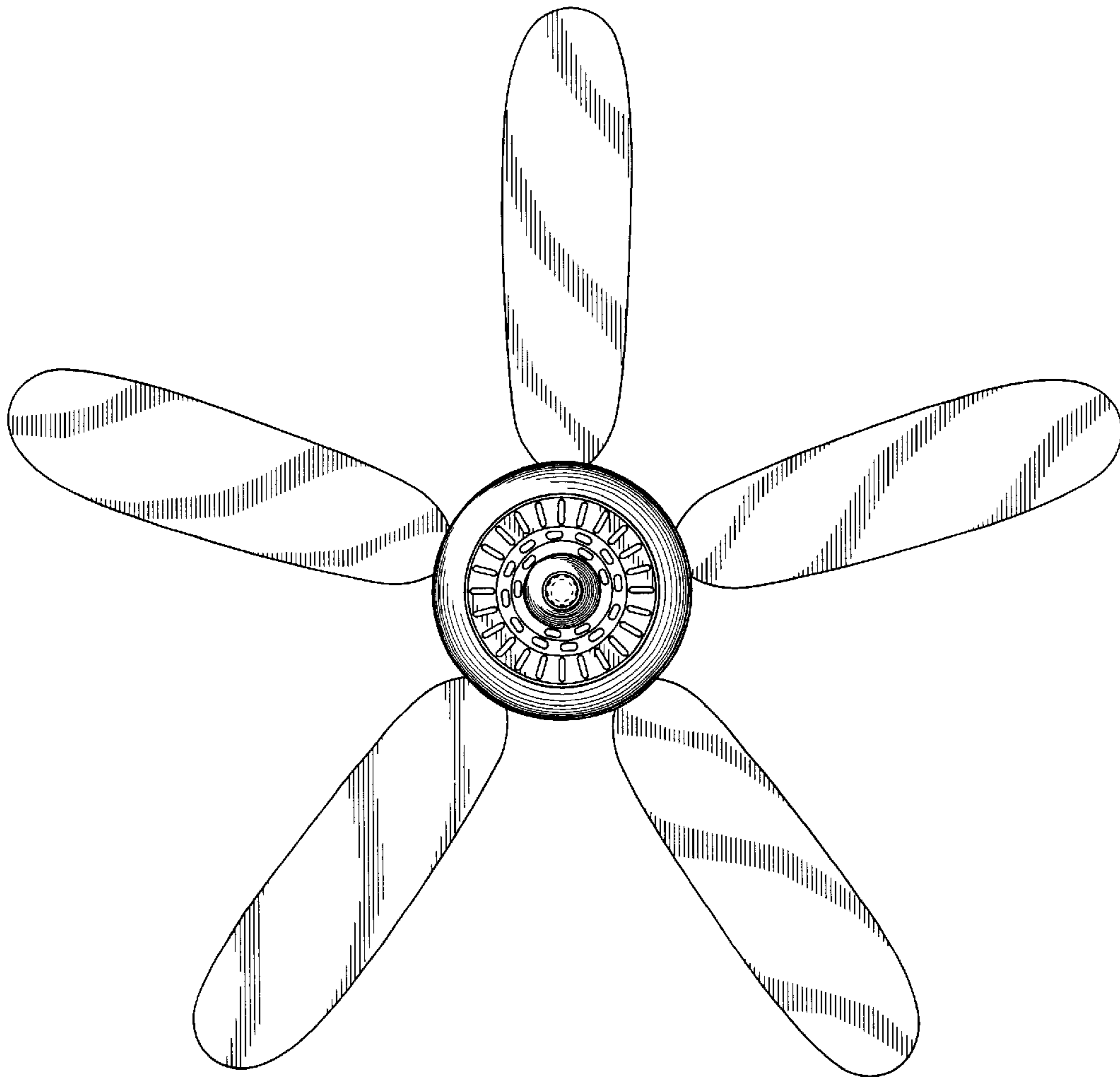


Fig.3

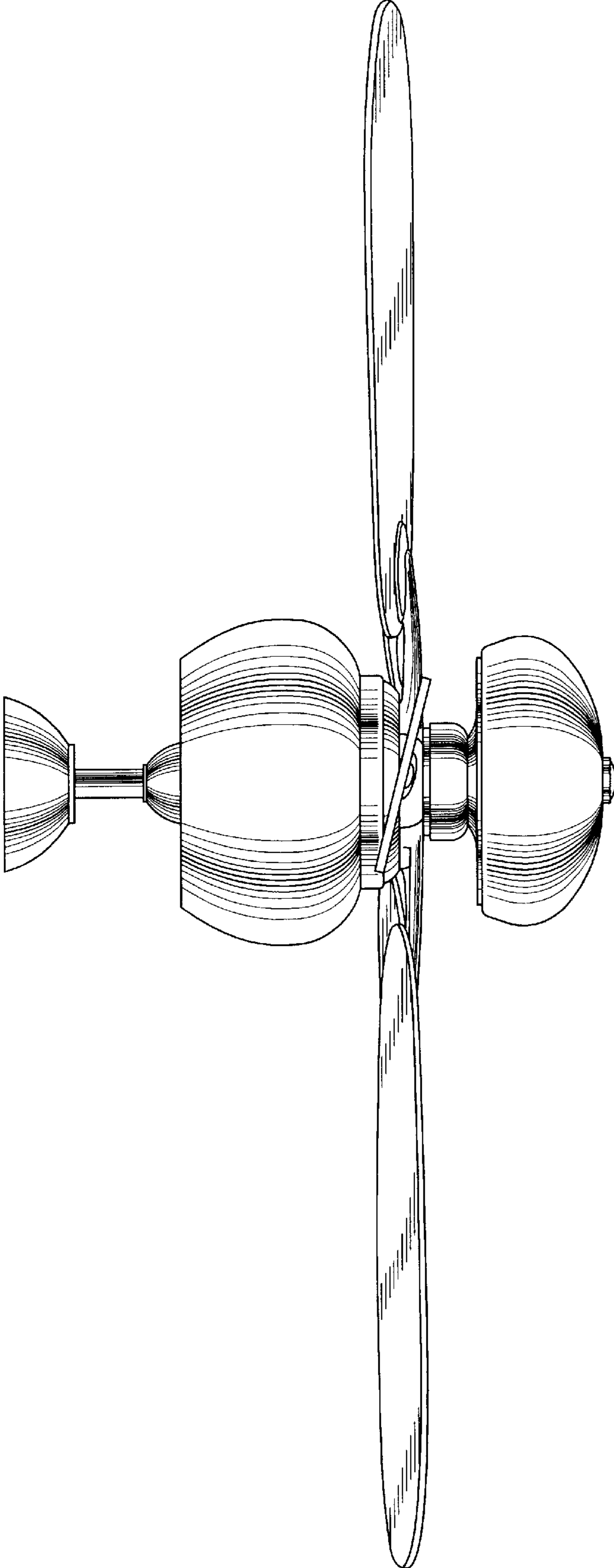


Fig. 4

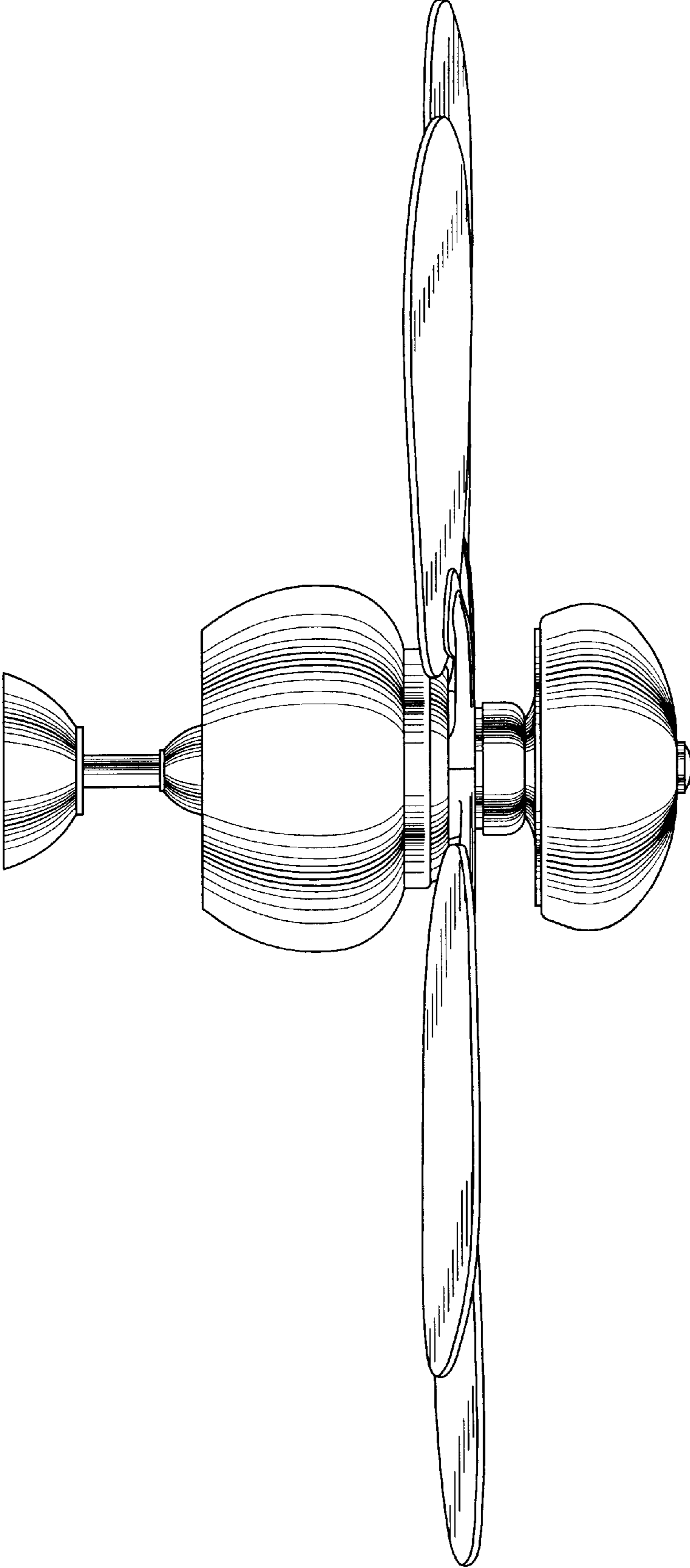


Fig. 5