

US00D516193S

(12) **United States Design Patent**
Caserta et al.

(10) **Patent No.:** **US D516,193 S**
(45) **Date of Patent:** **** Feb. 28, 2006**

(54) **SUBSTANCE EVAPORATOR**

(75) Inventors: **Andrea Caserta**, Barcelona (ES);
Ruben Garcia Fabrega, Barcelona
(ES); **David Moreno Perez**, Barcelona
(ES)

(73) Assignee: **DBK Espana S.A.**, Barcelona (ES)

(**) Term: **14 Years**

(21) Appl. No.: **29/207,385**

(22) Filed: **Jun. 14, 2004**

(51) **LOC (8) Cl.** **23-04**

(52) **U.S. Cl.** **D23/366**

(58) **Field of Classification Search** D23/356-369;
392/390, 392, 394; 239/135, 136, 58; 261/DIG. 17,
261/DIG. 65

See application file for complete search history.

(56) **References Cited**

U.S. PATENT DOCUMENTS

D161,351 S	*	12/1950	Levine	D23/368
D243,017 S	*	1/1977	Fossella	D23/369
D250,042 S	*	10/1978	Pardo et al.	D23/369
D346,856 S	*	5/1994	Kany	D23/368
D367,526 S	*	2/1996	Bignon	D23/366

D372,526 S	*	8/1996	Rymer	D23/366
D376,420 S	*	12/1996	Rymer	D23/368
D438,607 S	*	3/2001	Edwards et al.	D23/366
D447,551 S	*	9/2001	A'Court	D23/366
D500,550 S	*	1/2005	Bariou et al.	D23/368

* cited by examiner

Primary Examiner—Sandra S. Snapp

(74) *Attorney, Agent, or Firm*—Michael Best & Friedrich LLP

(57) **CLAIM**

The ornamental design for a substance evaporator, as shown and described.

DESCRIPTION

FIG. 1 is a first perspective view of the substance evaporator showing an attachment for securing the substance evaporator in a closed position;

FIG. 2 is a front elevational view thereof;

FIG. 3 is a back elevational view thereof

FIG. 4 is a right side elevational view thereof;

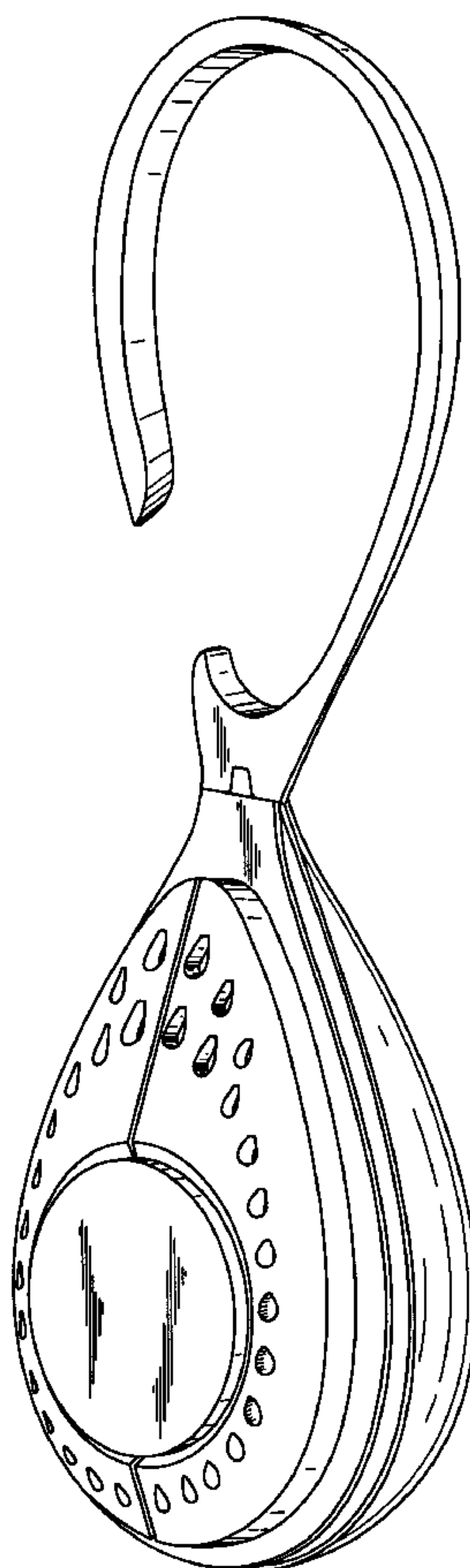
FIG. 5 left side elevational view thereof;

FIG. 6 is a top plan view thereof;

FIG. 7 is a bottom plan view thereof; and,

FIG. 8 is a second perspective view showing an attachment for securing the substance evaporator in an open position.

1 Claim, 8 Drawing Sheets



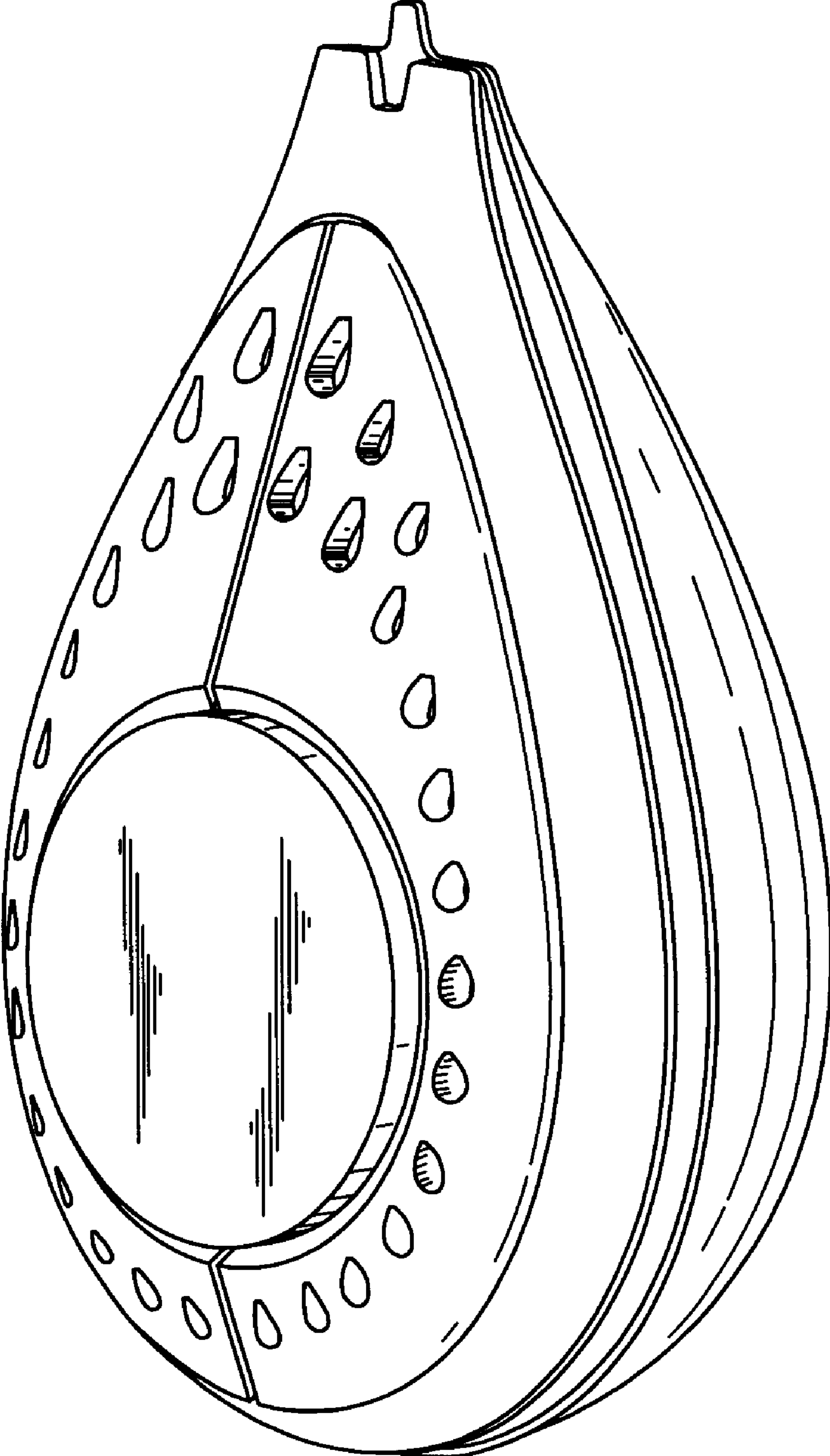


FIG. 1

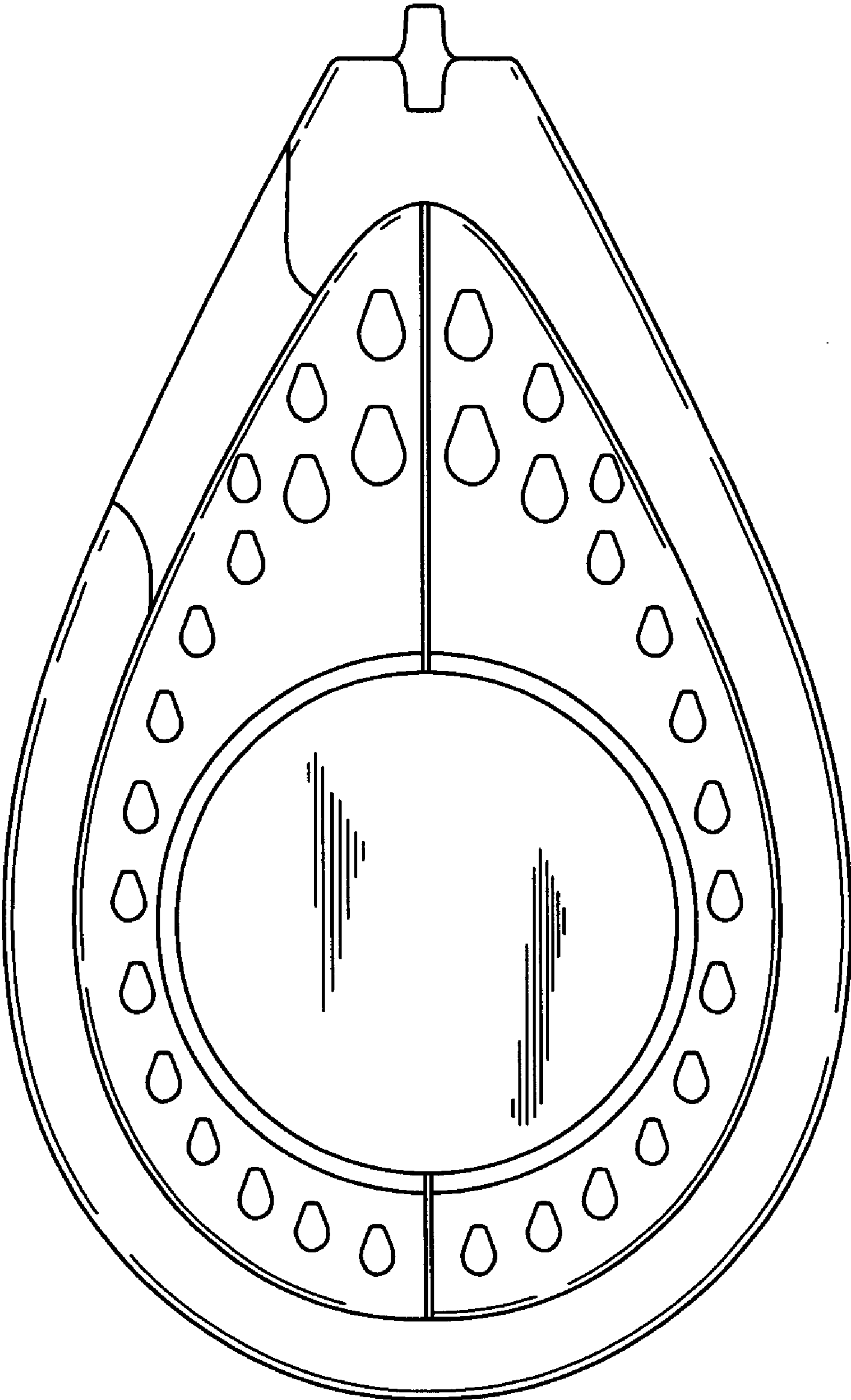


FIG. 2

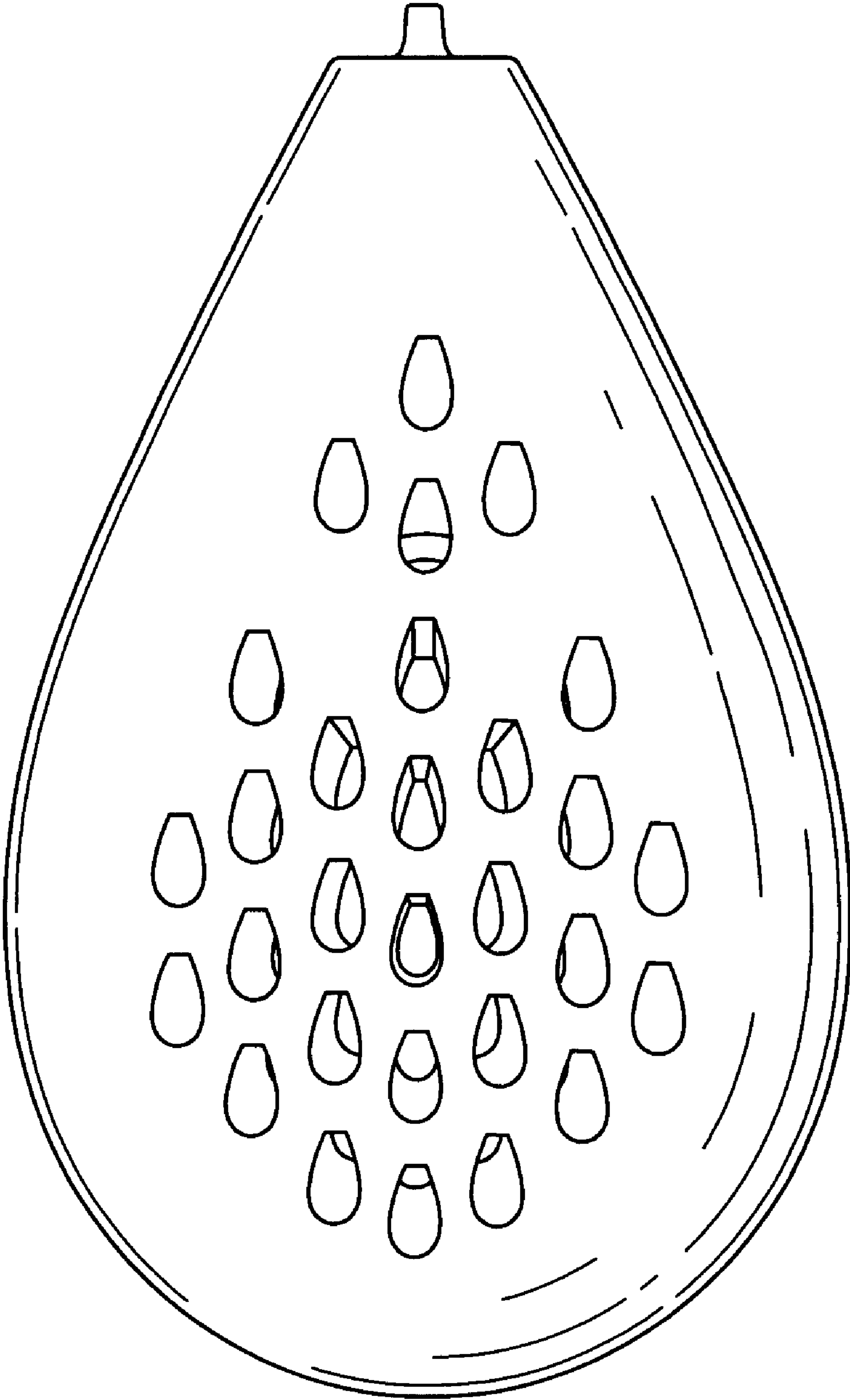


FIG. 3

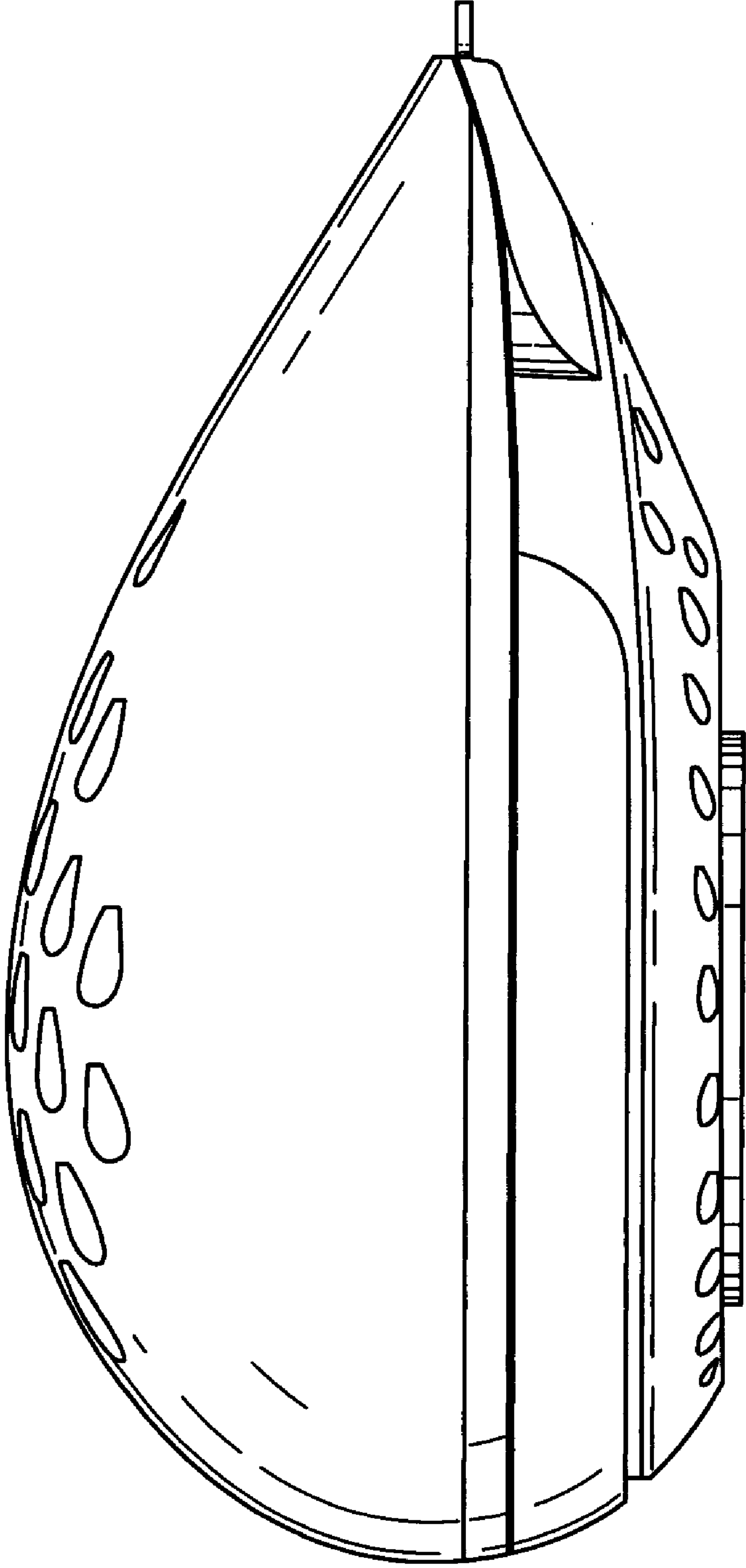


FIG. 4

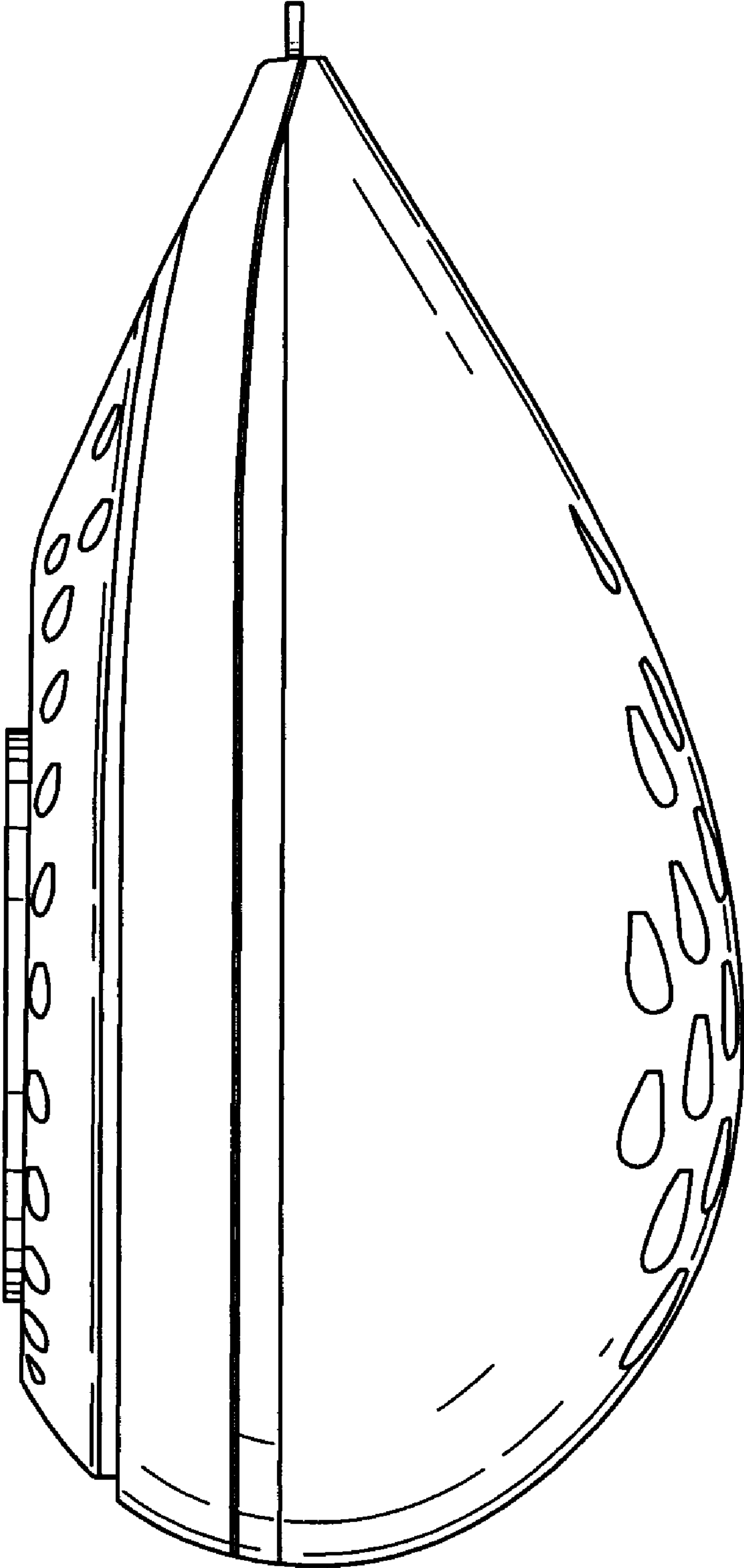


FIG. 5

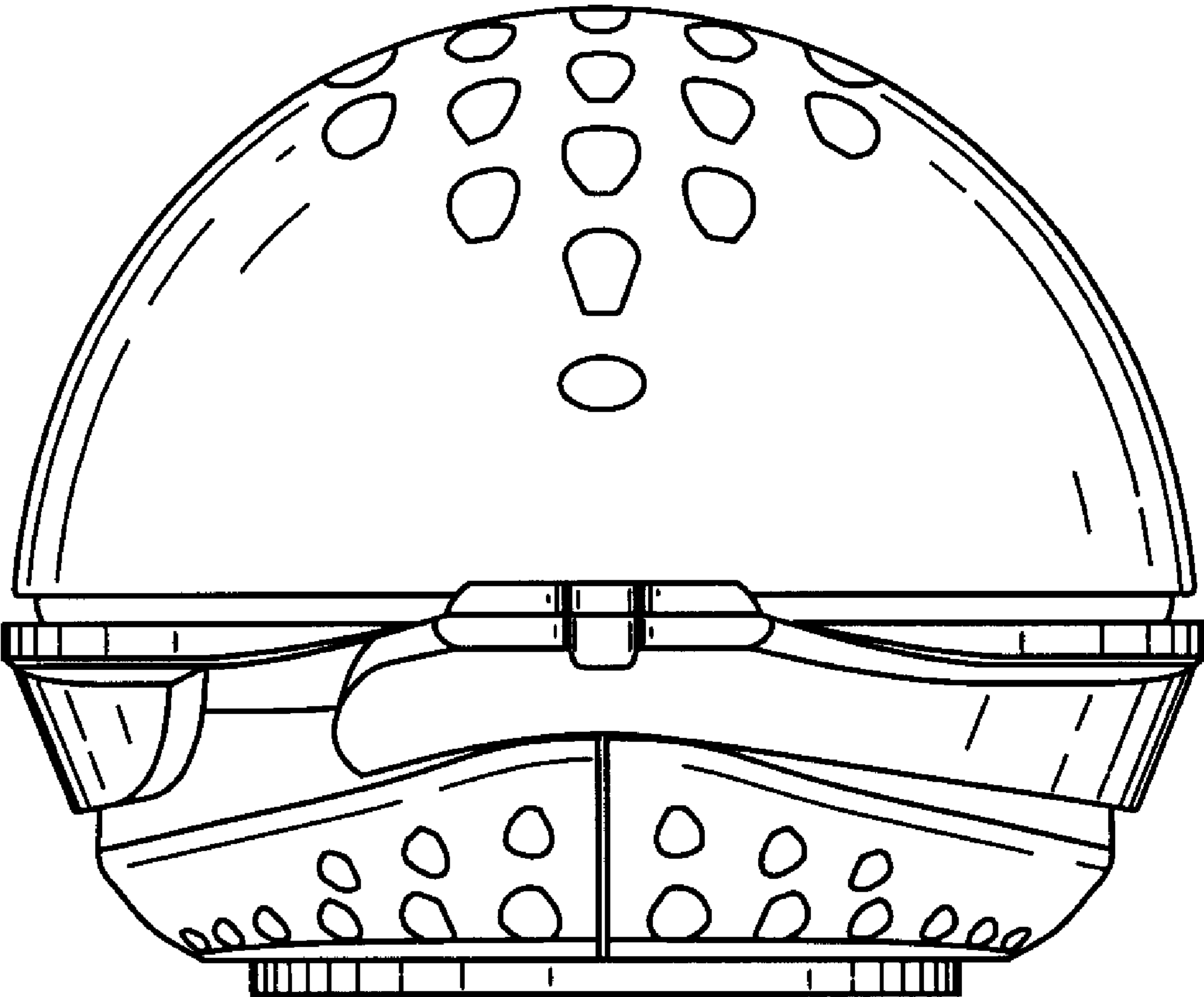


FIG. 6

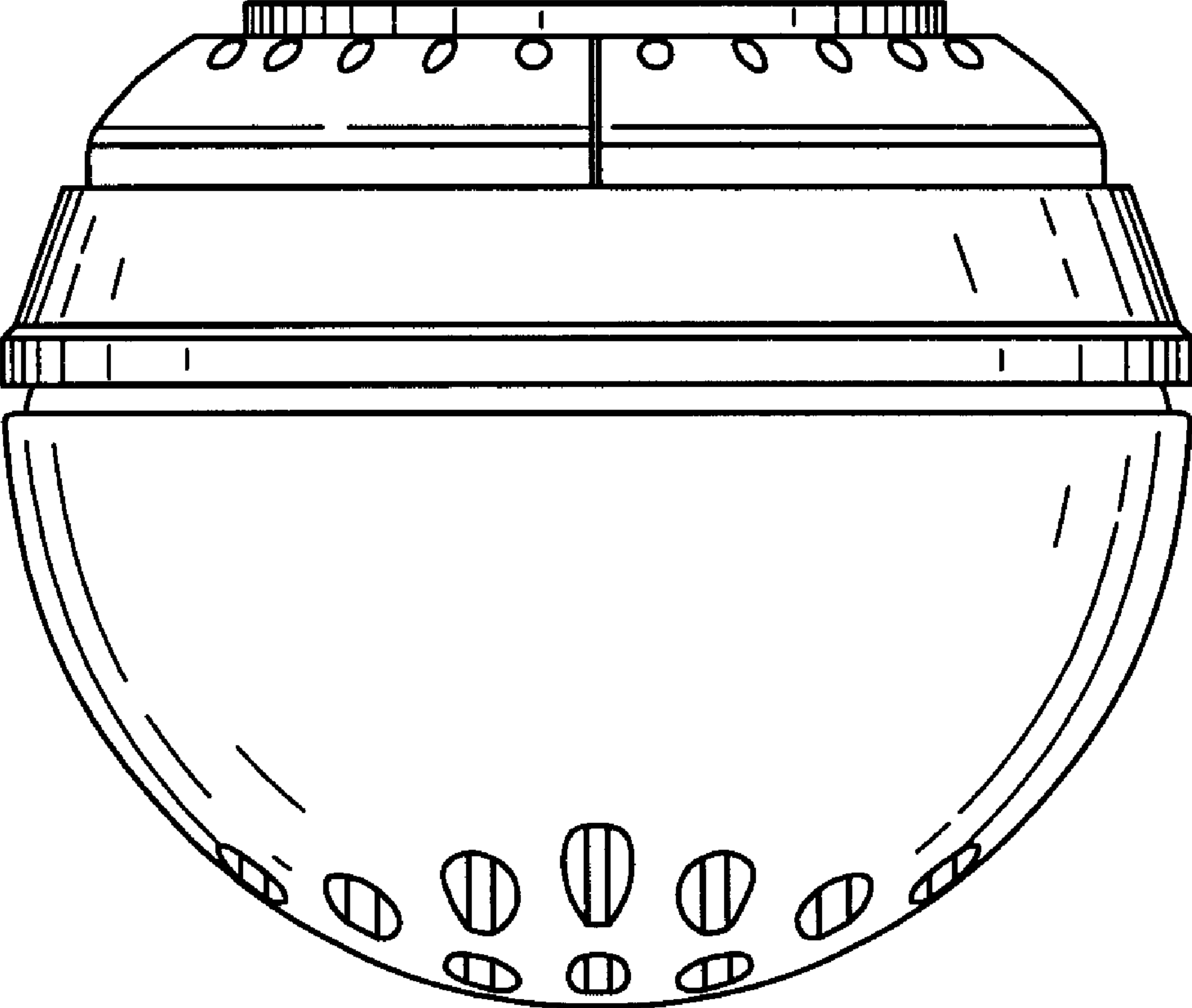


FIG. 7

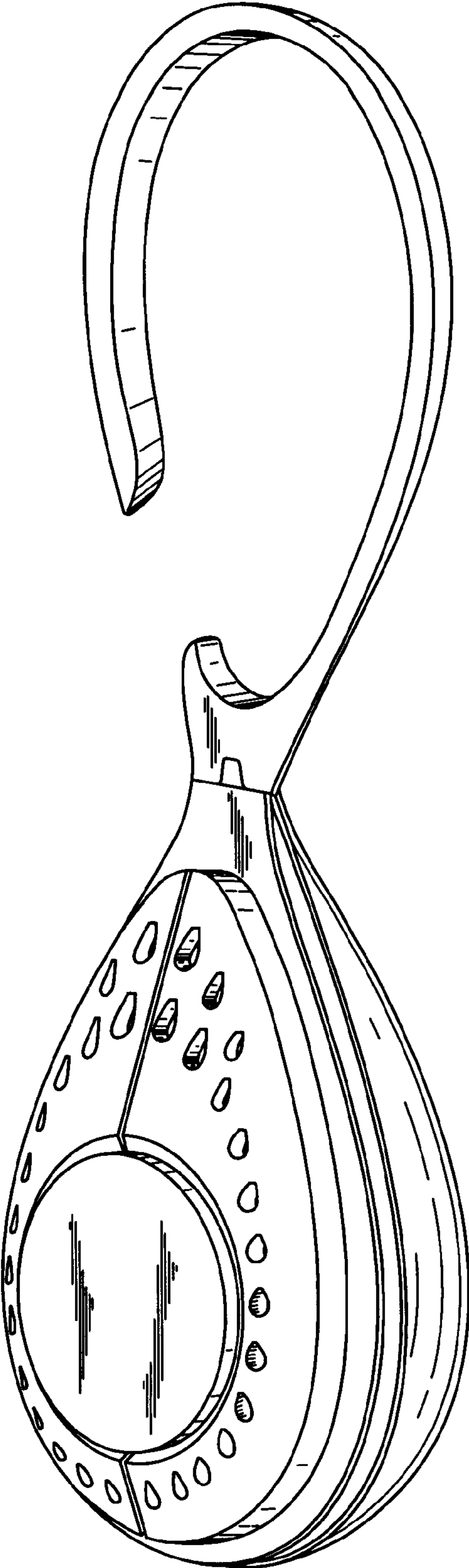


FIG. 8