



US00D516187S

(12) **United States Design Patent**  
**Parrette**

(10) **Patent No.:** **US D516,187 S**

(45) **Date of Patent:** **\*\* Feb. 28, 2006**

(54) **PLUMBING FIXTURE**

(75) **Inventor:** **Robert N. Parrette**, Griswold, CT (US)

(73) **Assignee:** **Motorcycle Faucets and Fixtures, Inc.**, New London, CT (US)

(\*\*) **Term:** **14 Years**

(21) **Appl. No.:** **29/229,378**

(22) **Filed:** **May 6, 2005**

**Related U.S. Application Data**

(62) Division of application No. 29/199,854, filed on Feb. 18, 2004, now Pat. No. Des. 506,809.

(51) **LOC (8) Cl.** ..... **23-01**

(52) **U.S. Cl.** ..... **D23/256**

(58) **Field of Classification Search** ..... D23/238-257;  
D8/300-322, 350-353, DIG. 3; 16/110.1;  
4/675-678, 615; 137/801; D21/538, 432;  
D12/178, 110

See application file for complete search history.

(56) **References Cited**

**U.S. PATENT DOCUMENTS**

D389,536 S 1/1998 Mira Verdu ..... D21/538  
D404,002 S \* 1/1999 Puchkoff ..... D12/218  
D428,068 S 7/2000 Lerch ..... D21/432

D432,486 S \* 10/2000 Krejci ..... D12/218  
6,226,812 B1 5/2001 Ker ..... 4/615  
D461,223 S 8/2002 Duncan et al. .... D23/215  
D470,572 S 2/2003 Parrette ..... D23/242  
D482,311 S \* 11/2003 Song ..... D12/218  
D506,809 S \* 6/2005 Parrette ..... D23/242

\* cited by examiner

*Primary Examiner*—Louis S. Zarfes

*Assistant Examiner*—Gregory Andoll

(74) *Attorney, Agent, or Firm*—McCormick, Paulding & Huber LLP

(57) **CLAIM**

The ornamental design for a plumbing fixture, as shown and described.

**DESCRIPTION**

FIG. 1 is a perspective view from the front of my plumbing fixture.

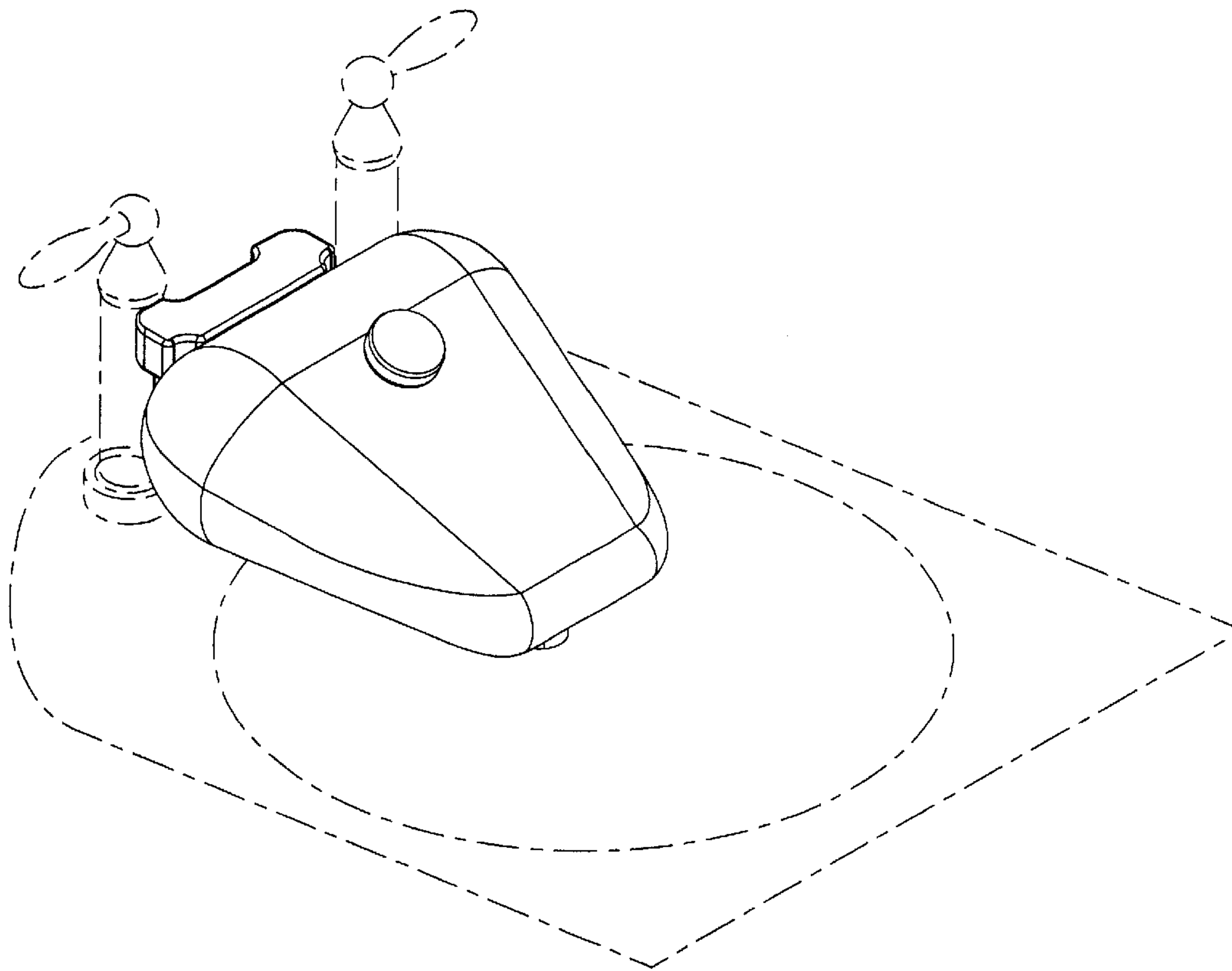
FIG. 2 is a rear view of my plumbing fixture as shown in FIG. 1.

FIG. 3 is a top view of my plumbing fixture as shown in FIG. 1; and,

FIG. 4 is a right side view of my plumbing fixture as shown in FIG. 1, the left side view being a mirror image.

The broken lines in the Figures are for illustrative purposes only and form no part of the claimed design.

**1 Claim, 4 Drawing Sheets**



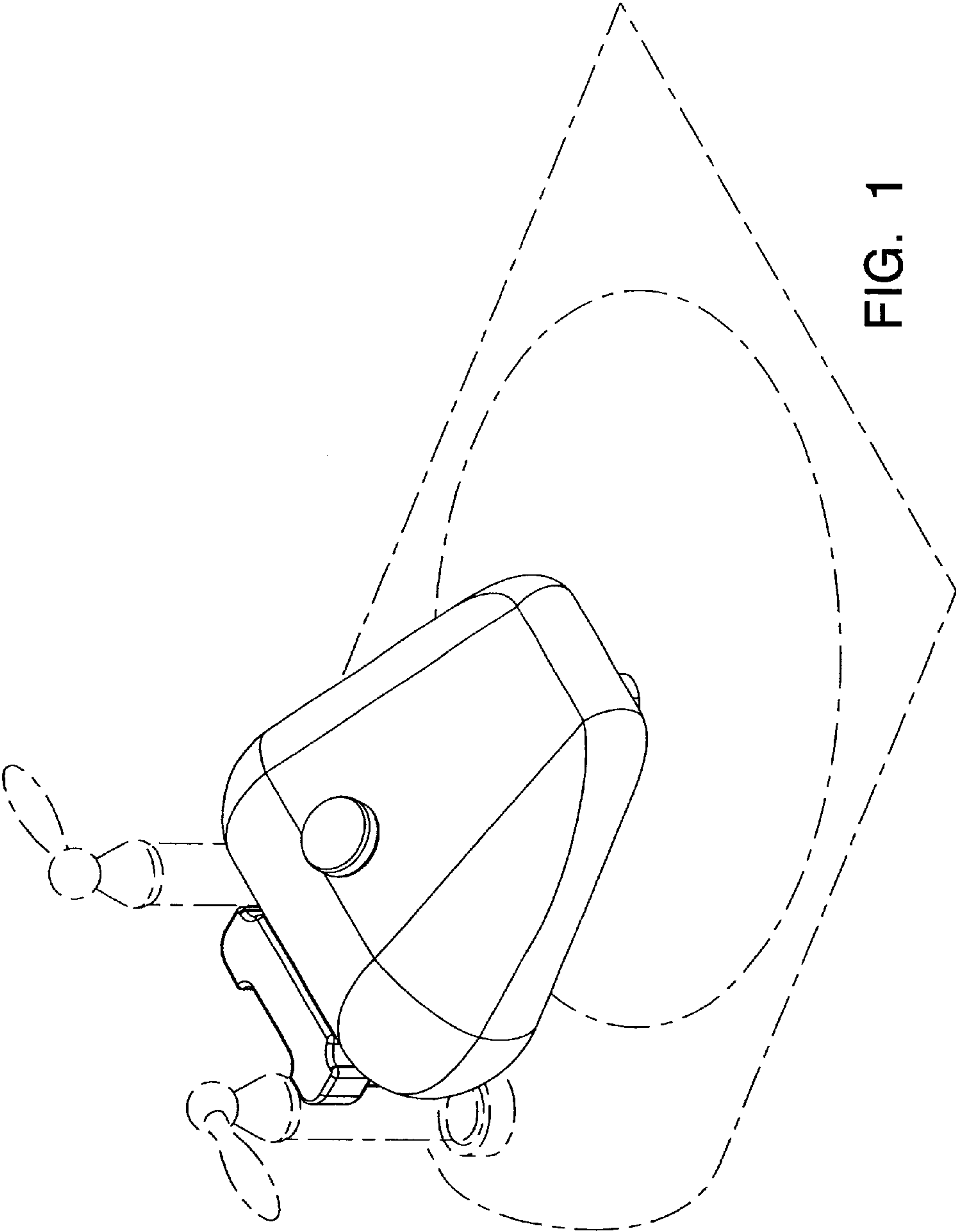


FIG. 1

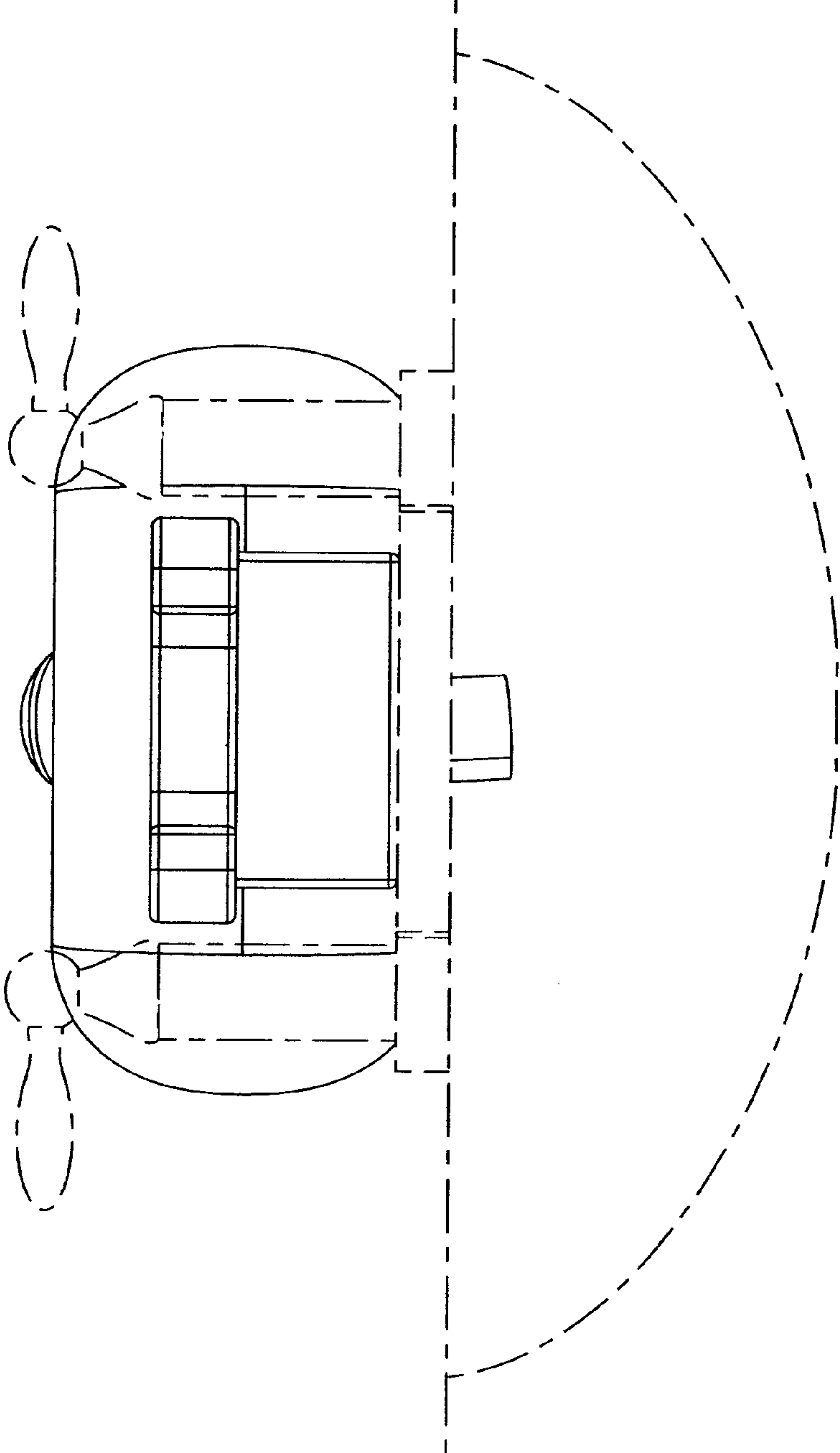


FIG. 2

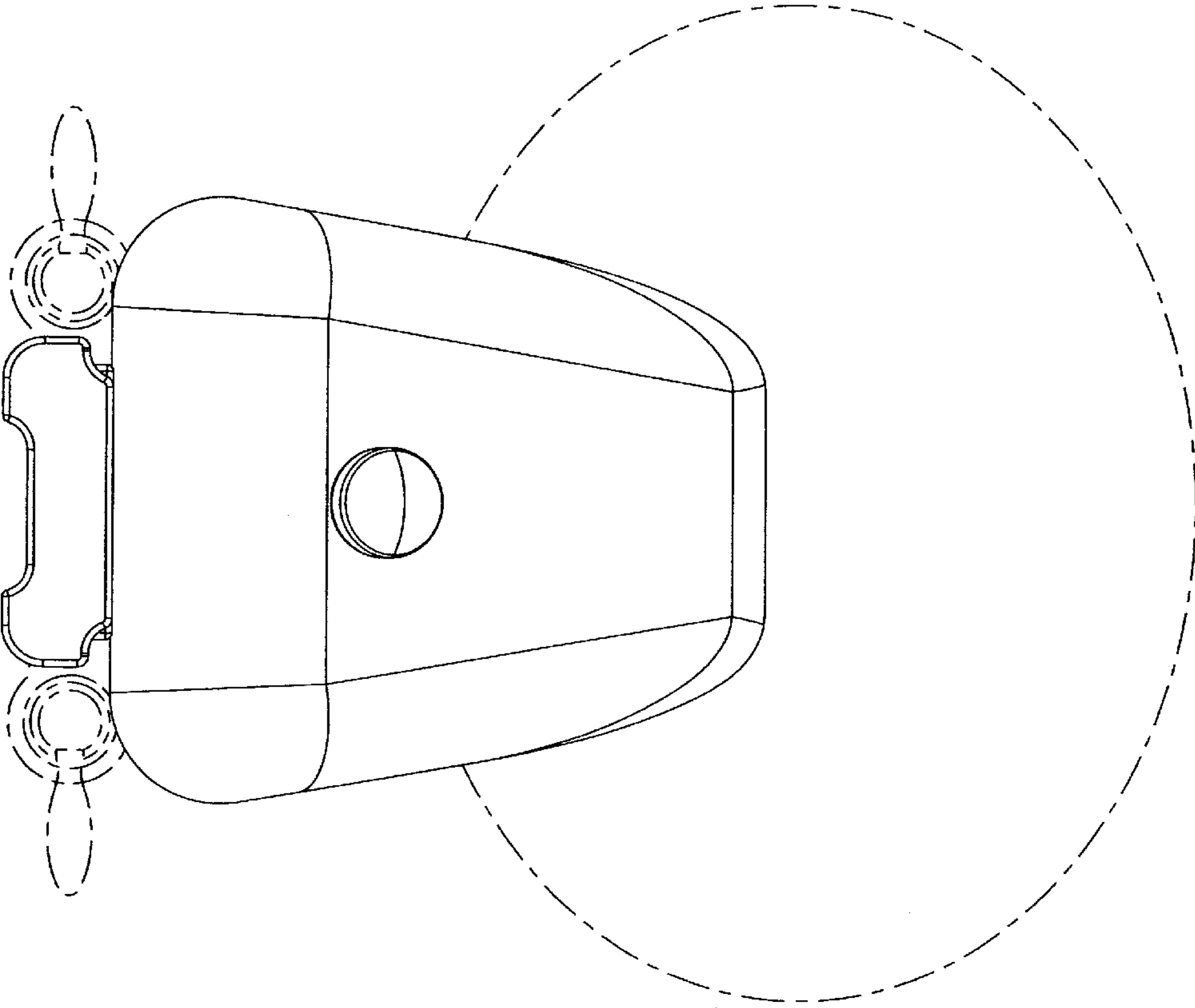


FIG. 3

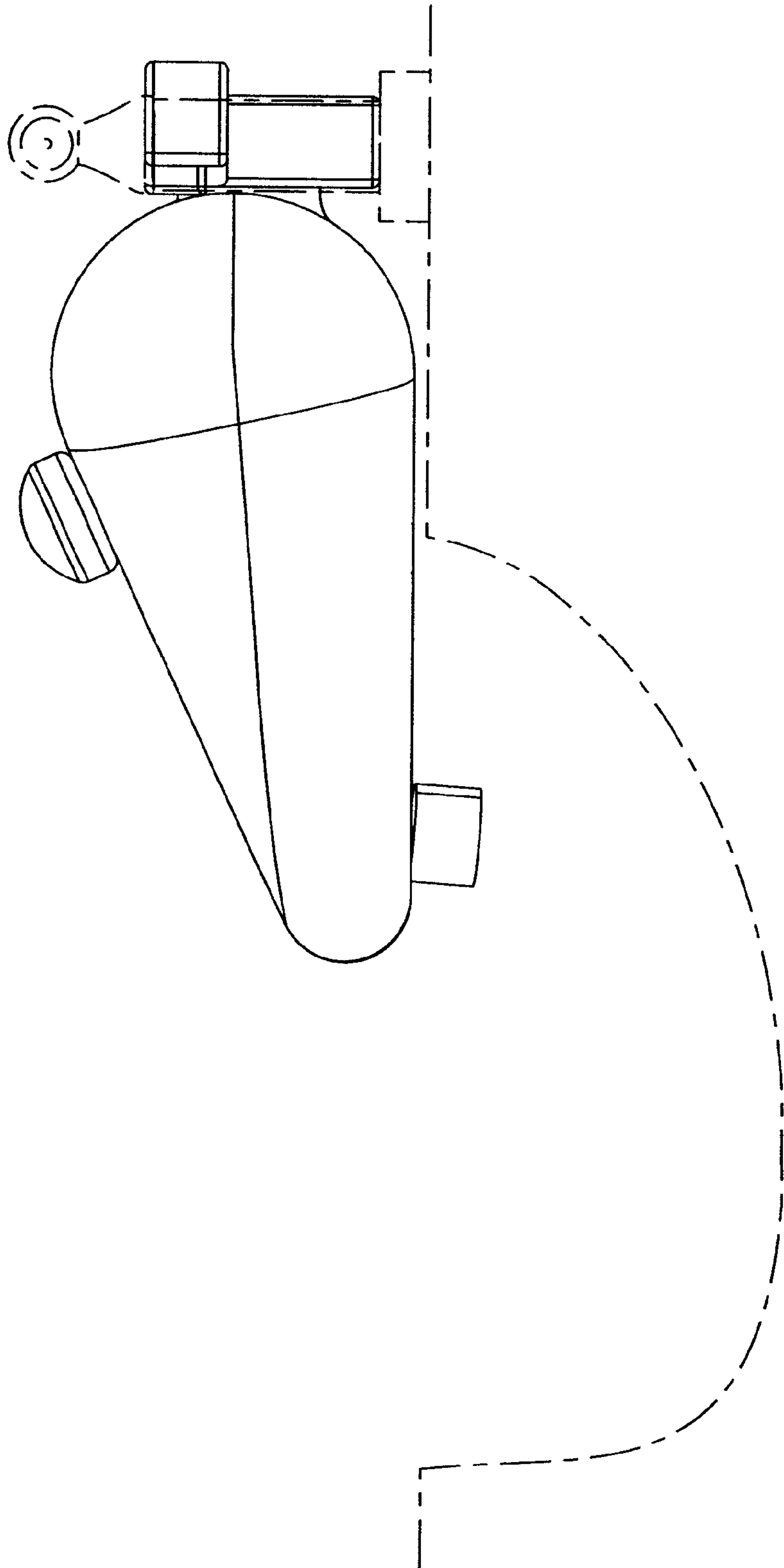


FIG. 4