



US00D516183S

(12) **United States Design Patent**
Gilbert

(10) **Patent No.:** **US D516,183 S**

(45) **Date of Patent:** **** Feb. 28, 2006**

(54) **HANDLE**

(75) **Inventor:** **Christopher Jon Gilbert**, Moreland Hills, OH (US)

(73) **Assignee:** **Moen Incorporated**, North Olmsted, OH (US)

(**) **Term:** **14 Years**

(21) **Appl. No.:** **29/199,260**

(22) **Filed:** **Feb. 12, 2004**

(51) **LOC (8) Cl.** **23-01**

(52) **U.S. Cl.** **D23/252**

(58) **Field of Classification Search** D23/238–243,
D23/245, 250–257; D8/300–322, 350–353,
D8/DIG. 3; 16/110.1; 4/675–678; 137/801
See application file for complete search history.

(56) **References Cited**

U.S. PATENT DOCUMENTS

D219,739 S	1/1971	Niemann	
D219,779 S	1/1971	Tiller	
D219,780 S	1/1971	Niemann	
D219,781 S	1/1971	Niemann	
D223,913 S	6/1972	Niemann	
D314,040 S	1/1991	Heieck	
D323,022 S	1/1992	Ragonot	
5,303,737 A	4/1994	Koch	
D347,269 S	5/1994	Yost	
D362,489 S	9/1995	Moon	
D364,213 S	11/1995	Dannenberg et al.	
D379,847 S	6/1997	Kohler, Jr.	
D384,729 S	10/1997	Fabian	
D405,871 S	2/1999	Pitsch	
D407,144 S	3/1999	Formgren	
D409,289 S	* 5/1999	Hyde et al.	D23/252
D416,609 S	11/1999	Mullenmeister	
6,003,170 A	12/1999	Humpert et al.	

D424,663 S	5/2000	Mark et al.	
D430,651 S	9/2000	Fiegl et al.	
D458,666 S	6/2002	Mark et al.	
D467,642 S	12/2002	Panis et al.	
D468,400 S	1/2003	Panis et al.	
D469,165 S	1/2003	Lim	
D469,857 S	2/2003	Lim	
D470,917 S	2/2003	Friedrich	
D471,254 S	3/2003	Bonnell et al.	
D473,290 S	* 4/2003	Zhao	D23/252
D476,720 S	7/2003	Hanna	
D477,052 S	7/2003	Kollmann et al.	
D496,716 S	* 9/2004	Green	D23/252

* cited by examiner

Primary Examiner—Louis S. Zarfes

Assistant Examiner—Gregory Andoll

(74) *Attorney, Agent, or Firm*—Calfee, Halter & Griswold LLP

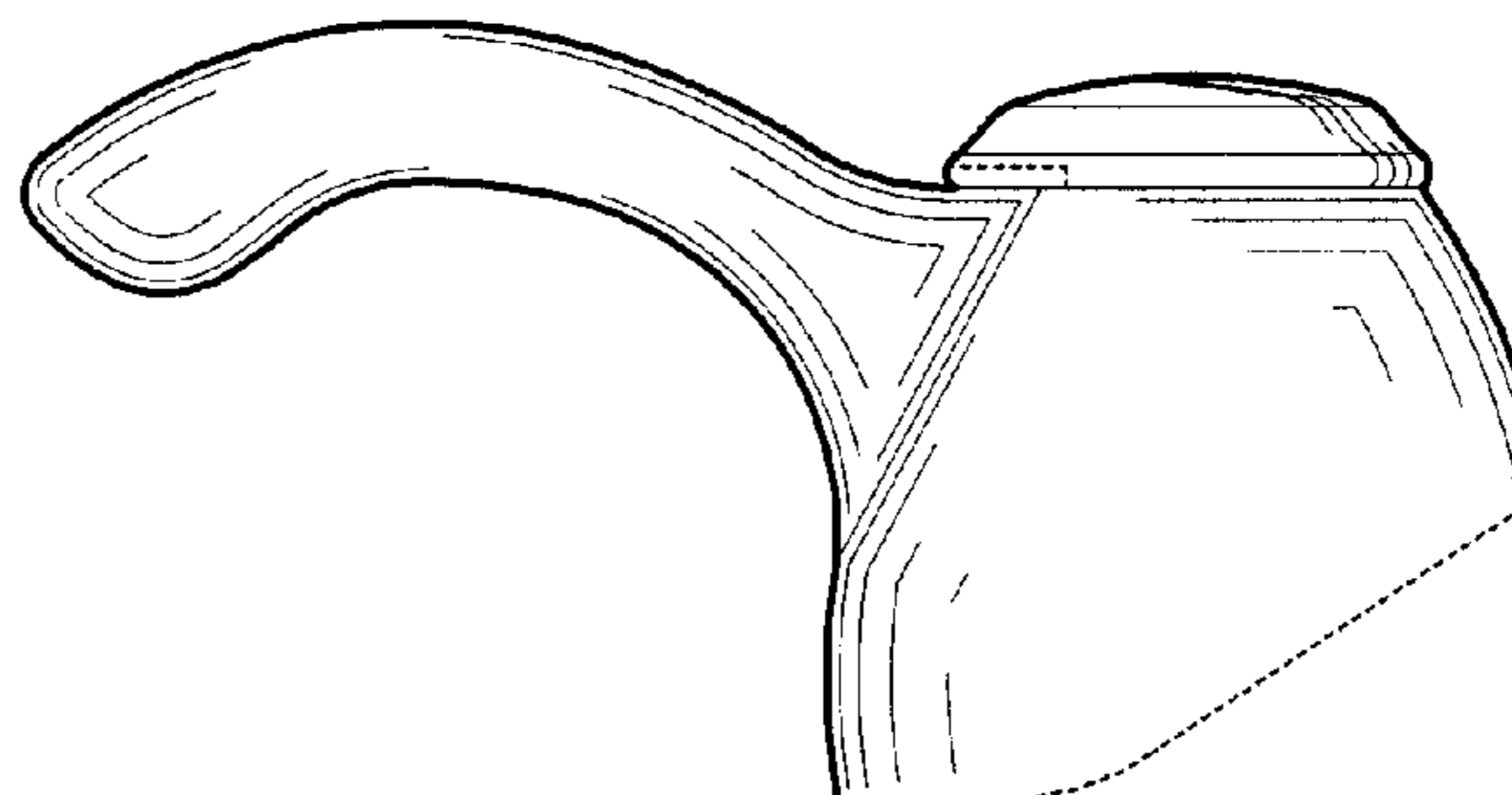
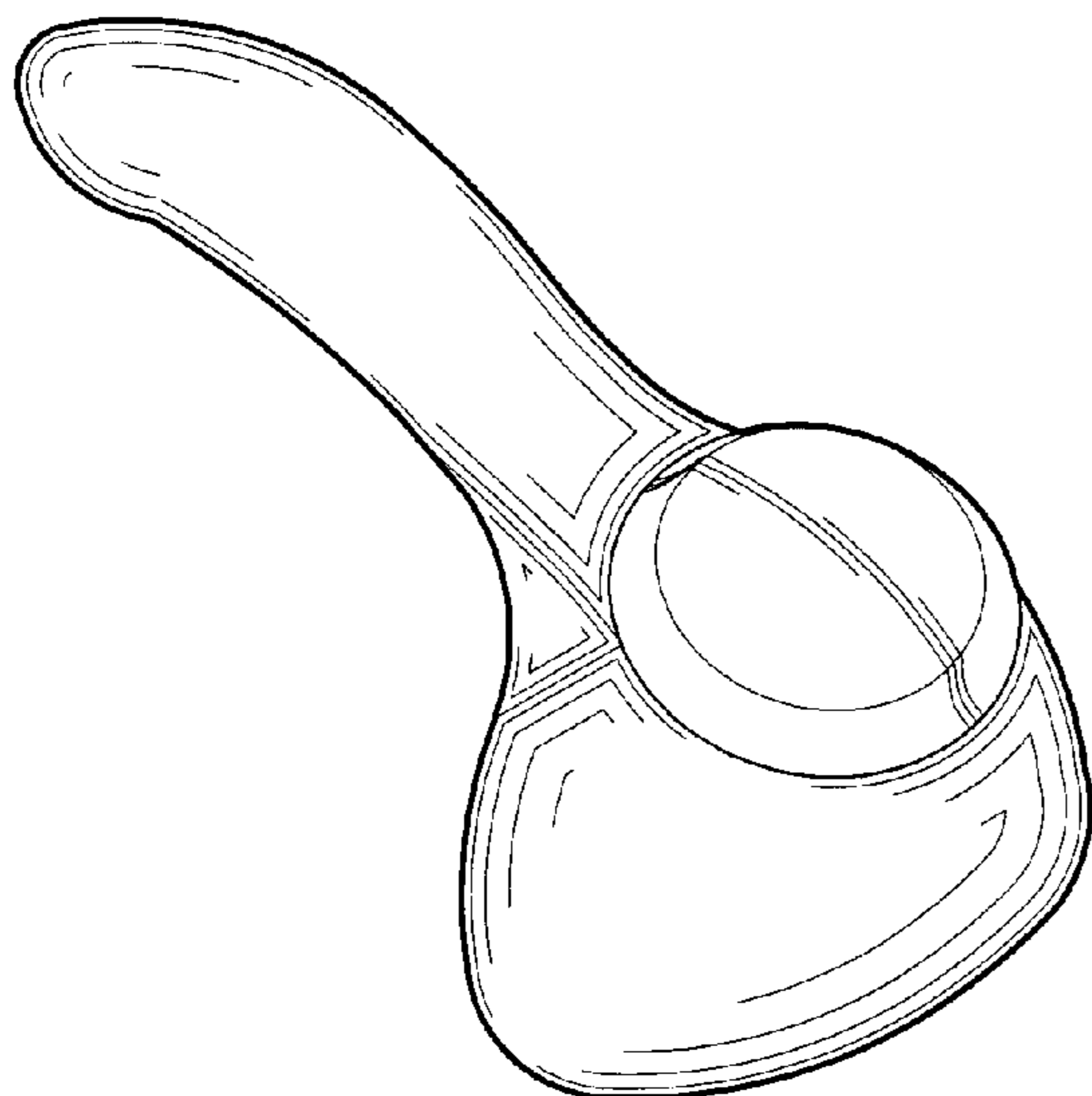
(57) **CLAIM**

The ornamental design for a handle, as shown and described.

DESCRIPTION

FIG. 1 is a perspective view of a handle of the new design; FIG. 2 is a rear elevational view of the handle shown in FIG. 1; FIG. 3 is a top plan view of the handle shown in FIG. 1; FIG. 4 is a left side elevational view of the handle shown in FIG. 1; FIG. 5 is a front elevational view of the handle shown in FIG. 1; FIG. 6 is a right side elevational view of the handle shown in FIG. 1; and, FIG. 7 is a bottom plan view of the handle shown in FIG. 1. The portions of the Figures shown in phantom lines are not part of the claimed design and are for illustration only.

1 Claim, 2 Drawing Sheets



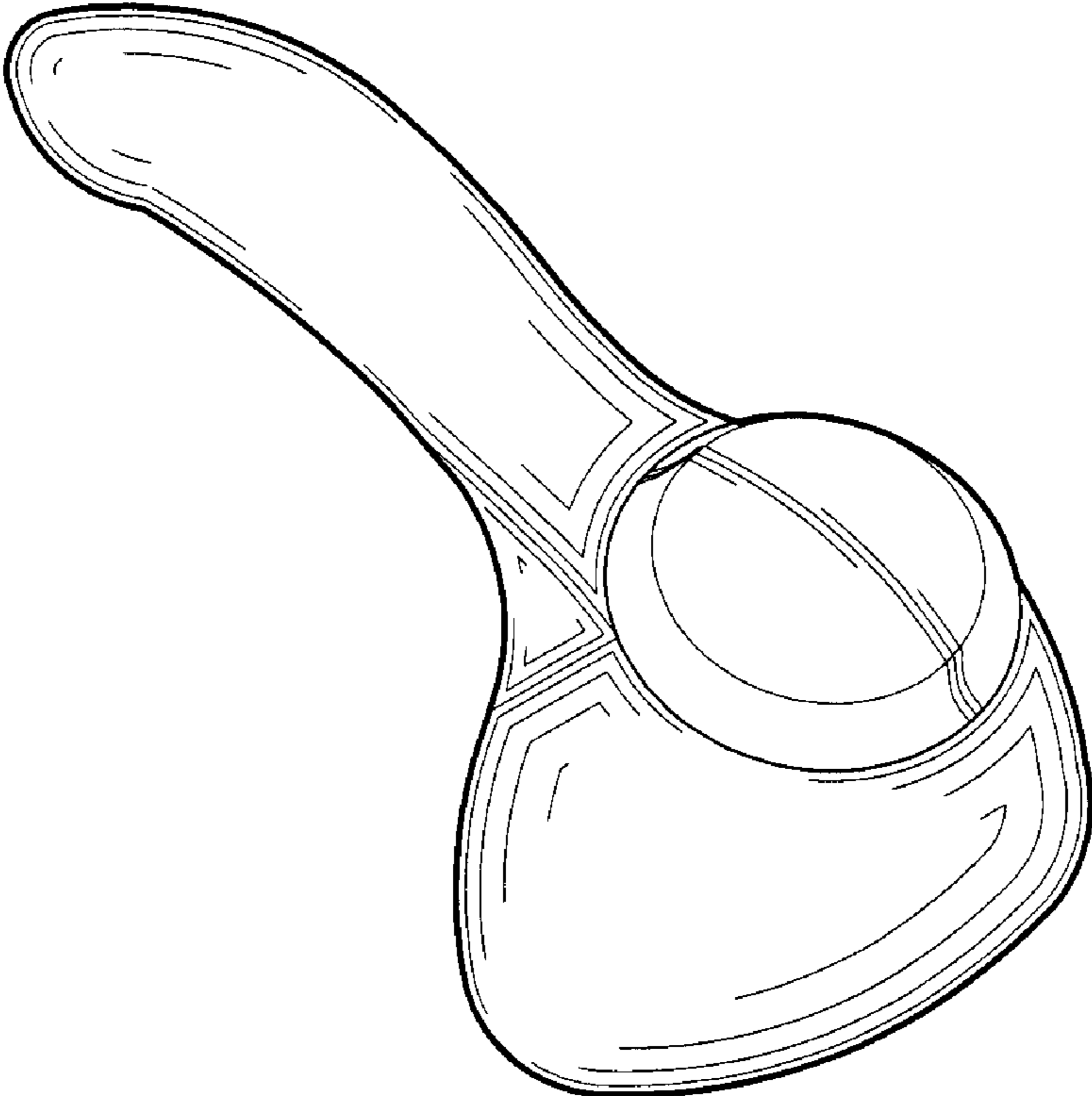


FIG. 1

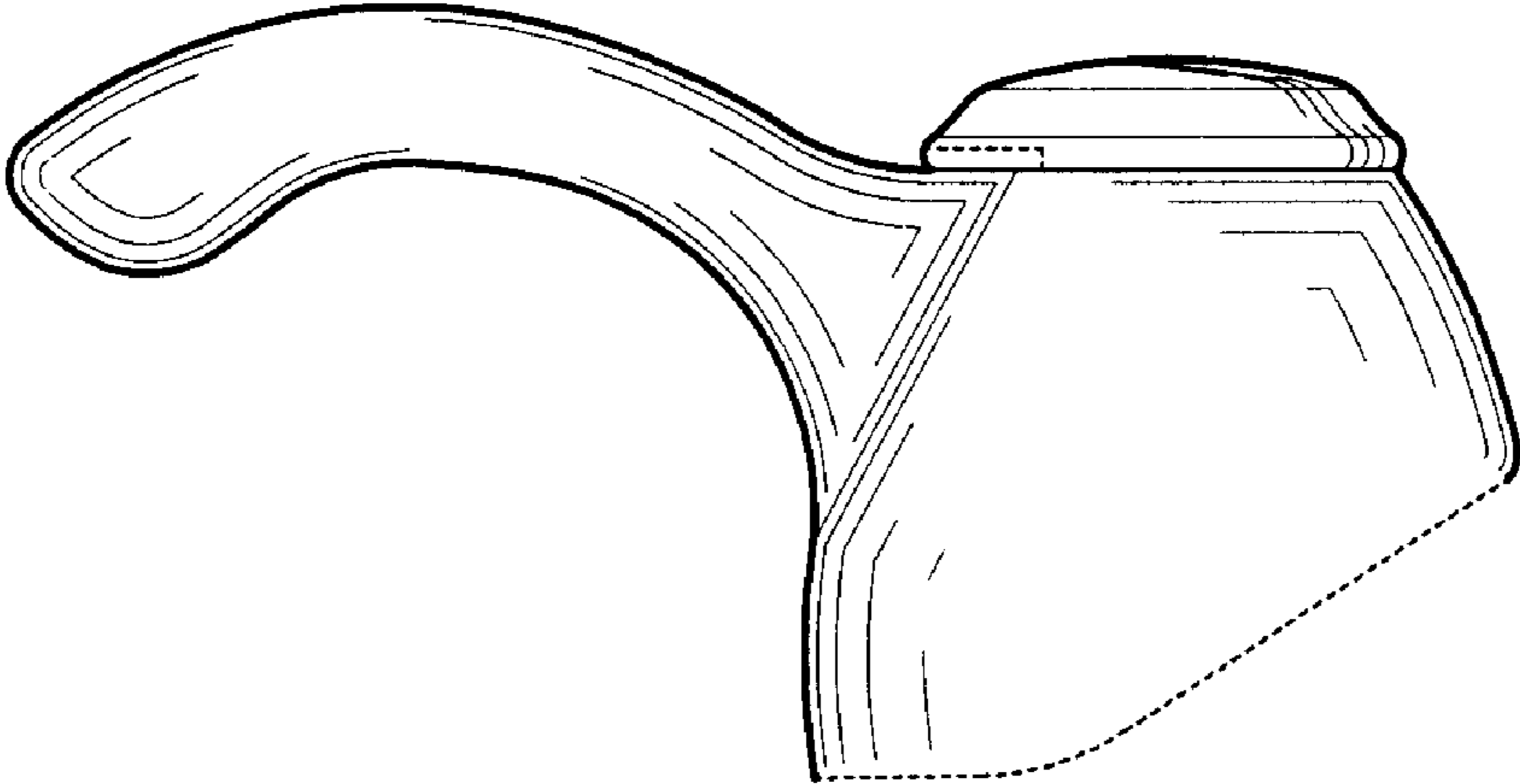


FIG. 2

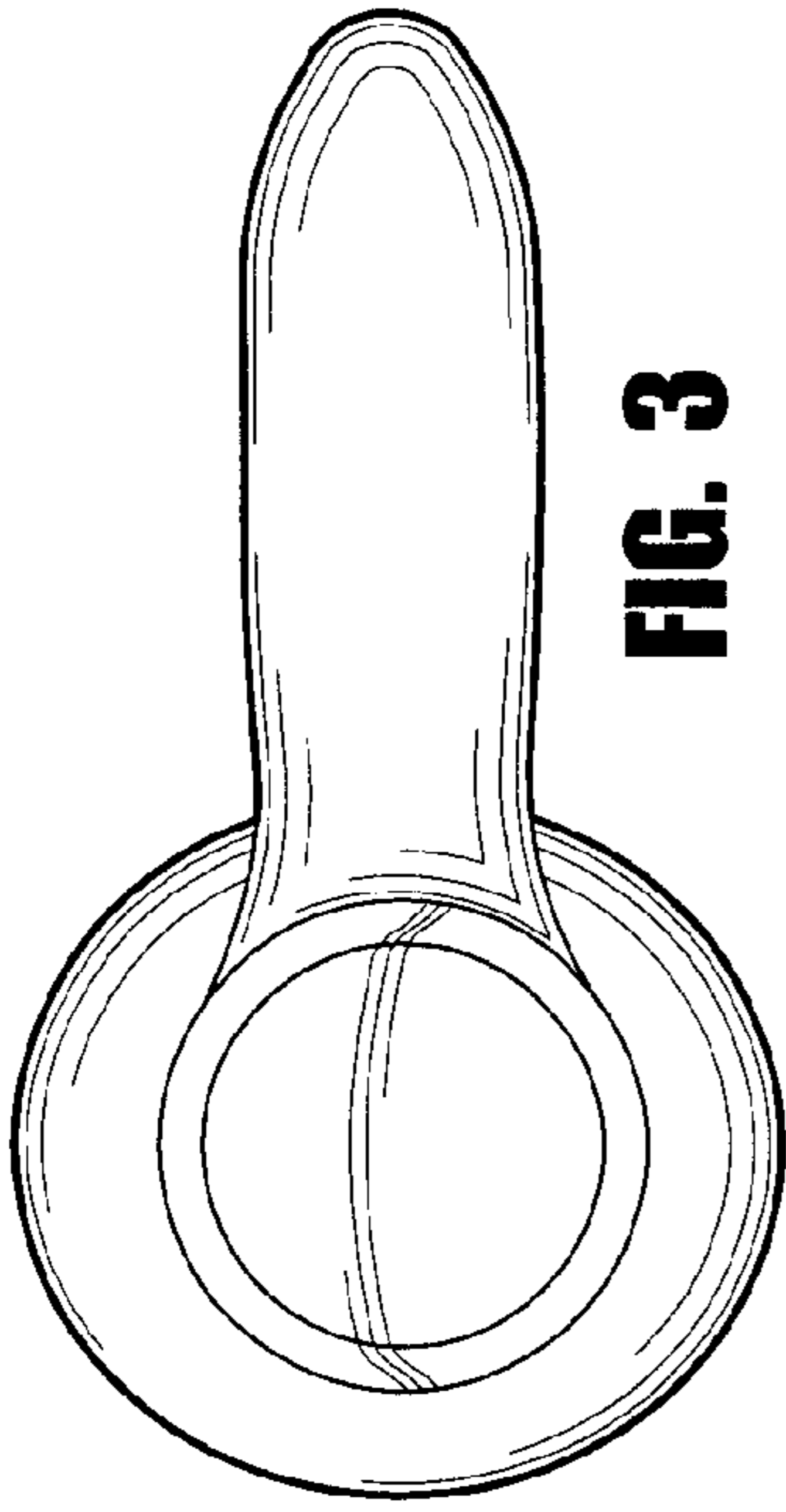


FIG. 3

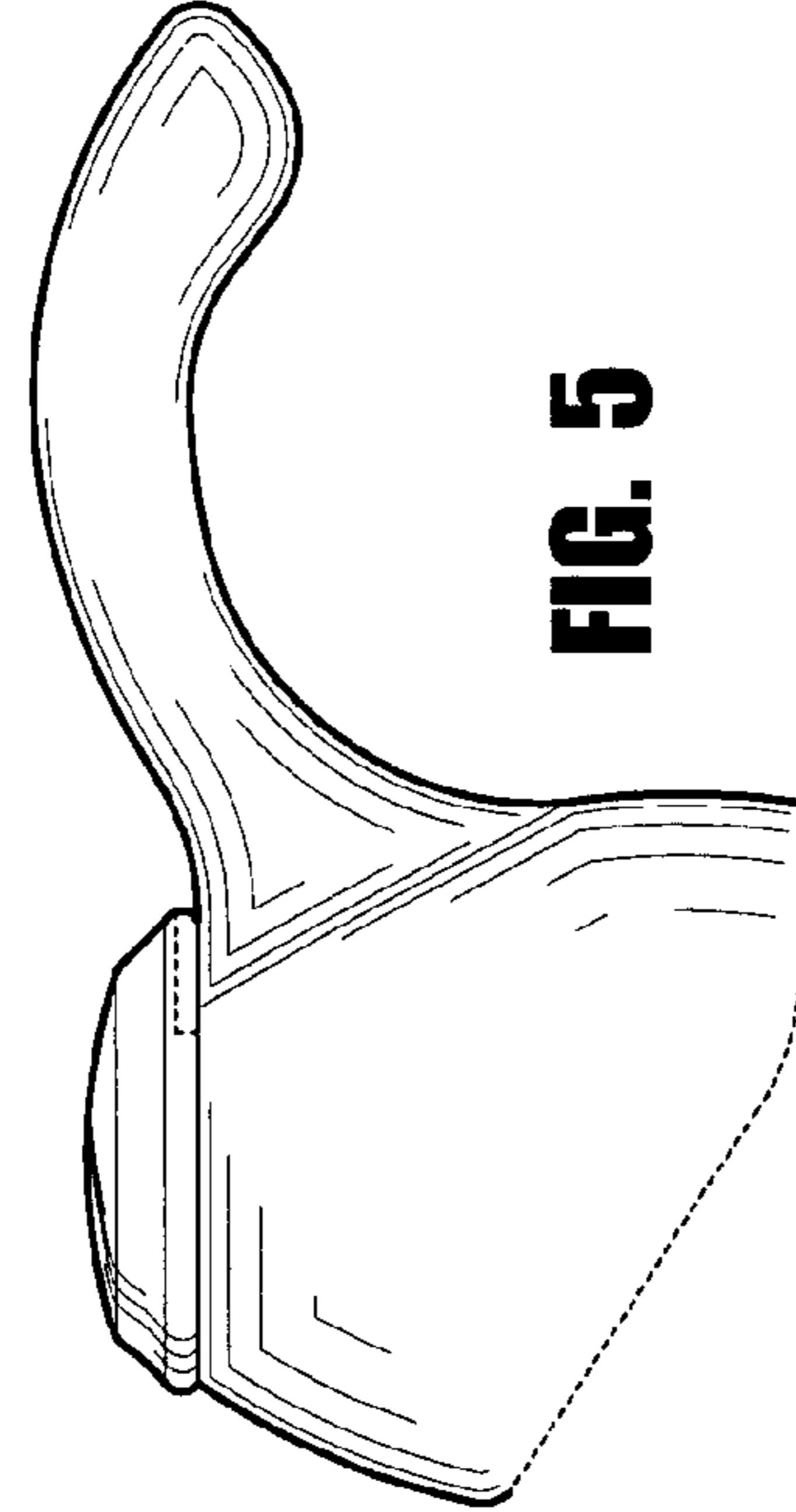


FIG. 5

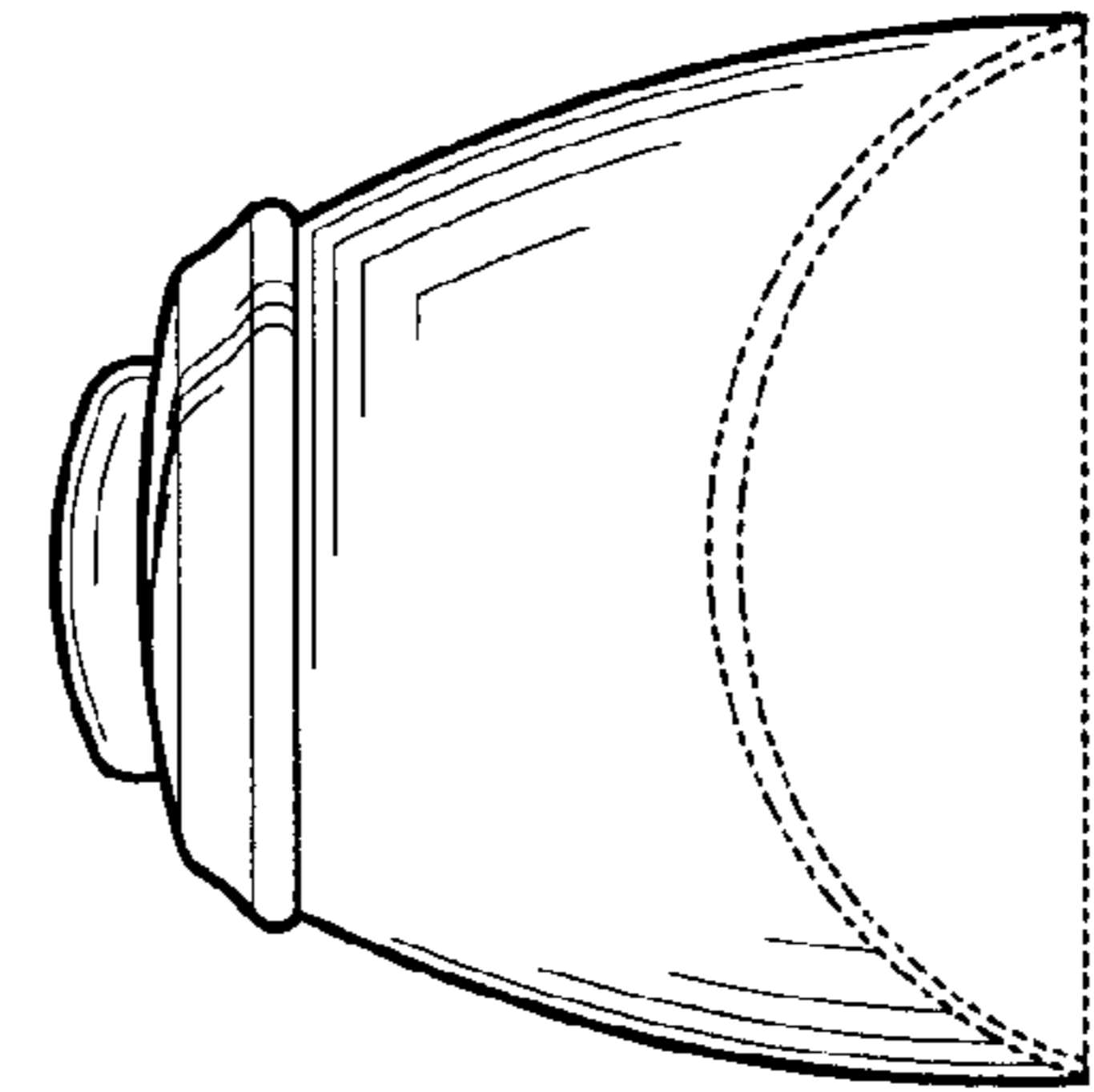


FIG. 4

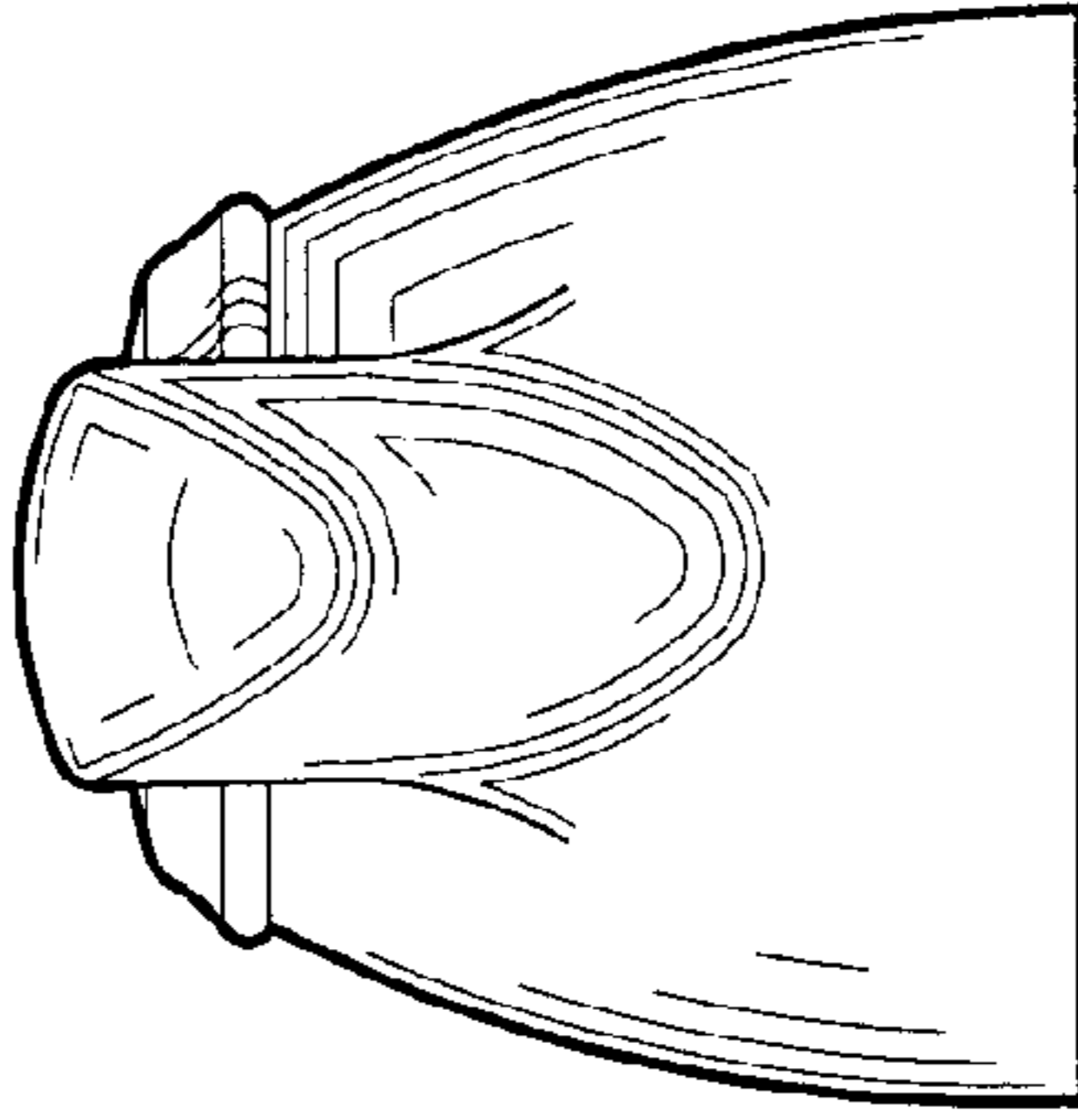


FIG. 6

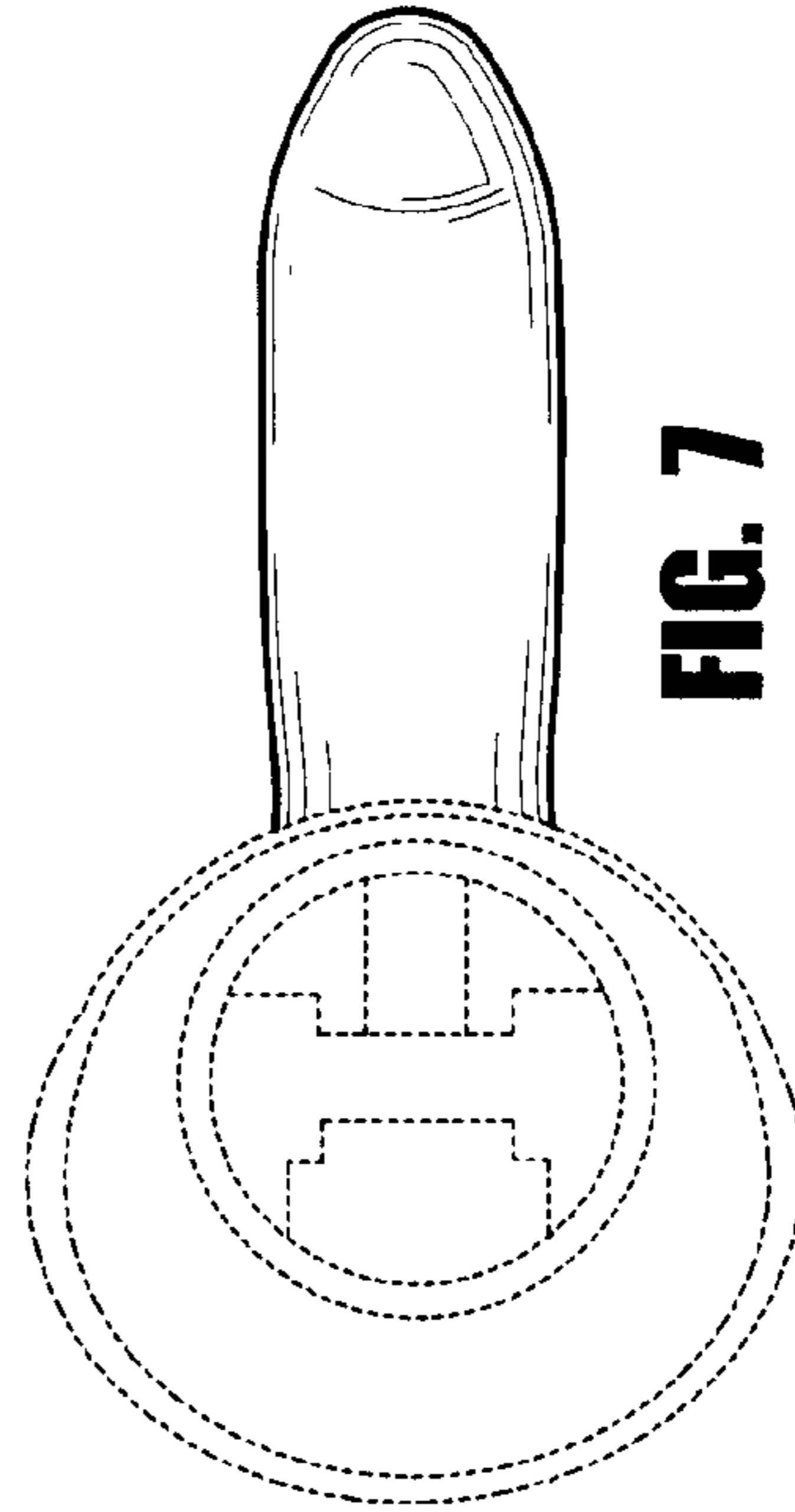


FIG. 7