



US00D516182S

(12) **United States Design Patent**
Büttgen

(10) **Patent No.:** **US D516,182 S**
(45) **Date of Patent:** **** Feb. 28, 2006**

(54) **SCREW-IN ROSETTE FOR A DISCHARGE
END OF A SANITARY FITTING**

D352,092 S * 11/1994 Warshawsky D23/213
6,902,123 B2 * 6/2005 Grether et al. 239/428.5

(75) Inventor: **Heinz Büttgen**, Bad Krozingen (DE)

FOREIGN PATENT DOCUMENTS

(73) Assignee: **Neoper1 GmbH**, Mullheim (DE)

WO WO 03/040481 11/2002

(**) Term: **14 Years**

* cited by examiner

(21) Appl. No.: **29/211,947**

Primary Examiner—Louis S. Zarfes
Assistant Examiner—Gregory Andoll

(22) Filed: **Aug. 24, 2004**

(74) *Attorney, Agent, or Firm*—Volpe and Koenig, P.C.

(30) **Foreign Application Priority Data**

Feb. 25, 2004 (EM) 140298
Jun. 18, 2004 (EM) 193016

(57) **CLAIM**

The ornamental design for a screw-in rosette for a discharge end of a sanitary fitting, as shown and described.

(51) **LOC (8) Cl.** **23-01**

DESCRIPTION

(52) **U.S. Cl.** **D23/249**

(58) **Field of Classification Search** D23/213,
D23/238, 255, 257, 241, 242; 239/428.5;
261/DIG. 22

FIG. 1 is a bottom perspective view of a screw-in rosette showing my new design;
FIG. 2 is a top perspective view thereof;
FIG. 3 is a bottom plan view thereof;
FIG. 4 is a top plan view thereof; and,
FIG. 5 is an elevational view thereof.

See application file for complete search history.

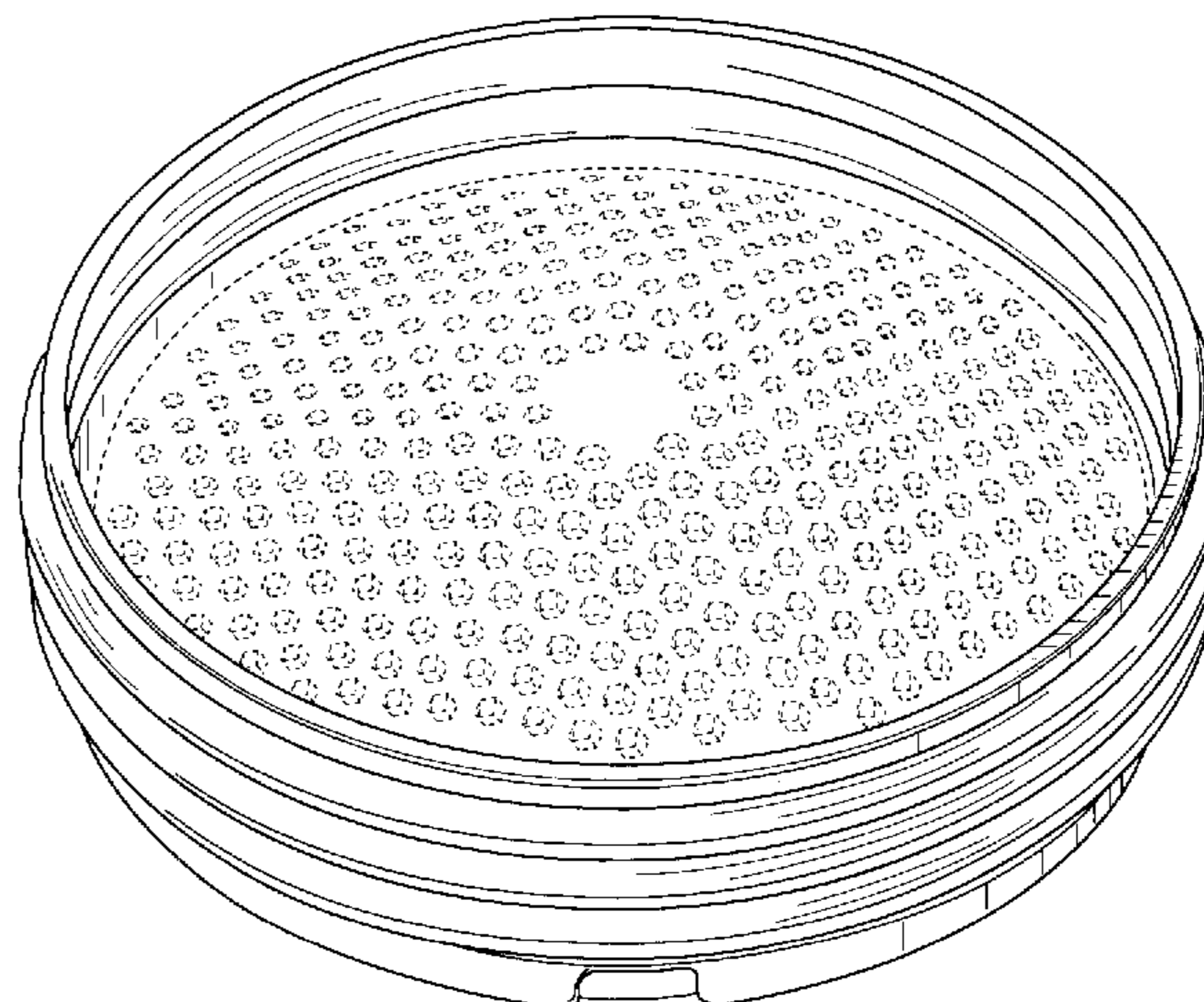
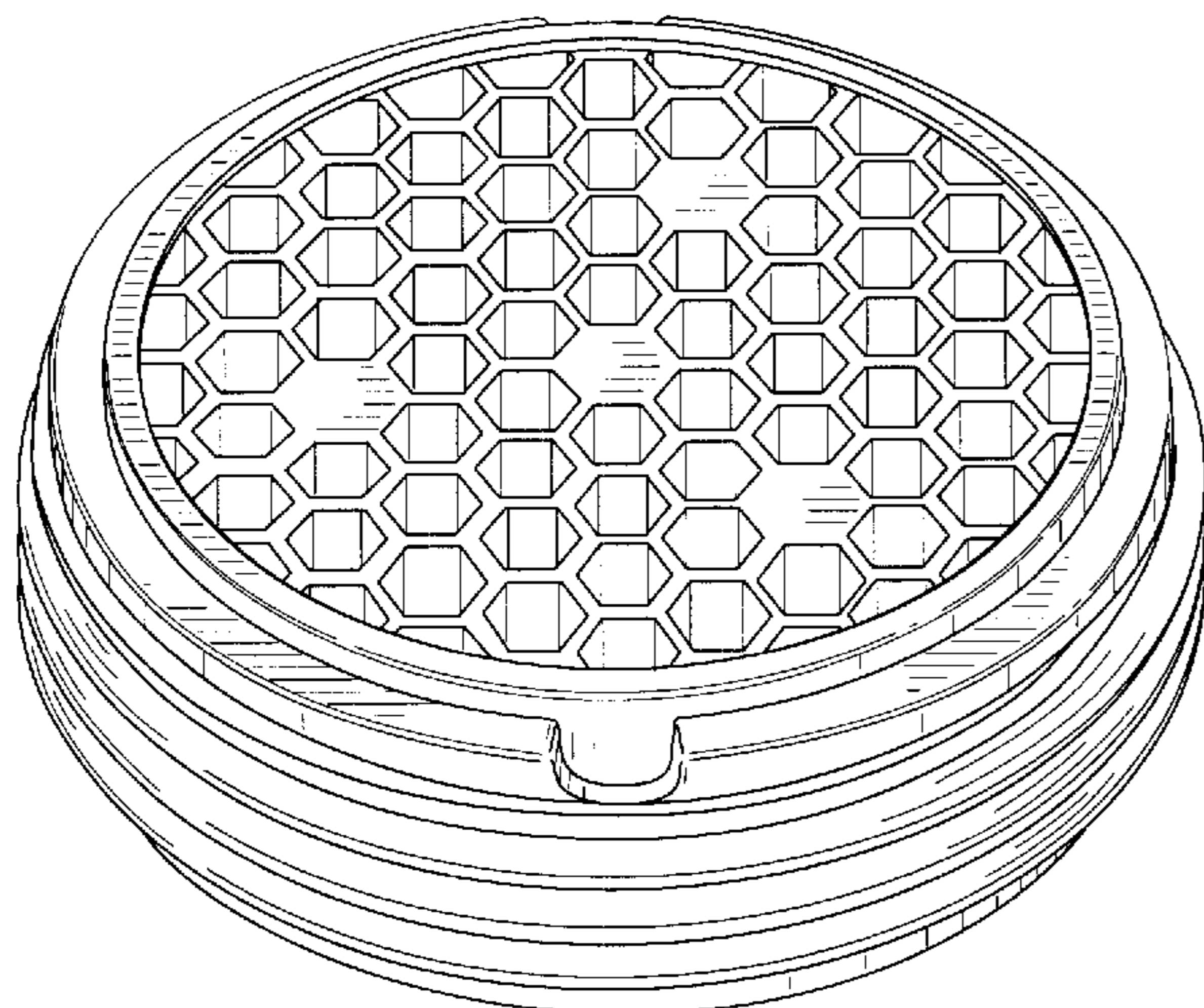
The broken lines in the Figures are for illustrative purposes only and forms no part of the claimed design.

(56) **References Cited**

U.S. PATENT DOCUMENTS

D199,112 S * 9/1964 Williams D23/213
D235,772 S * 7/1975 Saporito D23/213

1 Claim, 5 Drawing Sheets



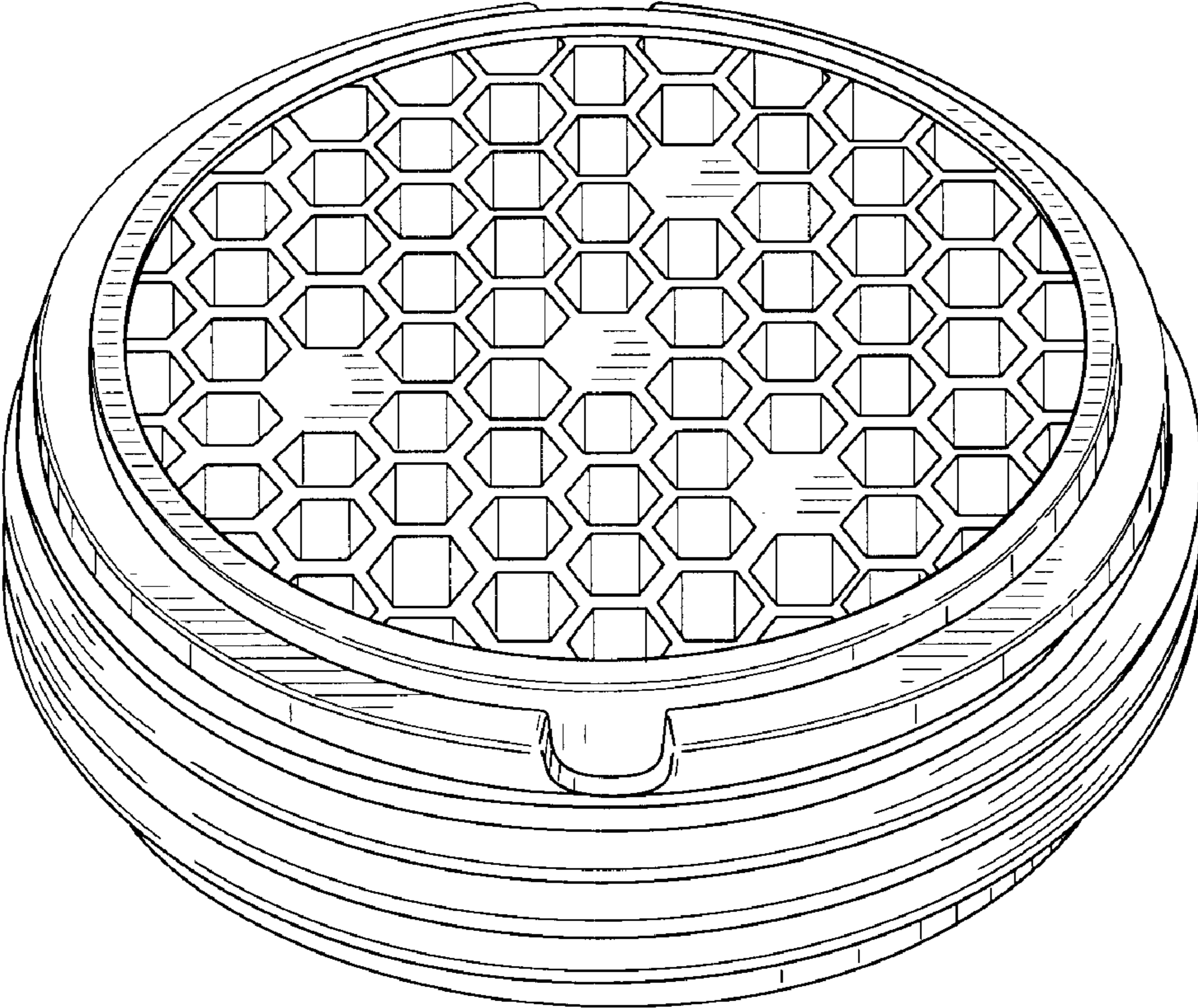


FIG. 1

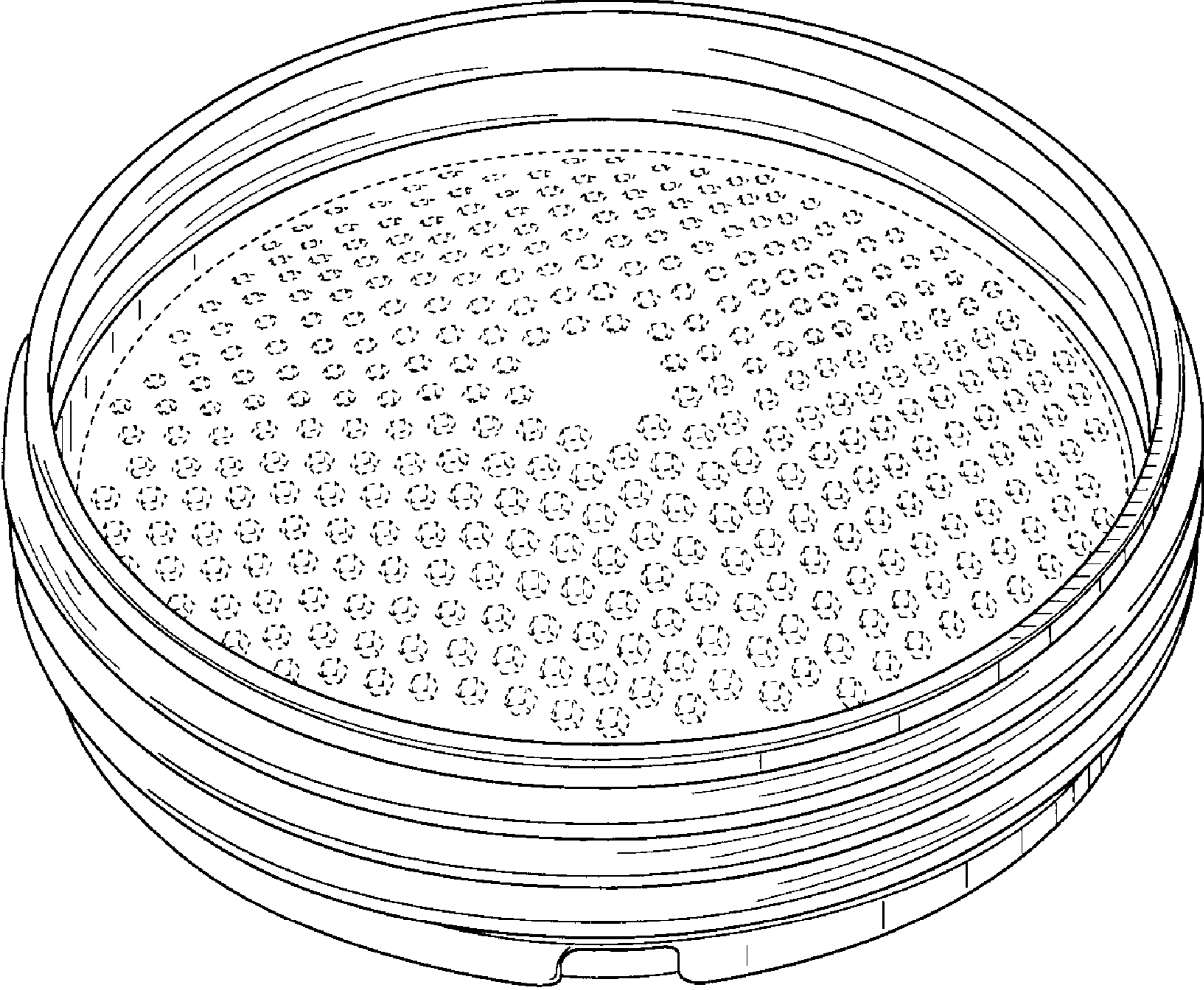


FIG. 2

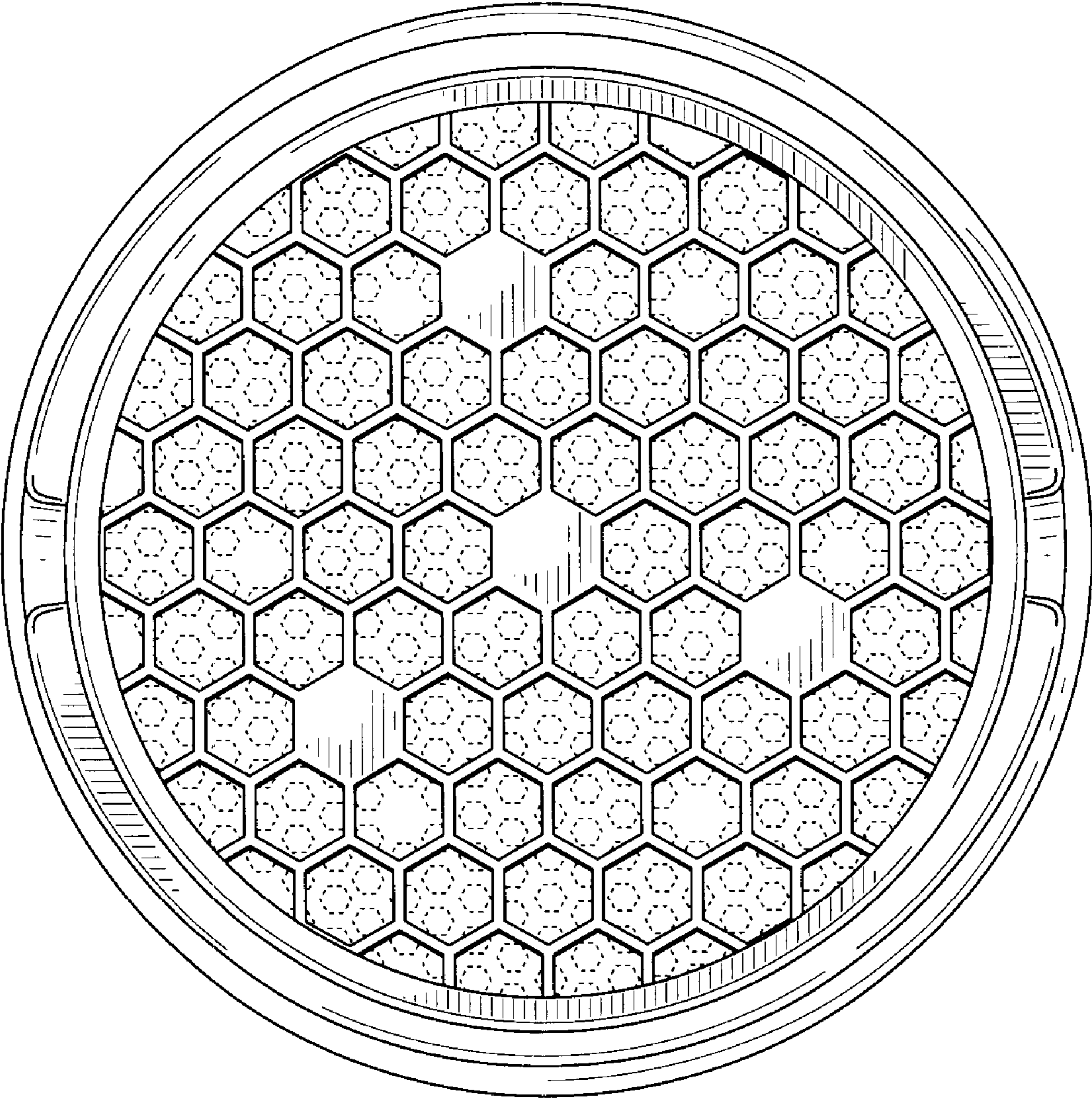


FIG. 3

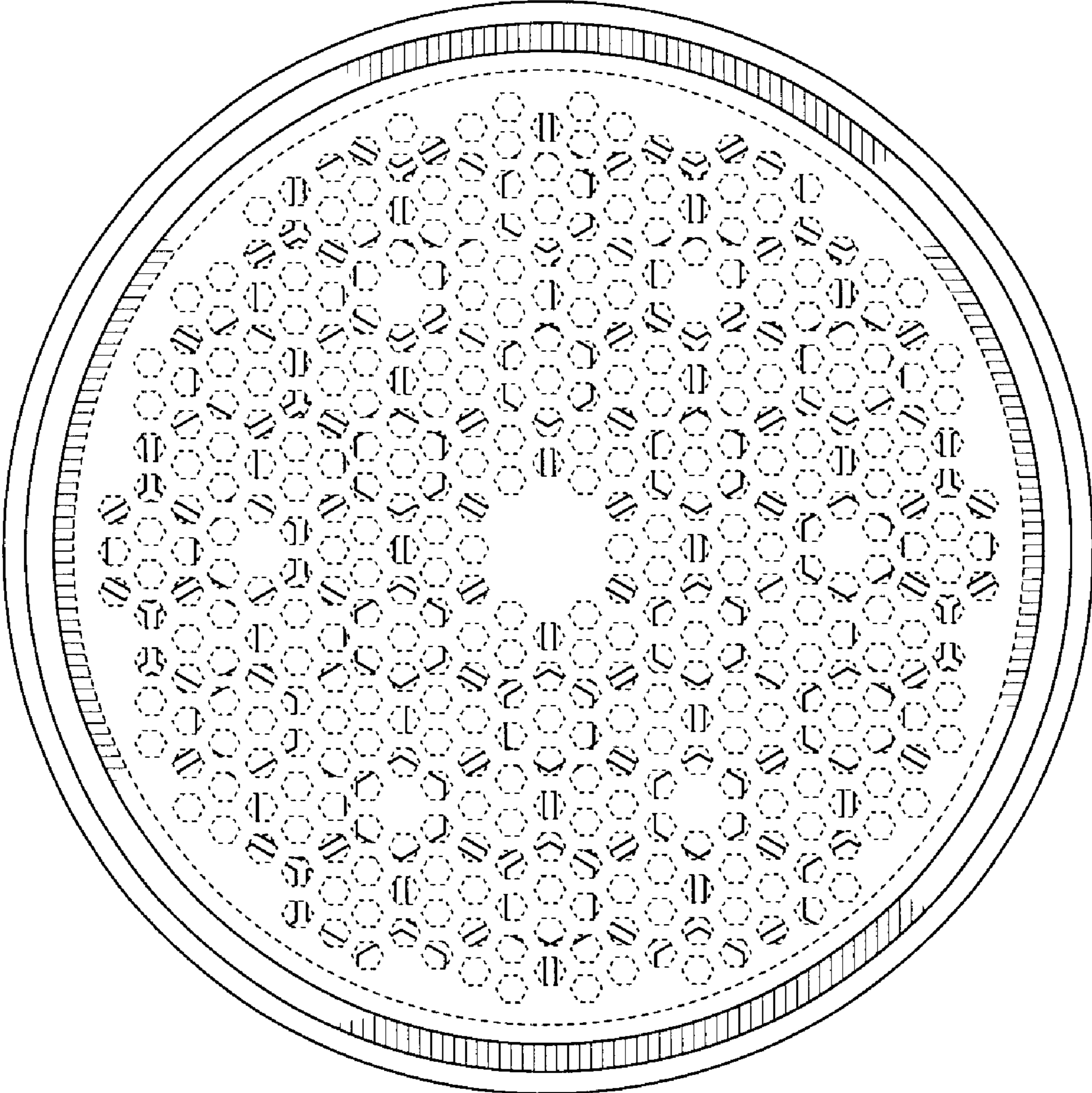


FIG. 4

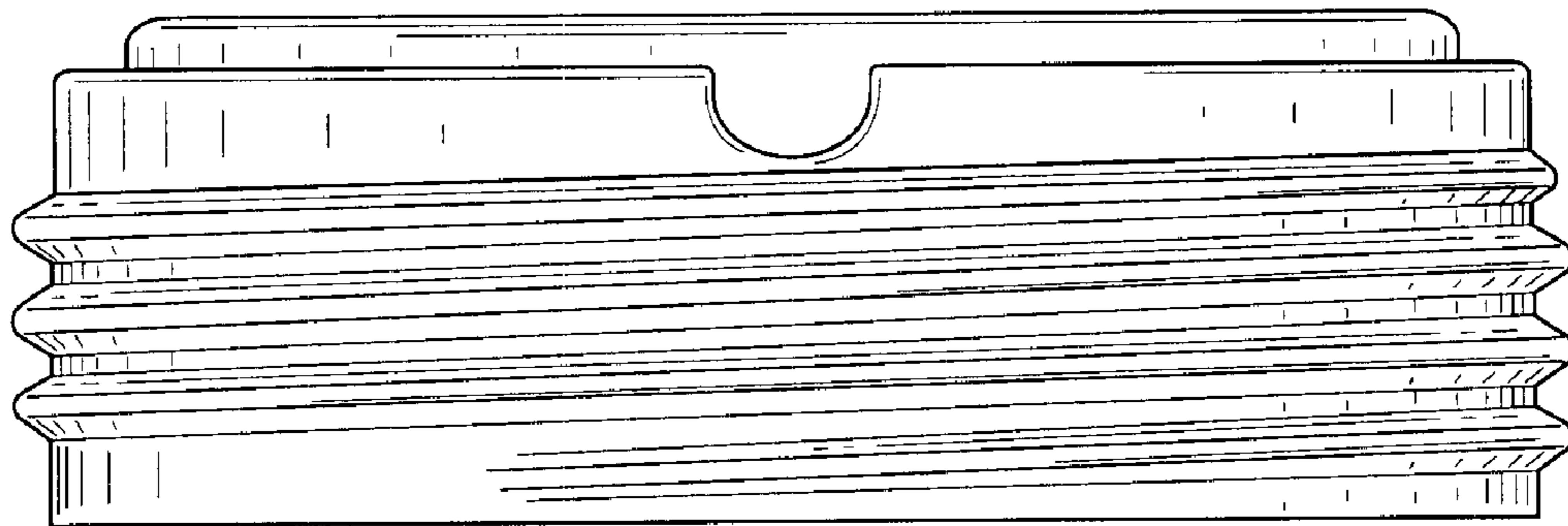


FIG. 5