



US00D516180S

(12) **United States Design Patent**
Ouyoung

(10) **Patent No.:** **US D516,180 S**

(45) **Date of Patent:** **** Feb. 28, 2006**

(54) **FAUCET BODY**

(75) **Inventor:** **Scott Ouyoung**, Taichung (TW)

(73) **Assignee:** **Globe Union Industrial Corp.**,
Taichung (TW)

(**) **Term:** **14 Years**

(21) **Appl. No.:** **29/195,621**

(22) **Filed:** **Dec. 16, 2003**

(51) **LOC (8) Cl.** **23-01**

(52) **U.S. Cl.** **D23/249**

(58) **Field of Classification Search** D23/238-257,
D23/259-264; 4/675-678; 137/801

See application file for complete search history.

(56) **References Cited**

U.S. PATENT DOCUMENTS

- D232,552 S * 8/1974 Watson D23/263
- D250,272 S * 11/1978 Jones D23/241
- D324,410 S * 3/1992 Haug et al. D23/241

- D347,271 S * 5/1994 Inda et al. D23/263
- D351,218 S * 10/1994 Sieger D23/241
- D403,739 S * 1/1999 Donaldson D23/207
- D437,031 S * 1/2001 Nguyen et al. D23/238

* cited by examiner

Primary Examiner—Louis S. Zarfes

Assistant Examiner—Gregory Andoll

(74) *Attorney, Agent, or Firm*—Troxell Law Office, PLLC

(57) **CLAIM**

The ornamental design for a faucet body, as show and described.

DESCRIPTION

FIG. 1 is a top, left, front, perspective view of a faucet body showing my new design;

FIG. 2 is a front elevational view thereof;

FIG. 3 is a rear elevational view thereof;

FIG. 4 is a left elevational view thereof;

FIG. 5 is a right elevational view thereof; and,

FIG. 6 is a top plan view thereof.

1 Claim, 5 Drawing Sheets

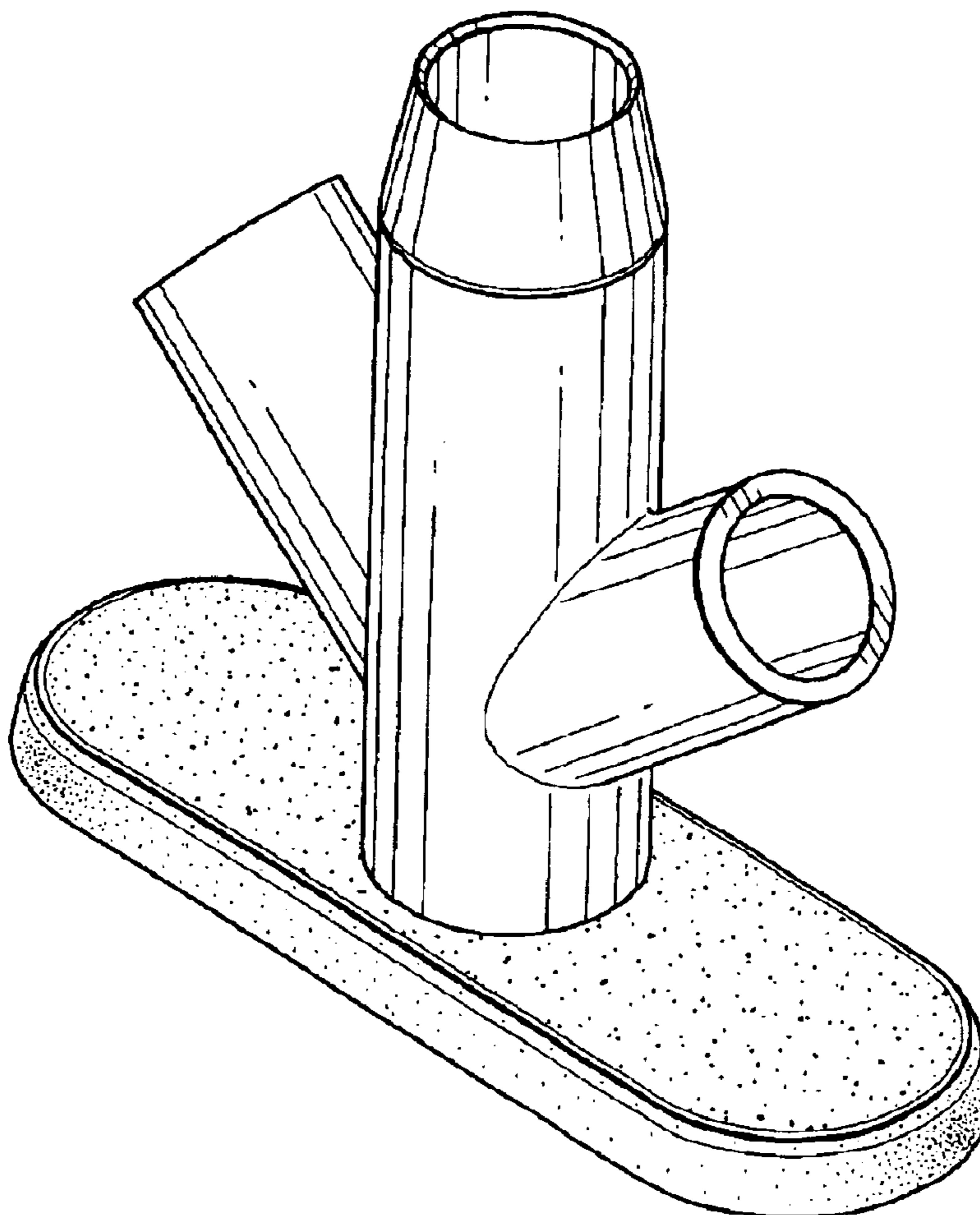
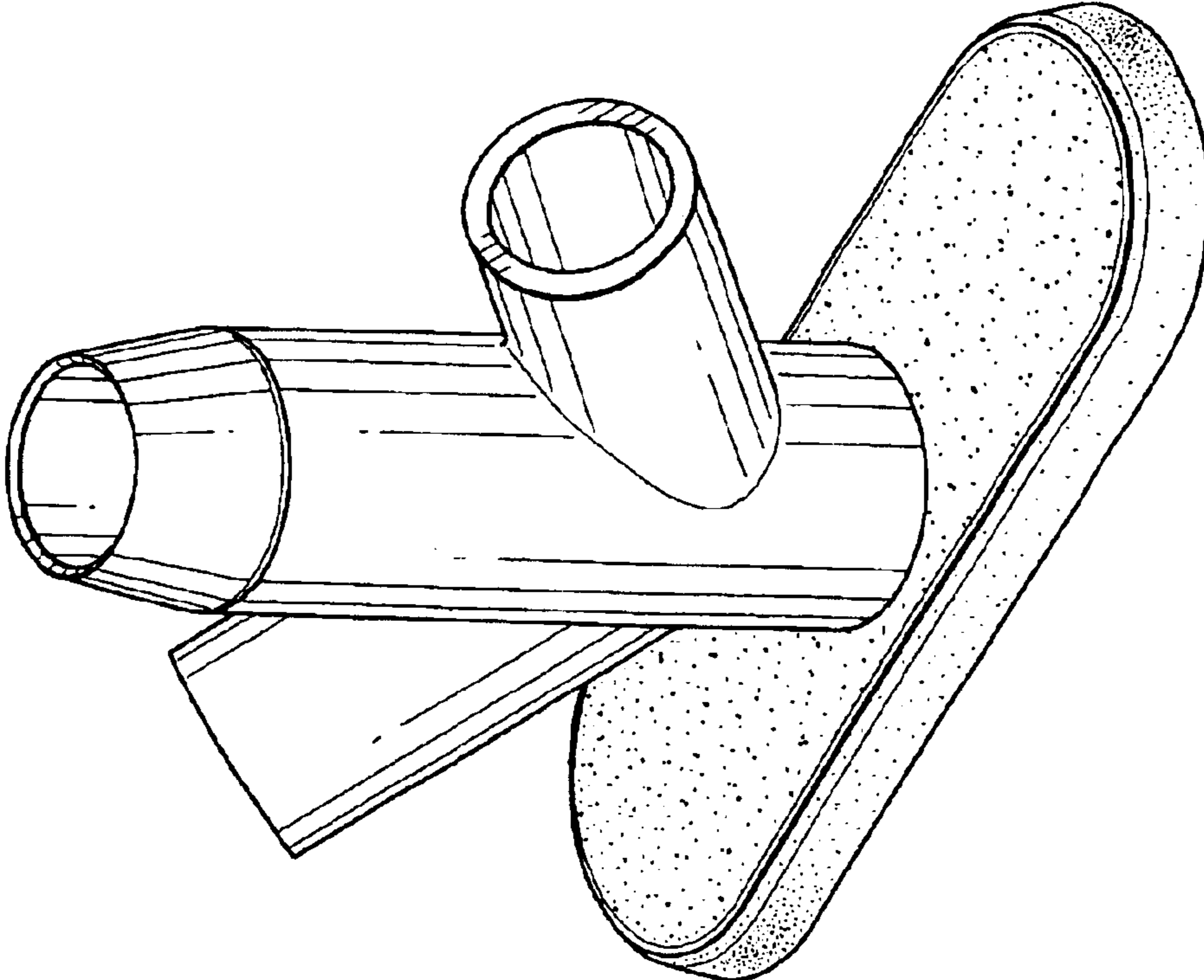


FIG. 1



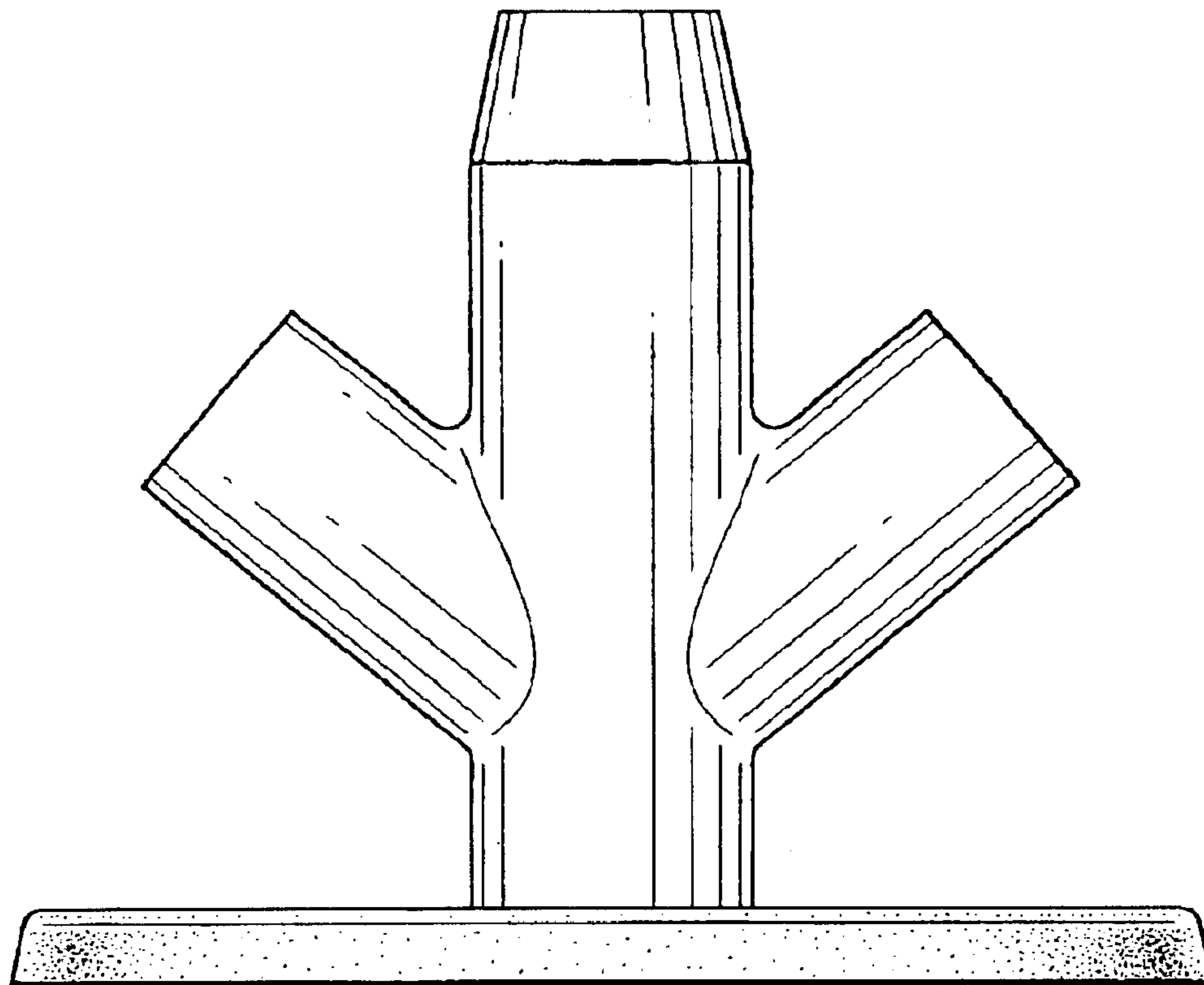


FIG. 2

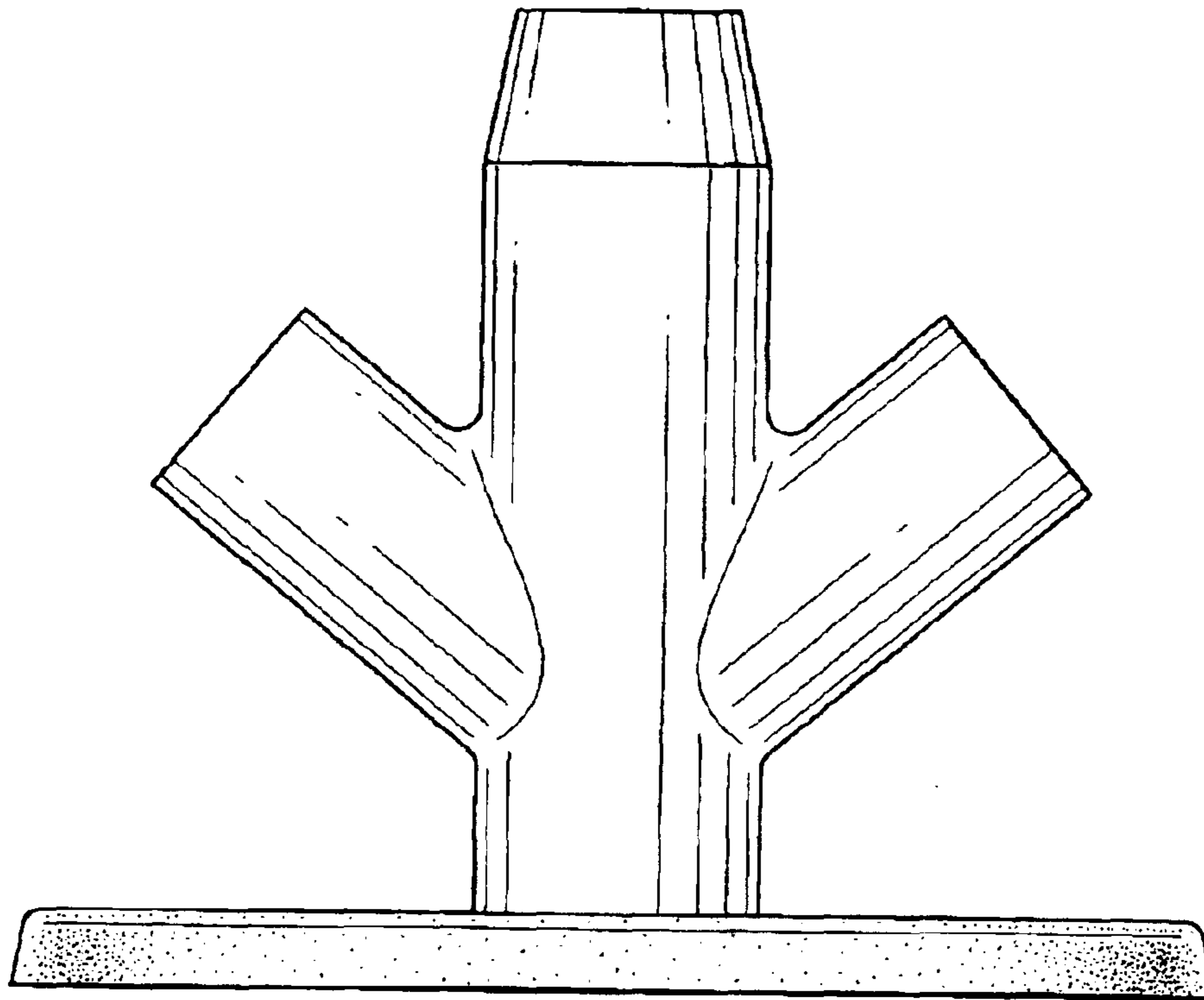


FIG. 3

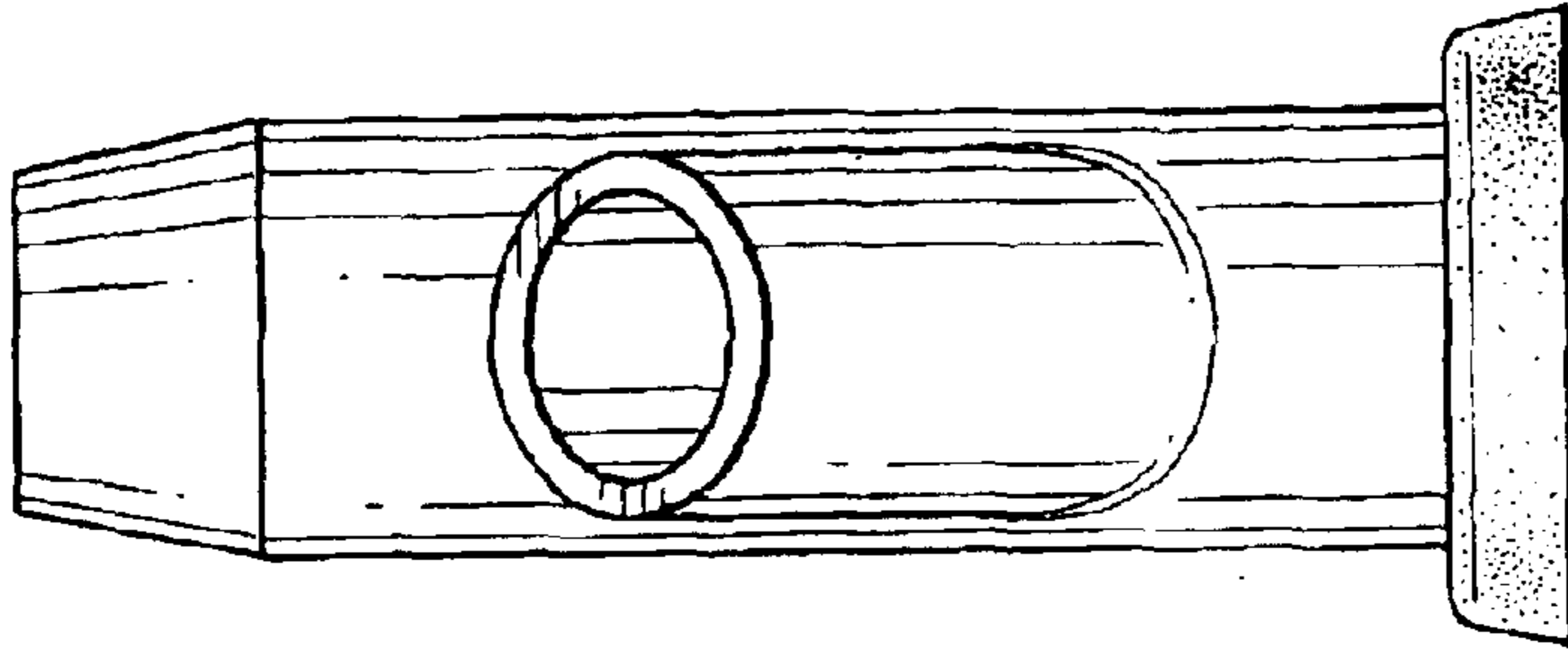


FIG. 5

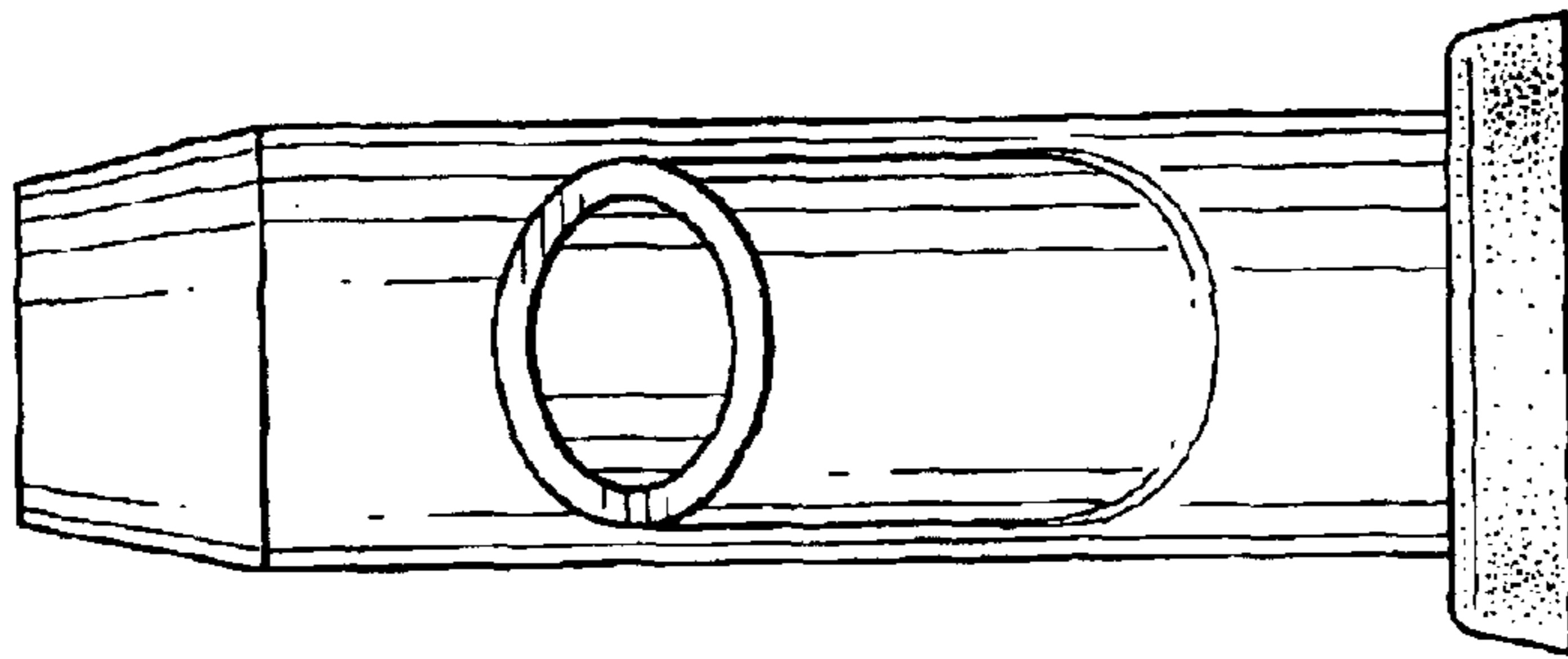


FIG. 4

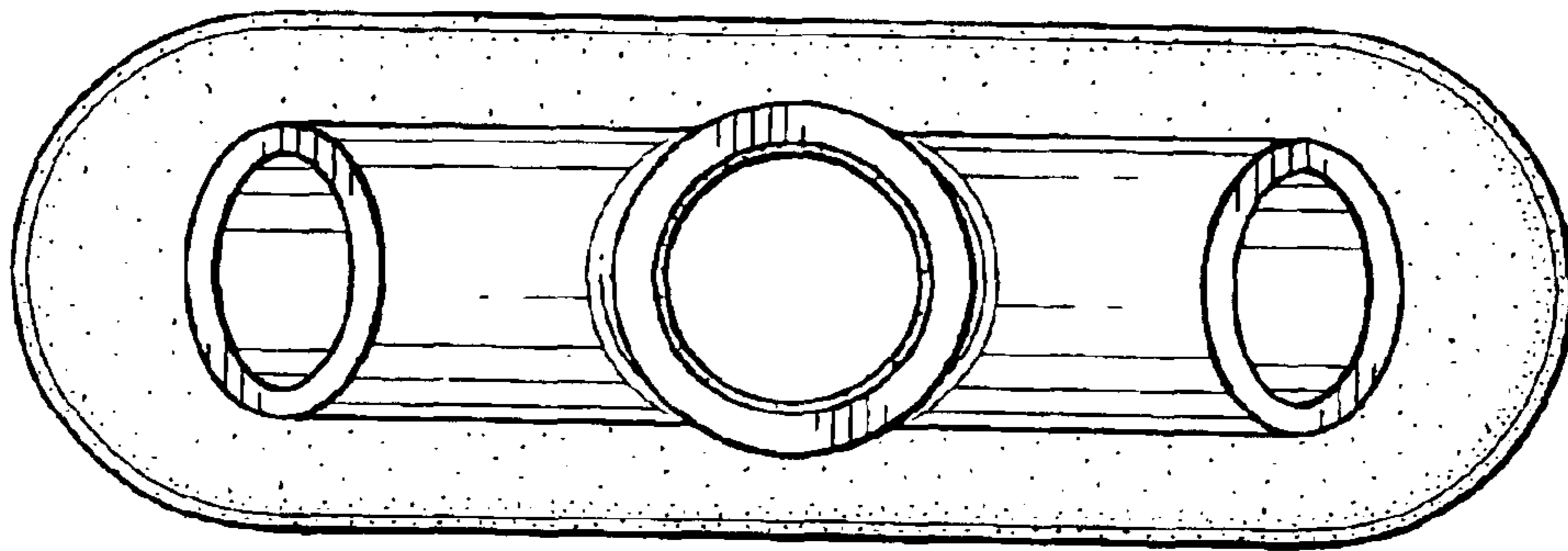


FIG. 6